

SIDE MIRRORS KIT



P/N 2884524

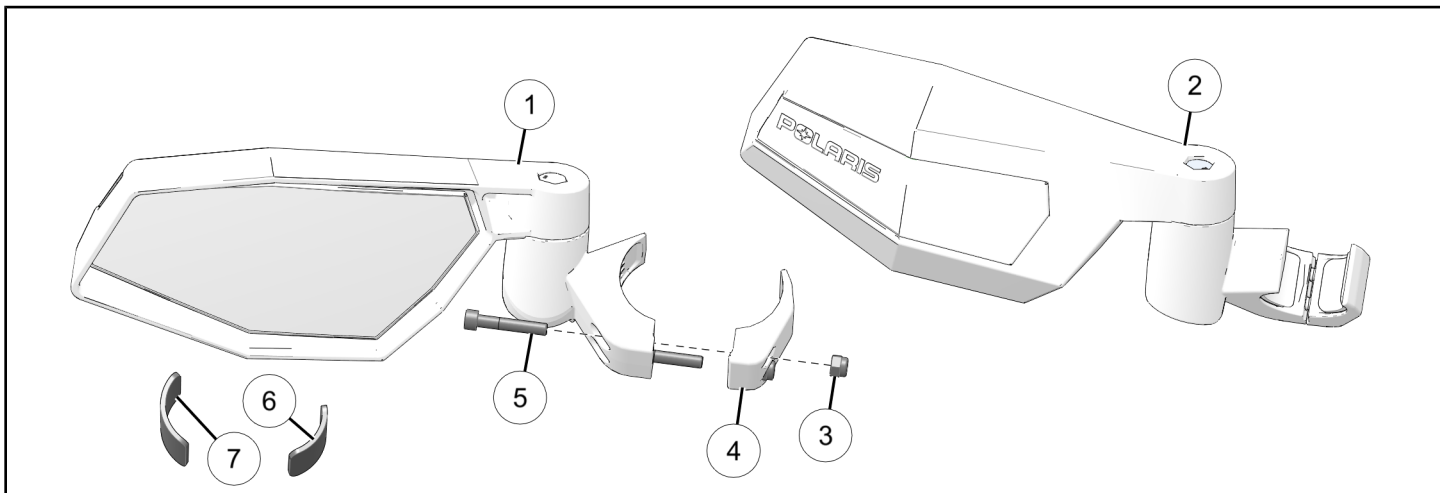
BEFORE YOU BEGIN

Read these instructions and check to be sure all parts and tools are accounted for. Please retain these installation instructions for future reference and parts ordering information.

APPLICATION

Verify accessory fitment at www.polaris.com.

KIT CONTENTS



REF	QTY	PART DESCRIPTION	P/N AVAILABLE SEPARATELY	AVAILABLE SERVICE KIT
1	1	Assembly–Mirror, Left-Hand	n/a	n/a
2	1	Assembly–Mirror, Right-Hand	n/a	n/a
3	4	Nut–Nylon Locking, M6	n/a	2208575
4	2	Clamp–Mirror, Lower	n/a	n/a
5	4	Screw–Socket Head, M6 x 1.0 x 35 mm	n/a	2208575
6	2	Pad–Rubber, Lower Clamp	n/a	2208575
7	2	Pad–Rubber, Upper Clamp	n/a	2208575
8	2	Disk–Notched (not shown)	n/a	2208575

TOOLS REQUIRED

- Safety Glasses
- Hex Key Set, Metric
- Socket Set, Hex Bit, Metric
- Torque Wrench

IMPORTANT

Your Side Mirrors Kit is exclusively designed for your vehicle. Please read the installation instructions thoroughly before beginning. Installation is easier if the vehicle is clean and free of debris. For your safety, and to ensure a satisfactory installation, perform all installation steps correctly in the sequence shown.

INSTALLATION INSTRUCTIONS

VEHICLE PREPARATION

GENERAL

1. Park vehicle on a flat surface.
2. Shift vehicle into PARK.
3. Turn key to OFF position and remove key.

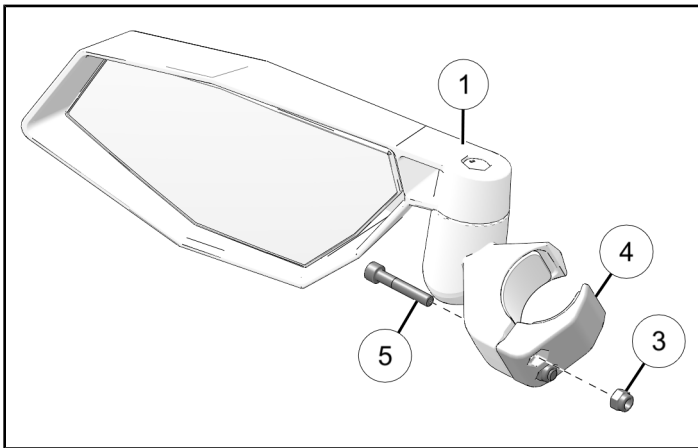
ACCESSORY INSTALLATION

NOTICE

Left-hand mirror shown; right-hand mirror similar.

1. Loosely assemble lower clamp ④ to mirror assembly ① with two bolts ⑤ and two nuts ③.

Do not torque bolts at this time.



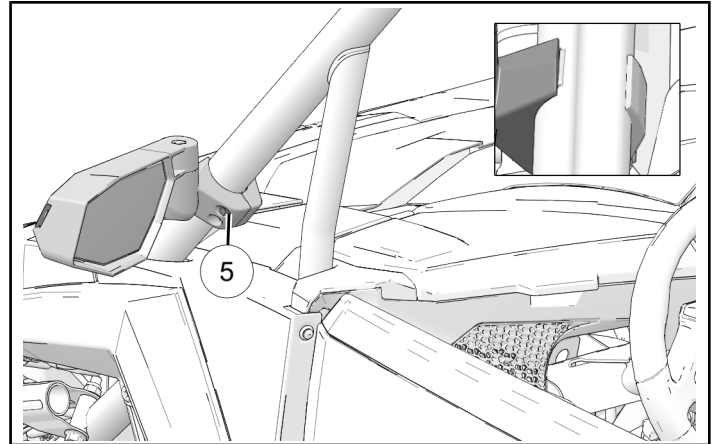
2. Put mirror assembly around forwardmost roll cage tube. Set mirror at desired height and torque two bolts to specification.

TIP

Make sure mirror clamps do not overlap channel in roll cage tube.

TORQUE

Mirror Bolts ⑤:
13 ft-lbs (18 N·m)



INSTRUCTION FEEDBACK FORM

A feedback form has been created for the installer to provide any comments, questions or concerns about the installation instructions. The form is viewable on mobile devices by scanning the QR code or by clicking [HERE](#) if viewing on a PC.

