

HEATER KIT



P/N 2884523

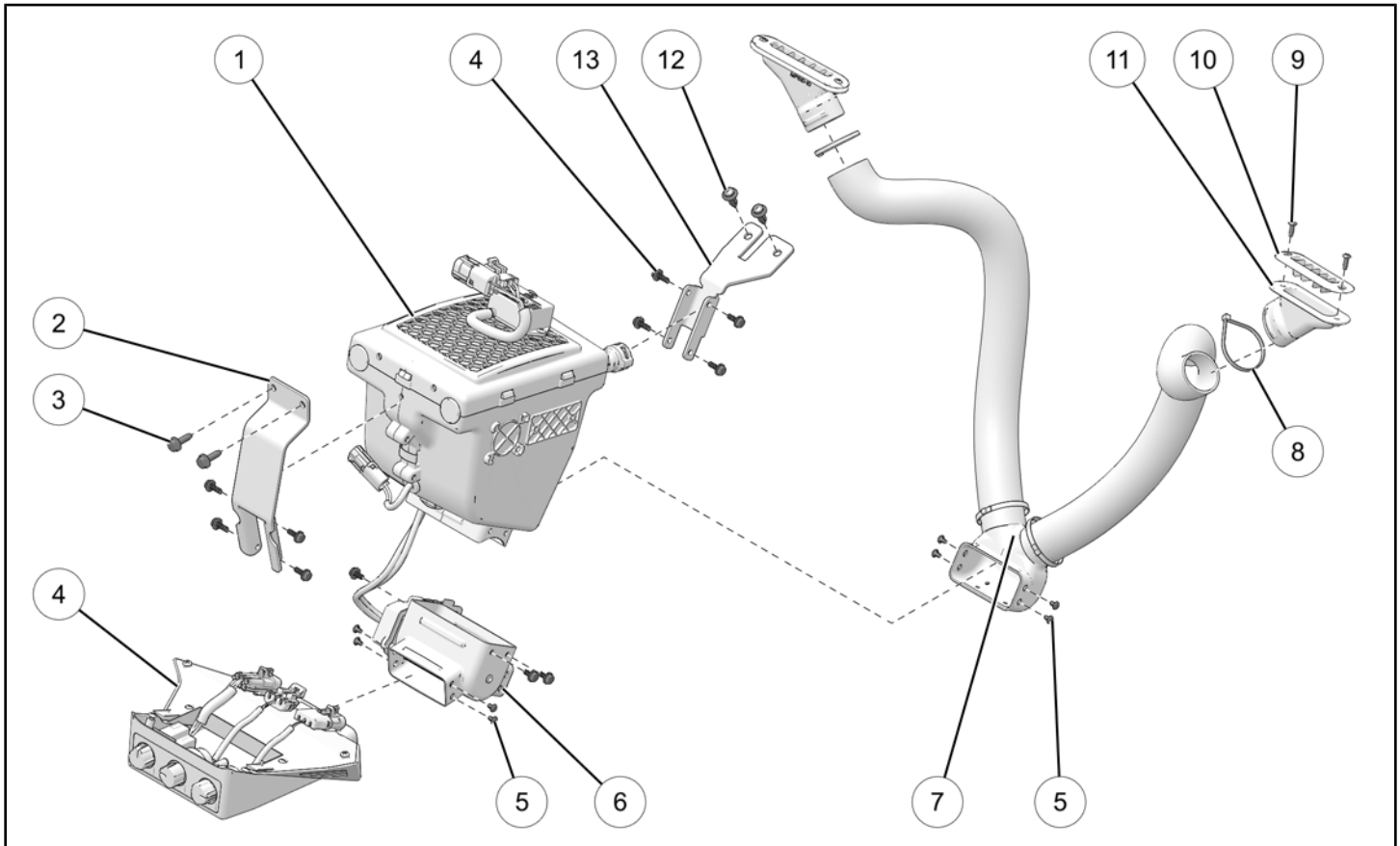
BEFORE YOU BEGIN

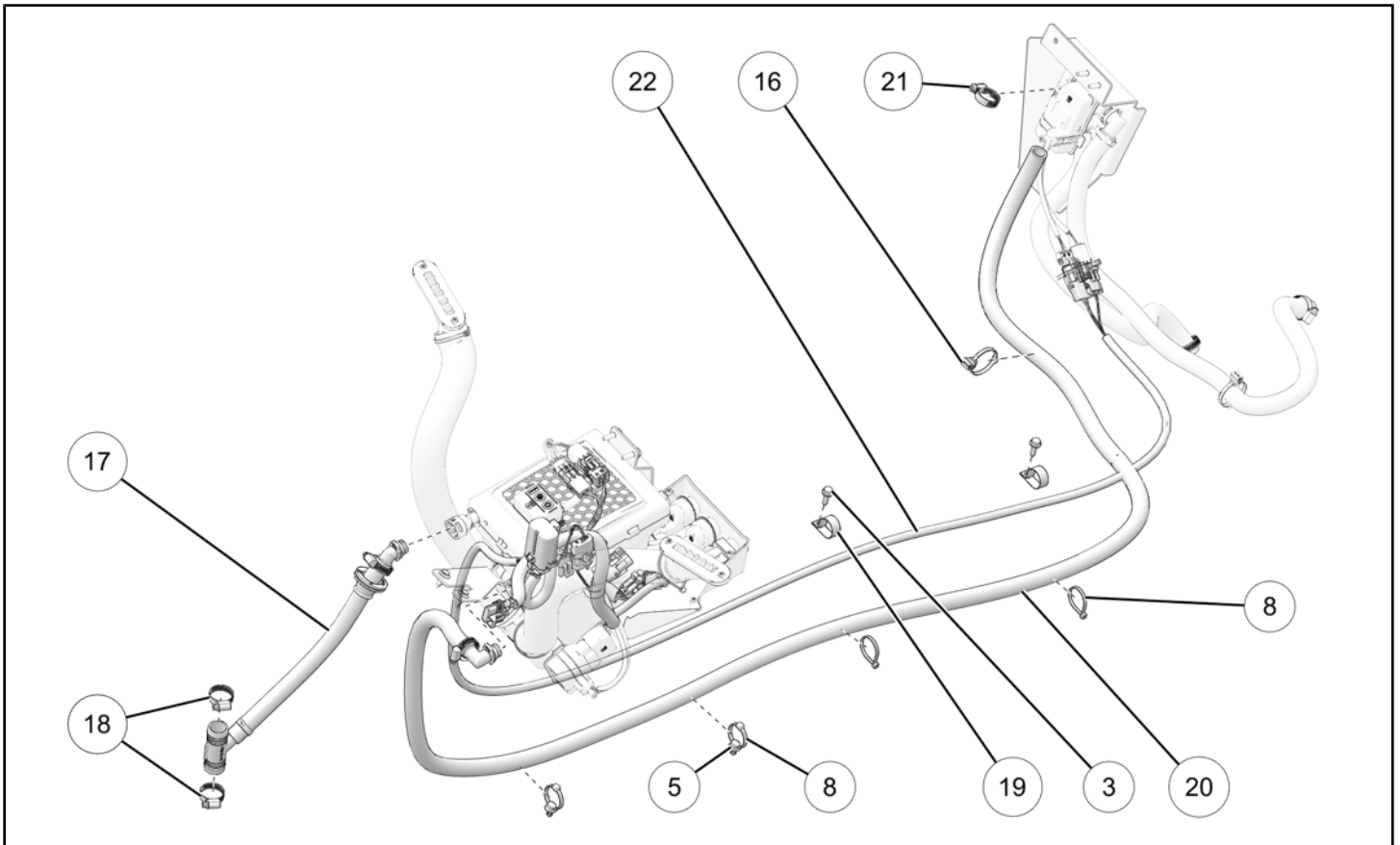
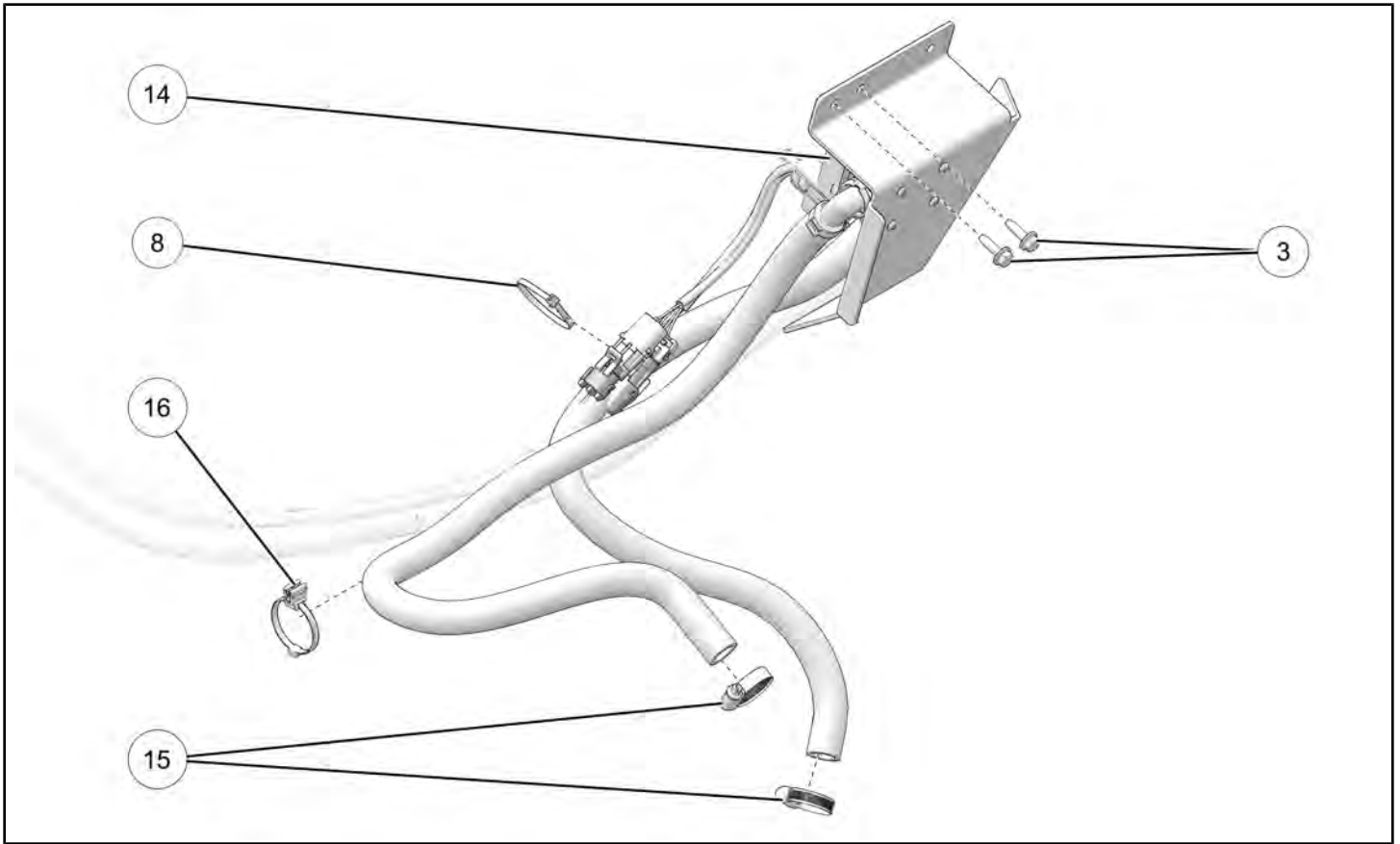
Read these instructions and check to be sure all parts and tools are accounted for. Please retain these installation instructions for future reference and parts ordering information.

APPLICATION

Verify accessory fitment at www.polaris.com.

KIT CONTENTS





REF	QTY	PART DESCRIPTION	P/N AVAILABLE SEPARATELY	AVAILABLE SERVICE KIT
1	1	Assembly–Heater	n/a	2415876
2	1	Bracket–Heater, Rear	n/a	n/a
3	8	Screw–Hex Head Flange, M6 x 1.0 x 20 mm	n/a	2208290
4	1	Assembly–Control Panel	n/a	2415995
5	10	Clip–Fir Tree	n/a	2208290
6	1	Assembly–Mode Control	n/a	2415877
7	1	Assembly–Flex Hose	n/a	2638364
8	15	Cable Tie	n/a	2208290
9	4	Screw–Pan Head, #8 x 1/2 in	n/a	2638303
10	2	Grille–Vented	n/a	2638303
11	2	Inlet–Vent	n/a	2638303
12	2	Rivet–Push, 5/16 in	n/a	2208290
13	1	Bracket–Heater, Front	n/a	n/a
14	1	Assembly–Electronic Temp Control	n/a	2415994
15	2	Clamp–Hose, 7/8 in	n/a	2208290
16	2	Clip–Edge	n/a	2208290
17	1	Assembly–Outlet Hose	n/a	2638363
18	2	Clamp–Hose, 1 1/2 in	n/a	2208290
19	4	P-clamp, 1 in	n/a	2208290
20	1	Assembly–Inlet Hose	n/a	2638363
21	1	Clamp–Hose, 1 in	n/a	2208290
22	1	Harness–Heater	2415743	n/a

TOOLS REQUIRED

- Safety Glasses
- Cutting Tool
- Deburring Tool
- Drain Pan
- Drill
- Drill Bit:
 - 5/16 in
 - 5/8 in
 - 1/4 in
- Hole Saw:
 - 1-1/4 in
- Pliers, Hose Pinch-Off
- Pliers, Push Pin Rivet
- Pliers, Side Cutting
- Service Manual
- Socket Set, Metric
- Socket Set, Torx® Bit
- Torque Wrench
- Wrench Set, Metric

CONSUMABLES REQUIRED

- Antifreeze, POLARIS 50/50 Premix, 2-4 quarts
- Cleaning Solution (99% water + 1% mild dishwashing detergent)
- Isopropyl Alcohol (IPA)
- Gloves, Chemical Resistant
- Silicone Lubricant
- Solvent Wipe (99% Isopropyl Alcohol)

IMPORTANT

Your Heater Kit is exclusively designed for your vehicle. Please read the installation instructions thoroughly before beginning. Installation is easier if the vehicle is clean and free of debris. For your safety, and to ensure a satisfactory installation, perform all installation steps correctly in the sequence shown.

INSTALLATION INSTRUCTIONS

VEHICLE PREPARATION

GENERAL

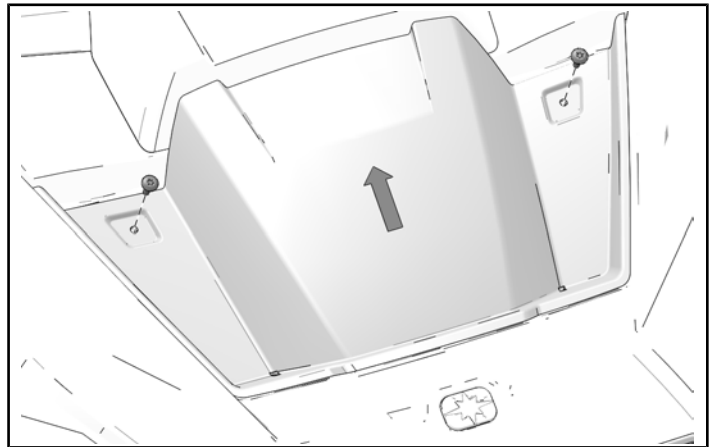
1. Park vehicle on a flat surface.
2. Shift vehicle into PARK.
3. Turn key to OFF position and remove key.

COOLANT DRAINING

1. Refer to the *Service Manual* for procedures on draining the coolant.

HOOD REMOVAL

1. Remove and keep two hood fasteners. Move hood rearward to remove.

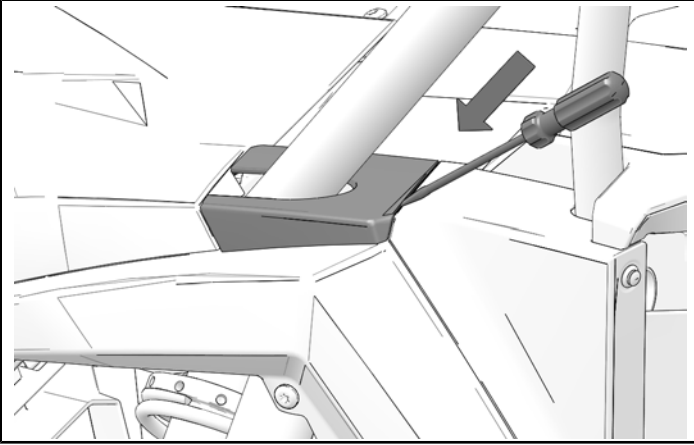


OUTER HOOD REMOVAL

1. Gently insert flat head screwdriver under rear seam of front pocket fender.

NOTICE

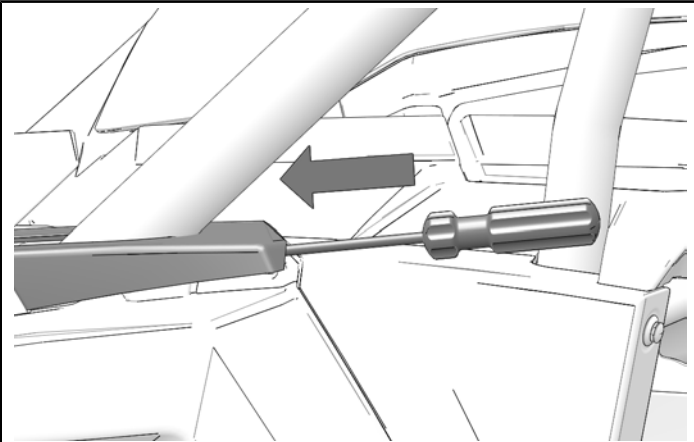
Left side shown, right side similar.



2. Slide flat head screwdriver under front pocket fender.

NOTICE

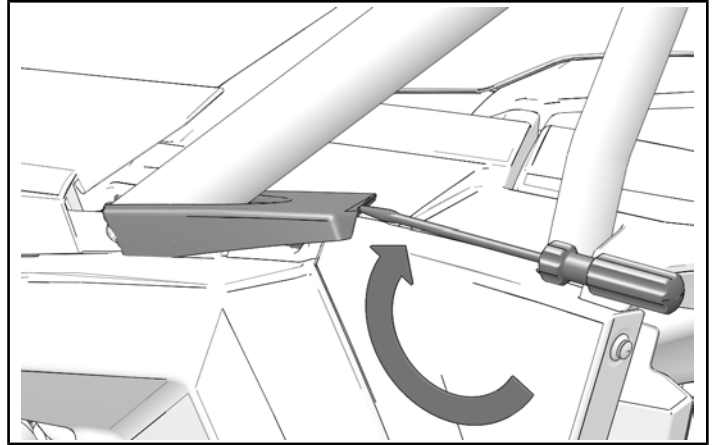
Left side shown, right side similar.



3. Gently lift screwdriver upward to free front pocket fender from clips.

NOTICE

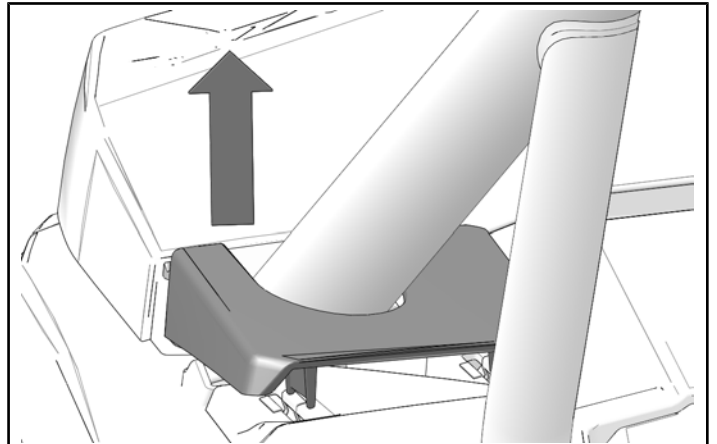
Left side shown, right side similar.



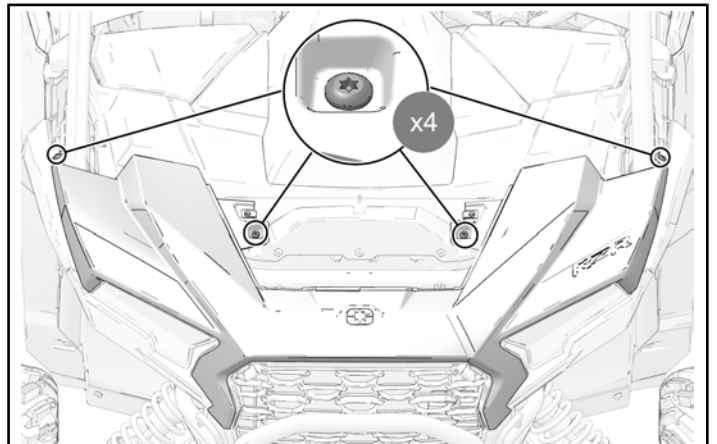
4. Remove and keep front pocket fender.

NOTICE

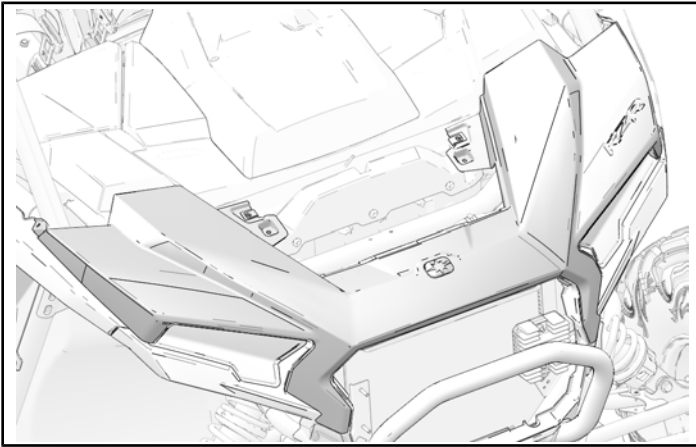
Left side shown, right side similar.



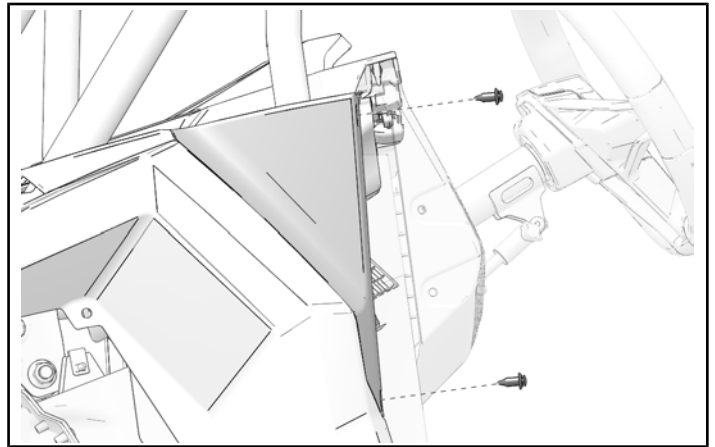
5. Remove and keep four outer hood fasteners.



6. Remove outer hood from vehicle.

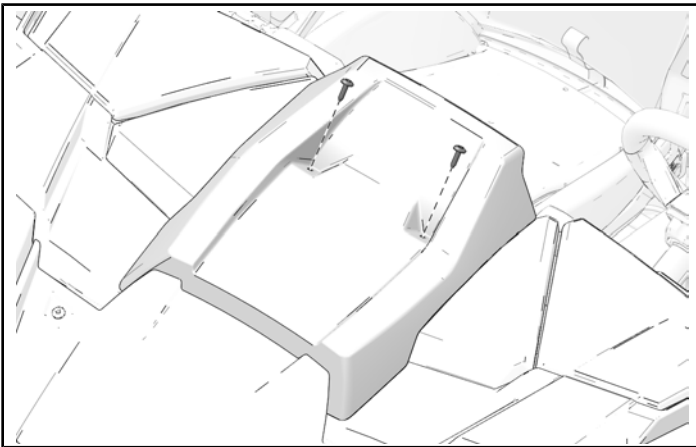


1. Remove two push-pin rivets from rear pocket fender.

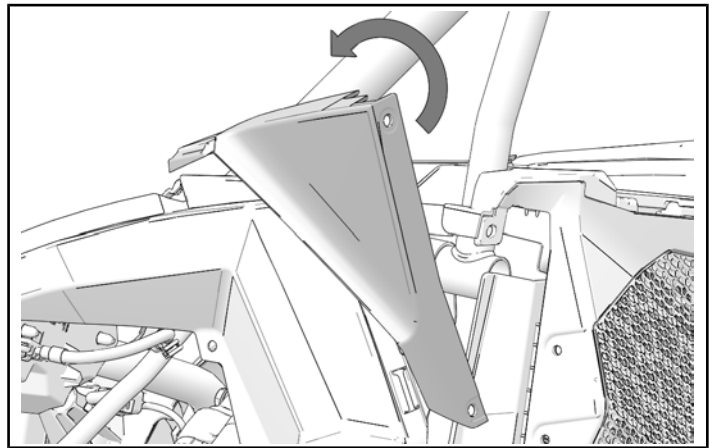


CENTER DASHBOARD REMOVAL

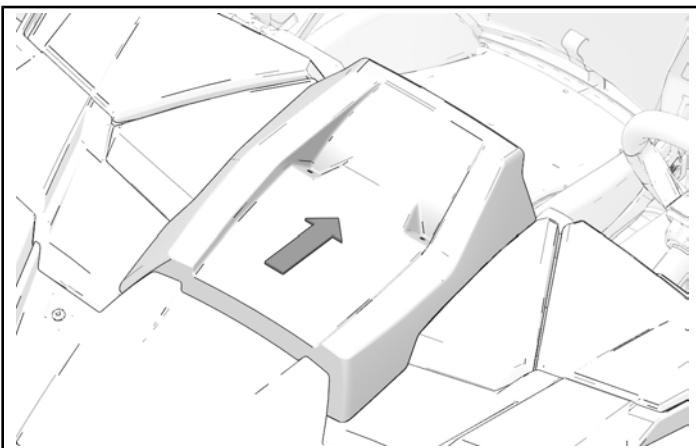
1. Remove and keep two dashboard fasteners.



2. Rotate rear pocket fender away from vehicle body and remove.

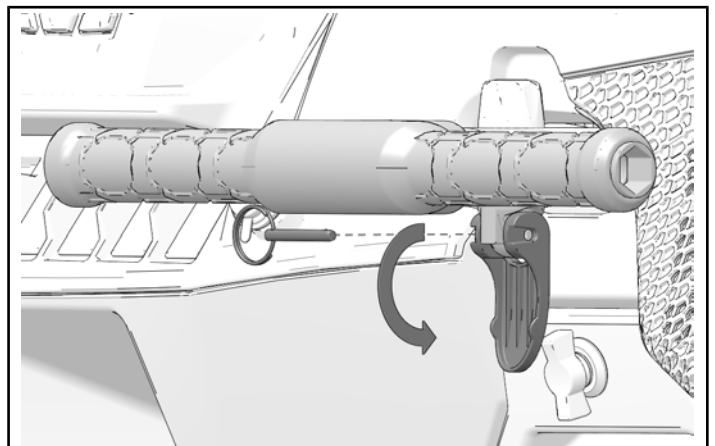


2. Pull panel rearward to remove.



PASSENGER HANDLE REMOVAL

1. Open lever and remove retaining pin.

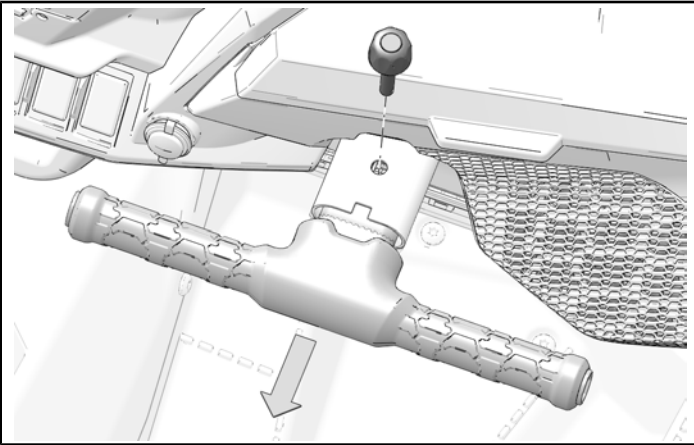


REAR POCKET FENDER REMOVAL

NOTICE

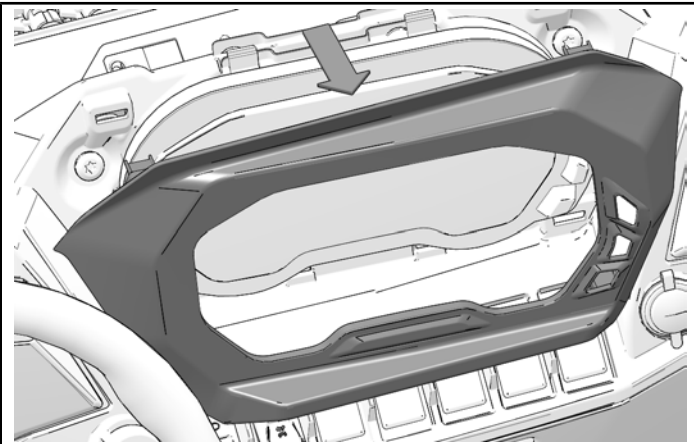
Left fender flare shown; right fender flare similar.

2. Remove top retaining pin to remove passenger handle.



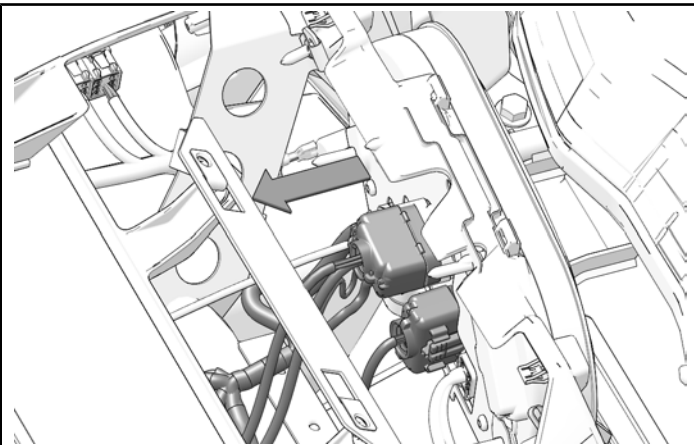
BEZEL COVER REMOVAL

1. Pull bezel cover outwards at each corner.



BEZEL REMOVAL

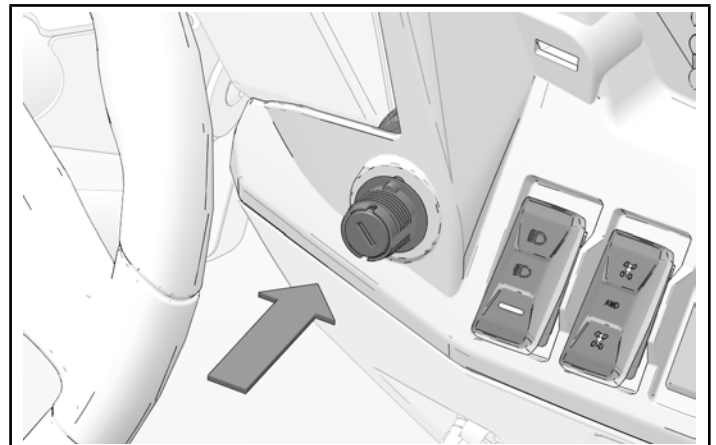
1. Disconnect instrument cluster.



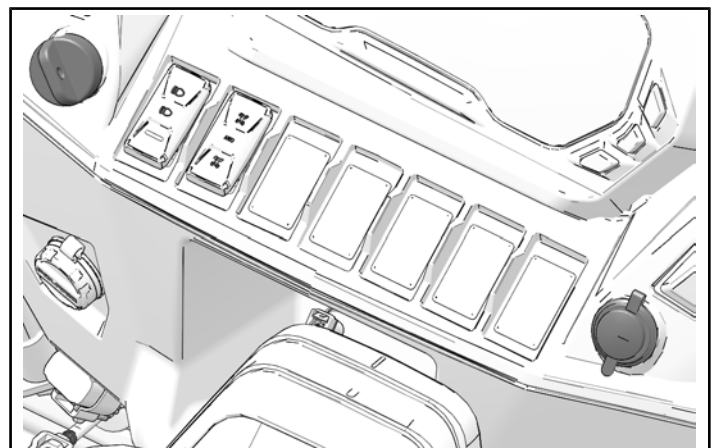
2. Remove and keep ignition switch retaining nut.



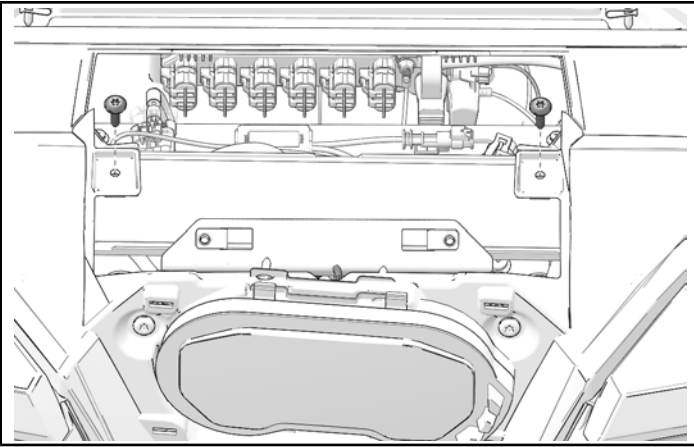
3. Push ignition switch through bezel.



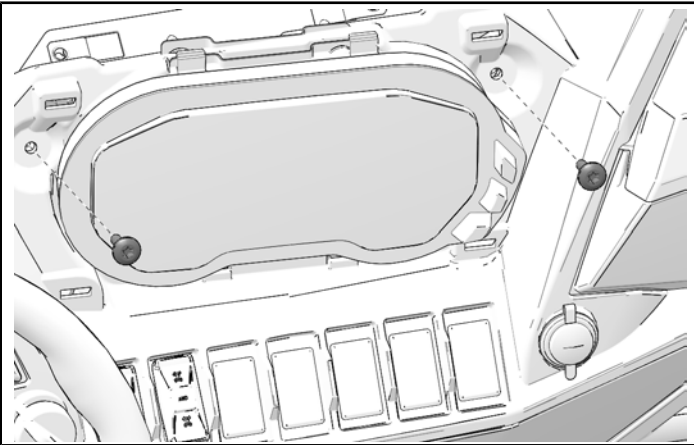
4. Disconnect 12V port on right-hand side, if installed.



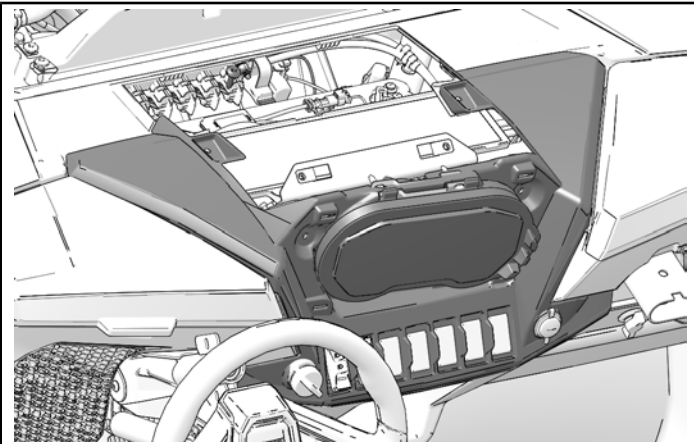
5. Remove and keep two top bezel fasteners.



6. Remove and keep two lower bezel fasteners.

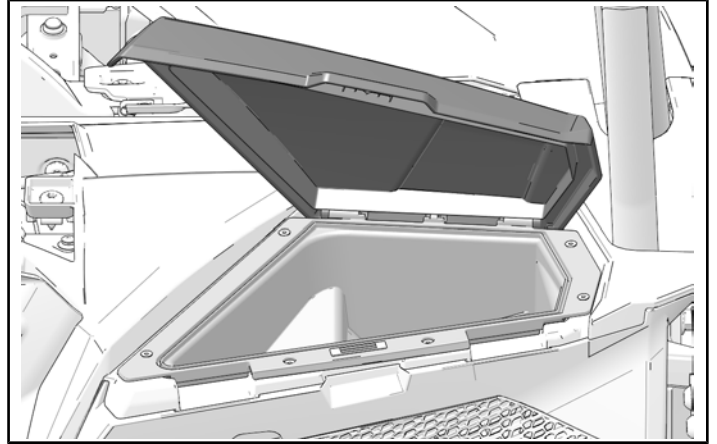


7. Carefully pull bezel away from dashboard. Reach behind bezel and disconnect all remaining electrical connections.

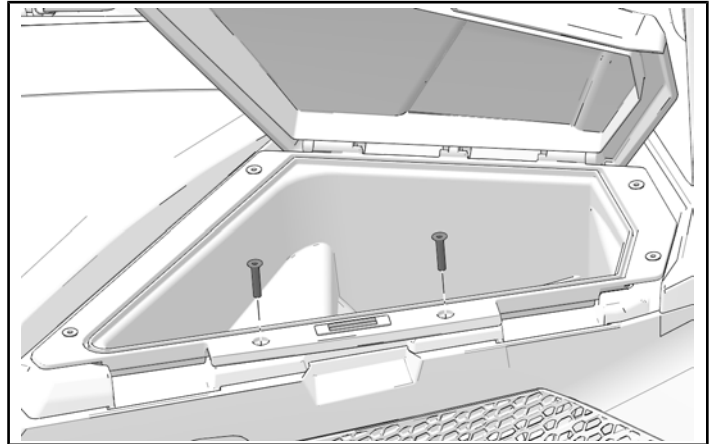


UPPER DASHBOARD REMOVAL

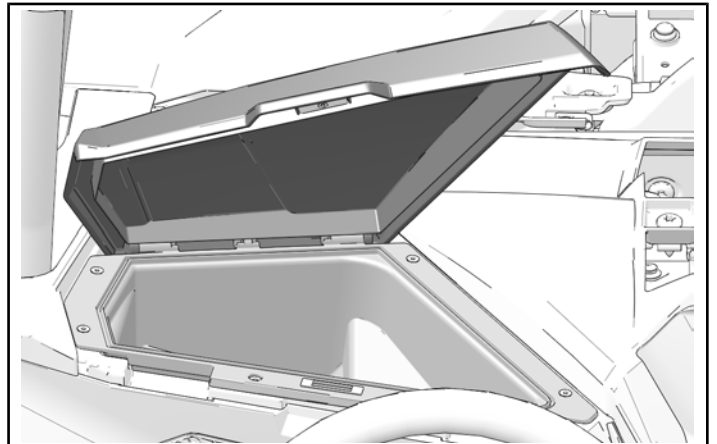
1. Open passenger storage compartment.



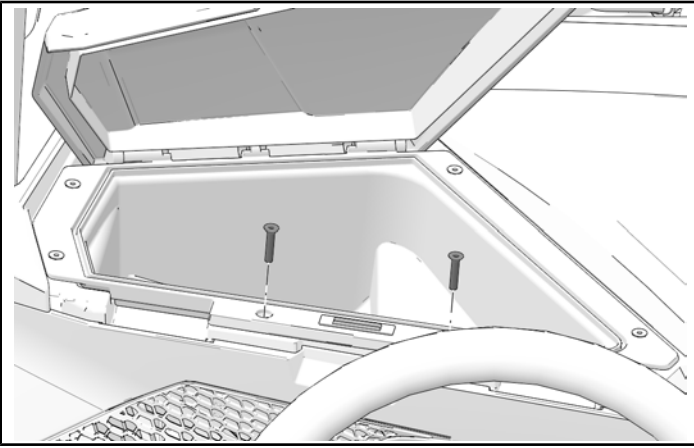
2. Remove and keep two storage compartment fasteners.



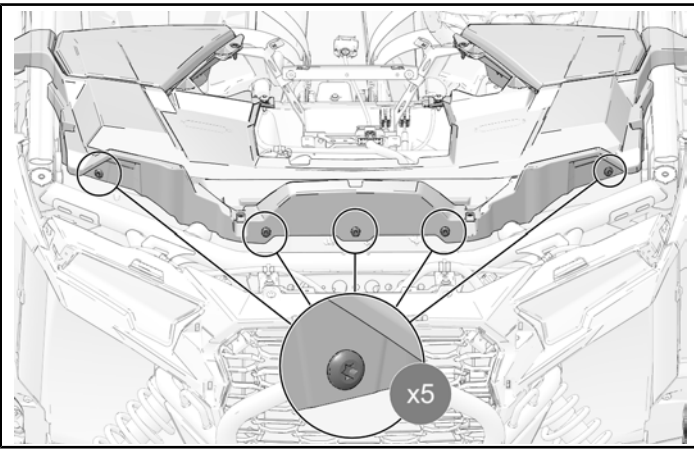
3. Open driver storage compartment.



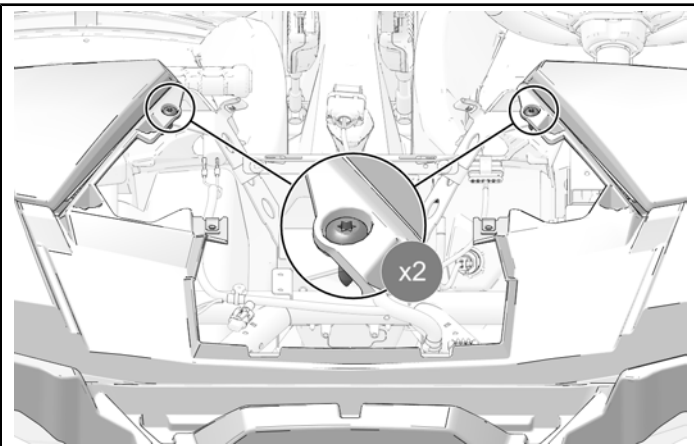
4. Remove and keep two storage compartment fasteners.



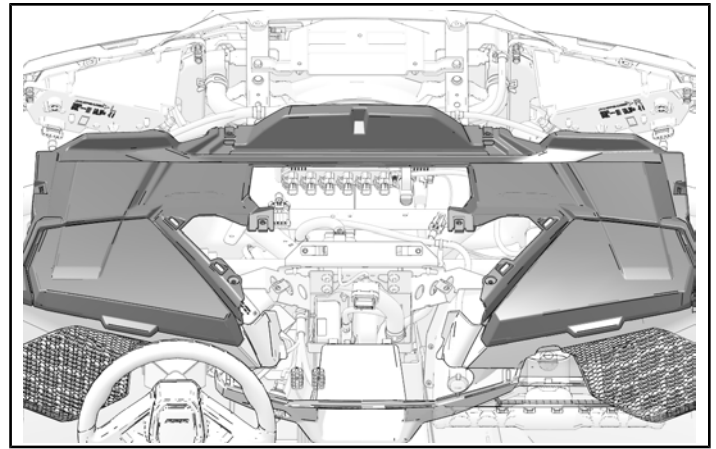
5. Remove and keep five fasteners from front of upper dashboard.



6. Remove and keep two fasteners from top of upper dashboard.

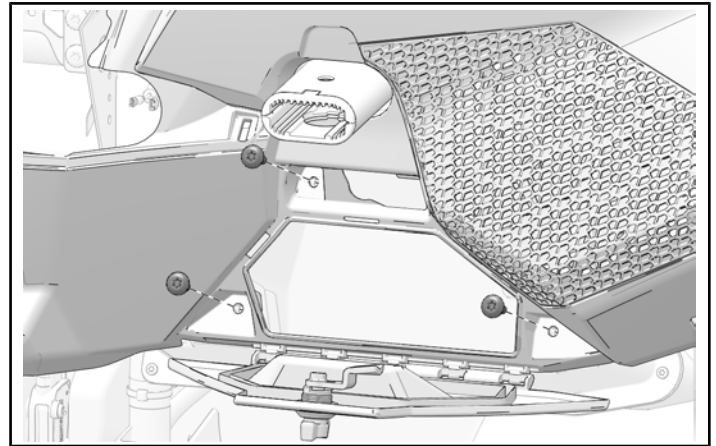


7. Remove upper dashboard panel from vehicle.

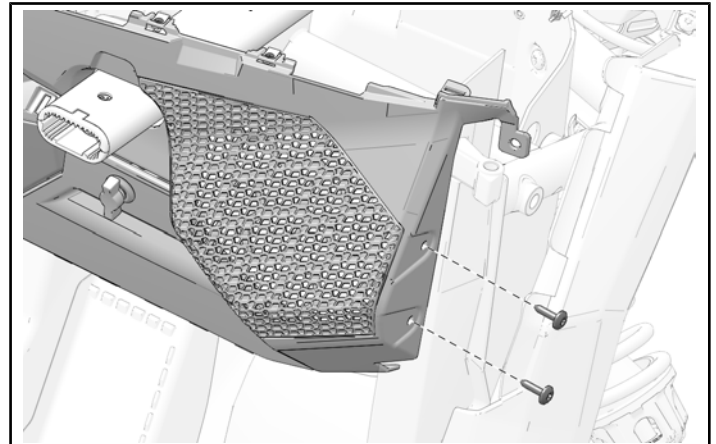


FRONT DASHBOARD REMOVAL

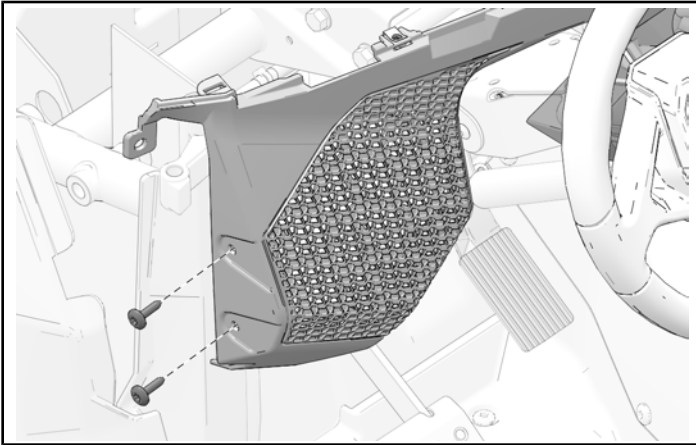
1. Open glove box and remove three fasteners.



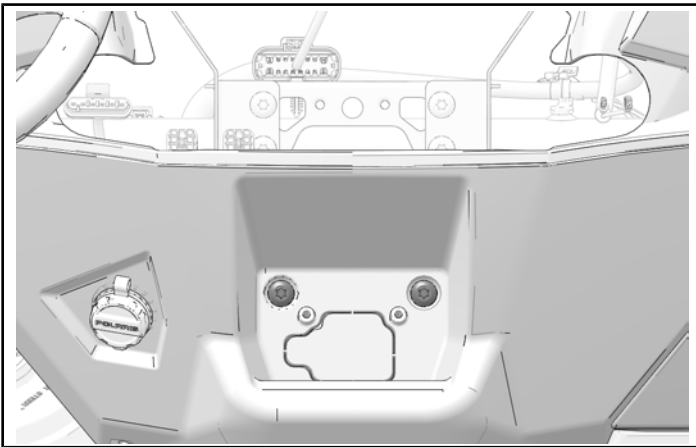
2. Remove and keep two fasteners from front dashboard.



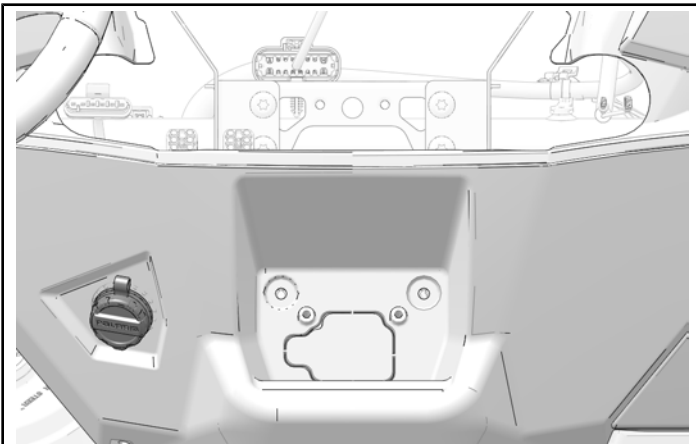
3. Remove and keep two fasteners from front dashboard.



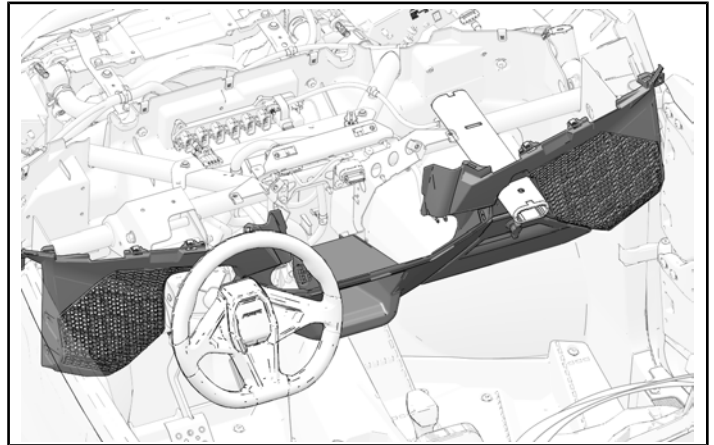
4. Remove two fasteners from front dashboard compartment.



5. Disconnect accessory power port on left-hand side.

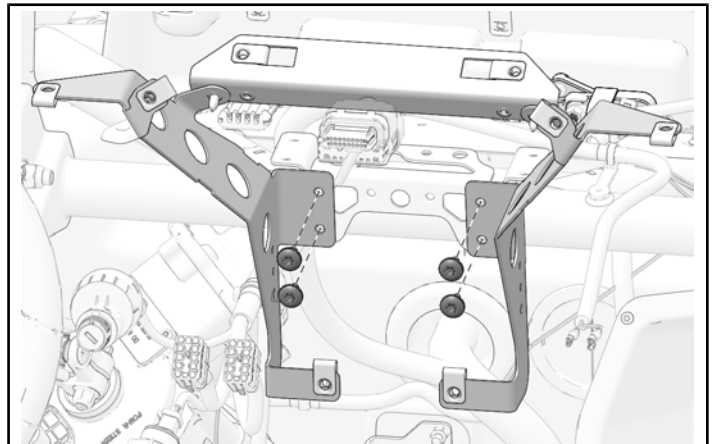


6. Remove dashboard from vehicle.



DASH SUPPORT BRACKET REMOVAL

1. Remove and keep four fasteners from dash support bracket.



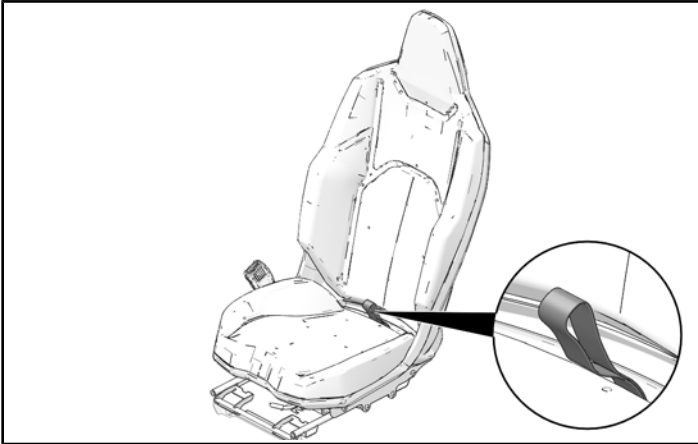
2. Move the dash support bracket to the side.

NOTICE

The dash support bracket may have wiring attached to it so it will not be fully removed from the vehicle.

SEAT REMOVAL

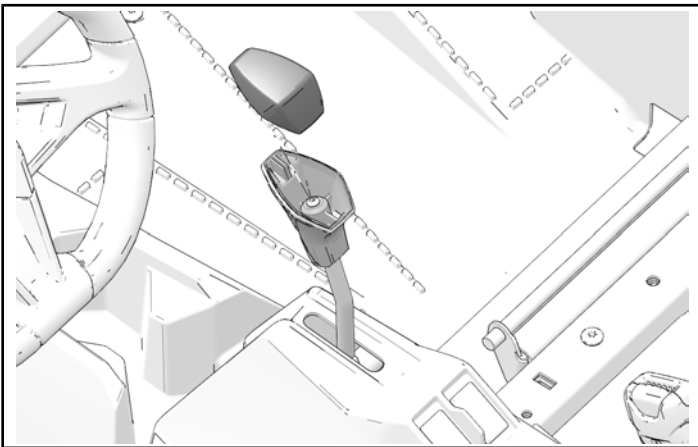
1. Pull strap to disengage seat. Tilt seat forward and remove from vehicle.



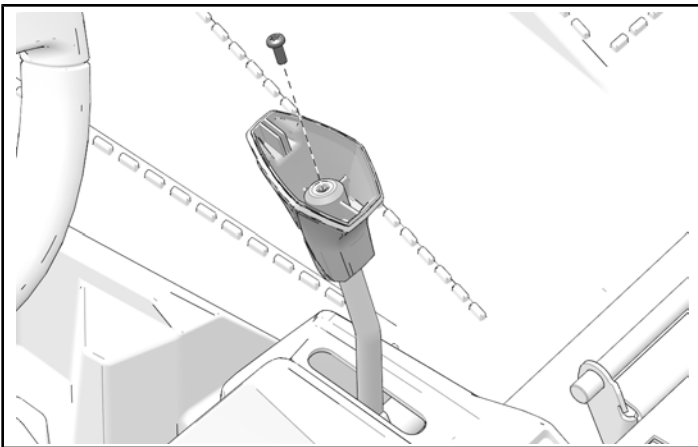
TWO PASSENGER VEHICLES

CENTER CONSOLE REMOVAL

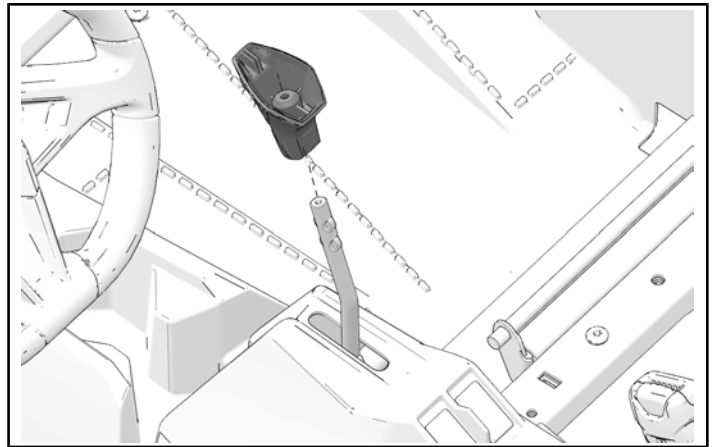
1. Remove and keep shifter cover.



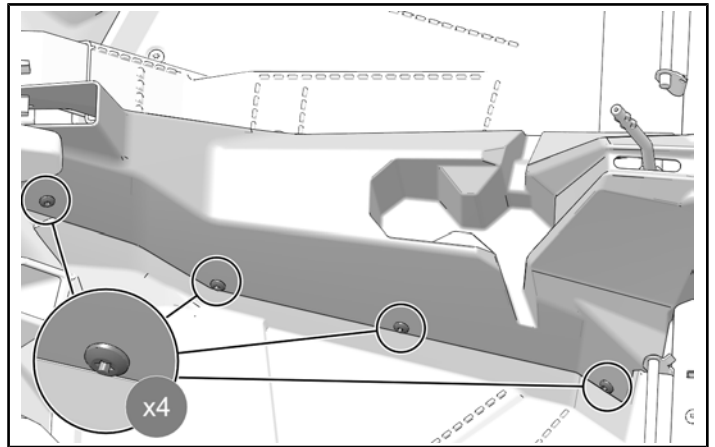
2. Remove and keep one fastener from shifter handle.



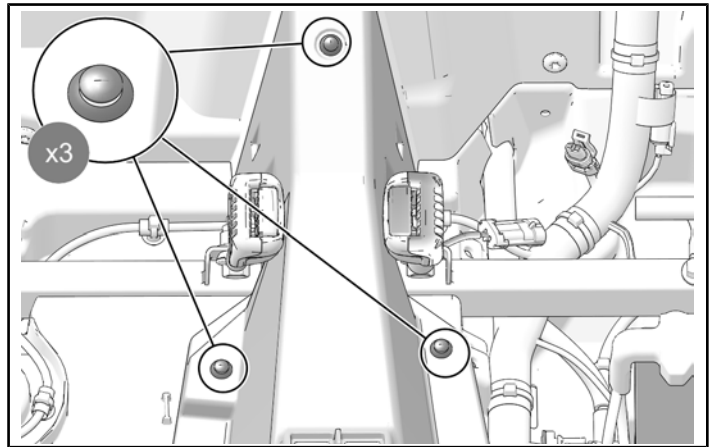
3. Remove and keep shifter handle.



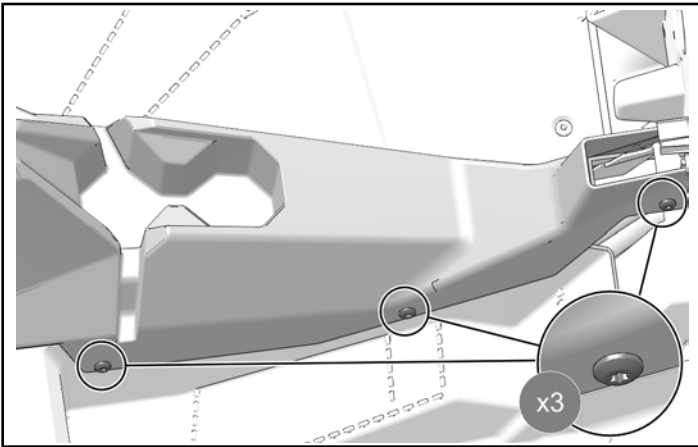
4. Remove four fasteners from the left-side of the center console.



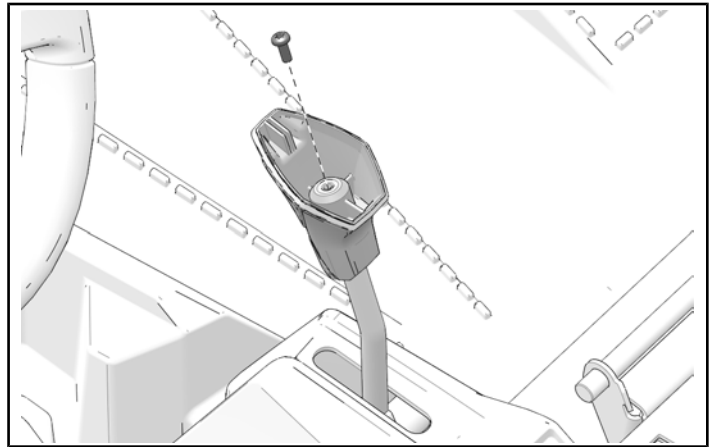
5. Remove three push-pin rivets from the rear of the center console.



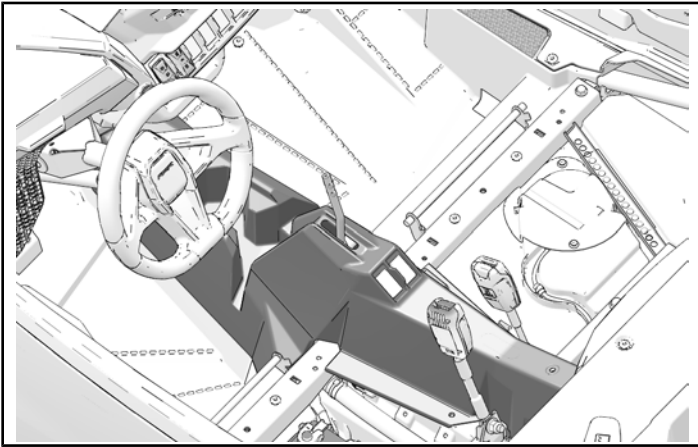
6. Remove three fasteners from the right-side of the center console.



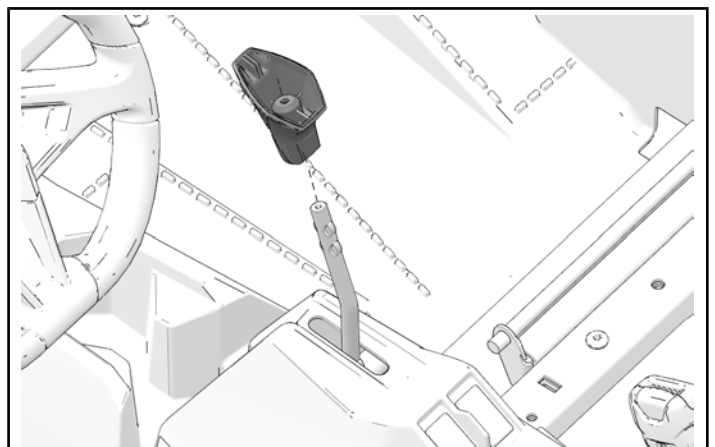
2. Remove and keep one fastener from shifter handle.



7. Remove center console from vehicle.

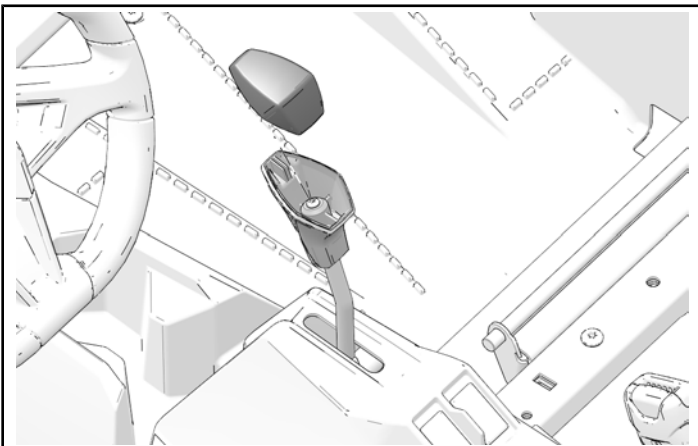


3. Remove and keep shifter handle.

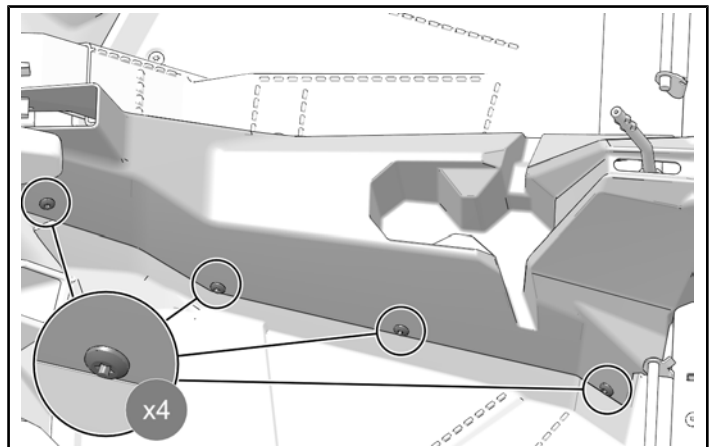


MULTI-PASSENGER VEHICLES **FRONT CENTER CONSOLE REMOVAL**

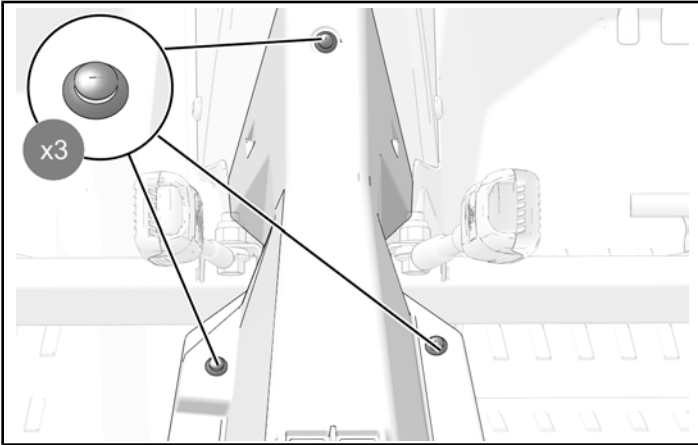
1. Remove and keep shifter cover.



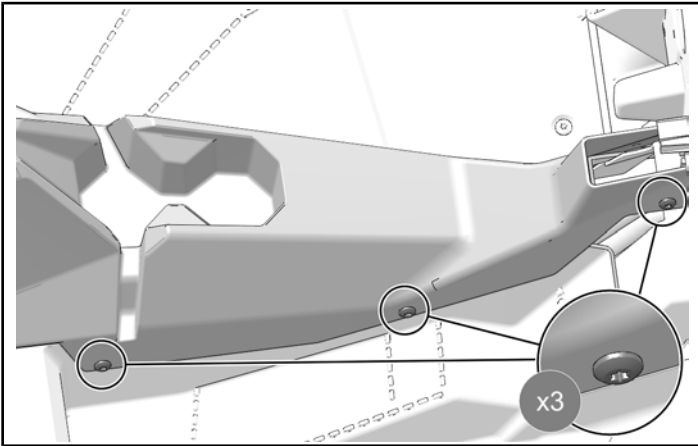
4. Remove four fasteners from the left-side of the center console.



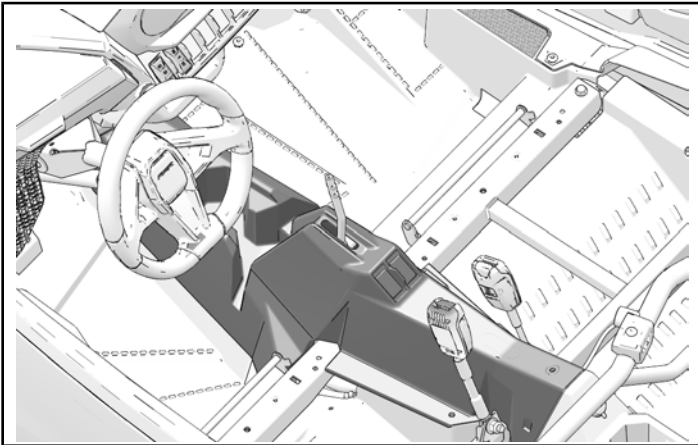
5. Remove three push-pin rivets from the rear of the center console.



6. Remove three fasteners from the right-side of the center console.

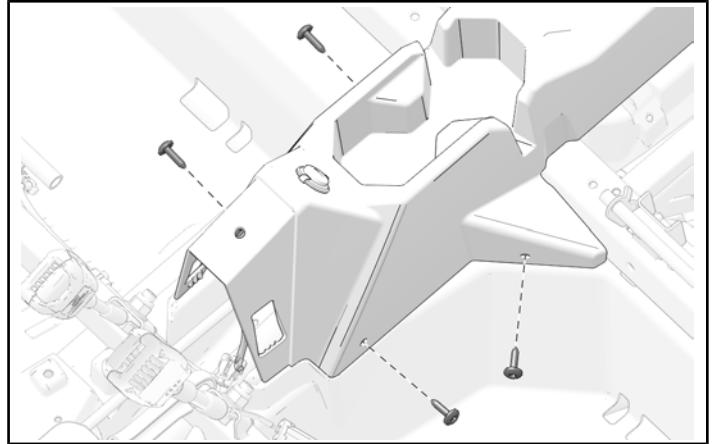


7. Remove center console from vehicle.



REAR CENTER CONSOLE REMOVAL

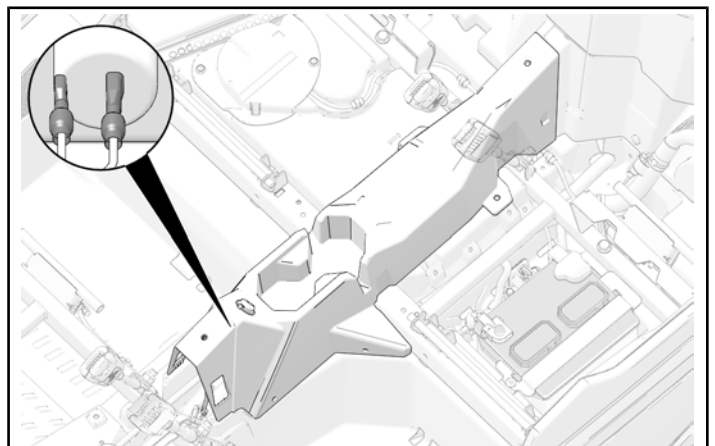
1. Remove four fasteners from rear center console.



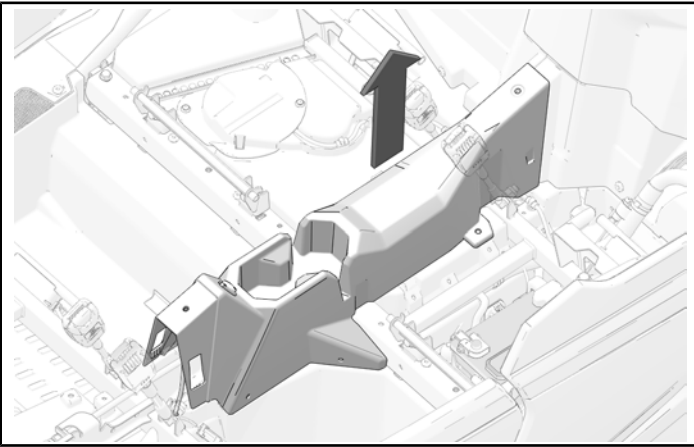
2. Remove three push-pin rivets from rear center console.



3. Disconnect 12 V receptacle.

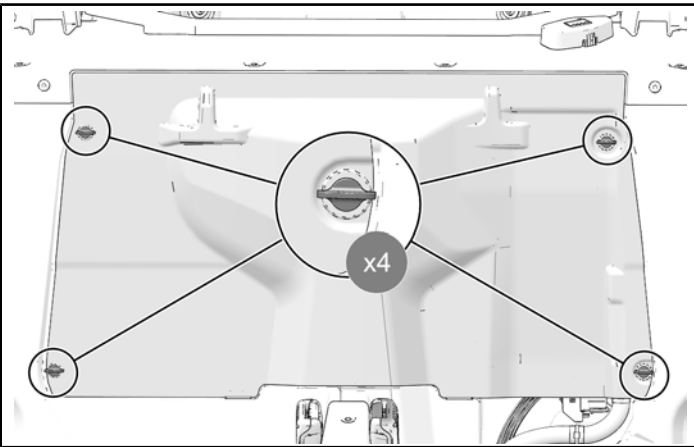


4. Remove rear center console from vehicle.



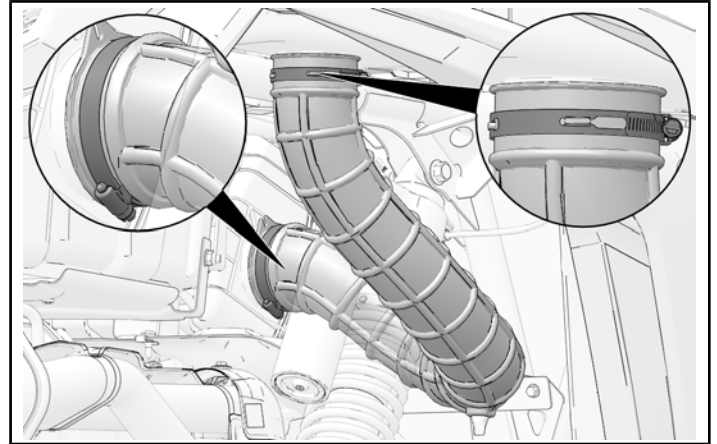
ACCESS PANEL REMOVAL

1. Turn four 1/4-turn knobs to remove access panel.



AIRBOX INTAKE HOSE REMOVAL

1. Loosen the hose clamps attaching the air intake hose and remove the intake hose.



ACCESSORY INSTALLATION

TEMPLATES

NOTICE

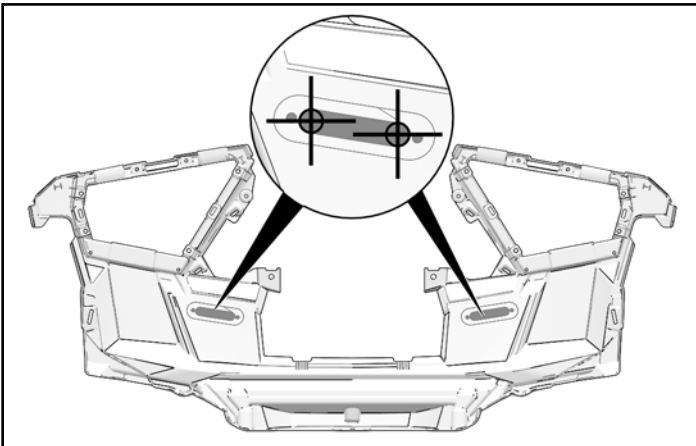
Clean all surfaces, as needed, with cleaning solution or isopropyl alcohol before applying templates.

WARNING

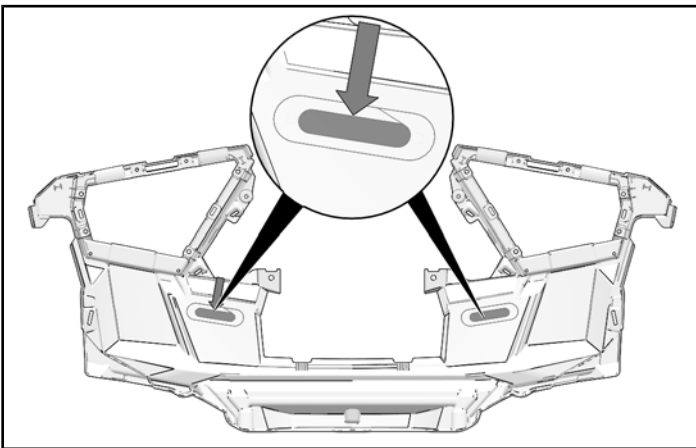
Isopropyl alcohol is hazardous to your health. See isopropyl alcohol packaging for proper handling instructions, including recommended personal protective equipment such as goggles and chemical resistant gloves.

VENT TEMPLATES

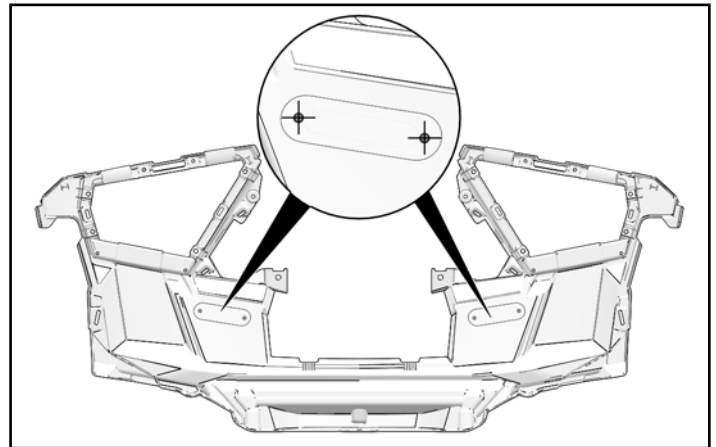
1. Flip the top dashboard panel over and locate the vent cutline marks.
2. Drill two **5/8 in** holes for vent opening.



3. Cut remaining plastic between drilled holes within lines of the vent cutline marks.



4. Drill two **1/4 in** holes for fasteners.

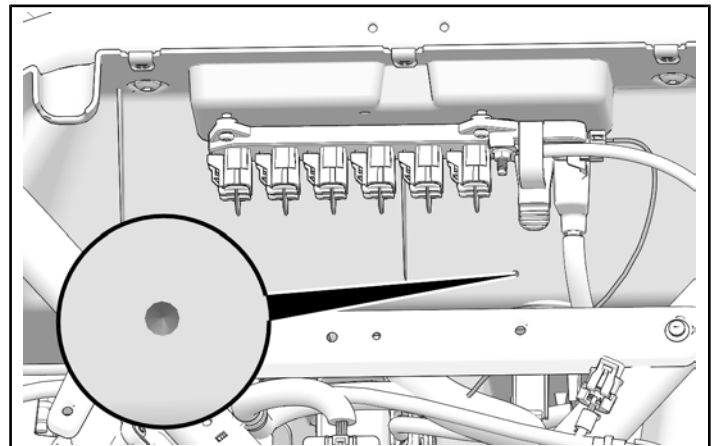


FRONT CLOSEOUT - INLET HOSE TEMPLATE

IMPORTANT

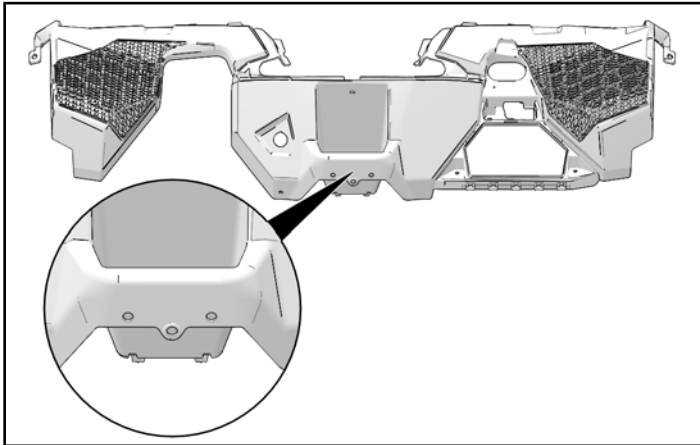
Control tool depth. Make sure tool is clear of all other parts and components to prevent damage to vehicle.

1. Locate drill location mark on front closeout.
2. Use a **1-1/4 in** hole saw to cut hole.



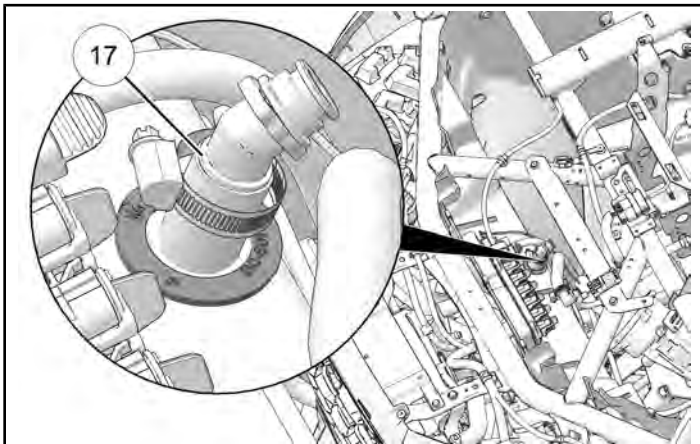
CONTROL PANEL TEMPLATE

1. Apply template to front dashboard panel, below storage compartment opening.
2. Drill two **1/4 in** holes for fasteners.



OUTLET HOSE INSTALLATION

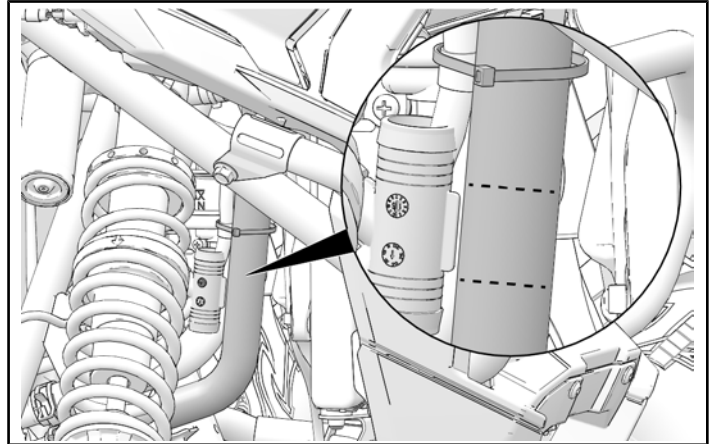
1. Put outlet hose ⑰ (shorter) into hole that was drilled in the front closeout. Make sure grommet is fully seated in hole.



2. Identify coolant hose coming from radiator assembly. Mark and cut **1 in (2.54 cm)** out of the coolant hose, located below the cable tie

TIP

Use the hose stop feature of the tee connector to mark the portion of the hose to be removed.



3. Install tee connector between two ends of coolant hose with clamps ⑱.

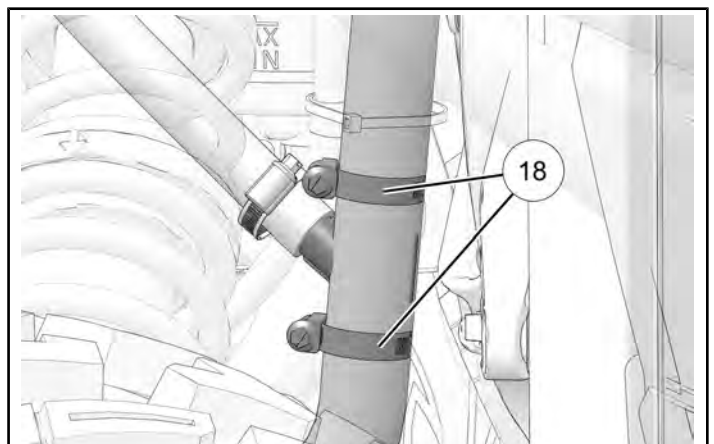
TORQUE

Hose Clamp ⑱:
30-50 in-lbs (3-6 N·m)

IMPORTANT

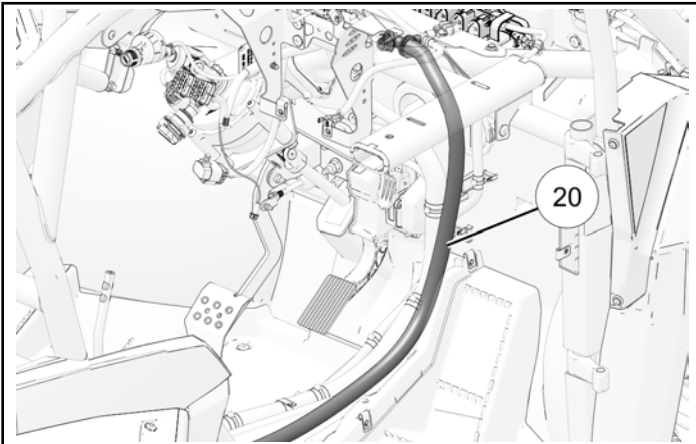
When installing the clamps, make sure the screw is on the front side of the hose to avoid it rubbing on the other coolant hose.

Make sure the coolant hose coming from radiator assembly that is connected to the bottom of the tee connector is not contacting the chassis. If it is contacting the chassis, cut more off the hose connected to the top of the tee connector and reconnect.

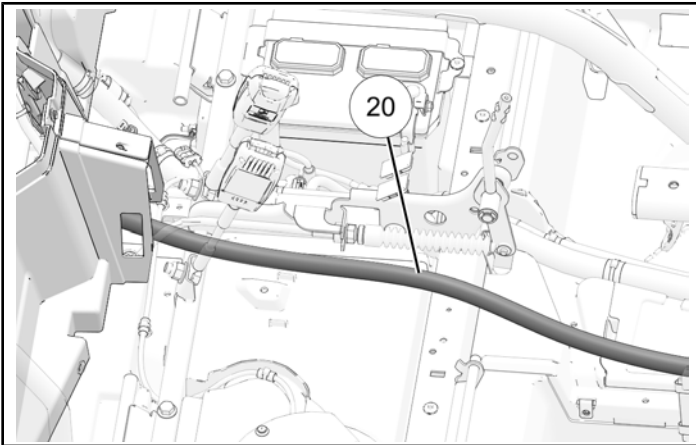


INLET HOSE INSTALLATION

1. Loosely install inlet hose ⑳ (longer) into vehicle with the hose connector at the front near the fuse bracket.



2. Put the other end of the inlet hose ⑳ toward the rear of the vehicle along the shift cable and through the opening in the rear lower closeout.

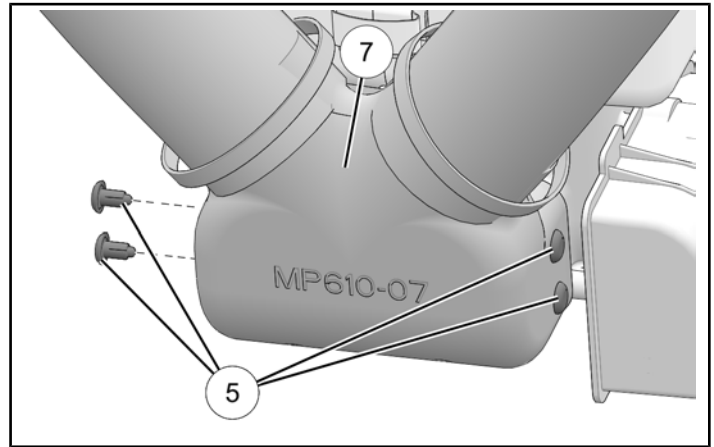


HEATER ASSEMBLY INSTALLATION

TIP

Harness connectors in this section only have one possible mating connector, except where noted.

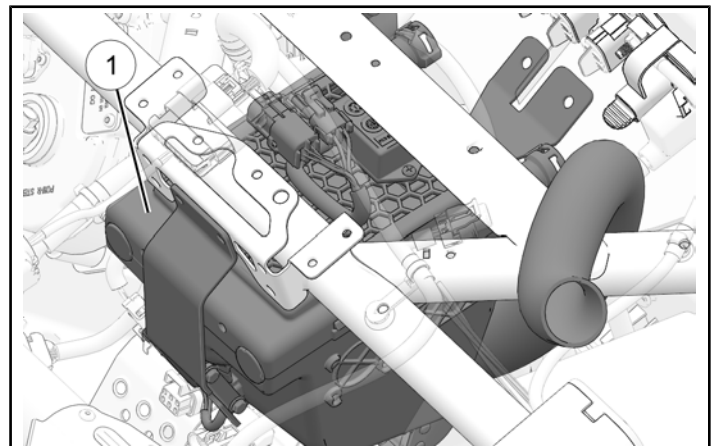
1. Install duct and flex hose assembly ⑦ onto the heater assembly. Attach with four fir tree clips ⑤.



2. Put heater assembly ① into vehicle with front bracket resting on front closeout and rear bracket against dash support.

TIP

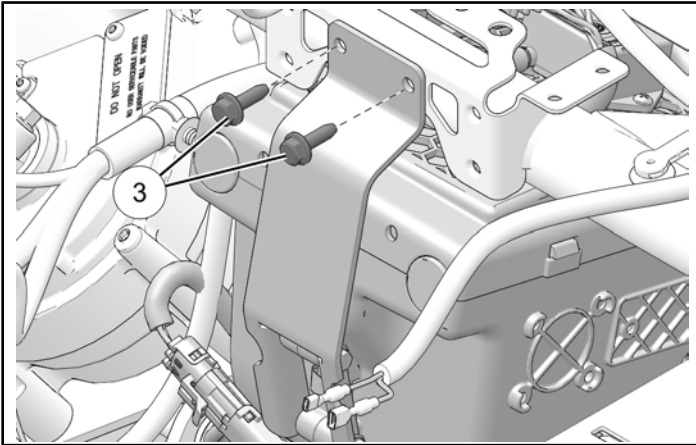
Keep the flex hoses up as the heater is put into place.



3. Install rear bracket with two fasteners ③. Torque fasteners to specification.

TORQUE

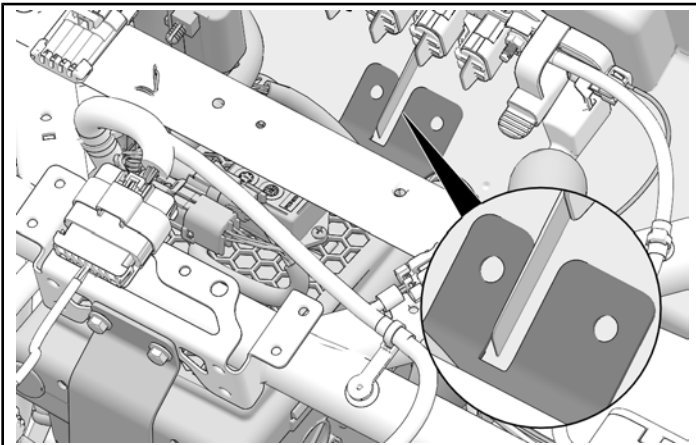
Heater Mounting Fasteners ③:
88 in-lbs (10 N·m)



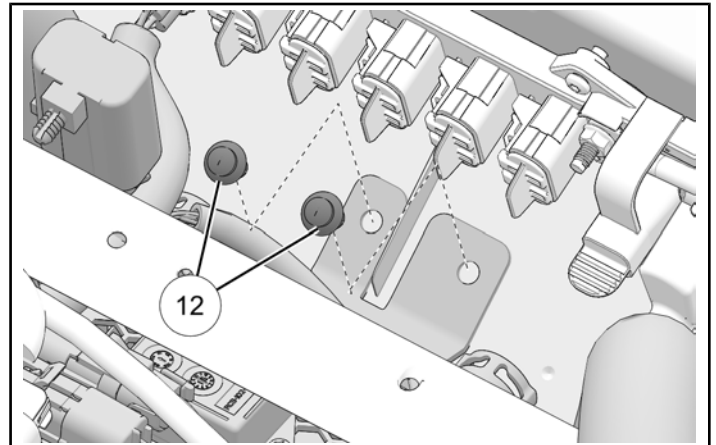
4. Using the holes in the front bracket as a template, drill two **5/16 in** holes for push-pin rivets.

IMPORTANT

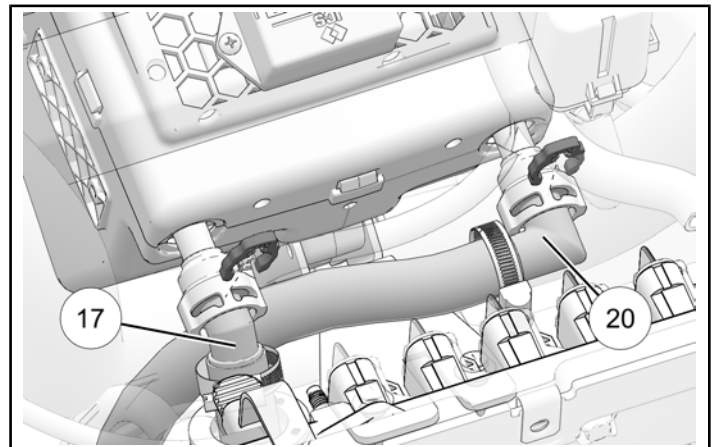
Control tool depth. Make sure tool is clear of all other parts and components to prevent damage to vehicle.



5. Install two push-pin rivets ⑫ to attach front bracket to front closeout.

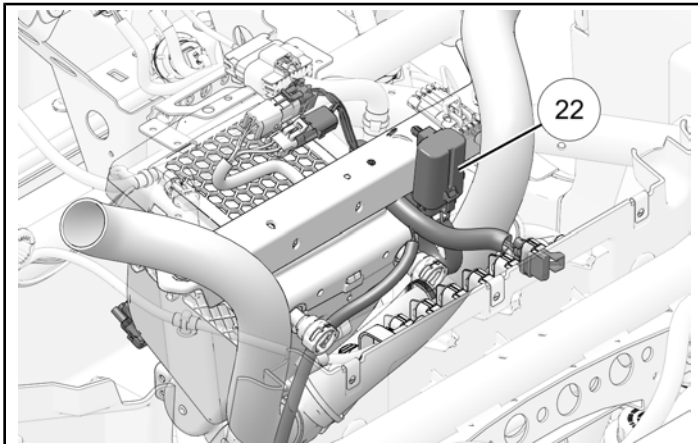


6. Verify O-rings are on fittings and apply silicone lube to O-rings before installing. Remove retaining clips from inlet hose ⑳ and outlet hose ⑰. Install hoses with clips.

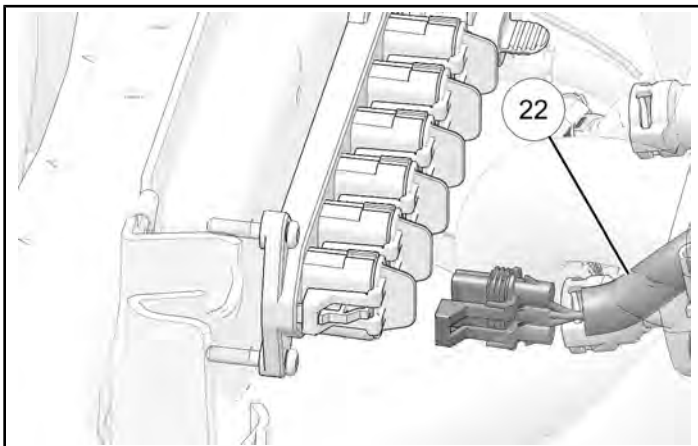


HARNES INSTALLATION

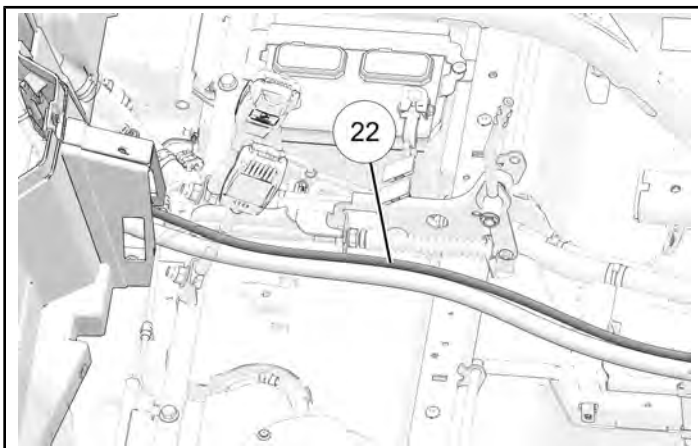
1. Install fuse relay of heater harness 22 onto fuse bracket.



2. Install power connector of heater harness 22 into Polaris Pulse® bar.



3. Put the long lead of the heater harness 22 toward the rear of the vehicle along the inlet hose and through the opening in the rear lower closeout.

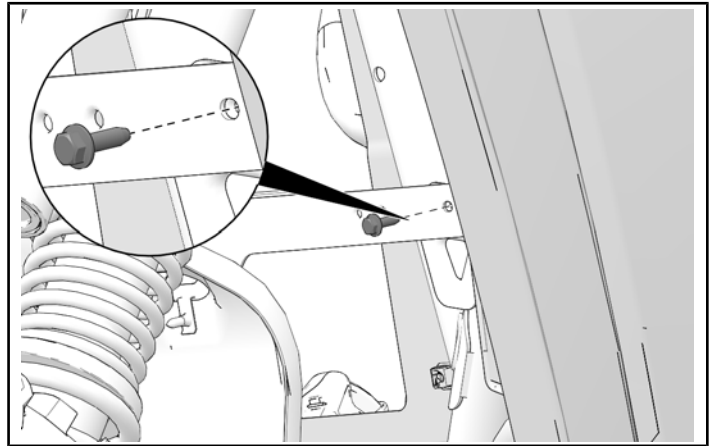


ELECTRONIC TEMPERATURE CONTROL INSTALLATION

1. Remove and keep fastener from closeoff support bracket.

TIP

Access from right-rear wheel well.



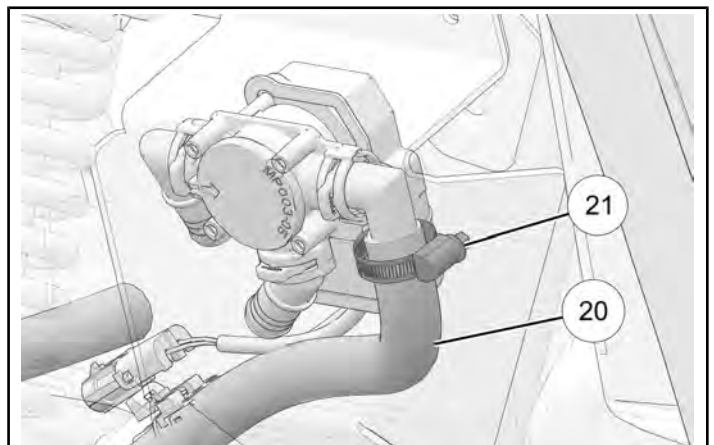
2. Install clamp 21 onto hose and install inlet hose 20 onto the to Electronic Temperature Control (ETC) assembly.

IMPORTANT

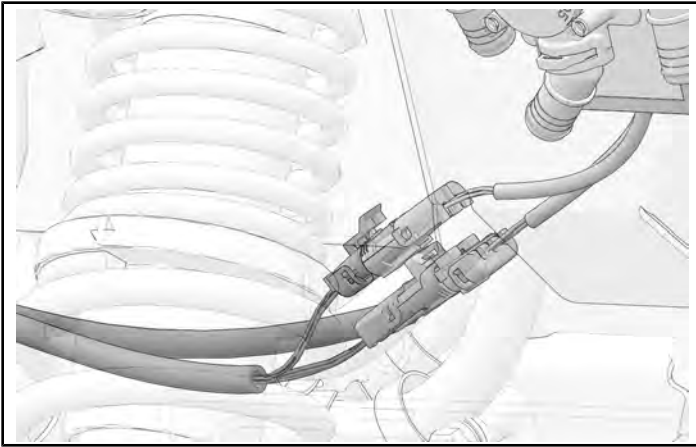
Two Passenger Vehicles: Before you install the clamp onto the inlet hose, cut inlet hose to length by removing 27 in (68.6 cm) from the end of the hose.
Hose does not need to be trimmed for multi-passenger vehicles.

TORQUE

Hose Clamp 21:
30-50 in-lbs (3-6 N·m)



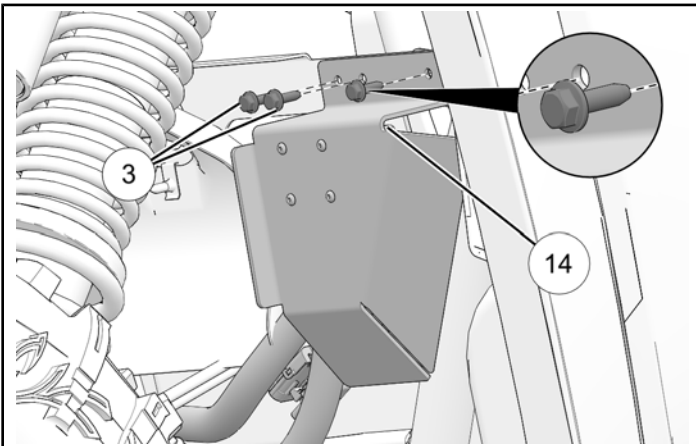
3. Connect heater harness to ETC assembly.



4. Install ETC assembly ⑭ with two supplied fasteners ③ and one retained fastener. Torque fasteners to specification.

TORQUE

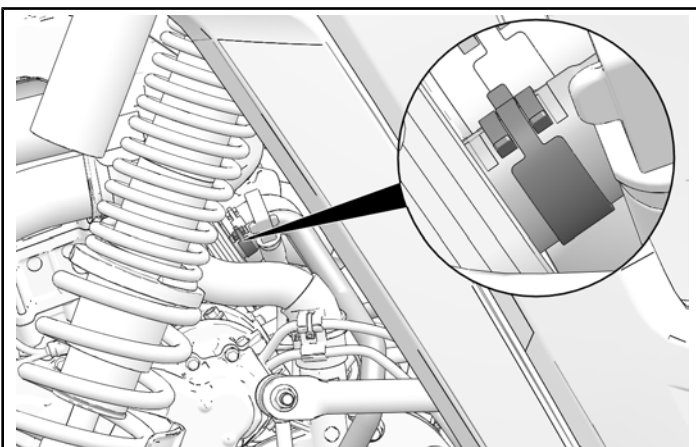
ETC Mounting Fasteners:
88 in-lbs (10 N·m)



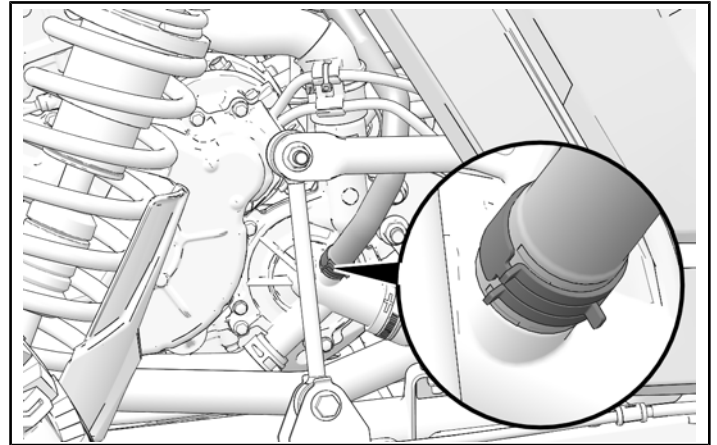
5. Disconnect oil cooler outlet coolant hose.

NOTICE

Oil cooler outlet coolant hose is connected to the passenger side port of the oil cooler.



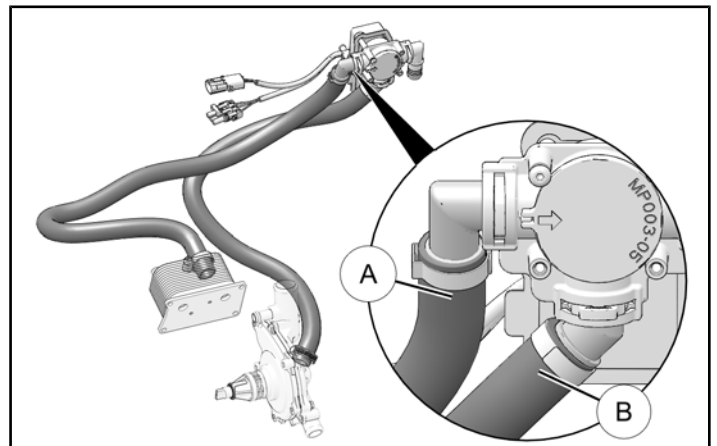
6. Remove and discard oil cooler outlet coolant hose from water pump.



7. Identify the long hose ① connected to the side port of the ETC assembly and the short hose ② connected to the bottom port of the ETC assembly.

NOTICE

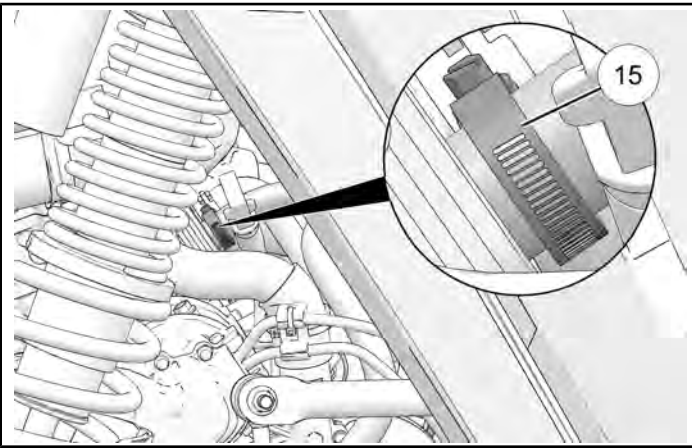
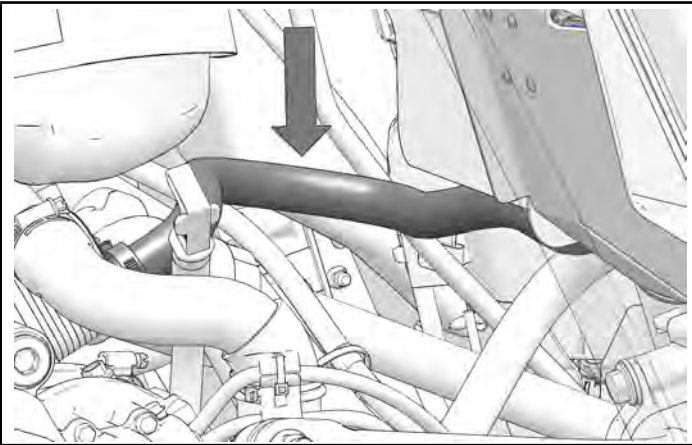
The long hose ① from the ETC assembly goes to the oil cooler and the short hose ② from the ETC assembly goes to the water pump.



8. Install long hose from ETC assembly to oil cooler with hose clamp ⑮.

TORQUE

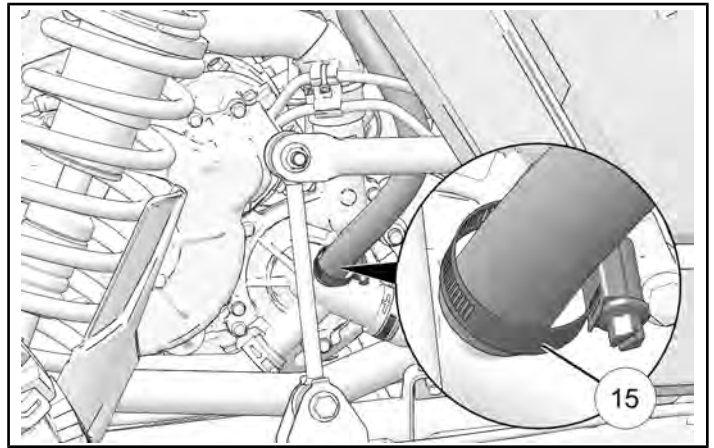
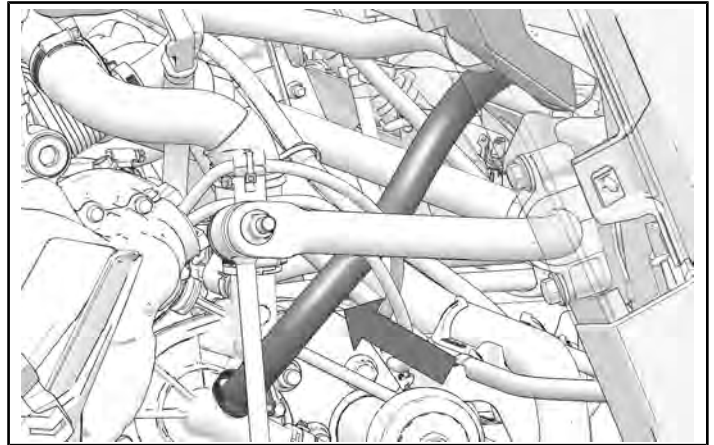
Hose Clamp ⑮:
30-50 in-lbs (3-6 N·m)



9. Install short hose from ETC assembly to water pump with hose clamp ⑮.

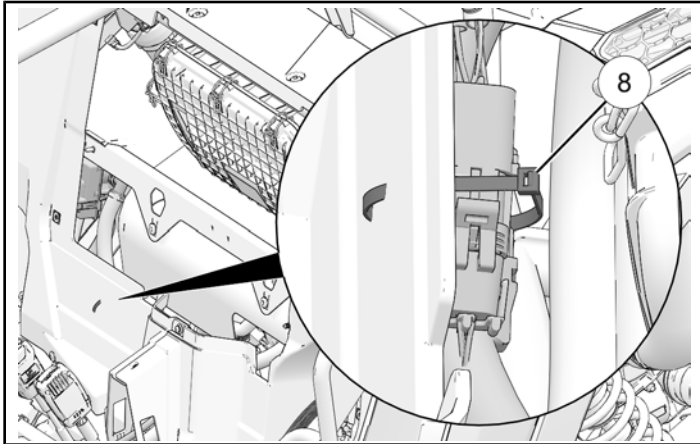
TORQUE

Hose Clamp ⑮:
30-50 in-lbs (3-6 N·m)

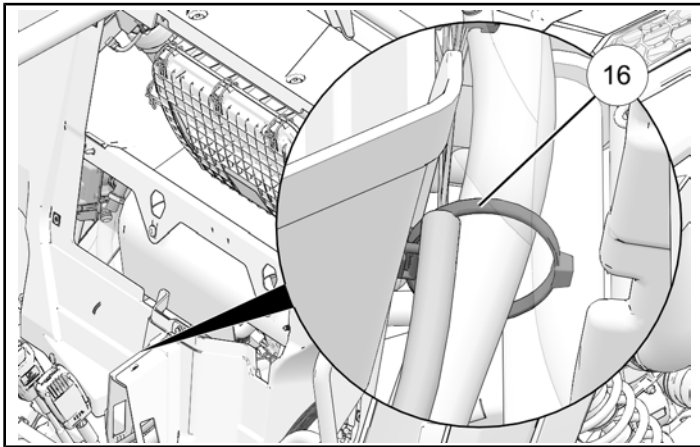


ROUTING AND RETENTION

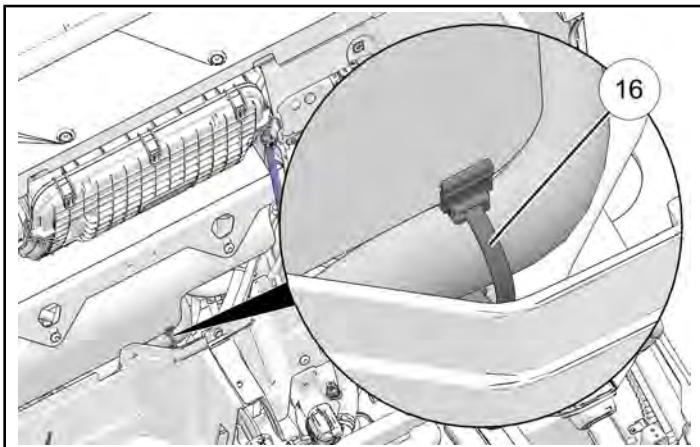
1. Install cable tie ⑧ to attach heater harness to ETC assembly connectors to the shorter hose from ETC assembly to water pump.



2. Install edge clip ⑯ onto lower rear closeout and attach heater harness and inlet hose.



3. Install edge clip ⑯ onto heat shield and attach longer hose from ETC assembly to oil cooler.

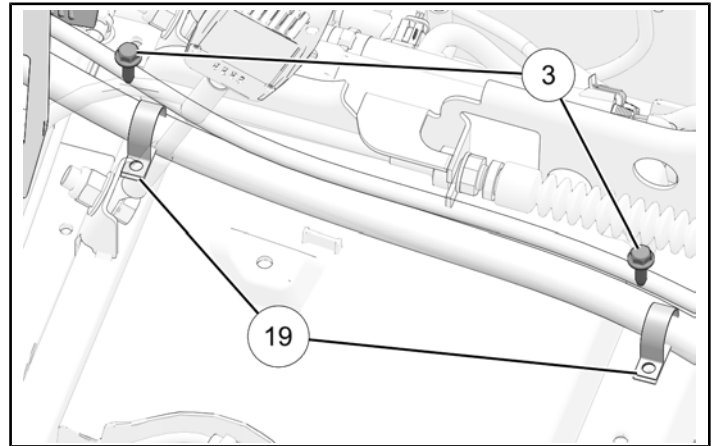


4. Put P-clamps ⑰ around inlet hose and install to chassis with supplied fasteners ③.

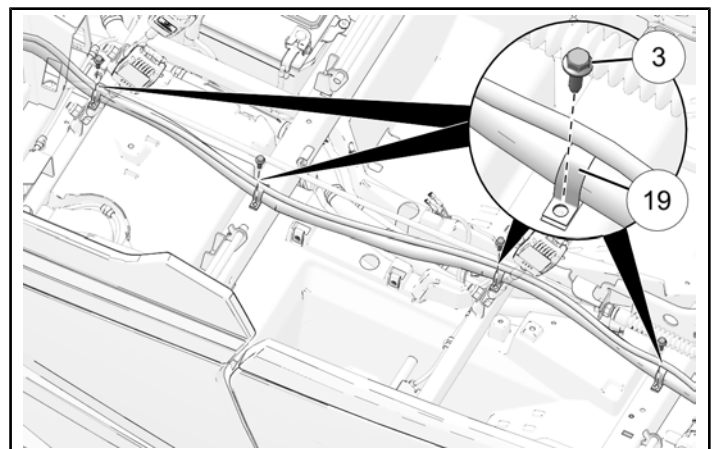
TORQUE

P-Clamp Fasteners ③:
88 in-lbs (10 N·m)

Two Passenger Vehicles

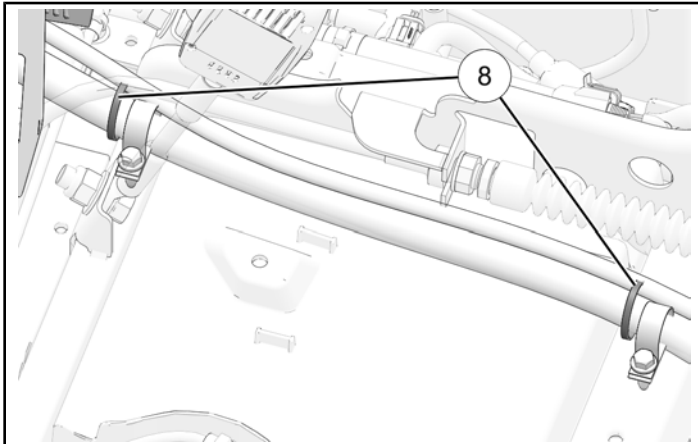


Multi-Passenger Vehicles

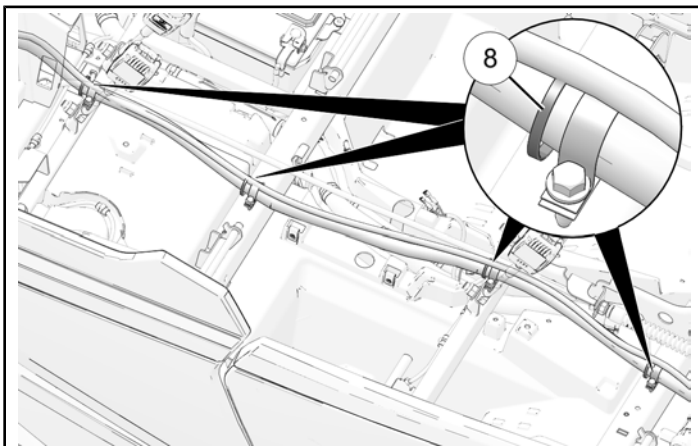


5. Install cable ties (8) around heater harness and inlet hose near P-clamps to avoid contact with moving parts.

Two Passenger Vehicles



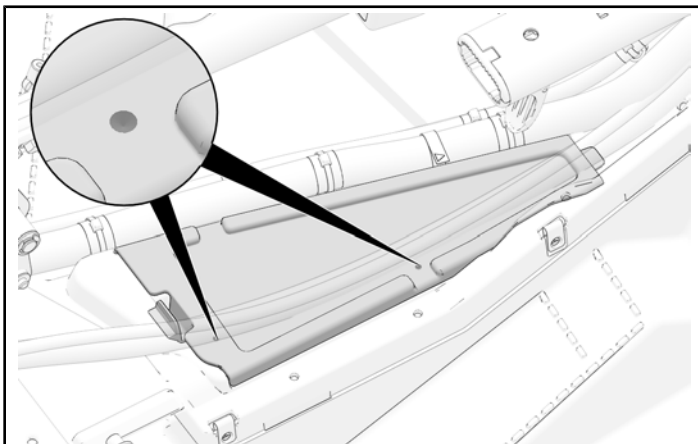
Multi-Passenger Vehicles



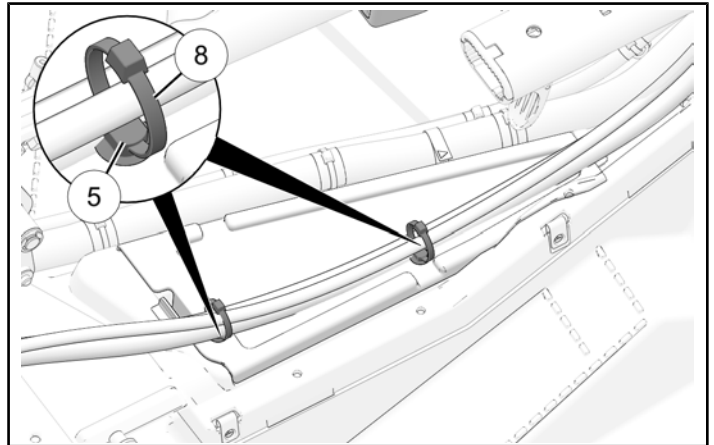
6. Locate drill location mark on tunnel closeout cover and drill two 1/4 in holes for routing clips.

IMPORTANT

Control tool depth. Make sure tool is clear of all other parts and components to prevent damage to vehicle.



7. Install the fir tree clips (5) into tunnel closeout cover. Pull the heater harness slack toward the front of the vehicle and coil additional length on closeout cover. Install cable ties (8) through the fir tree clips and around coiled heater harness and inlet hose.

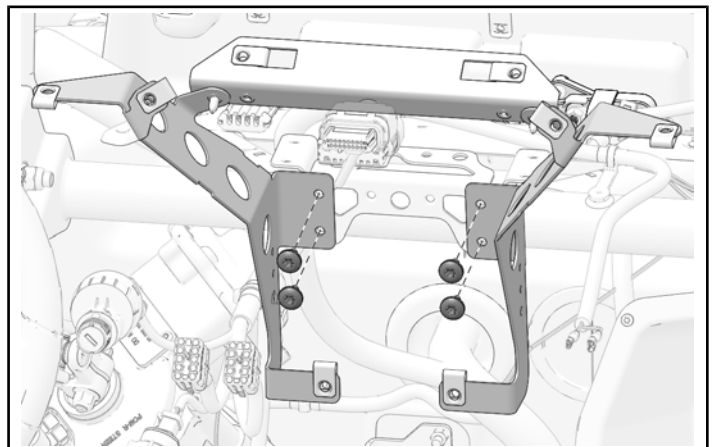


DASH SUPPORT BRACKET INSTALLATION

1. Install the dash support bracket and align mounting holes.
2. Install four retained fasteners and torque to specification.

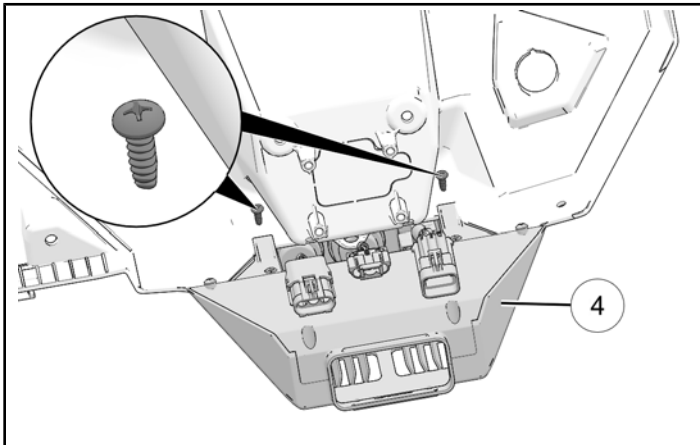
TORQUE

Dash Support Bracket Fasteners:
88 in-lbs (10 N·m)

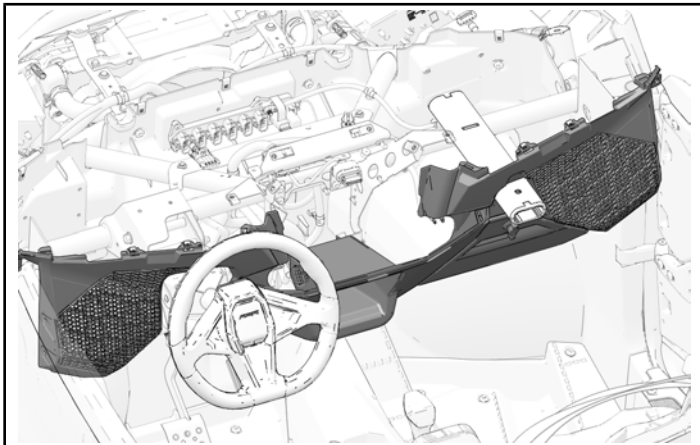


FRONT DASHBOARD / CONTROL PANEL INSTALLATION

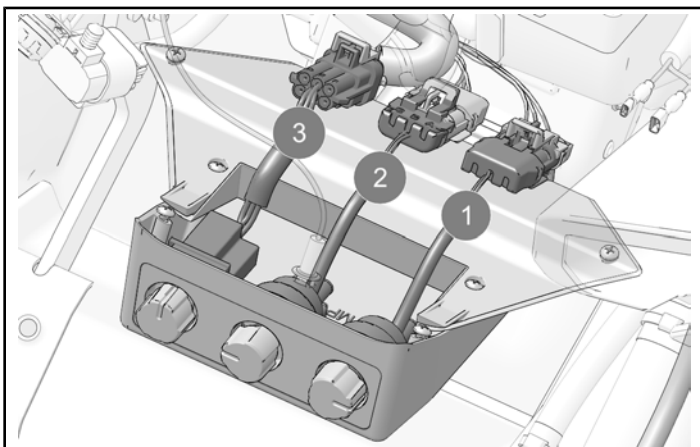
1. Align control panel ④ with the holes drilled in the front dashboard panel. From inside dashboard, install two fasteners included with control panel assembly and torque until fully seated.



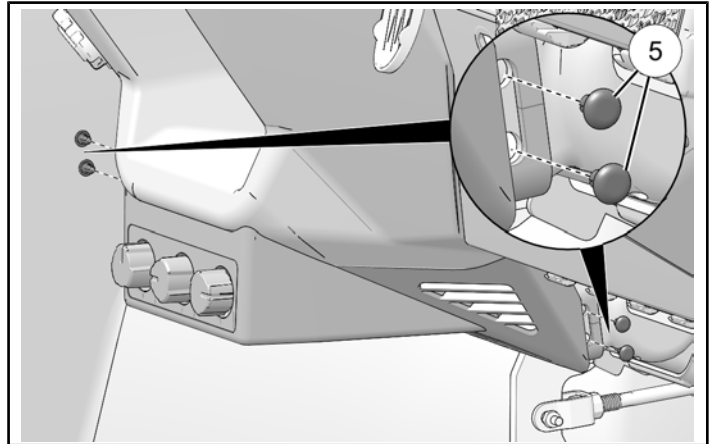
2. Put front dashboard into vehicle.



3. As you install the front dashboard and control panel into place, install three control panel connectors to power harness.

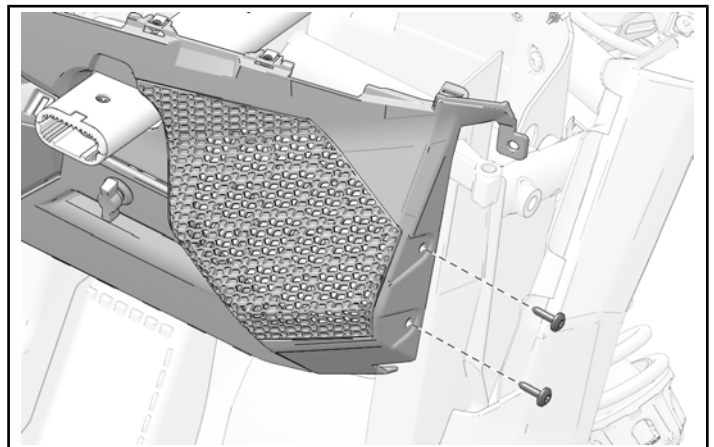


4. Install the control panel onto the mode control of the heater assembly and attach with four fir tree clips ⑤.



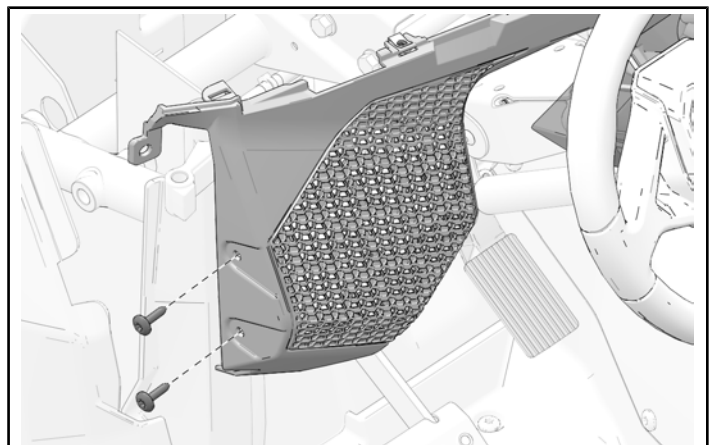
5. Install front dashboard with two fasteners.

Do not torque fasteners at this time.

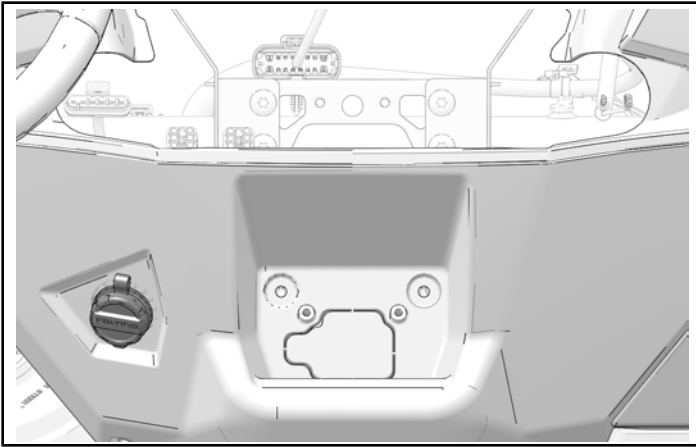


6. Install front dashboard with two fasteners.

Do not torque fasteners at this time.

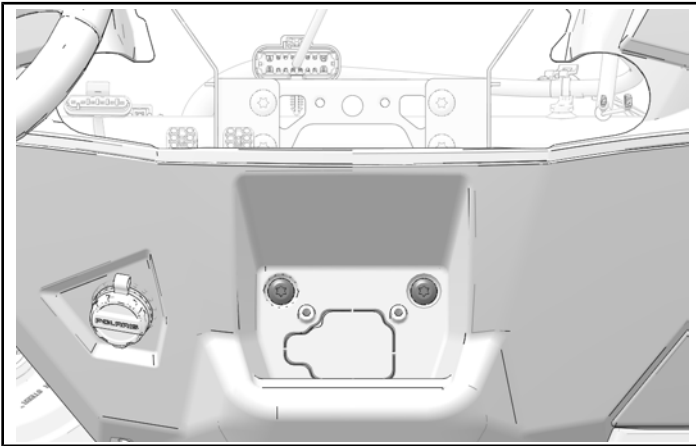


7. Connect charging port on left-hand side.



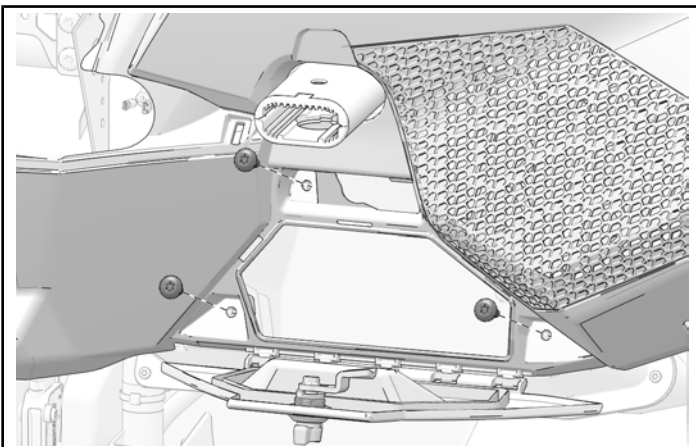
8. Install front dashboard with two fasteners.

Do not torque fasteners at this time.



9. Open glove box and install three fasteners.

Do not torque fasteners at this time.



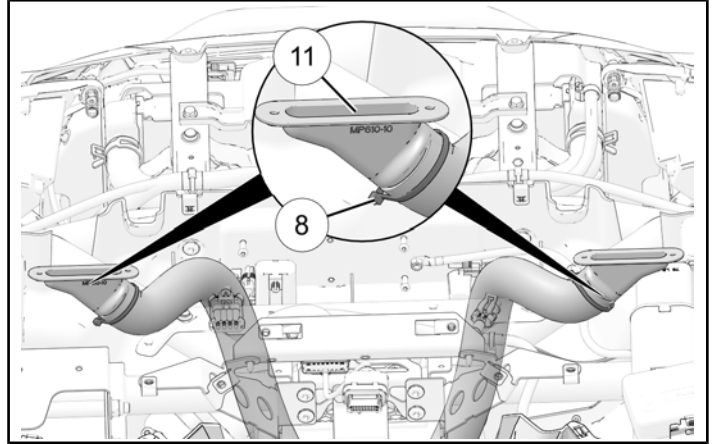
10. Torque the dashboard fasteners to specification.

TORQUE

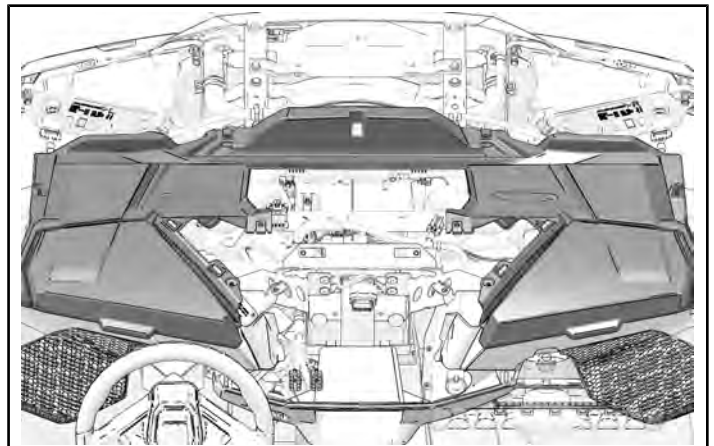
Front Dashboard Fasteners:
88 in-lbs (10 N·m)

UPPER DASHBOARD / VENT INSTALLATION

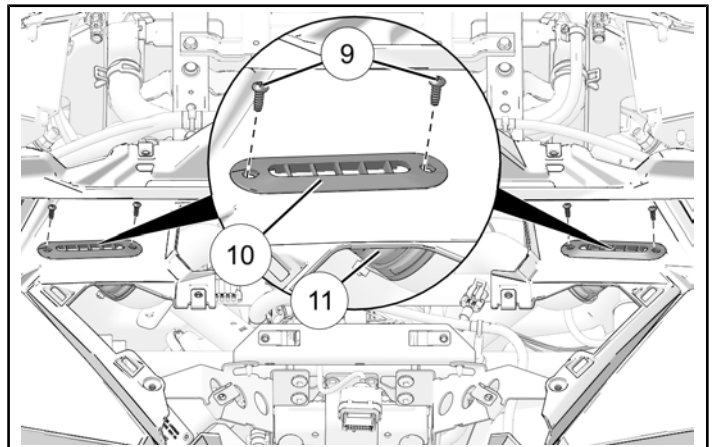
1. Twist flex hoses onto vent inlets ⑪ and secure with cable ties ⑧.



2. Put the upper dashboard panel into the vehicle.

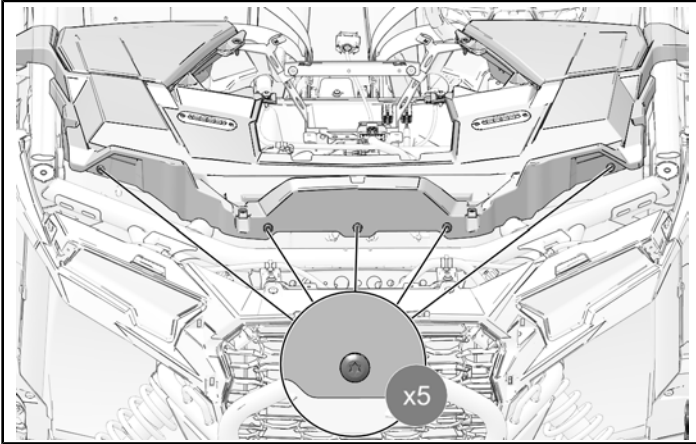


3. Align dashboard with vent inlets ⑪ and install vent grilles ⑩ with two fasteners ⑨ per vent. Torque fasteners until fully seated.



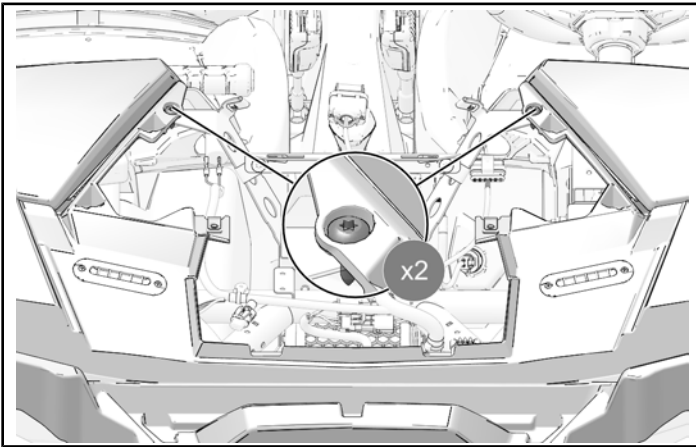
4. Install upper dashboard with five fasteners.

Do not torque fasteners at this time.



5. Install upper dashboard with two fasteners.

Do not torque fasteners at this time.

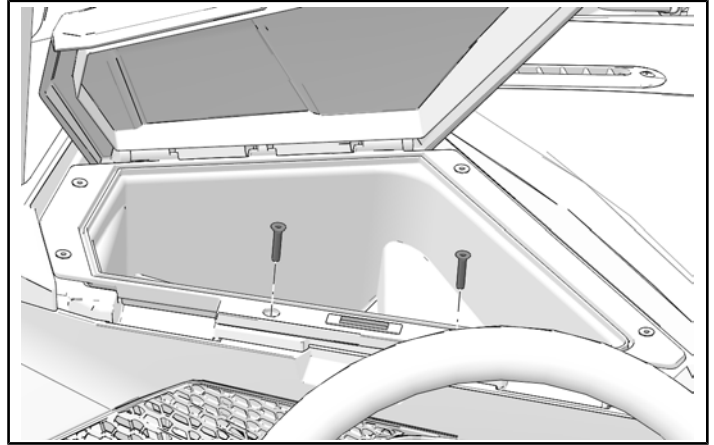


6. Torque the seven dashboard fasteners to specification.

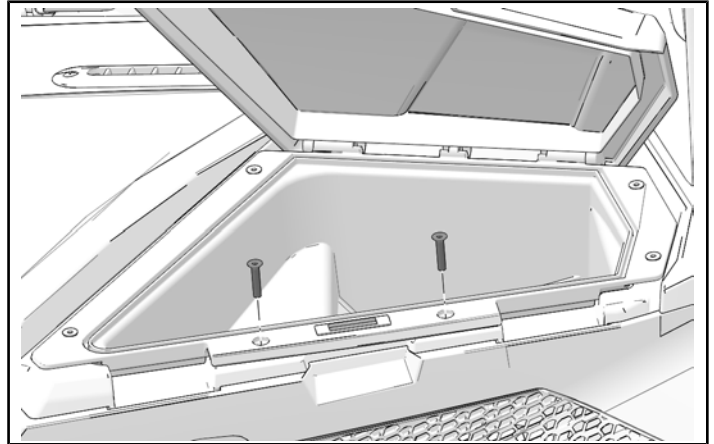
TORQUE

Upper Dashboard Fasteners:
88 in-lbs (10 N·m)

7. Install two storage compartment fasteners. Torque fasteners until fully seated.



8. Install two storage compartment fasteners. Torque fasteners until fully seated.

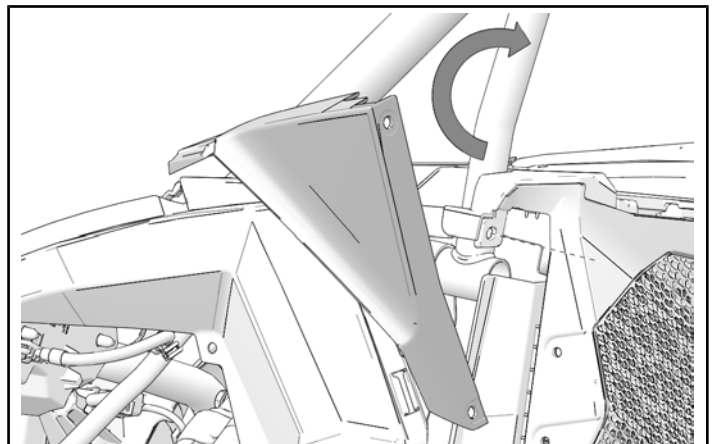


REAR POCKET FENDER INSTALLATION

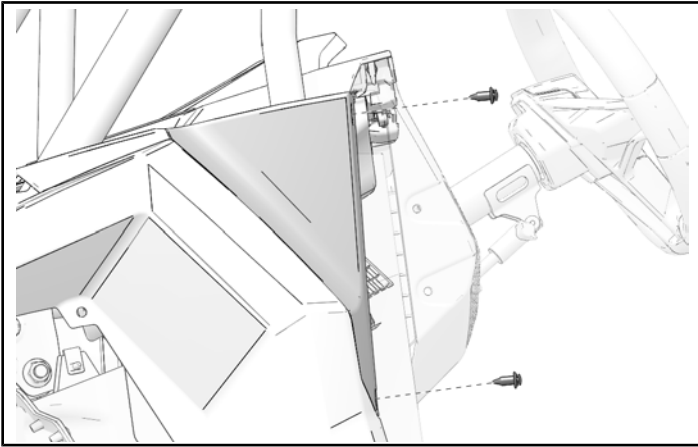
NOTICE

Left fender flare shown; right fender flare similar.

1. Rotate rear pocket fender towards vehicle body and slide into place.



2. Attach rear pocket fender to vehicle using two push-pin rivets.



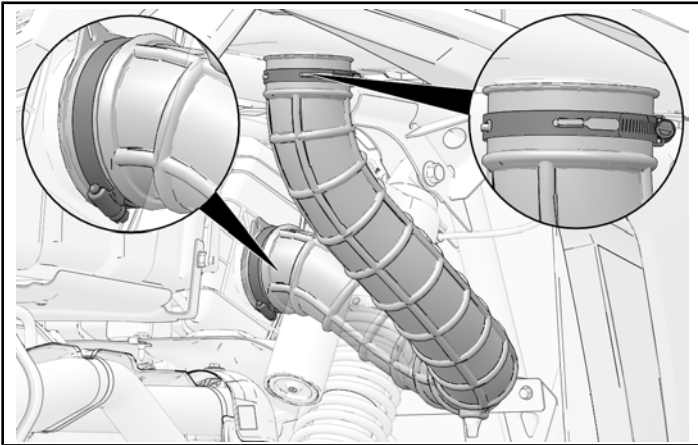
VEHICLE REASSEMBLY

AIRBOX INTAKE HOSE INSTALLATION

1. Install the air intake hose and tighten the hose clamps to specification.

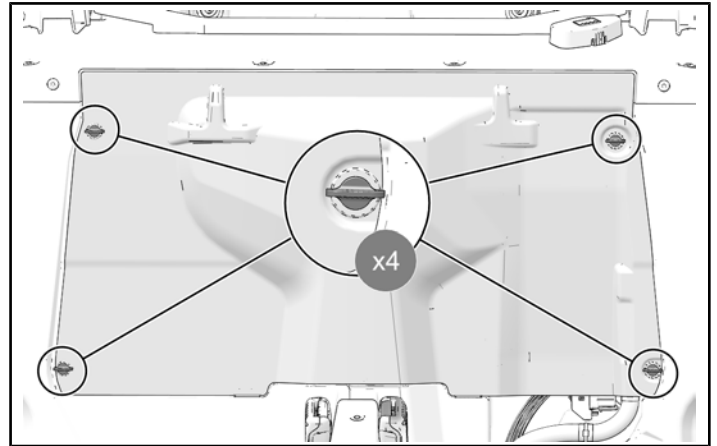
TORQUE

Hose Clamp:
35 in-lbs (4 N·m)



ACCESS PANEL INSTALLATION

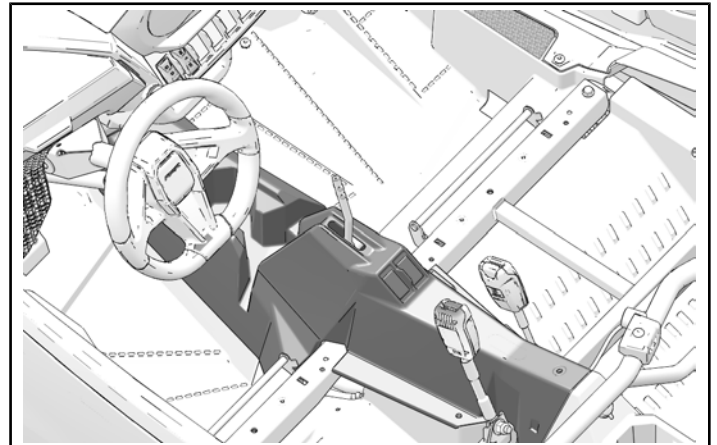
1. Put access panel in installed position and turn four 1/4-turn knobs.



MULTI-PASSENGER VEHICLES

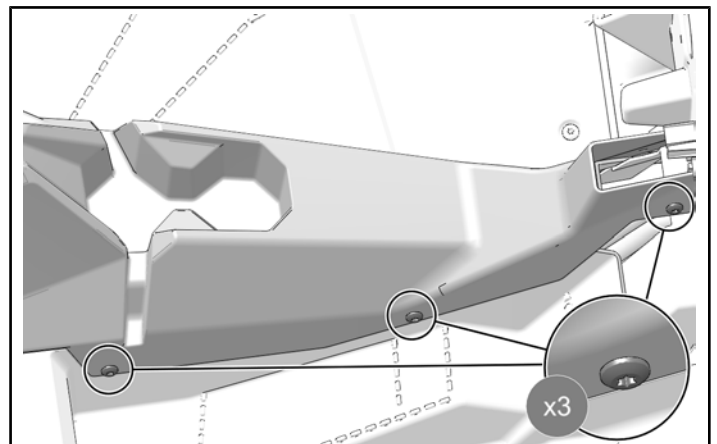
FRONT CENTER CONSOLE INSTALLATION

1. Put center console into vehicle and over shifter.

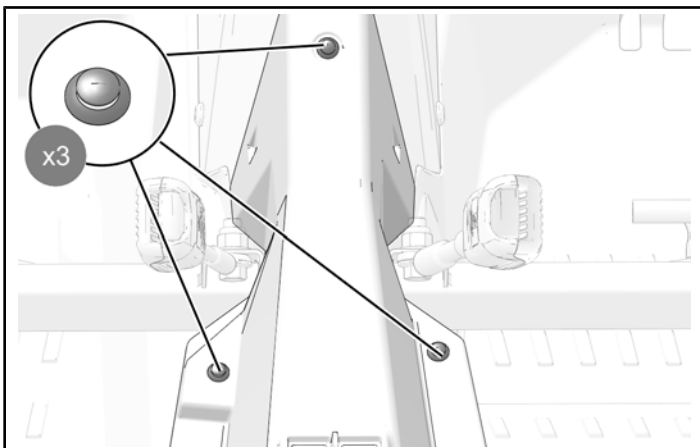


2. Install passenger side of center console with three retained fasteners.

Do not torque fasteners at this time.

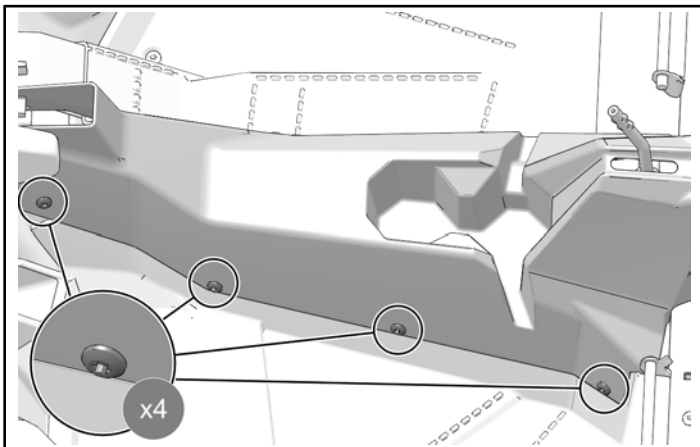


3. Install rear of center console with three retained push-pin rivets.



4. Install passenger side of center console with four retained fasteners.

Do not torque fasteners at this time.

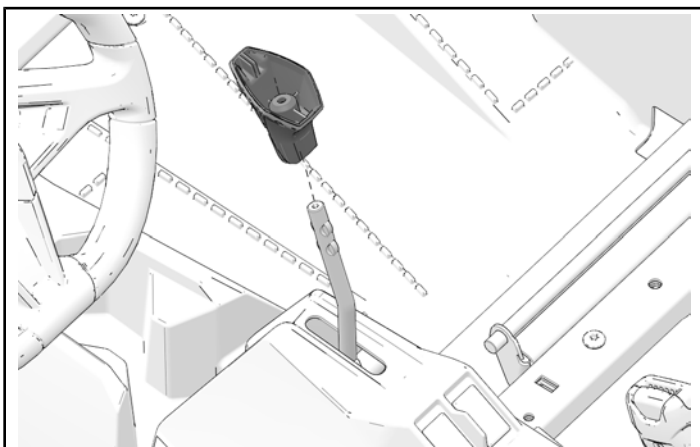


5. Torque all center console fasteners to specification.

TORQUE

Center Console Fasteners:
88 in-lbs (10 N·m)

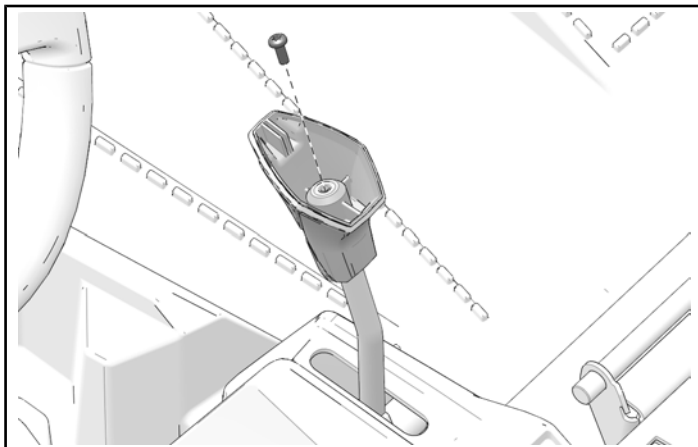
6. Put shifter handle onto shifter post.



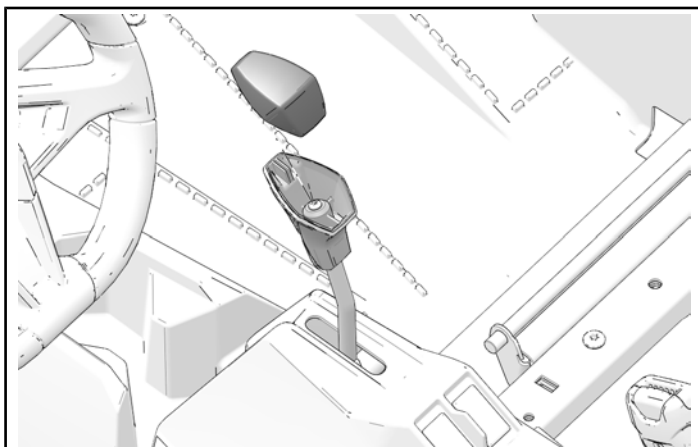
7. Install shifter handle with one retained fastener. Torque fastener to specification

TORQUE

Shifter Handle Fastener:
35 in-lbs (4 N·m)

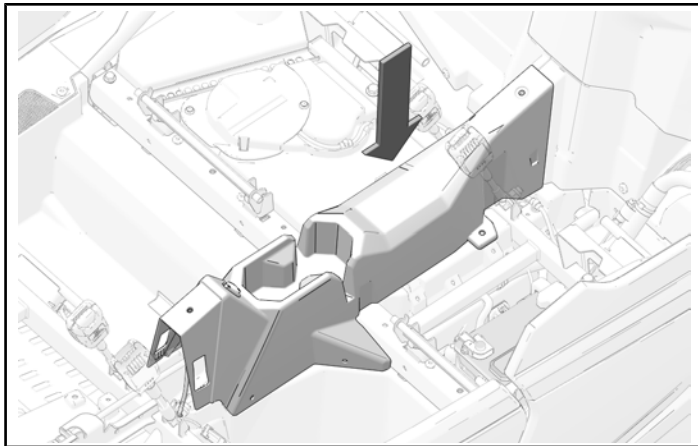


8. Install shifter cover.

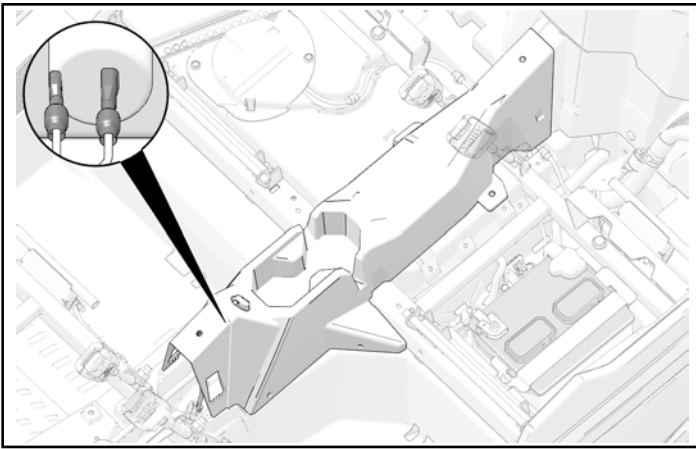


REAR CENTER CONSOLE INSTALLATION

1. Put rear center console in vehicle.



2. Connect 12 V receptacle.



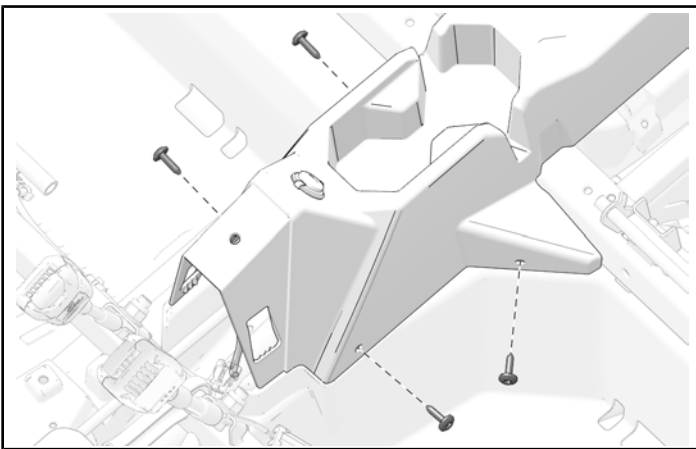
3. Install three push-pin rivets from rear center console.



4. Install four fasteners from rear center console. Torque fasteners to specification.

TORQUE

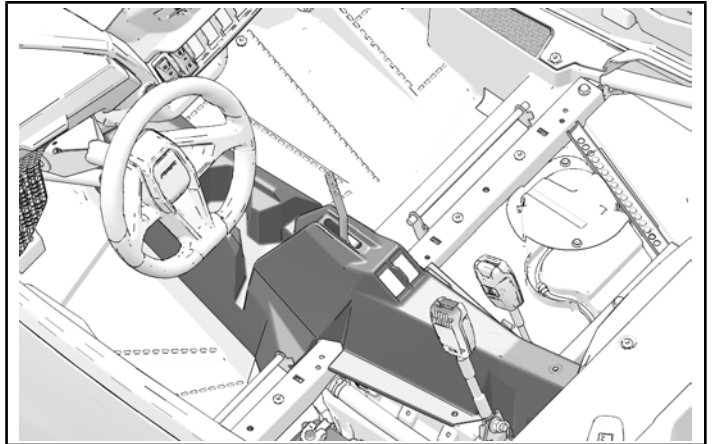
Rear Center Console Fasteners:
88 in-lbs (10 N·m)



TWO PASSENGER VEHICLES

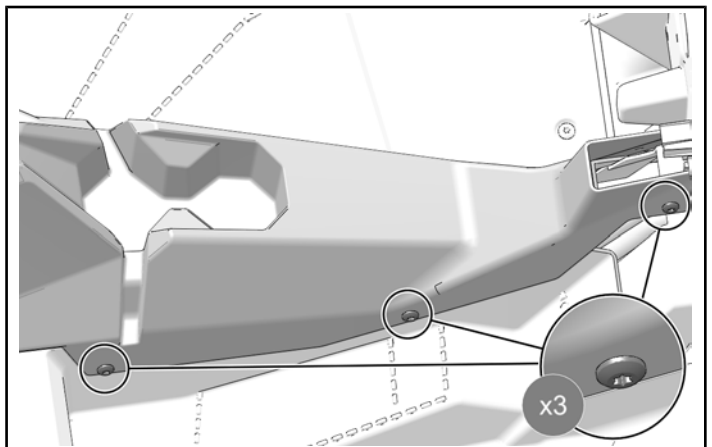
CONSOLE CENTER INSTALLATION

1. Put center console into vehicle and over shifter.

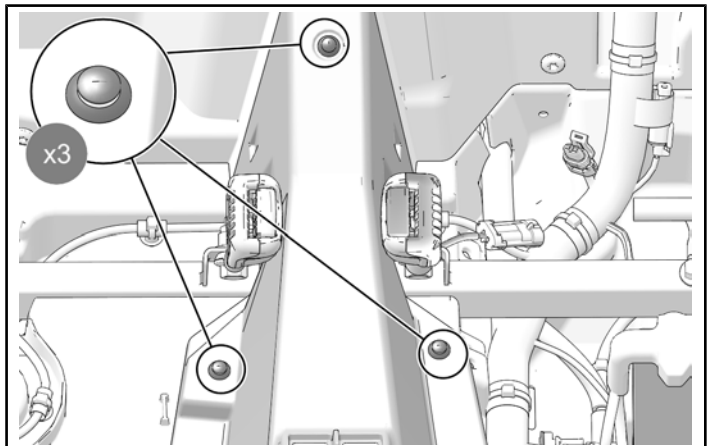


2. Install passenger side of center console with three retained fasteners.

Do not torque fasteners at this time.

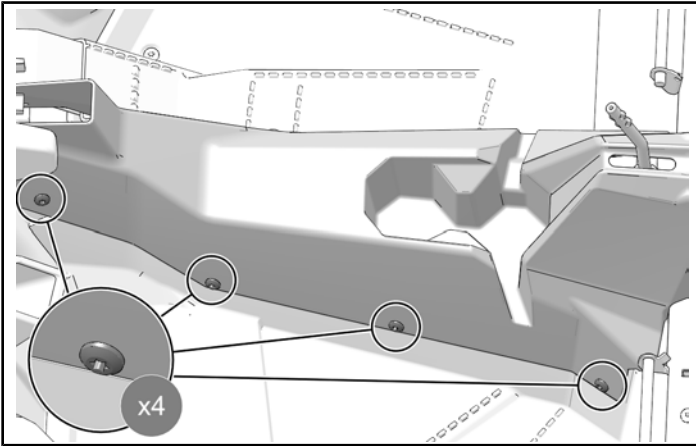


3. Install rear of center console with three retained push-pin rivets.



4. Install passenger side of center console with four retained fasteners.

Do not torque fasteners at this time.

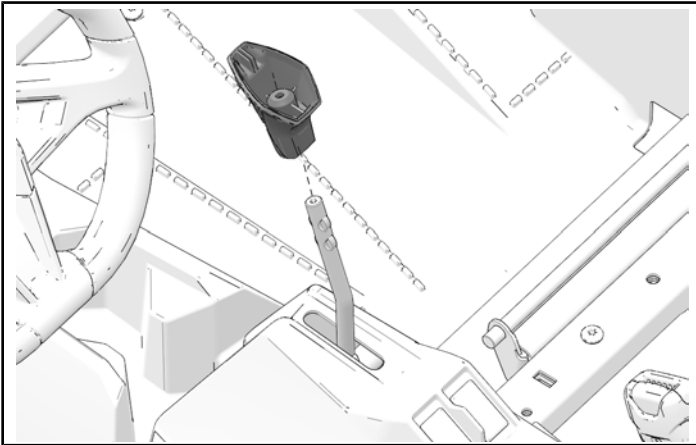


5. Torque all center console fasteners to specification.

TORQUE

Center Console Fasteners:
88 in-lbs (10 N·m)

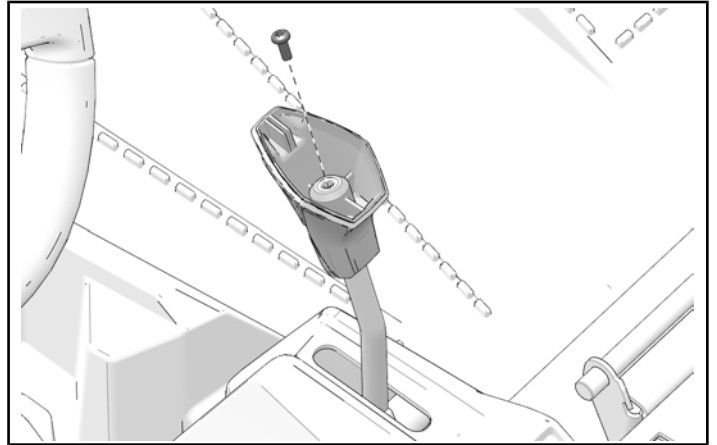
6. Put shifter handle onto shifter post.



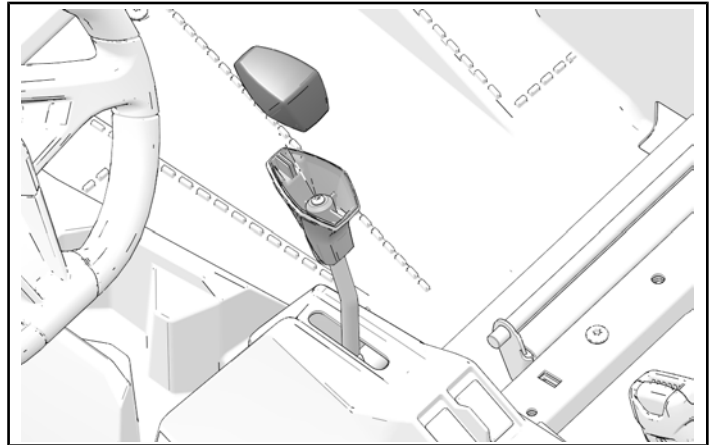
7. Install shifter handle with one retained fastener. Torque fastener to specification

TORQUE

Shifter Handle Fastener:
35 in-lbs (4 N·m)

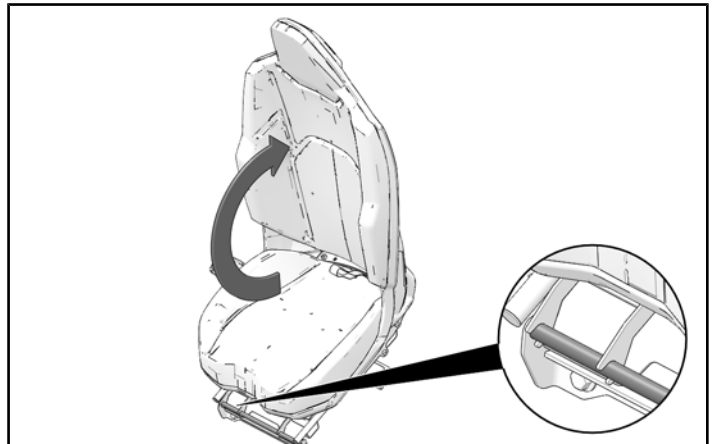


8. Install shifter cover.



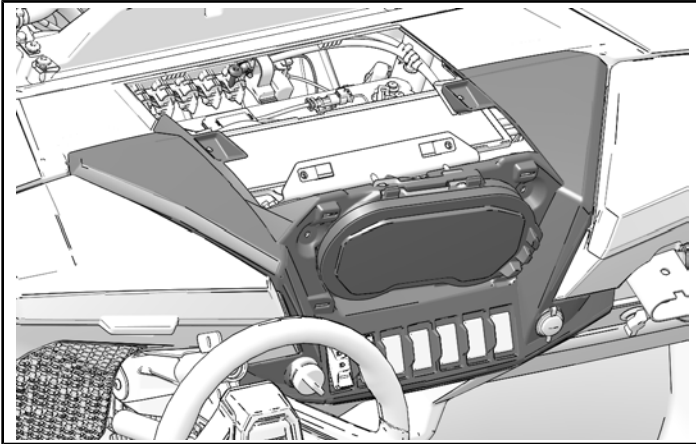
SEAT INSTALLATION

1. Put seat in vehicle with front resting on tube, as shown. Push seat back until it engages with rear tube.

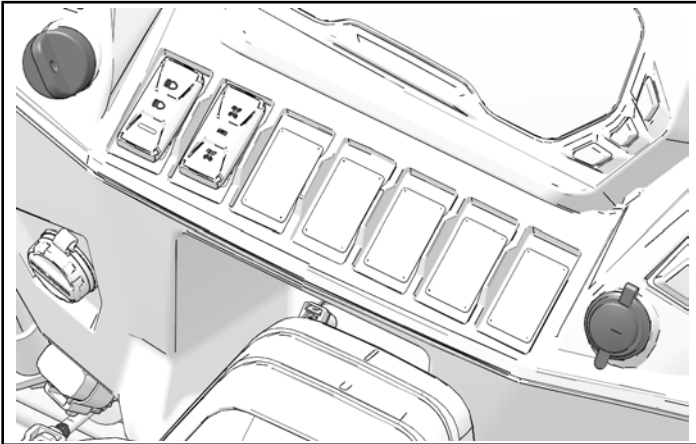


BEZEL INSTALLATION

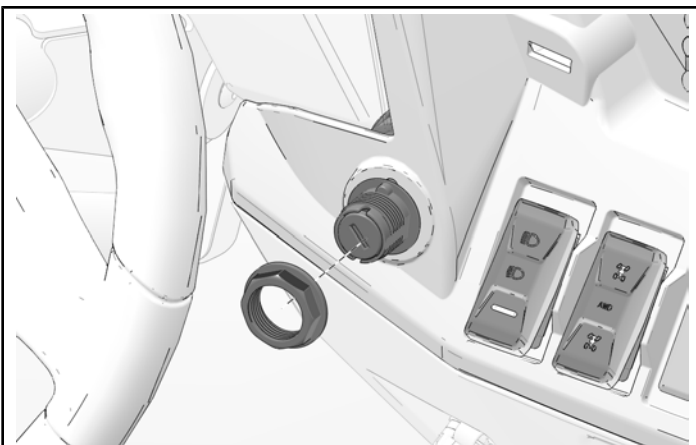
1. Put bezel near dashboard. Reach behind bezel and connect all electrical connections.



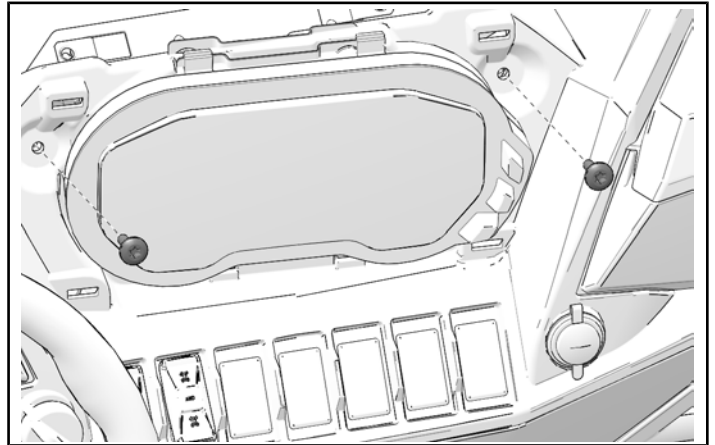
2. Install 12 V port on right-hand side.



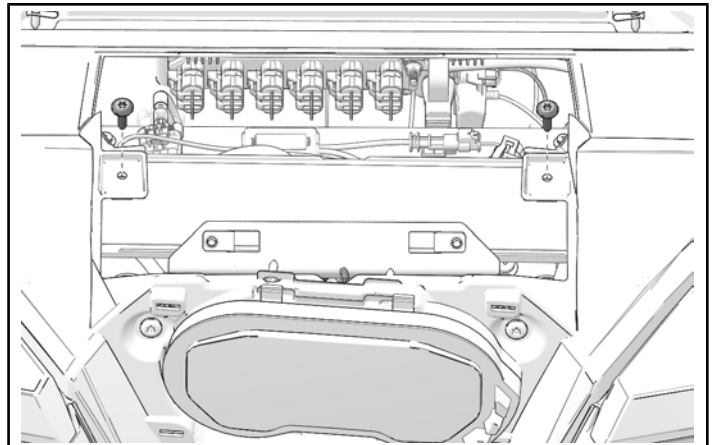
3. Push bezel into dashboard so that clips engage with dashboard.
4. Install ignition switch retaining nut. Torque nut until fully seated.



5. Install bezel with two lower bezel fasteners.



6. Install bezel with two upper fasteners.



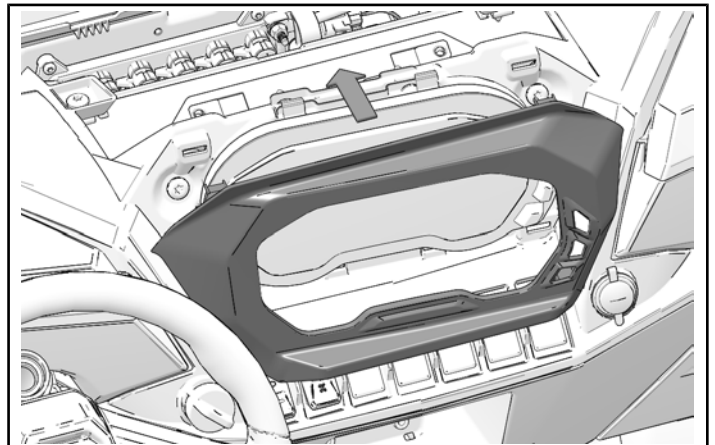
7. Torque four bezel fasteners to specification.

TORQUE

Bezel Fasteners:
88 in-lbs (10 N·m)

BEZEL COVER INSTALLATION

1. Push bezel cover into dashboard panel at each corner, making sure each clip engages with dashboard.

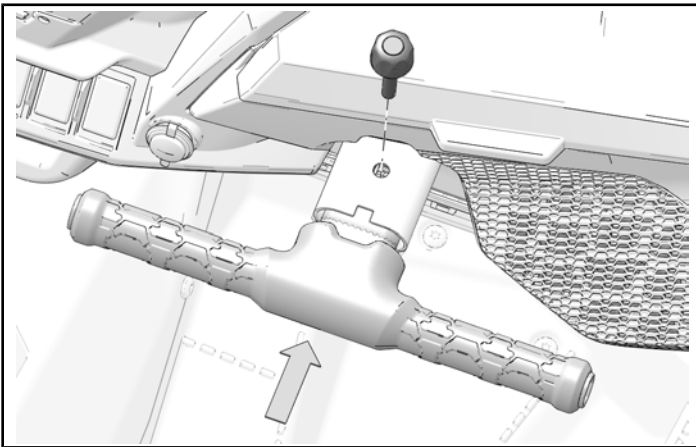


PASSENGER HANDLE INSTALLATION

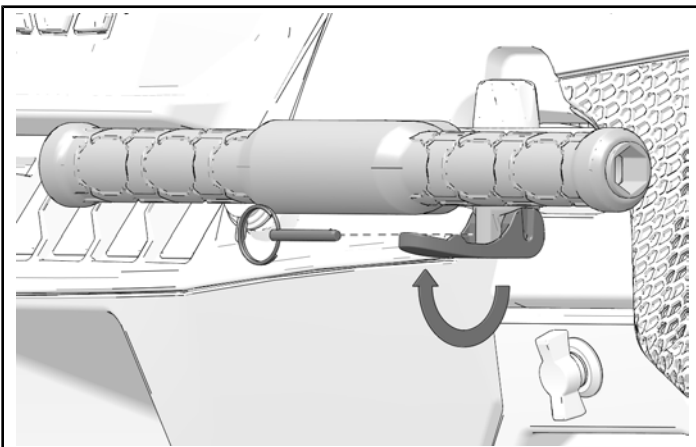
1. Install passenger handle with top retaining pins.

TIP

Side pin installs into top pin.



2. Align lever with top retaining pin and install side retaining pin.

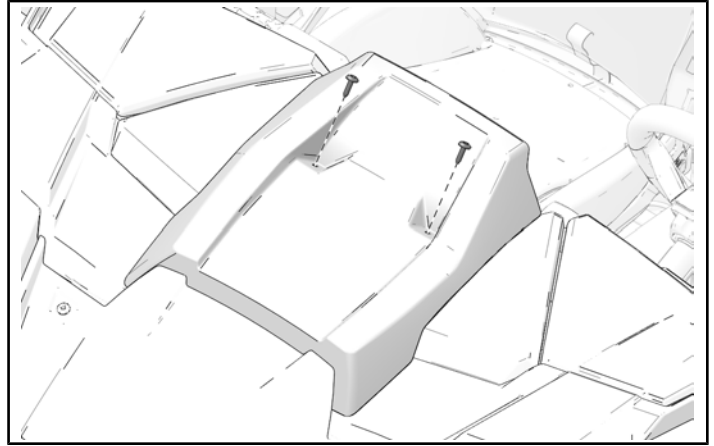


DASHBOARD CENTER INSTALLATION

1. Install center dashboard panel with two retained fasteners. Torque fasteners to specification.

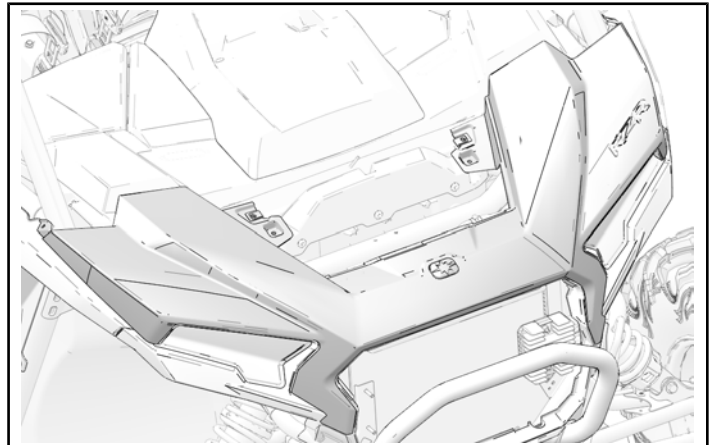
TORQUE

Dashboard Fasteners:
88 in-lbs (10 N·m)



OUTER HOOD INSTALLATION

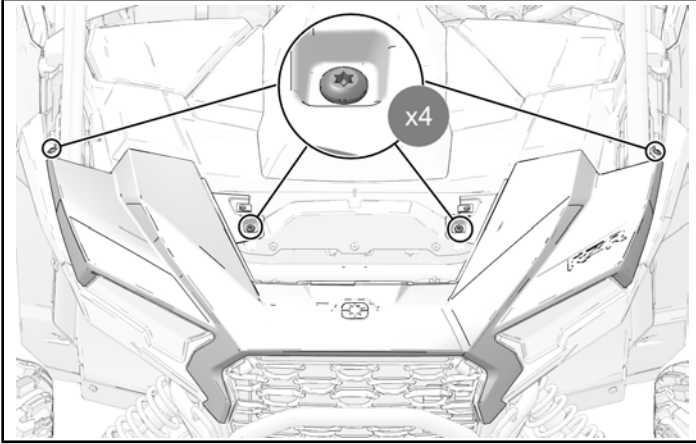
1. Put outer hood on vehicle in installed position.



2. Install outer hood fasteners with four retained fasteners. Torque the four fasteners to specification.

TORQUE

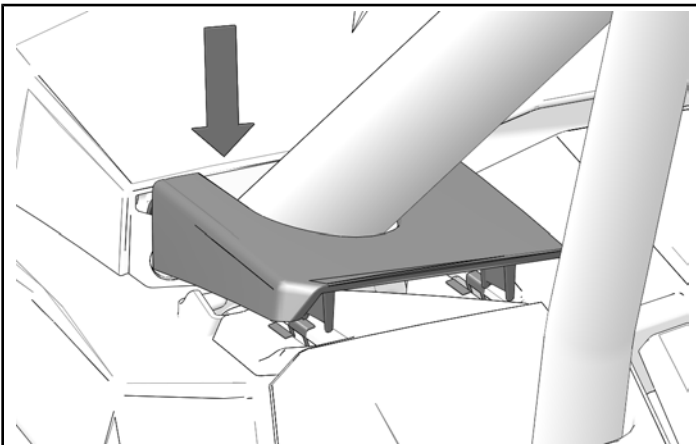
Outer Hood Fasteners
88 in-lbs (10 N·m)



3. Place front pocket fender around ROPS bar and into outer hood slots.

NOTICE

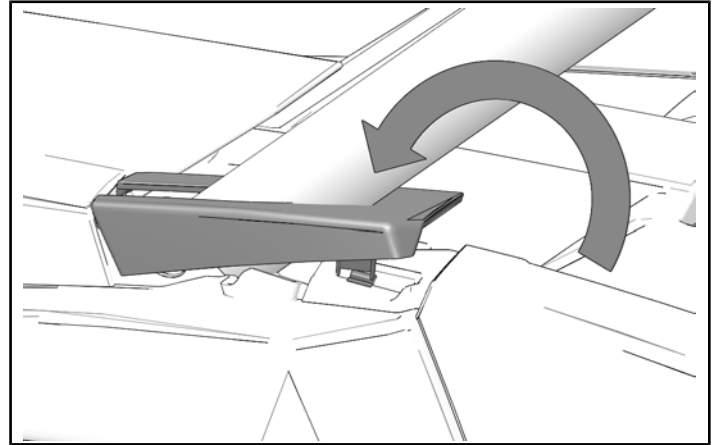
Left side shown, right side similar.



4. Gently push tab into clips until front pocket fender is secure.

NOTICE

Left side shown, right side similar.

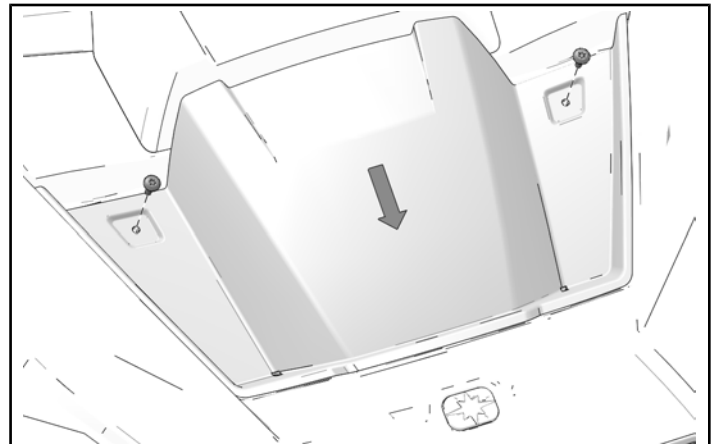


HOOD INSTALLATION

1. Move hood forward, into outer hood panel, and install with two retained fasteners. Torque fasteners to specification.

TORQUE

Hood Fasteners:
88 in-lbs (10 N·m)



GENERAL

1. Refer to the Service Manual for procedures on refilling the coolant and bleeding the coolant system.
2. Turn vehicle on and operate heater system until the air output is warm/hot. Turn temperature control to cool the air output and let system run for a few minutes. Turn temperature control to warm the air output until cooling fan cycles.
3. Verify coolant level.

INSTRUCTION FEEDBACK FORM

A feedback form has been created for the installer to provide any comments, questions or concerns about the installation instructions. The form is viewable on mobile devices by scanning the QR code or by clicking [HERE](#) if viewing on a PC.

