

REAR PANEL KIT



P/N 2884519

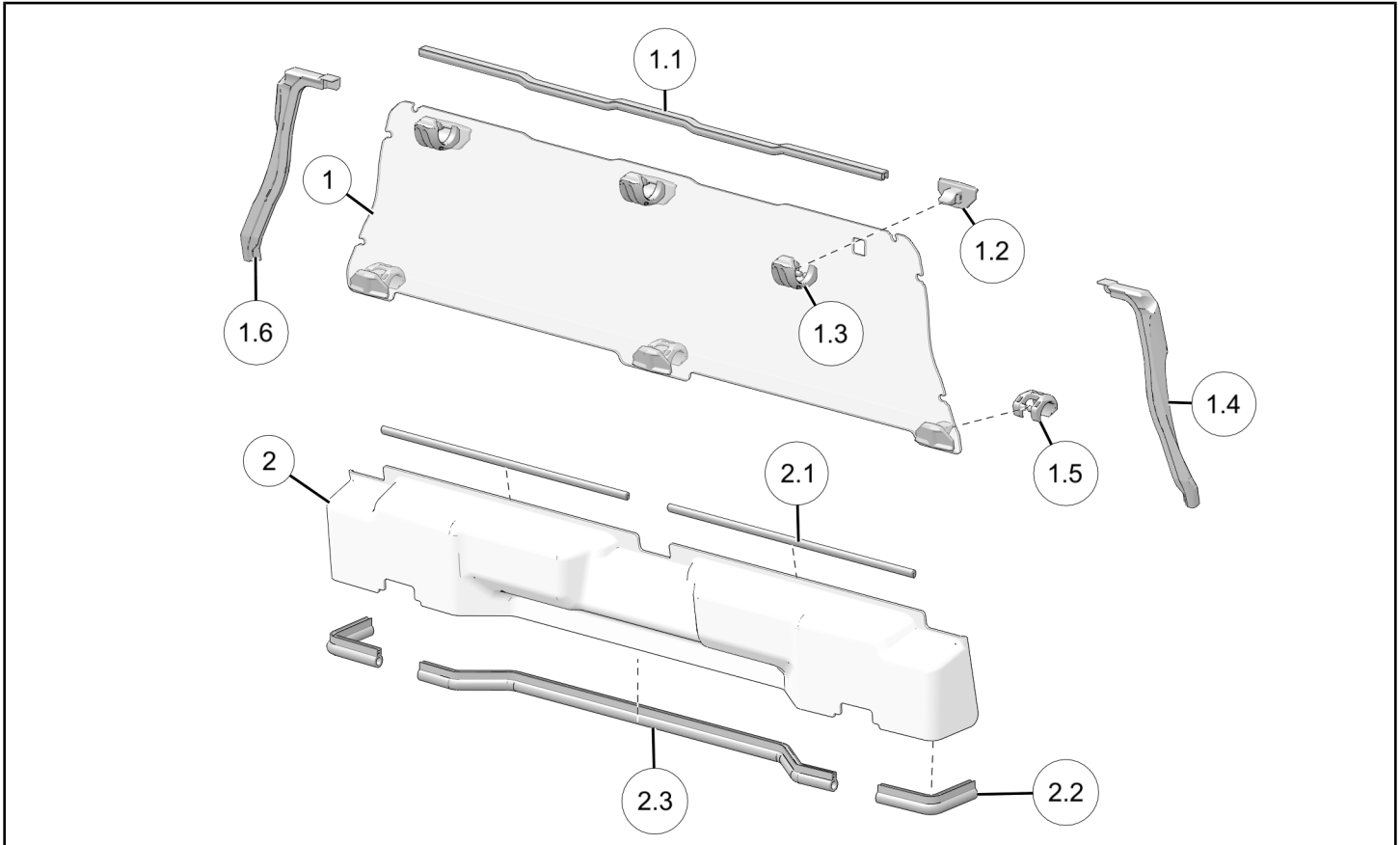
BEFORE YOU BEGIN

Read these instructions and check to be sure all parts and tools are accounted for. Please retain these installation instructions for future reference and parts ordering information.

APPLICATION

Verify accessory fitment at www.polaris.com.

KIT CONTENTS



REF	QTY	PART DESCRIPTION	P/N AVAILABLE SEPARATELY	AVAILABLE SERVICE KIT
1	1	Assembly–Panel, Rear, Upper	n/a	n/a
1.1	1	Seal–Bulb, Top	n/a	2208859
1.2	6	Clamp–Base, Lock & Ride®	n/a	2208859
1.3	3	Clamp–Hook, Large Diameter, Lock & Ride®	n/a	2208859
1.4	1	Seal–Bulb, Right-Hand	n/a	2208859
1.5	3	Clamp–Hook, Small Diameter, Lock & Ride®	n/a	2208859
1.6	1	Seal–Bulb, Left-Hand	n/a	2208859
2	1	Assembly–Panel, Rear, Lower	n/a	n/a

REF	QTY	PART DESCRIPTION	P/N AVAILABLE SEPARATELY	AVAILABLE SERVICE KIT
2.1	2	Seal-Bulb, Top	n/a	2208859
2.2	2	Seal-Bulb, Corner	n/a	2208859
2.3	1	Seal-Bulb, Bottom	n/a	2208859

TOOLS REQUIRED

None

IMPORTANT

Your Rear Panel Kit is exclusively designed for your vehicle. Please read the installation instructions thoroughly before beginning. Installation is easier if the vehicle is clean and free of debris. For your safety, and to ensure a satisfactory installation, perform all installation steps correctly in the sequence shown.

INSTALLATION INSTRUCTIONS

VEHICLE PREPARATION

GENERAL

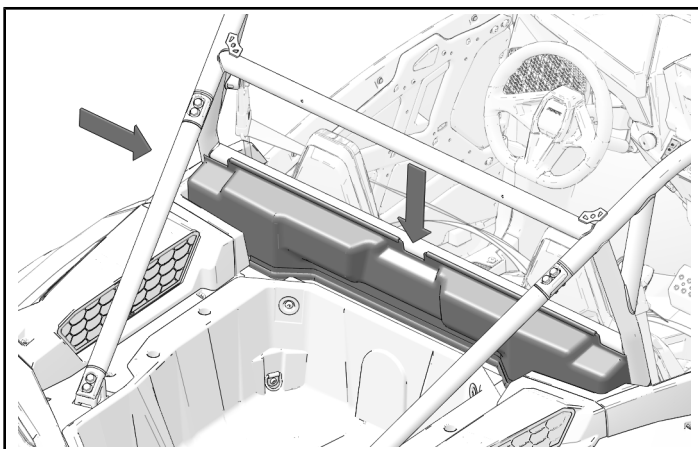
1. Park vehicle on a flat surface.
2. Shift vehicle into PARK.
3. Turn key to OFF position and remove key.

ACCESSORY INSTALLATION

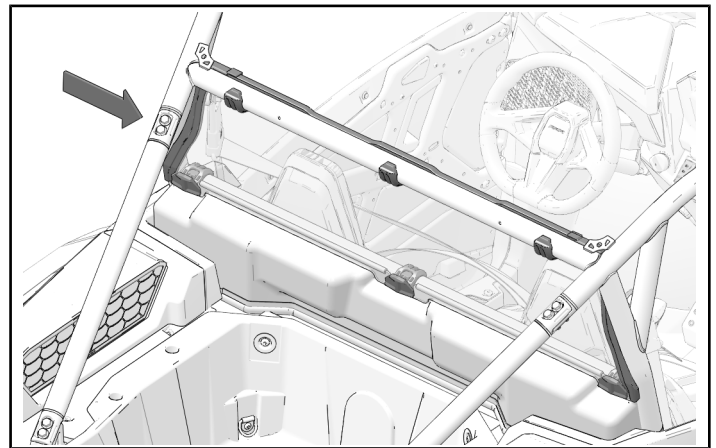
1. Put lower rear panel between rear intakes and cross-beam.

TIP

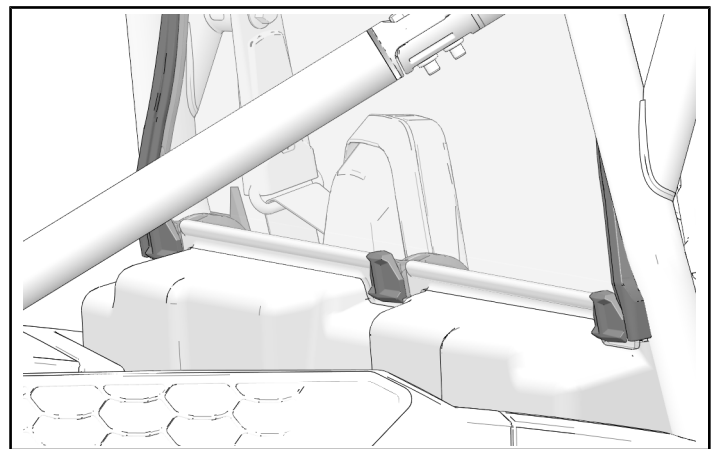
If equipped with rear speakers, make sure bottom and corner seals are fully seated against vehicle panels.



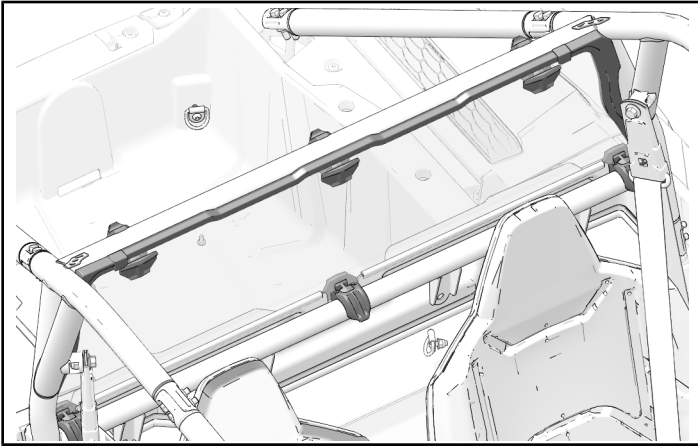
2. Put upper rear panel over lower rear panel and tilt top edge so that it rests on the inside of the upper cross-beam.



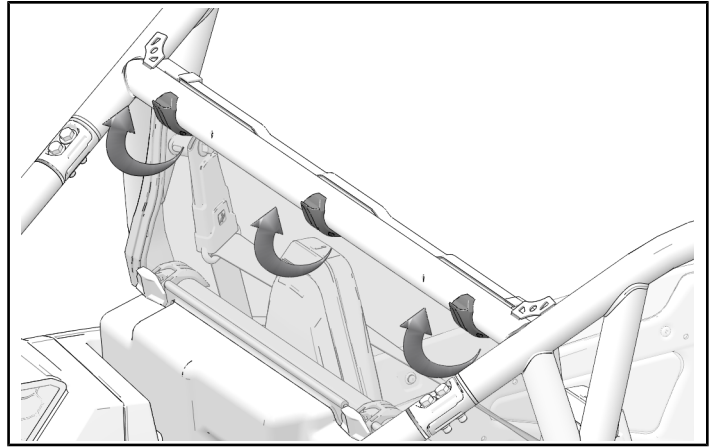
3. Upper rear panel should rest on the outside of the lower rear panel.



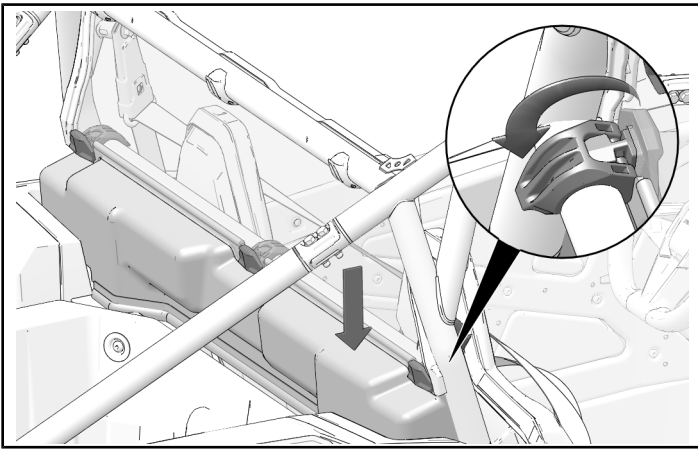
4. Top seal should rest on the inside of the upper cross-beam



6. Close three upper Lock & Ride® clamps.



5. Push down on bottom rear panel and close three Lock & Ride® clamps.



INSTRUCTION FEEDBACK FORM

A feedback form has been created for the installer to provide any comments, questions or concerns about the installation instructions. The form is viewable on mobile devices by scanning the QR code or by clicking [HERE](#) if viewing on a PC.

