

FRONT BUMPER KIT



P/N 2884513-XXX; 2884515-XXX

BEFORE YOU BEGIN

Read these instructions and check to be sure all parts and tools are accounted for. Please retain these installation instructions for future reference and parts ordering information.

ACCESSORY WEIGHT

Accessories, passengers, and other factors may negatively affect ride performance. Refer to your vehicle's owner's manual for maximum weight capacity and suspension adjustment procedures.

APPLICATION

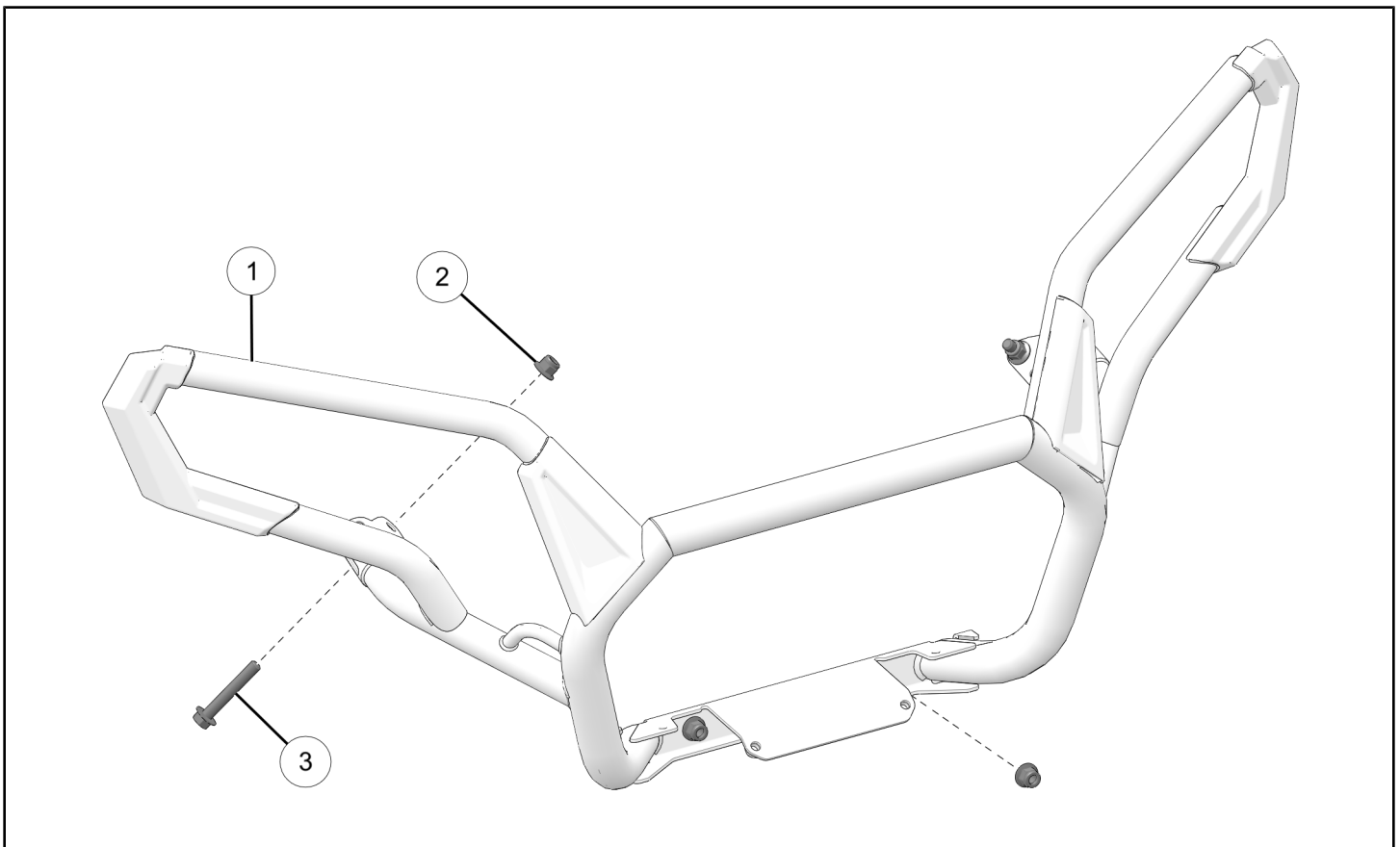
Verify accessory fitment at www.polaris.com.

KIT CONTENTS

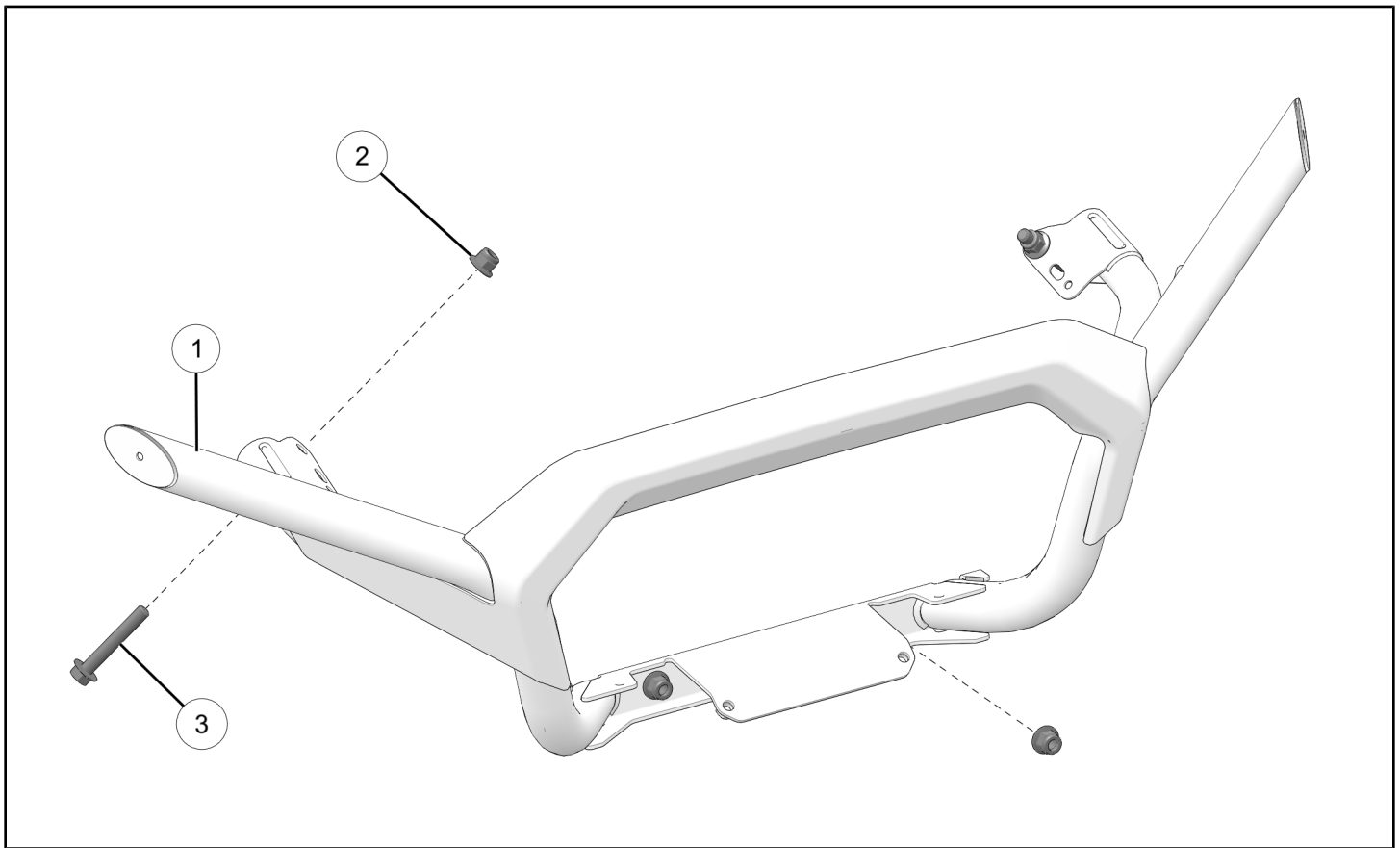
NOTICE

XXX = Polaris® color code (For example: 458 = Black)

PREMIUM FRONT BUMPER P/N 2884513-XXX



BASIC FRONT BUMPER P/N 2884515-XXX



REF	QTY	PART DESCRIPTION	P/N AVAILABLE SEPARATELY	AVAILABLE SERVICE KIT
1	1	Bumper-Front	n/a	n/a
2	4	Nut-Hex Flange, Nylon Locking M10 x 1.5 mm	n/a	2208736
3	2	Screw-Hex Head Flange, M10 x 1.5 x 65 mm	n/a	2208736

TOOLS REQUIRED

- Safety Glasses
- Pliers, Push Pin Rivet
- Socket Set, Metric
- Socket Set, Torx® Bit
- Torque Wrench
- Wrench Set, Metric

IMPORTANT

Your Front Bumper Kit is exclusively designed for your vehicle. Please read the installation instructions thoroughly before beginning. Installation is easier if the vehicle is clean and free of debris. For your safety, and to ensure a satisfactory installation, perform all installation steps correctly in the sequence shown.

INSTALLATION INSTRUCTIONS

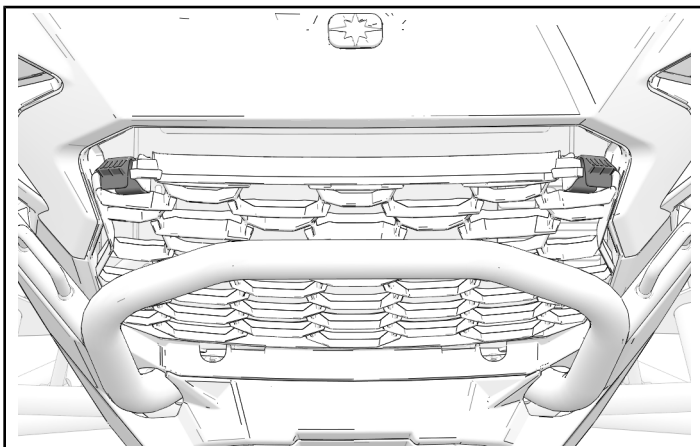
VEHICLE PREPARATION

GENERAL

1. Park vehicle on a flat surface.
2. Shift vehicle into PARK.
3. Turn key to OFF position and remove key.

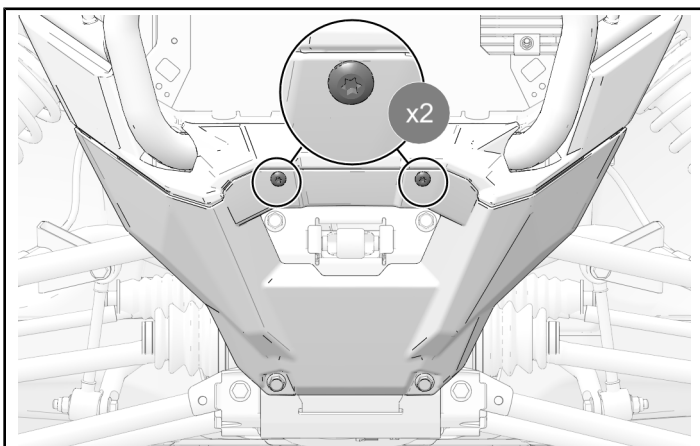
GRILLE REMOVAL

1. Push two tabs down to remove grille.

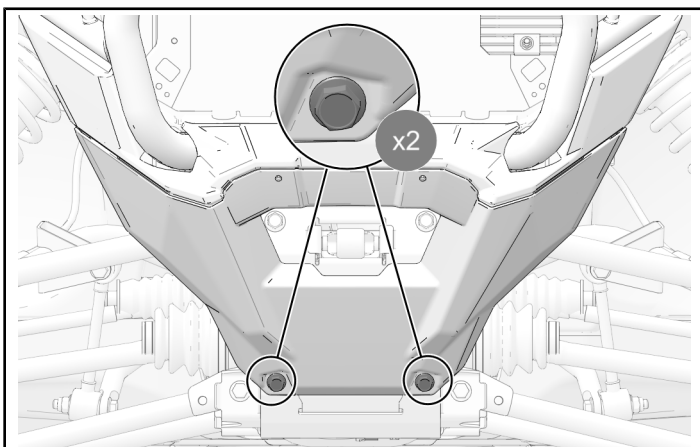


WINCH COVER REMOVAL

1. Remove two upper winch cover fasteners.



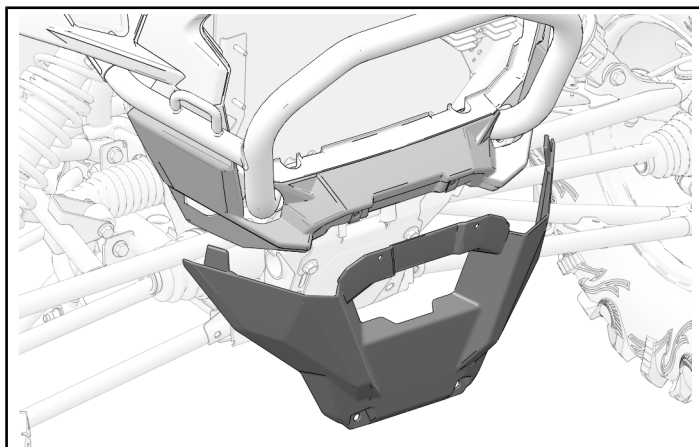
2. Remove two lower winch cover fasteners.



3. Remove winch cover from lower fascia.

TIP

Make sure tabs are disengaged from lower front fascia before pulling winch cover away.

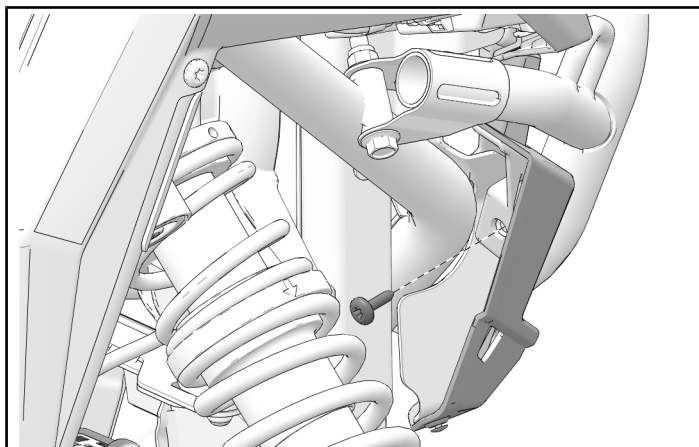


LOWER FRONT FASCIA REMOVAL

1. Remove two lower fascia fasteners.

NOTICE

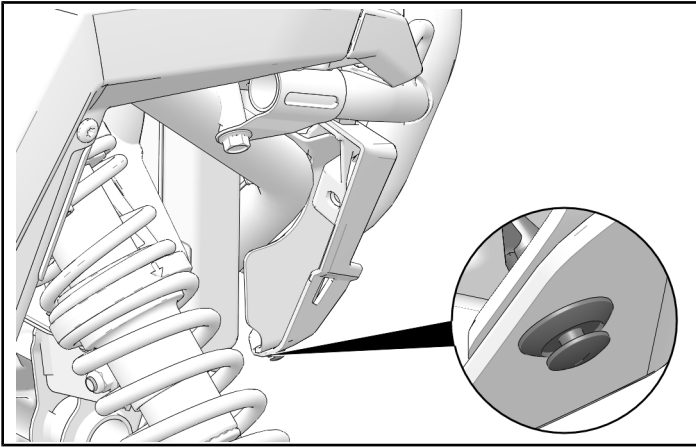
One side shown; other side similar.



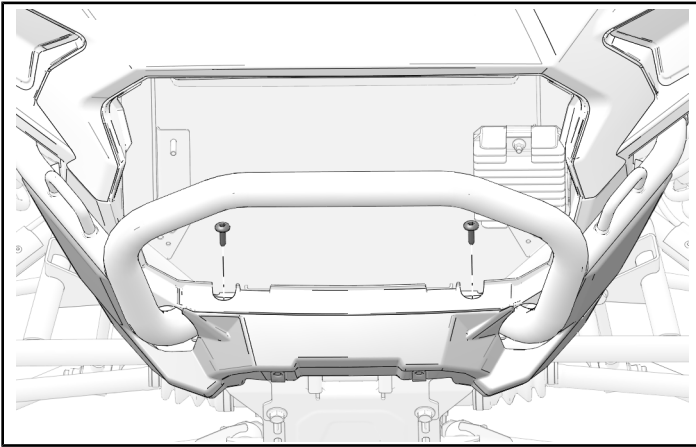
2. Remove one push-pin rivet from each side of front fascia.

NOTICE

One side shown; other side similar.

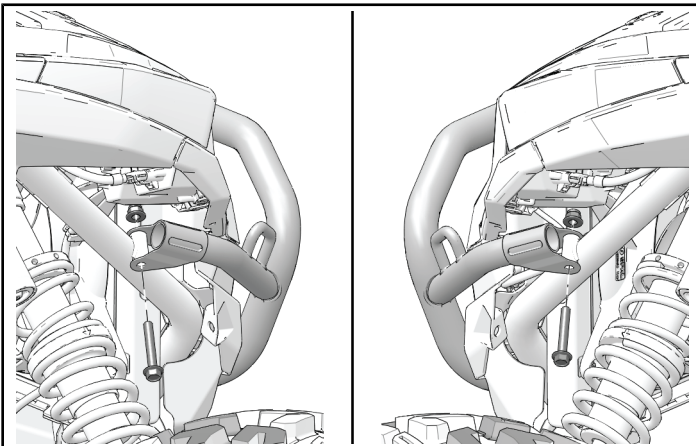


3. Remove two upper fascia fasteners.

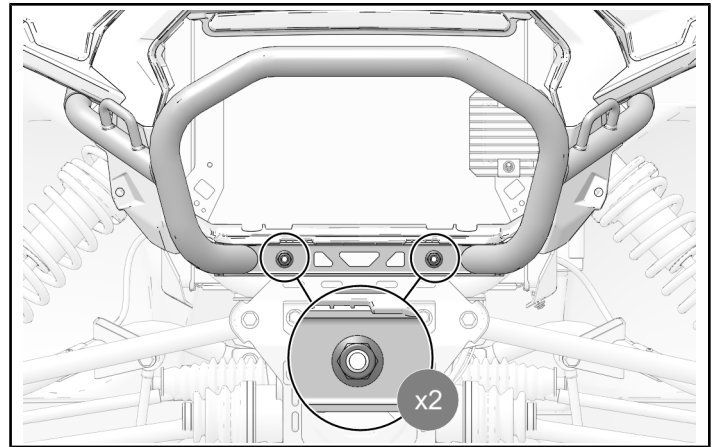


FRONT BUMPER REMOVAL

1. Remove one nut and one fastener from each side of bumper.

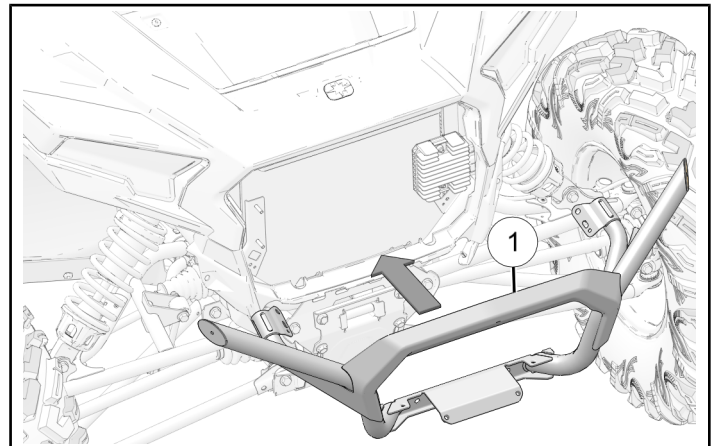


2. Remove two nuts from front of bumper.



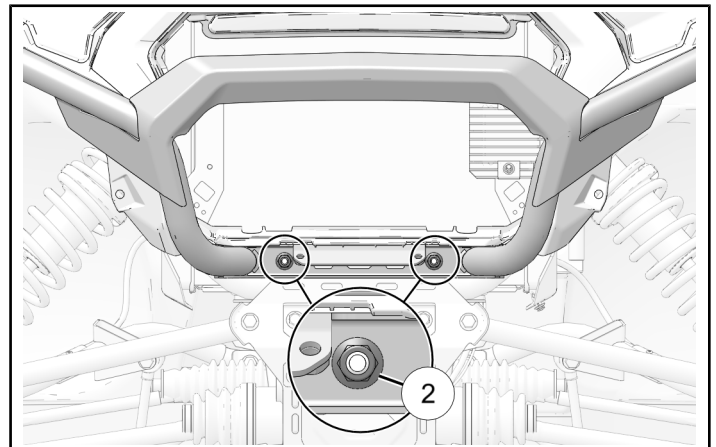
ACCESSORY INSTALLATION

1. Align accessory bumper ① with mounting points of stock bumper.



2. Loosely install front of bumper with two nuts ②.

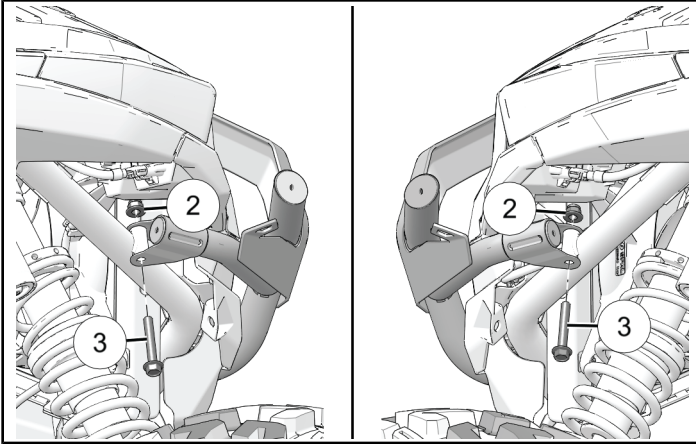
Do not torque nuts at this time.



3. Install sides of front bumper with one nut ② and one fastener ③ per side. Counter-hold nuts and torque fasteners to specification.

TORQUE

Front Bumper Fasteners ③:
30 ft-lbs (40 N·m)



4. Torque two front nuts to specification.

TORQUE

Front Bumper Nuts ②:
30 ft-lbs (40 N·m)

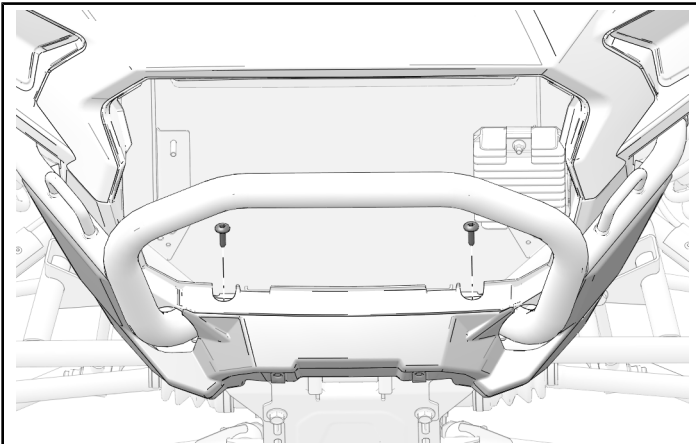
VEHICLE REASSEMBLY

LOWER FRONT FASCIA INSTALLATION

1. Install two upper fascia fasteners. Torque fasteners to specification.

TORQUE

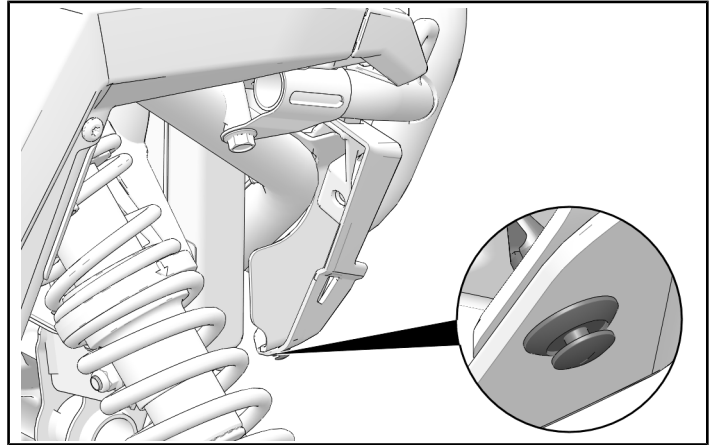
Upper Fascia Fasteners:
70 in-lbs (8 N·m)



2. Install front fascia to radiator shroud with two push-pin rivets.

NOTICE

One side shown; other side similar.



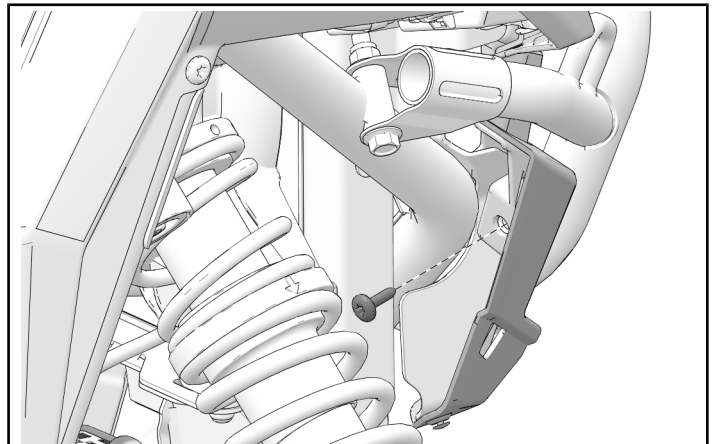
3. Install two upper fascia fasteners. Torque fasteners to specification.

NOTICE

One side shown; other side similar.

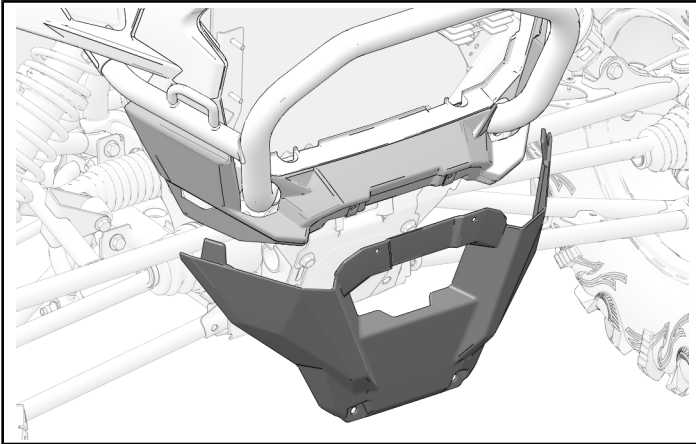
TORQUE

Lower Fascia Fasteners:
88 in-lbs (10 N·m)



WINCH COVER INSTALLATION

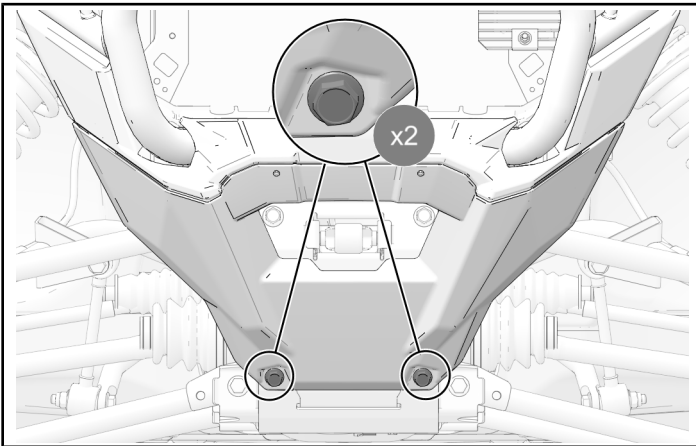
1. Align winch cover with lower front fascia. Make sure two tabs are inserted into fascia.



2. Install winch cover with two retained fasteners. Torque fasteners to specification.

TORQUE

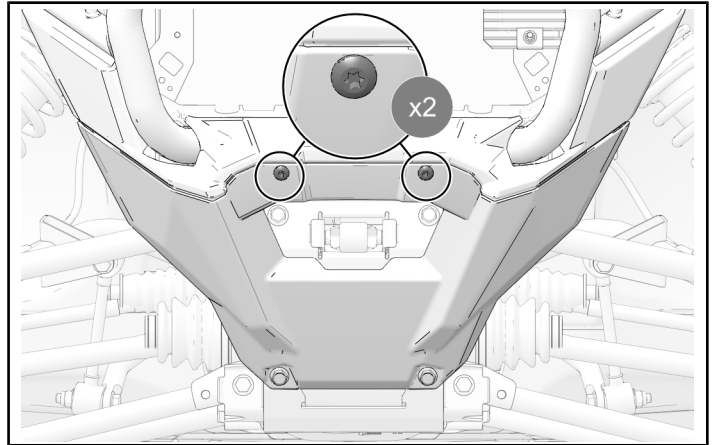
Lower Winch Cover Fasteners:
88 in-lbs (10 N·m)



3. Install winch cover with two retained fasteners. Torque fasteners to specification.

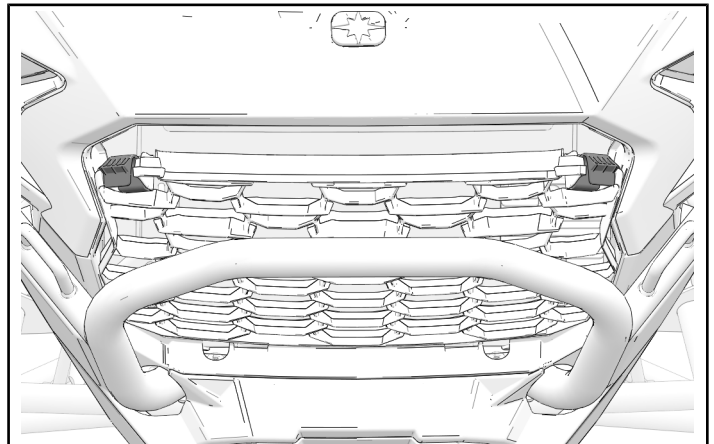
TORQUE

Upper Winch Cover Fasteners:
88 in-lbs (10 N·m)



GRILLE INSTALLATION

1. Put bottom of grille in first and push top of grille in until two tabs engage upper front fascia.



INSTRUCTION FEEDBACK FORM

A feedback form has been created for the installer to provide any comments, questions or concerns about the installation instructions. The form is viewable on mobile devices by scanning the QR code or by clicking [HERE](#) if viewing on a PC.

