

# FRONT BUMPER KIT



P/N 2884513-XXX; 2884515-XXX

## BEFORE YOU BEGIN

Read these instructions and check to be sure all parts and tools are accounted for. Please retain these installation instructions for future reference and parts ordering information.

## ACCESSORY WEIGHT

Accessories, passengers, and other factors may negatively affect ride performance. Refer to your vehicle's owner's manual for maximum weight capacity and suspension adjustment procedures.

## APPLICATION

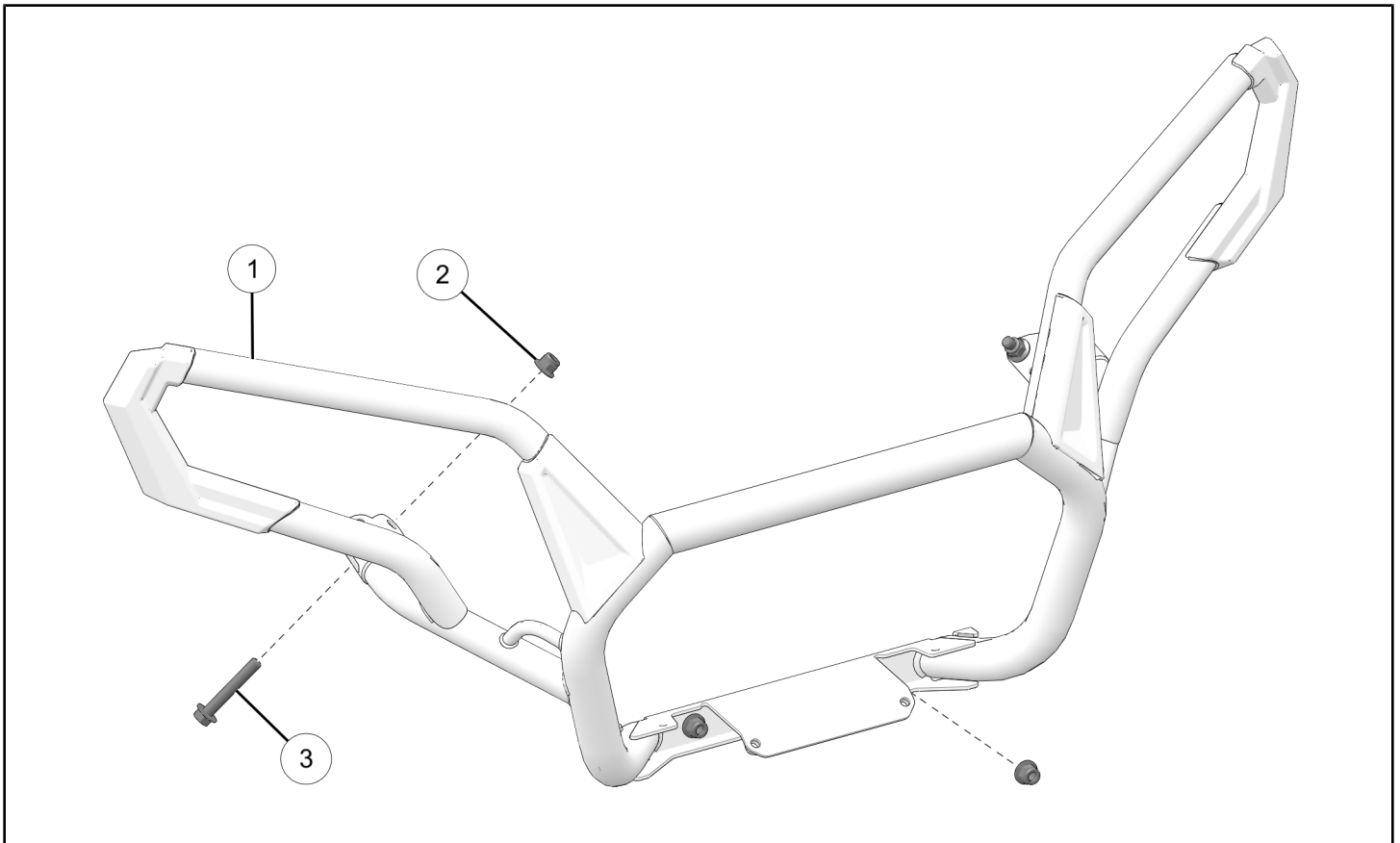
Verify accessory fitment at [www.polaris.com](http://www.polaris.com).

## KIT CONTENTS

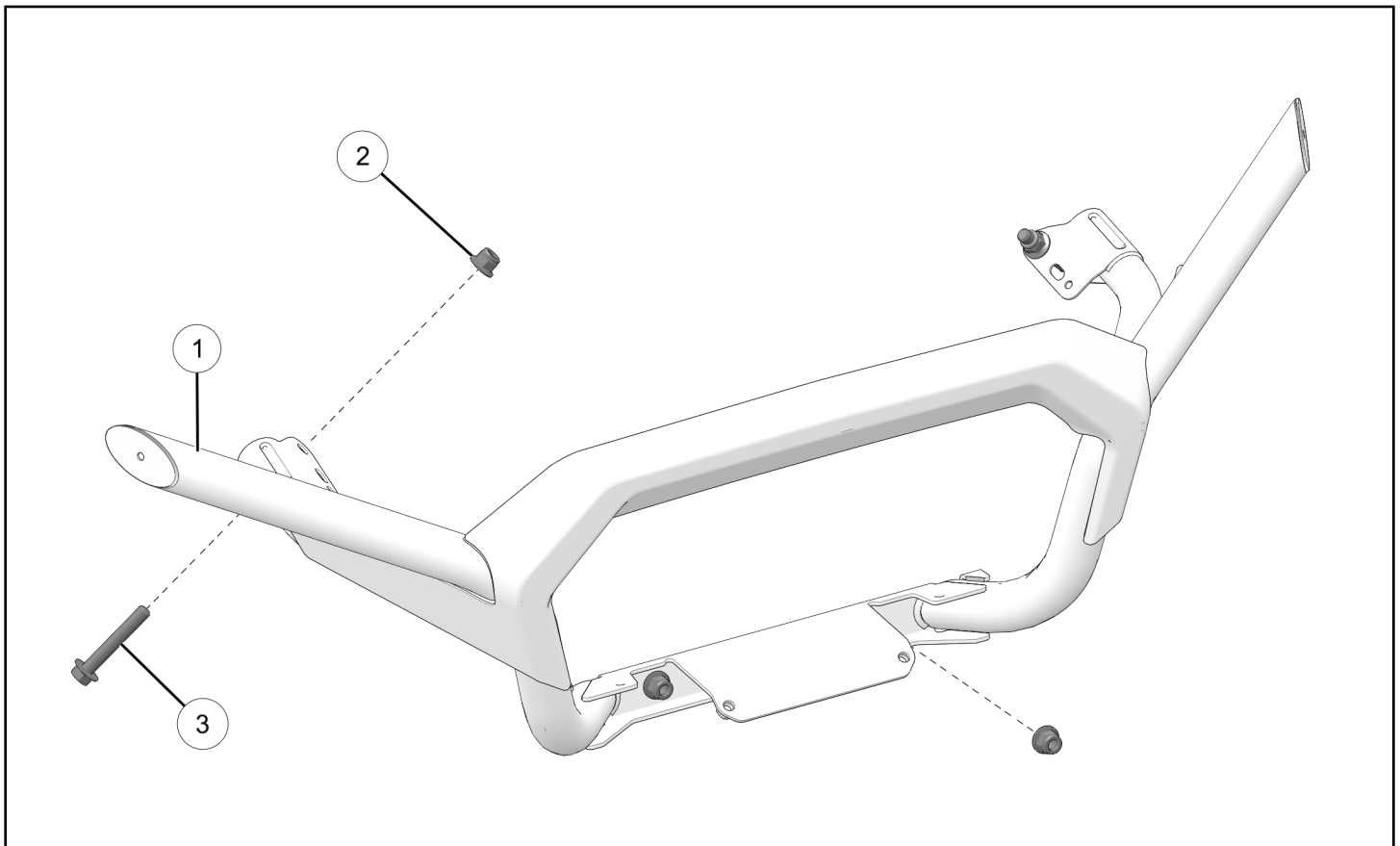
### NOTICE

XXX = Polaris® color code (For example: 458 = Black)

## PREMIUM FRONT BUMPER P/N 2884513-XXX



## BASIC FRONT BUMPER P/N 2884515-XXX



| REF | QTY | PART DESCRIPTION                           | P/N AVAILABLE SEPARATELY | AVAILABLE SERVICE KIT |
|-----|-----|--|--------------------------|-----------------------|
| 1   | 1   | Bumper-Front                               | n/a                      | n/a                   |
| 2   | 4   | Nut-Hex Flange, Nylon Locking M10 x 1.5 mm | n/a                      | 2208736               |
| 3   | 2   | Screw-Hex Head Flange, M10 x 1.5 x 65 mm   | n/a                      | 2208736               |

### TOOLS REQUIRED

- Safety Glasses
- Pliers, Push Pin Rivet
- Socket Set, Metric
- Socket Set, Torx® Bit
- Torque Wrench
- Wrench Set, Metric

### IMPORTANT

Your Front Bumper Kit is exclusively designed for your vehicle. Please read the installation instructions thoroughly before beginning. Installation is easier if the vehicle is clean and free of debris. For your safety, and to ensure a satisfactory installation, perform all installation steps correctly in the sequence shown.

### INSTALLATION INSTRUCTIONS

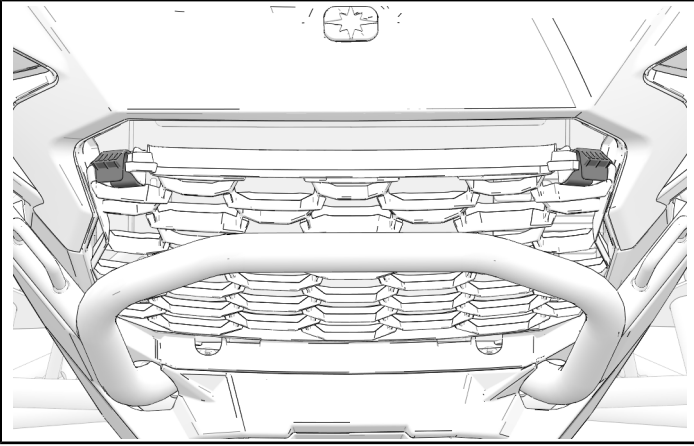
#### VEHICLE PREPARATION

##### GENERAL

1. Park vehicle on a flat surface.
2. Shift vehicle into PARK.
3. Turn key to OFF position and remove key.

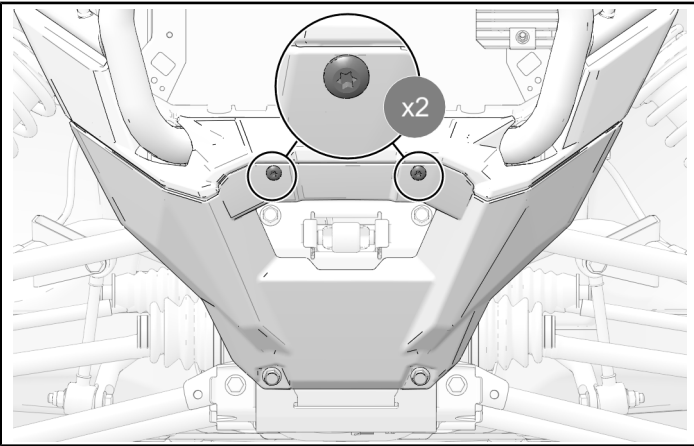
## GRILLE REMOVAL

1. Push two tabs down to remove grille.

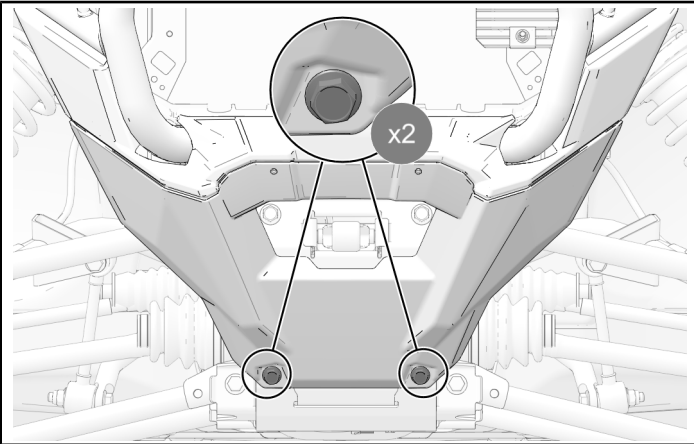


## WINCH COVER REMOVAL

1. Remove two upper winch cover fasteners.



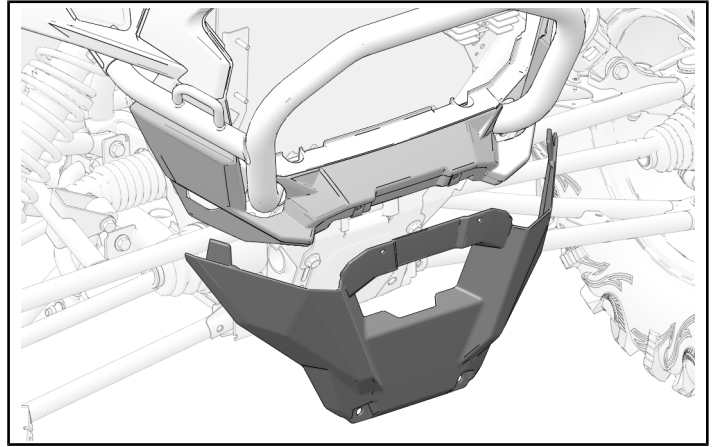
2. Remove two lower winch cover fasteners.



3. Remove winch cover from lower fascia.

### TIP

Make sure tabs are disengaged from lower front fascia before pulling winch cover away.

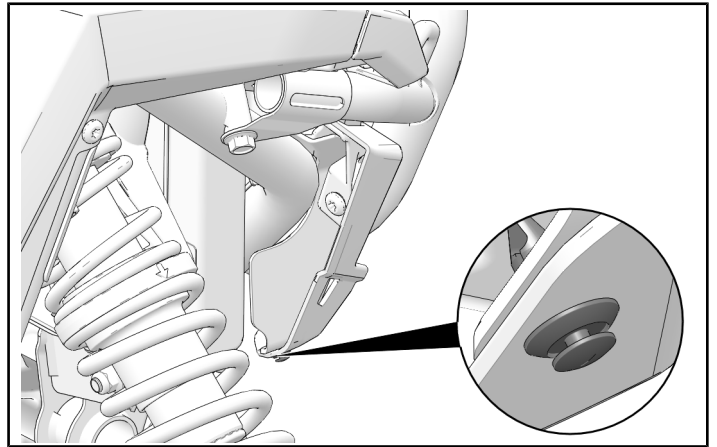


## LOWER FRONT FASCIA REMOVAL

1. Remove one push-pin rivet from each side of front fascia.

### NOTICE

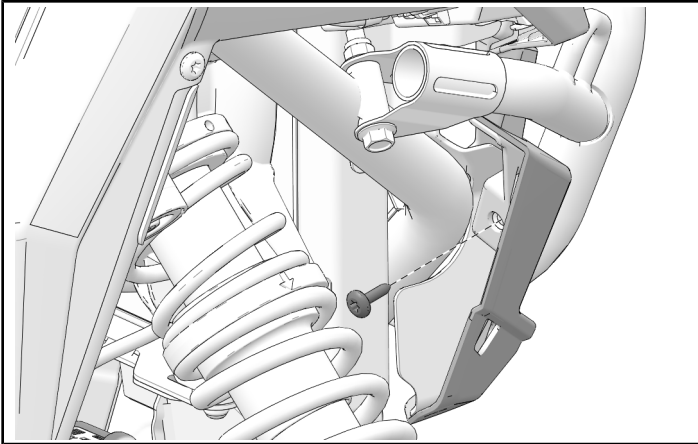
One side shown; other side similar.



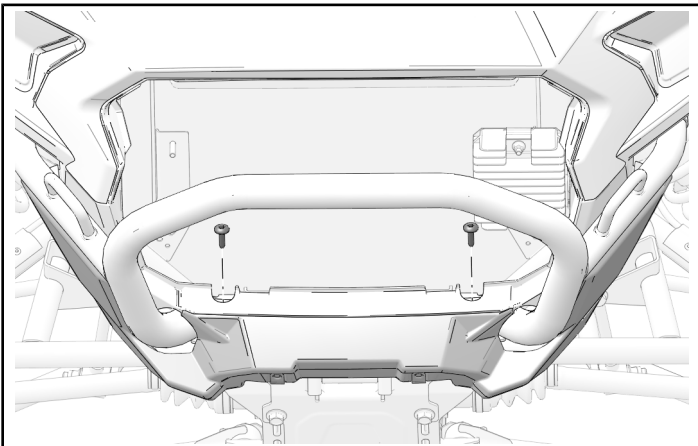
2. Remove two lower fascia fasteners.

**NOTICE**

One side shown; other side similar.

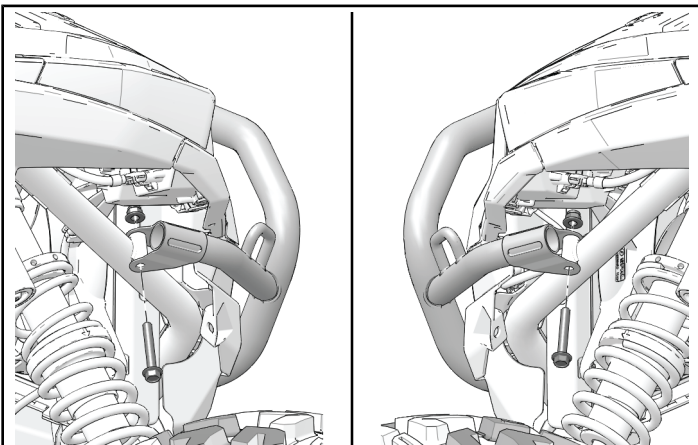


3. Remove two upper fascia fasteners.

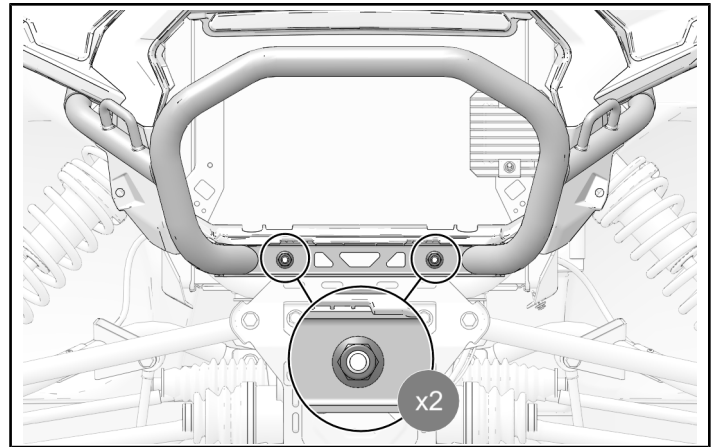


**FRONT BUMPER REMOVAL**

1. Remove one nut and one fastener from each side of bumper.

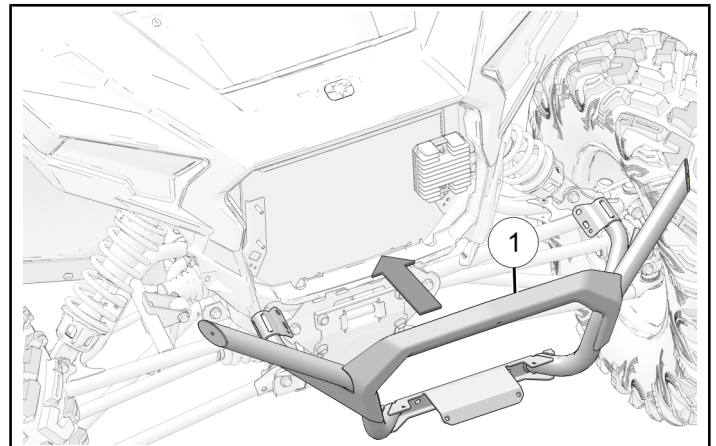


2. Remove two nuts from front of bumper.



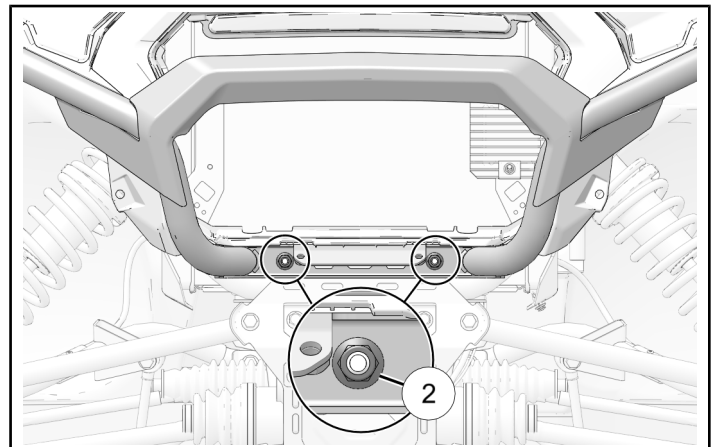
**ACCESSORY INSTALLATION**

1. Align accessory bumper ① with mounting points of stock bumper.



2. Loosely install front of bumper with two nuts ②.

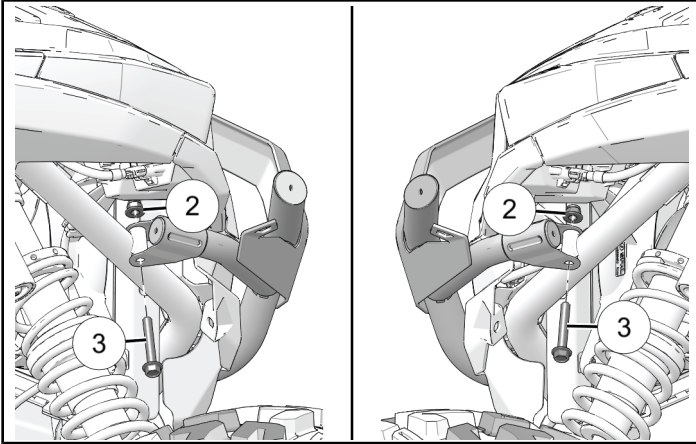
Do not torque nuts at this time.



3. Install sides of front bumper with one nut ② and one fastener ③ per side. Counter-hold nuts and torque fasteners to specification.

**TORQUE**

Front Bumper Fasteners ③:  
**30 ft-lbs (40 N·m)**



4. Torque two front nuts to specification.

**TORQUE**

Front Bumper Nuts ②:  
**30 ft-lbs (40 N·m)**

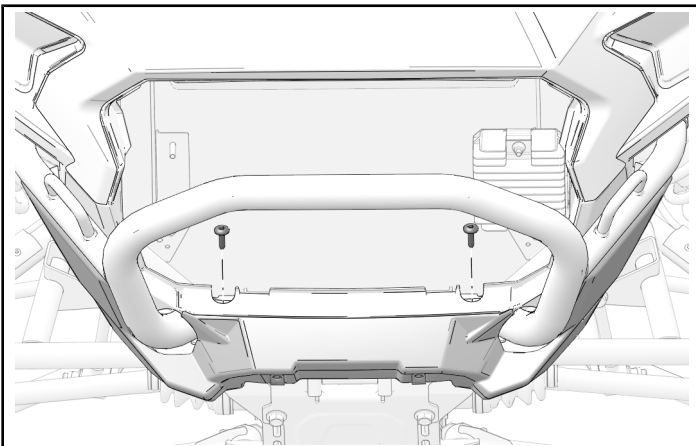
**VEHICLE REASSEMBLY**

**LOWER FRONT FASCIA INSTALLATION**

1. Install two upper fascia fasteners. Torque fasteners to specification.

**TORQUE**

Upper Fascia Fasteners:  
**88 in-lbs (10 N·m)**



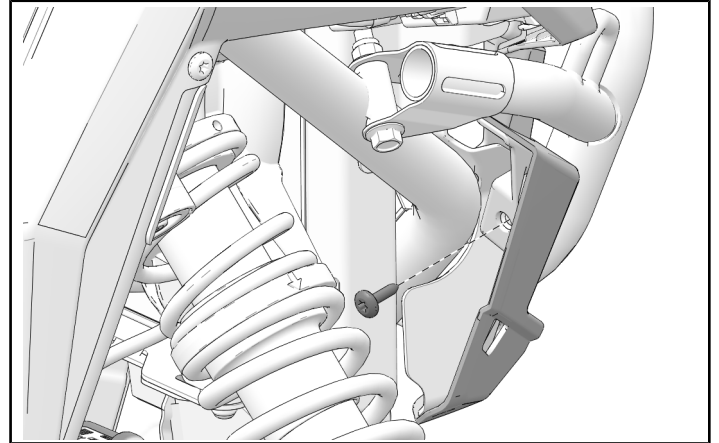
2. Install two upper fascia fasteners. Torque fasteners to specification.

**NOTICE**

One side shown; other side similar.

**TORQUE**

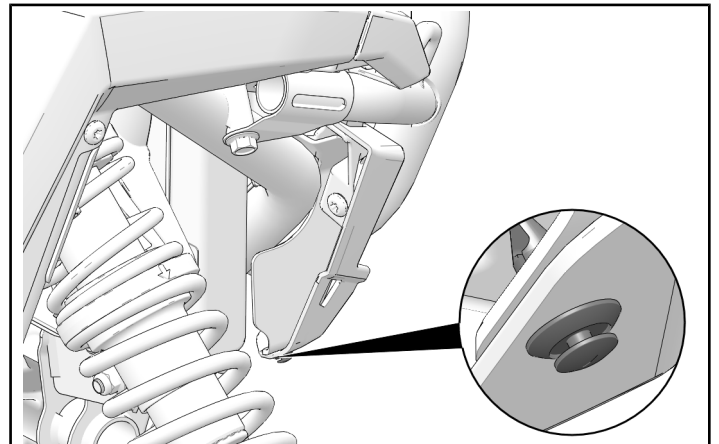
Lower Fascia Fasteners:  
**88 in-lbs (10 N·m)**



3. Install front fascia to radiator shroud with two push-pin rivets.

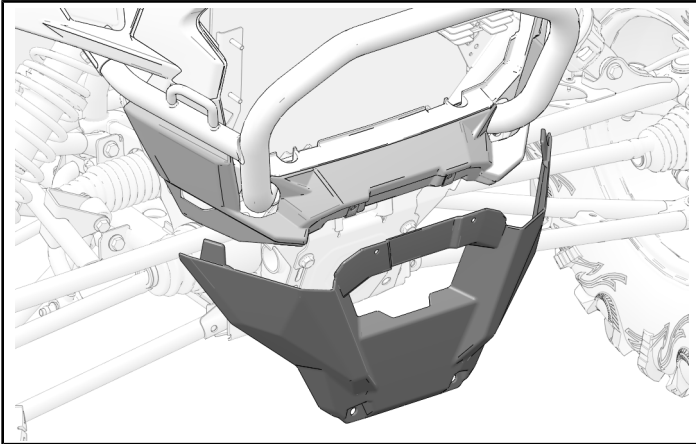
**NOTICE**

One side shown; other side similar.



## WINCH COVER INSTALLATION

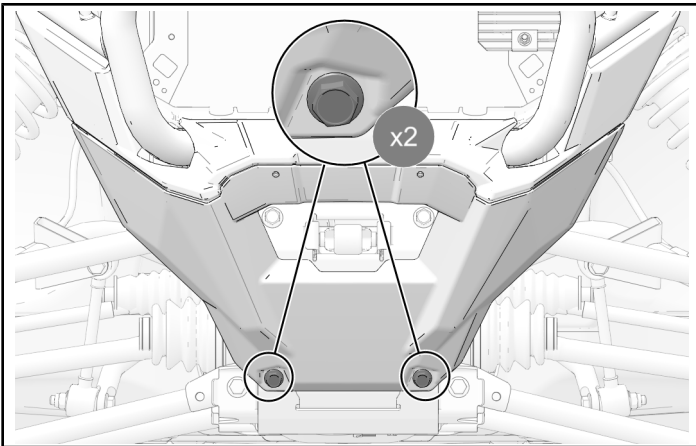
1. Align winch cover with lower front fascia. Make sure two tabs are inserted into fascia.



2. Install winch cover with two retained fasteners. Torque fasteners to specification.

### TORQUE

Lower Winch Cover Fasteners:  
**88 in-lbs (10 N·m)**



## INSTRUCTION FEEDBACK FORM

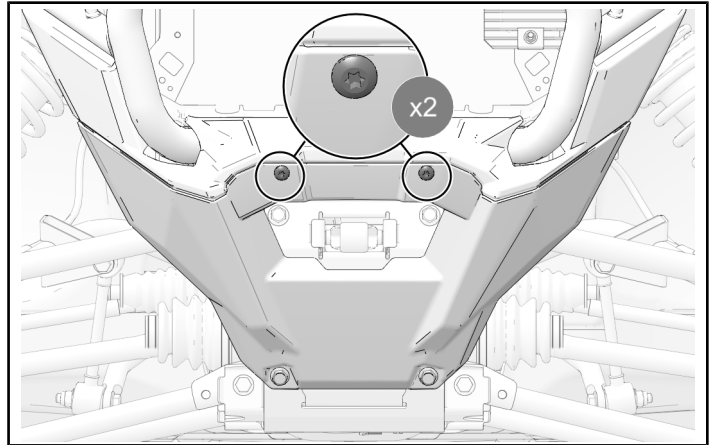
A feedback form has been created for the installer to provide any comments, questions or concerns about the installation instructions. The form is viewable on mobile devices by scanning the QR code or by clicking [HERE](#) if viewing on a PC.



3. Install winch cover with two retained fasteners. Torque fasteners to specification.

### TORQUE

Upper Winch Cover Fasteners:  
**88 in-lbs (10 N·m)**



## GRILLE INSTALLATION

1. Put bottom of grille in first and push top of grille in until two tabs engage upper front fascia.

