

FASCIA LIGHT BAR MOUNT KIT



P/N 2884510

BEFORE YOU BEGIN

Read these instructions and check to be sure all parts and tools are accounted for. Please retain these installation instructions for future reference and parts ordering information.

APPLICATION

Verify accessory fitment at www.polaris.com.

IMPORTANT

This accessory is not compatible with stock bumpers.

REQUIRED SOLD SEPARATELY

NOTICE

XXX = Polaris® color code (For example: 458 = Black)

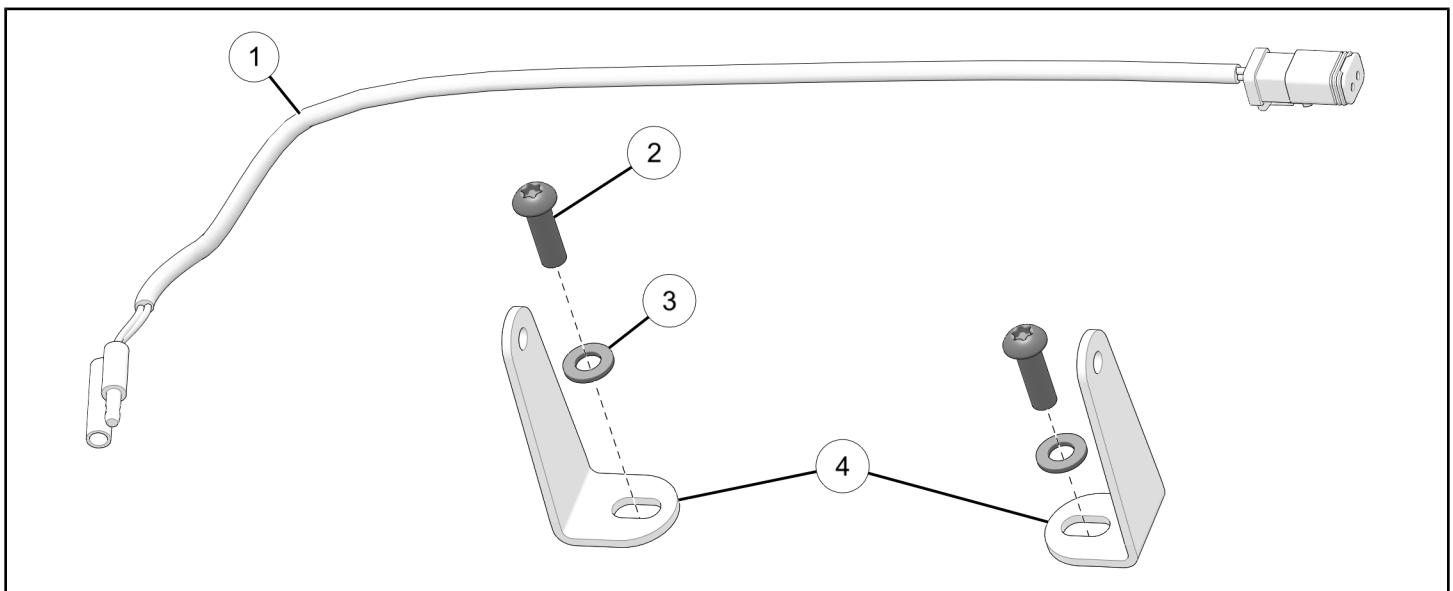
Only parts for installation of the Fascia Light Bar Mount Kit are included. Prior installation of the following additional kits are also required (sold separately):

- *Front Bumper Kit*, P/N 2884513-XXX; 2884515-XXX
- *Light Bar Harness Kit*, P/N 2889291

Only parts for installation of the Fascia Light Bar Mount Kit are included. For complete installation, the following additional kit is required (sold separately):

- *6 in Fascia Light Bar*, P/N 2884649

KIT CONTENTS



REF	QTY	PART DESCRIPTION	P/N AVAILABLE SEPARATELY
1	1	Harness–Light Bar, Fascia	2415735
2	2	Screw–Torx® Button Head, M8 x 1.25 x 25 mm	7519728
3	2	Washer– 8.4 x 16 x 1.6 mm	7556305
4	2	Bracket–Light Bar	5268841
5	3	Cable Tie (not shown)	7080138

TOOLS REQUIRED

- Safety Glasses
- Center Punch
- Drill
- Drill Bit:
 - **5/16 in (8 mm)**
- Pin Punch Set
- Pliers, Push Pin Rivet
- Socket Set, Metric
- Socket Set, Torx® Bit
- Torque Wrench

IMPORTANT

Your Fascia Light Bar Mount Kit is exclusively designed for your vehicle. Please read the installation instructions thoroughly before beginning. Installation is easier if the vehicle is clean and free of debris. For your safety, and to ensure a satisfactory installation, perform all installation steps correctly in the sequence shown.

INSTALLATION INSTRUCTIONS

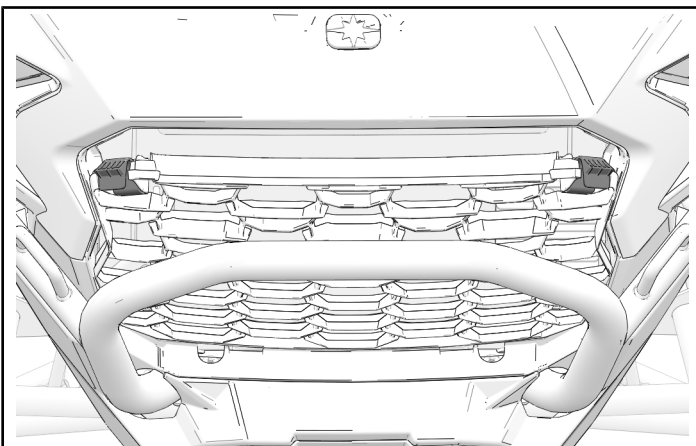
VEHICLE PREPARATION

GENERAL

1. Park vehicle on a flat surface.
2. Shift vehicle into PARK.
3. Turn key to OFF position and remove key.
4. Install *Front Bumper Kit*.
5. Install *Light Bar Harness Kit*.

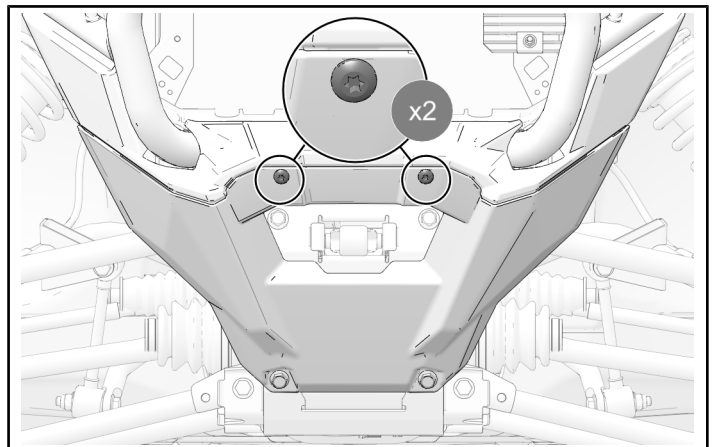
GRILLE REMOVAL

1. Push two tabs down to remove grille.

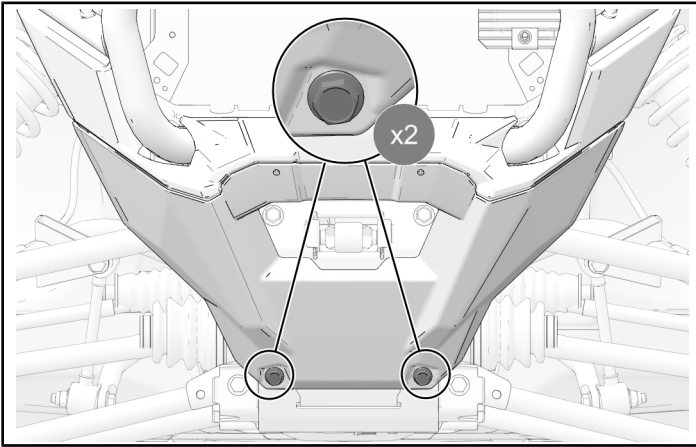


WINCH COVER REMOVAL

1. Remove two upper winch cover fasteners.



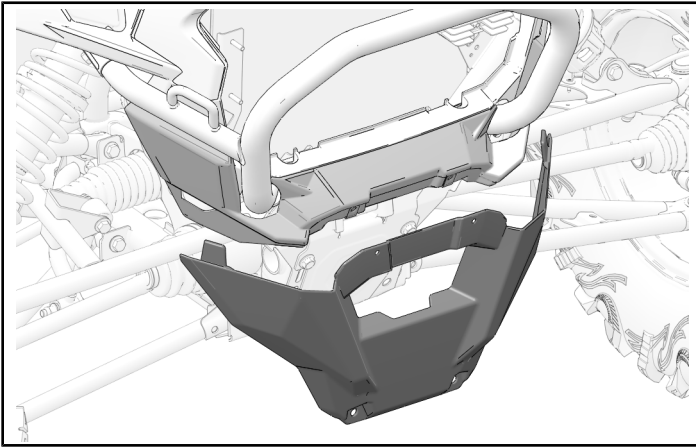
2. Remove two lower winch cover fasteners.



3. Remove winch cover from lower fascia.

TIP

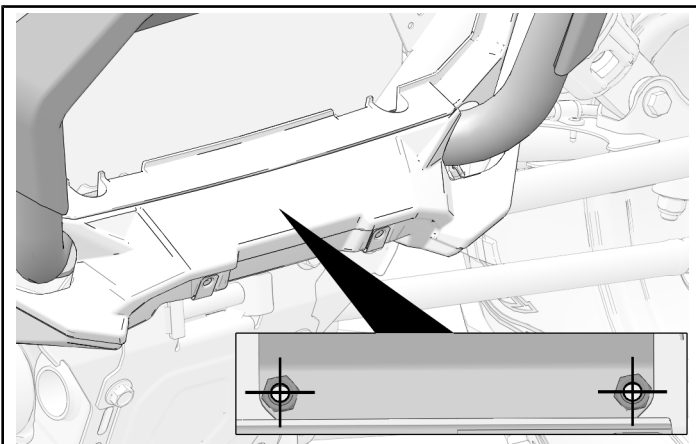
Make sure tabs are disengaged from lower front fascia before pulling winch cover away.



ACCESSORY INSTALLATION

FRONT FASCIA PANEL PREPARATION

1. Reach under lower front fascia panel and mark the panel in the center each nut.

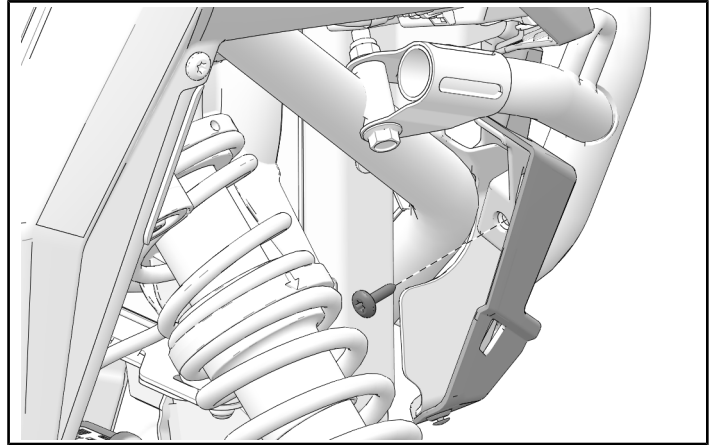


LOWER FRONT FASCIA REMOVAL

1. Remove two lower fascia fasteners.

NOTICE

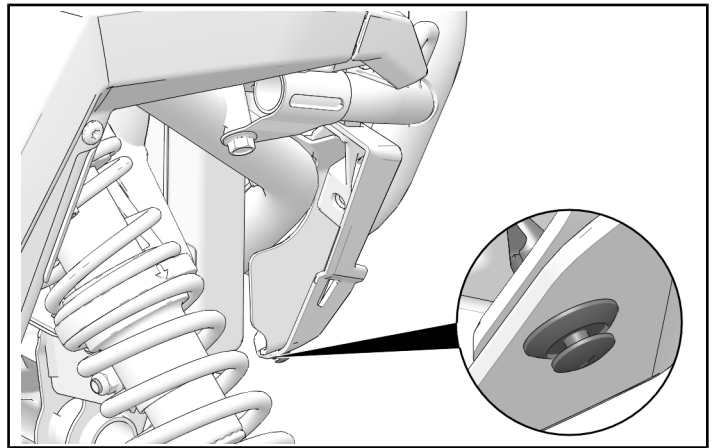
One side shown; other side similar.



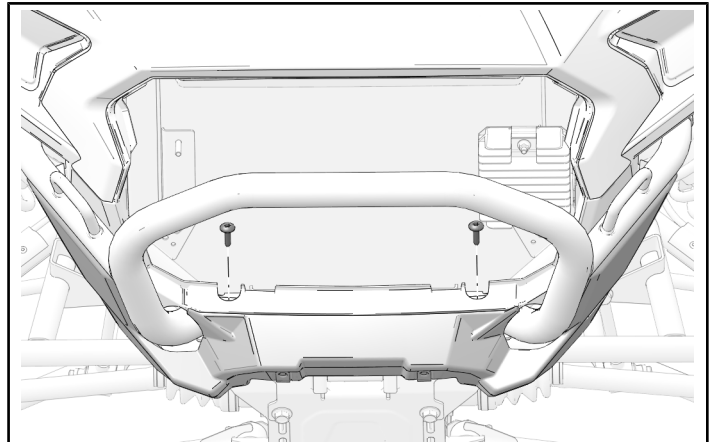
2. Remove one push-pin rivet from each side of front fascia.

NOTICE

One side shown; other side similar.

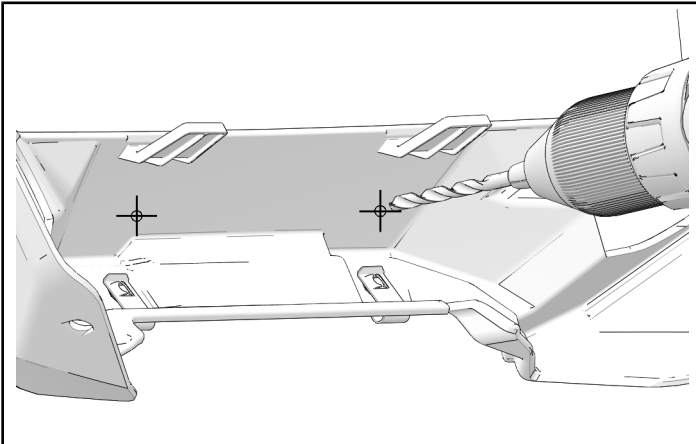


3. Remove two upper fascia fasteners.



FRONT FASCIA PANEL PREPARATION

1. Lay front fascia panel on a clean and soft surface.
2. Drill one **5/16 in (8 mm)** hole where marked.

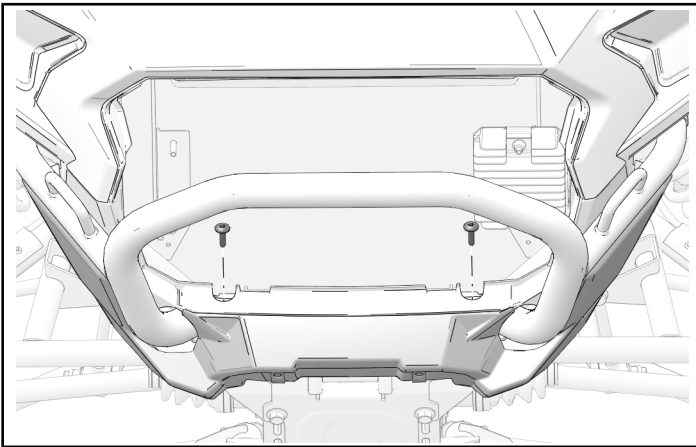


LOWER FRONT FASCIA INSTALLATION

1. Install two upper fascia fasteners. Torque fasteners to specification.

TORQUE

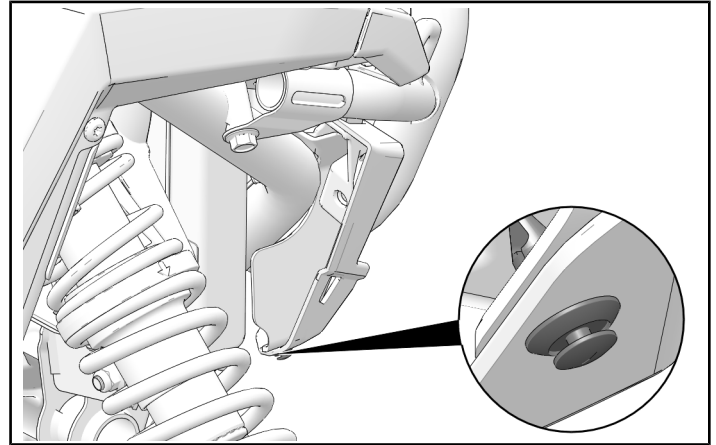
Upper Fascia Fasteners:
88 in-lbs (10 N·m)



2. Install front fascia to radiator shroud with two push-pin rivets.

NOTICE

One side shown; other side similar.



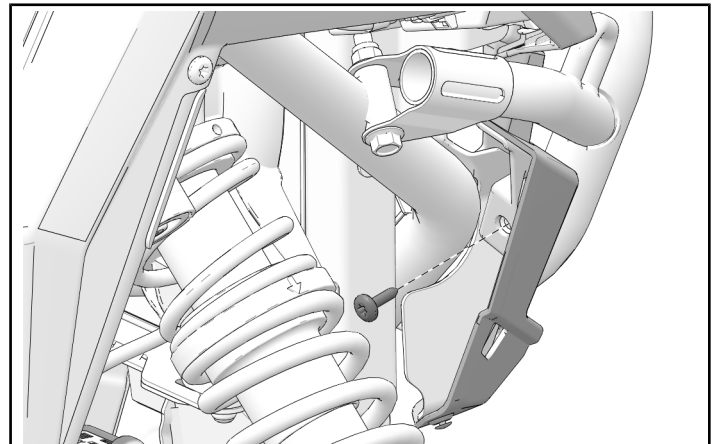
3. Install two upper fascia fasteners. Torque fasteners to specification.

NOTICE

One side shown; other side similar.

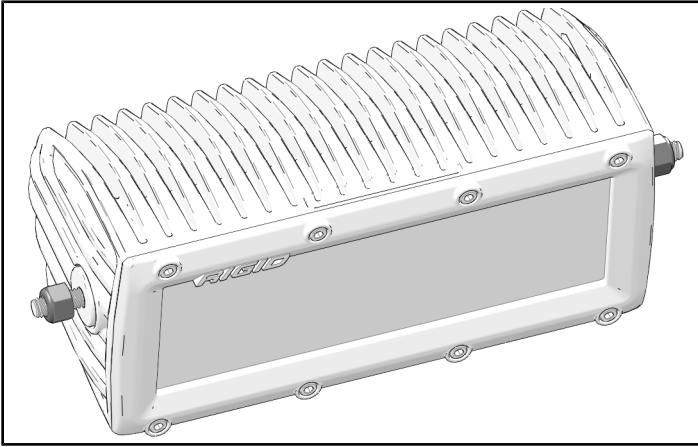
TORQUE

Lower Fascia Fasteners:
88 in-lbs (10 N·m)

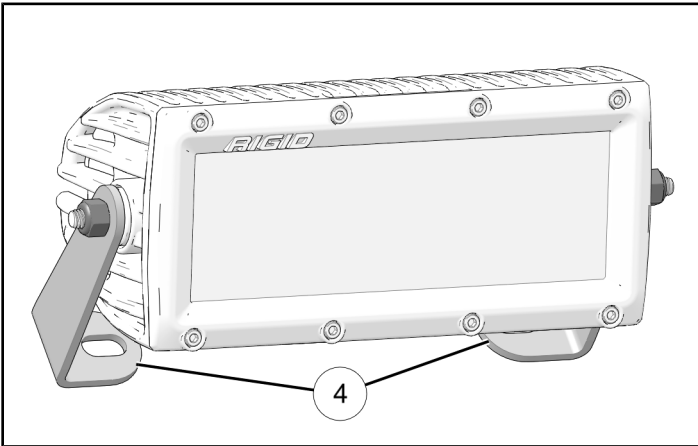


LIGHT BAR AND MOUNT INSTALLATION

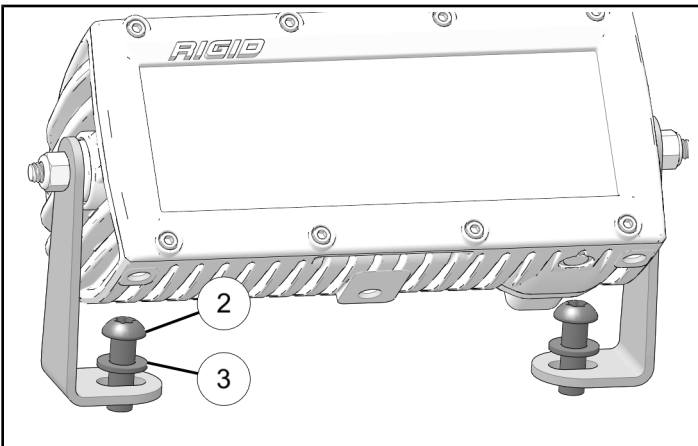
1. Remove and keep two nuts from light bar.



2. Loosely install two brackets ④ with retained light bar nuts.



3. Put two bolts ② through two washers ③ and brackets.



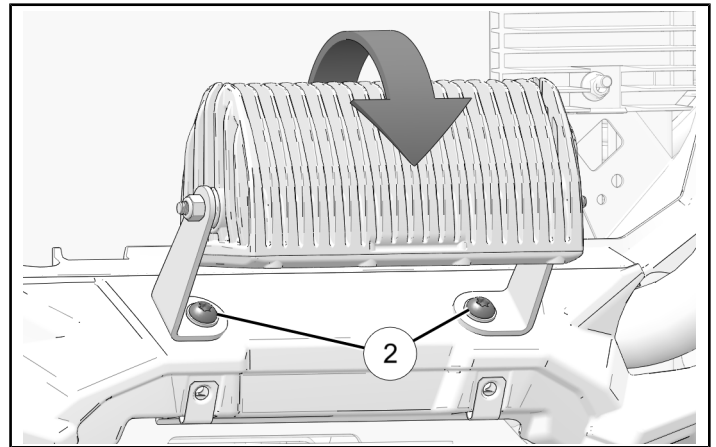
4. Align light bar assembly with drilled holes in front fascia panel and install to accessory bumper weld nuts. Torque two bolts ② to specification.

TIP

Rotate light bar to access bolts.

TORQUE

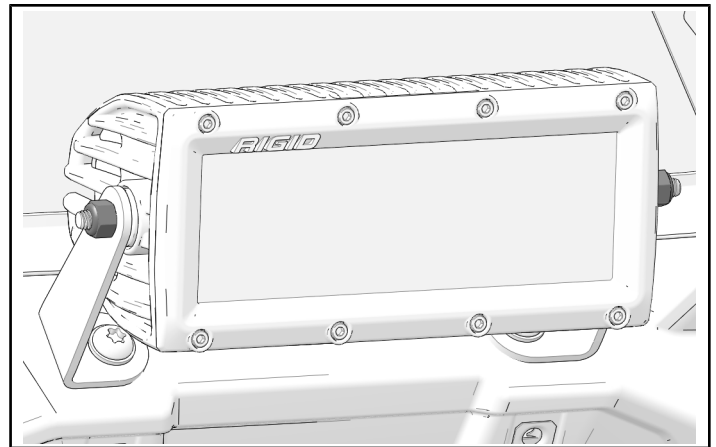
Light Bar Bracket Bolts ②:
88 in-lbs (10 N·m)



5. Torque light bar end nuts to specification.

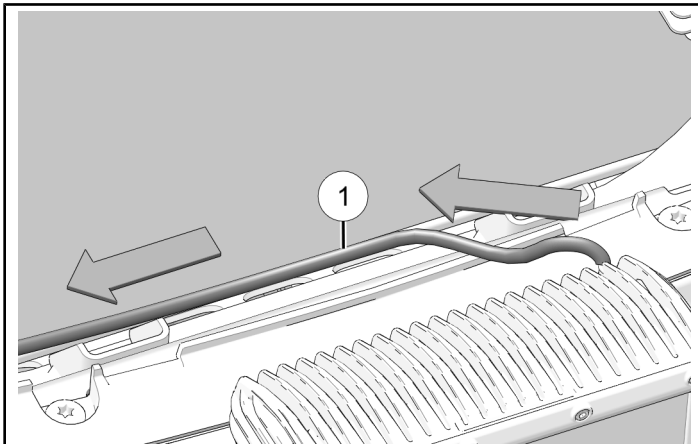
TORQUE

Light Bar End Nuts:
16 ft-lbs (22 N·m)

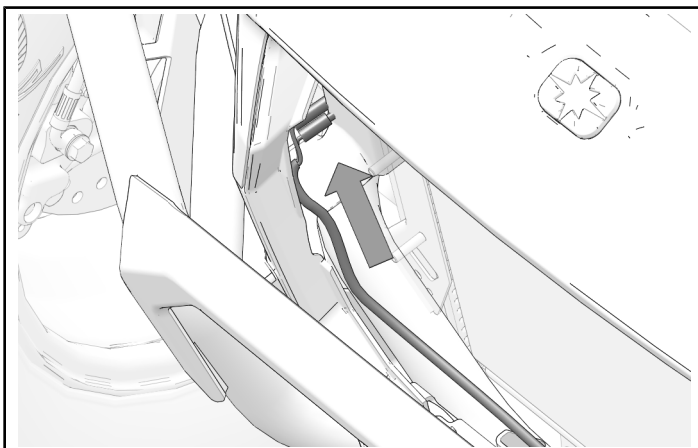


LIGHT BAR HARNESS ROUTING

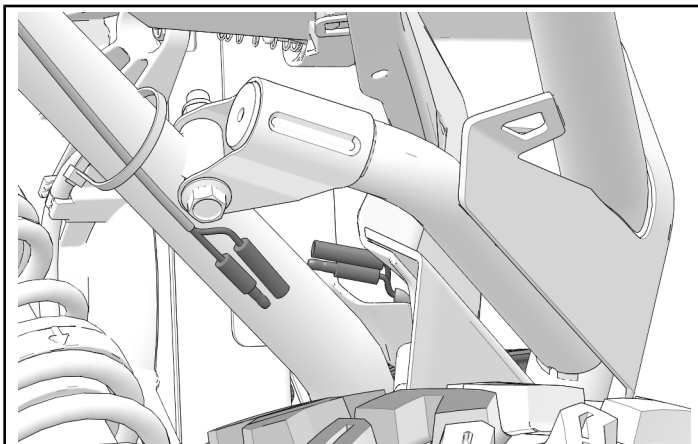
1. Route light bar harness ① in front of radiator towards passenger side of vehicle. Use cable ties ⑤ (not shown) as needed.



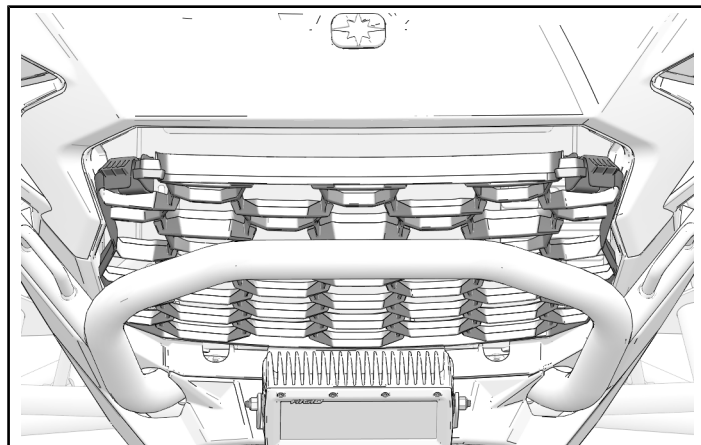
2. Put two bullet connectors through opening in radiator shroud.



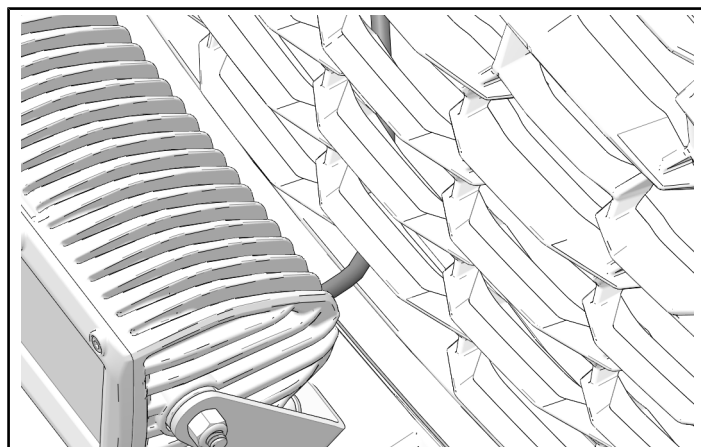
3. Connect two bullet connectors to corresponding connectors of light bar dashboard harness (sold separately). Use a cable tie ⑤ (not shown) to install harness to chassis.



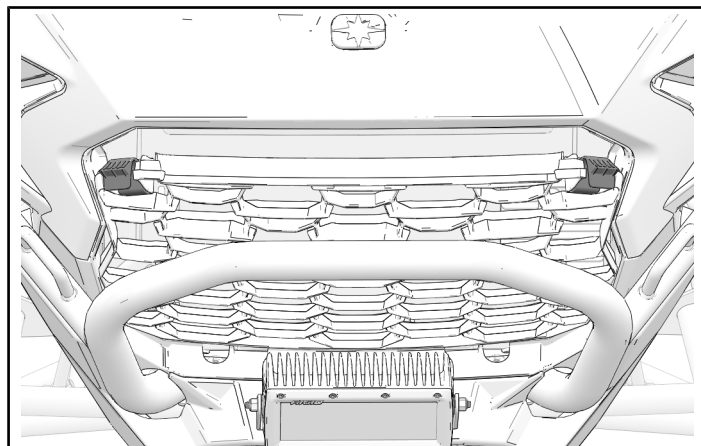
4. Put grille between light bar and vehicle.



5. Put light bar connector through a hole in grille and connect to the back of the light bar.



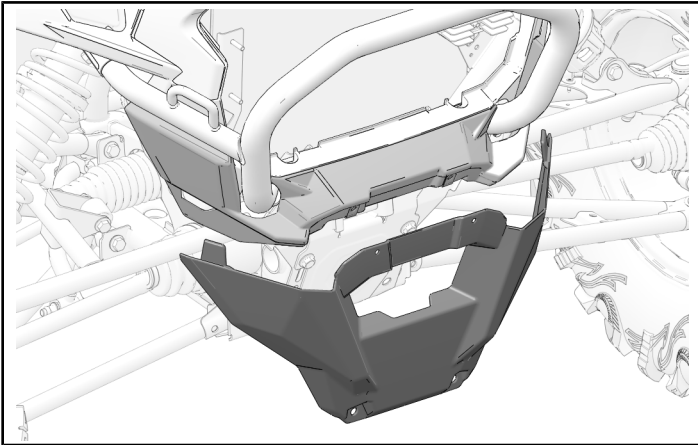
6. Put bottom of grille in first and push top of grille in until two tabs engage with upper front fascia.



VEHICLE REASSEMBLY

WINCH COVER INSTALLATION

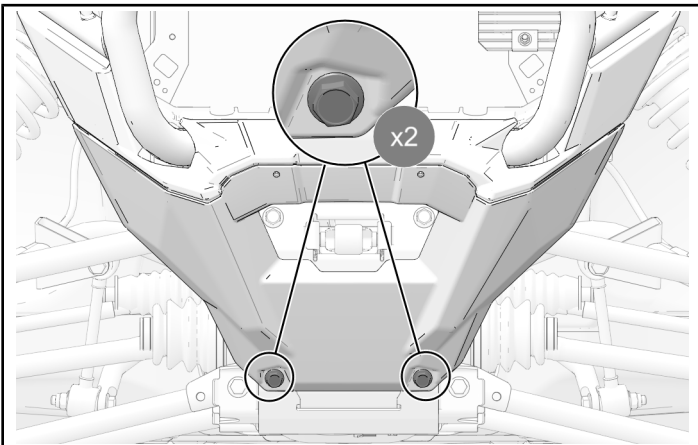
1. Align winch cover with lower front fascia. Make sure two tabs are inserted into fascia.



2. Install winch cover with two retained fasteners. Torque fasteners to specification.

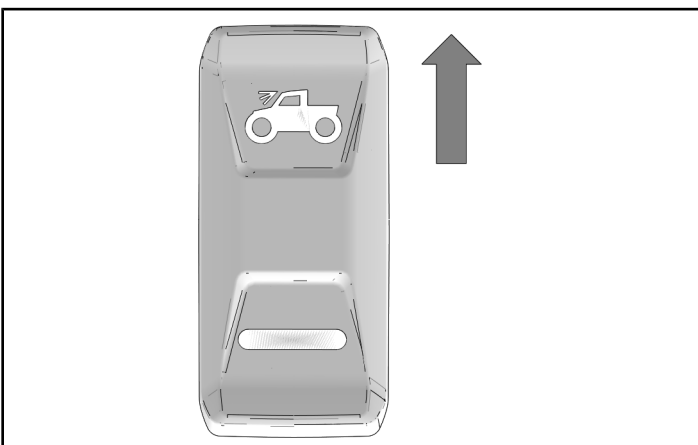
TORQUE

Lower Winch Cover Fasteners:
88 in-lbs (10 N·m)



OPERATION

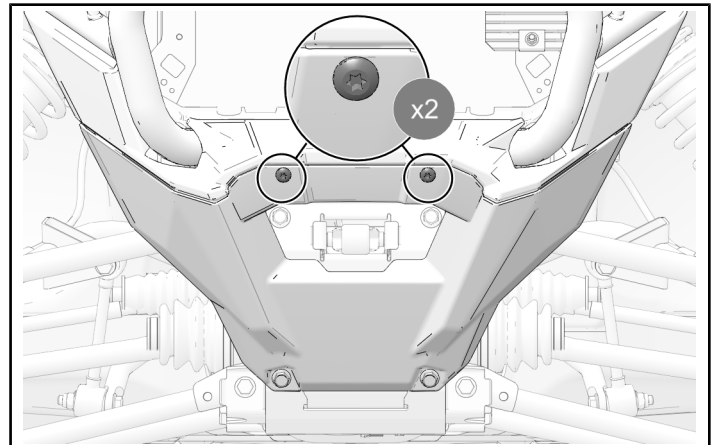
Press top of rocker switch to turn light bar on.



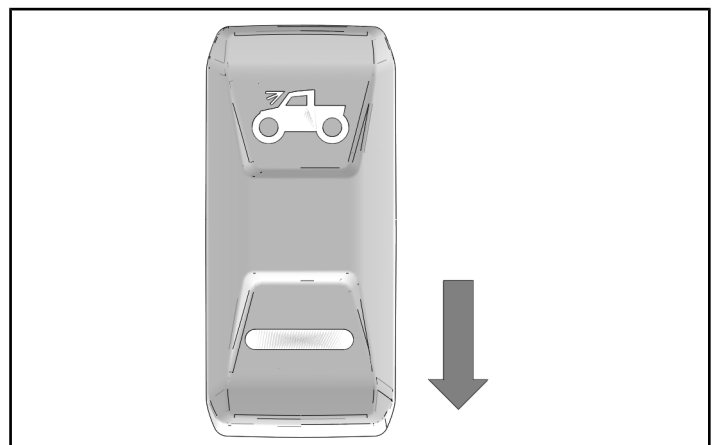
3. Install winch cover with two retained fasteners. Torque fasteners to specification.

TORQUE

Upper Winch Cover Fasteners:
88 in-lbs (10 N·m)



Press bottom of rocker switch to turn light bar off.



INSTRUCTION FEEDBACK FORM

A feedback form has been created for the installer to provide any comments, questions or concerns about the installation instructions. The form is viewable on mobile devices by scanning the QR code or by clicking [HERE](#) if viewing on a PC.

