

ROCK SLIDER KIT



P/N 2884495; 2884496; 2884497; 2889357

BEFORE YOU BEGIN

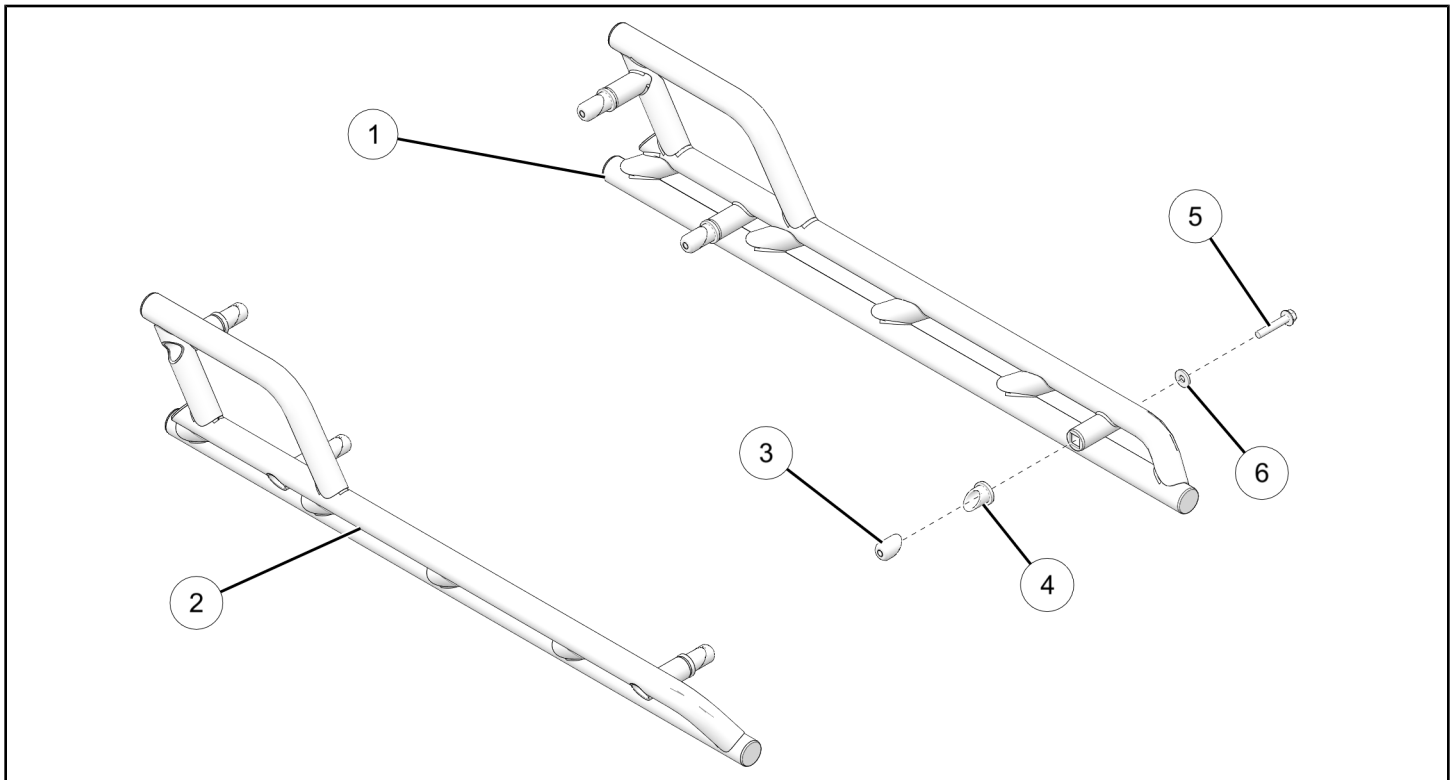
Read these instructions and check to be sure all parts and tools are accounted for. Please retain these installation instructions for future reference and parts ordering information.

APPLICATION

Verify accessory fitment at www.polaris.com.

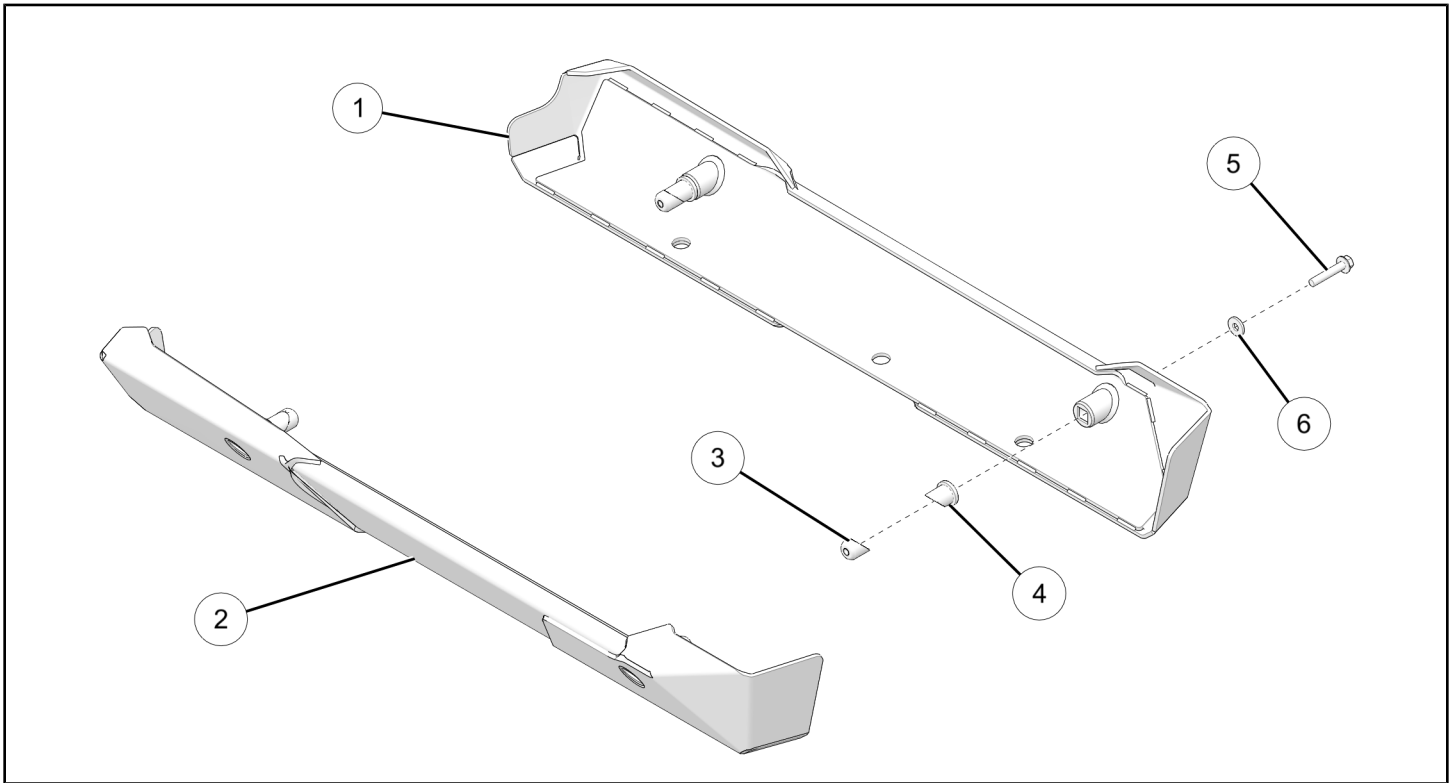
KIT CONTENTS

ROCK SLIDER KIT P/N 2884495



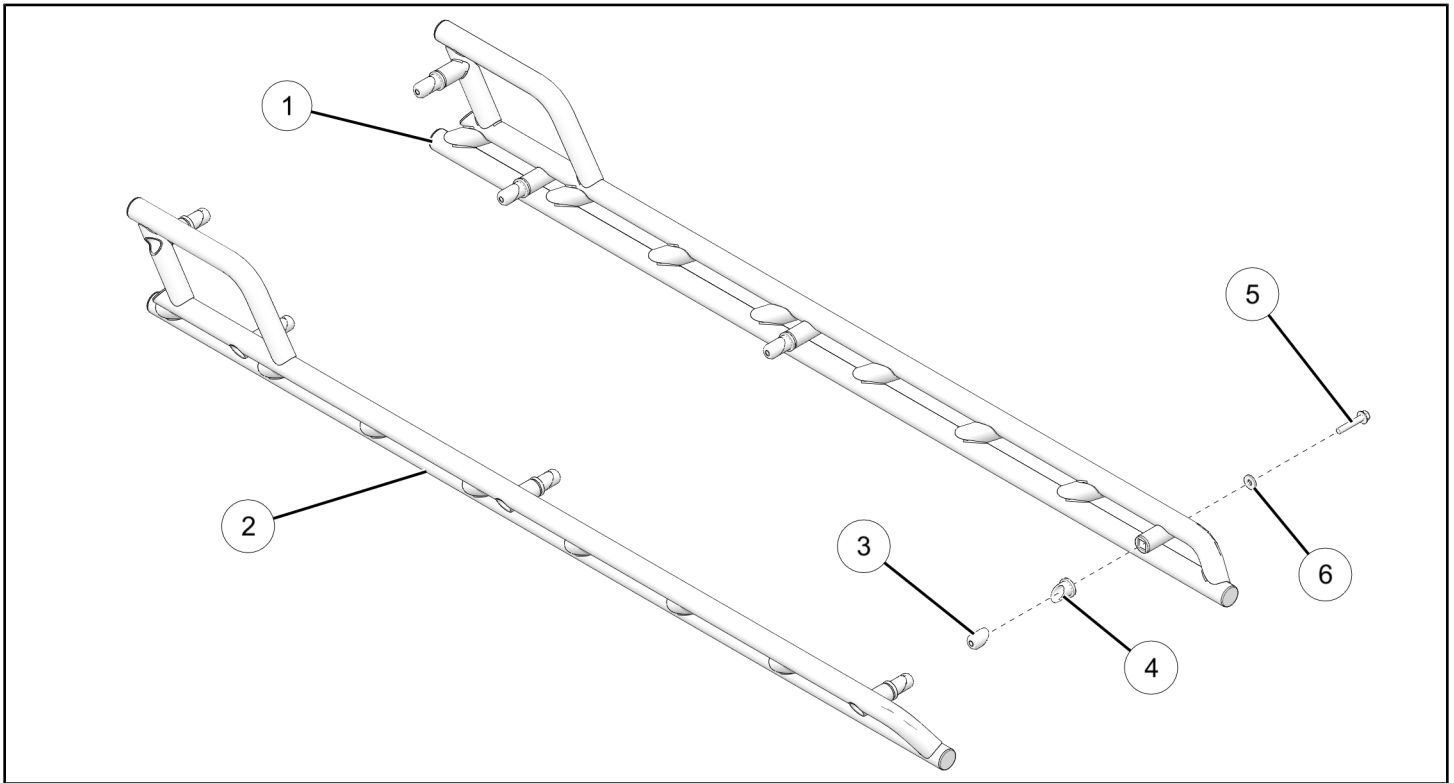
REF	QTY	PART DESCRIPTION	P/N AVAILABLE SEPARATELY	AVAILABLE SERVICE KIT
1	1	Rock Slider, Tube, Left	n/a	n/a
2	1	Rock Slider, Tube, Right	n/a	n/a
3	6	Wedge Lock Anchor, Threaded	n/a	2209124
4	6	Wedge Lock Anchor, Unthreaded	n/a	2209124
5	6	Screw, Hex Flange M10 x 1.5 x 55 mm	7520212	2209124
6	6	Washer	7555966	2209124

ROCK SLIDER KIT P/N 2884496



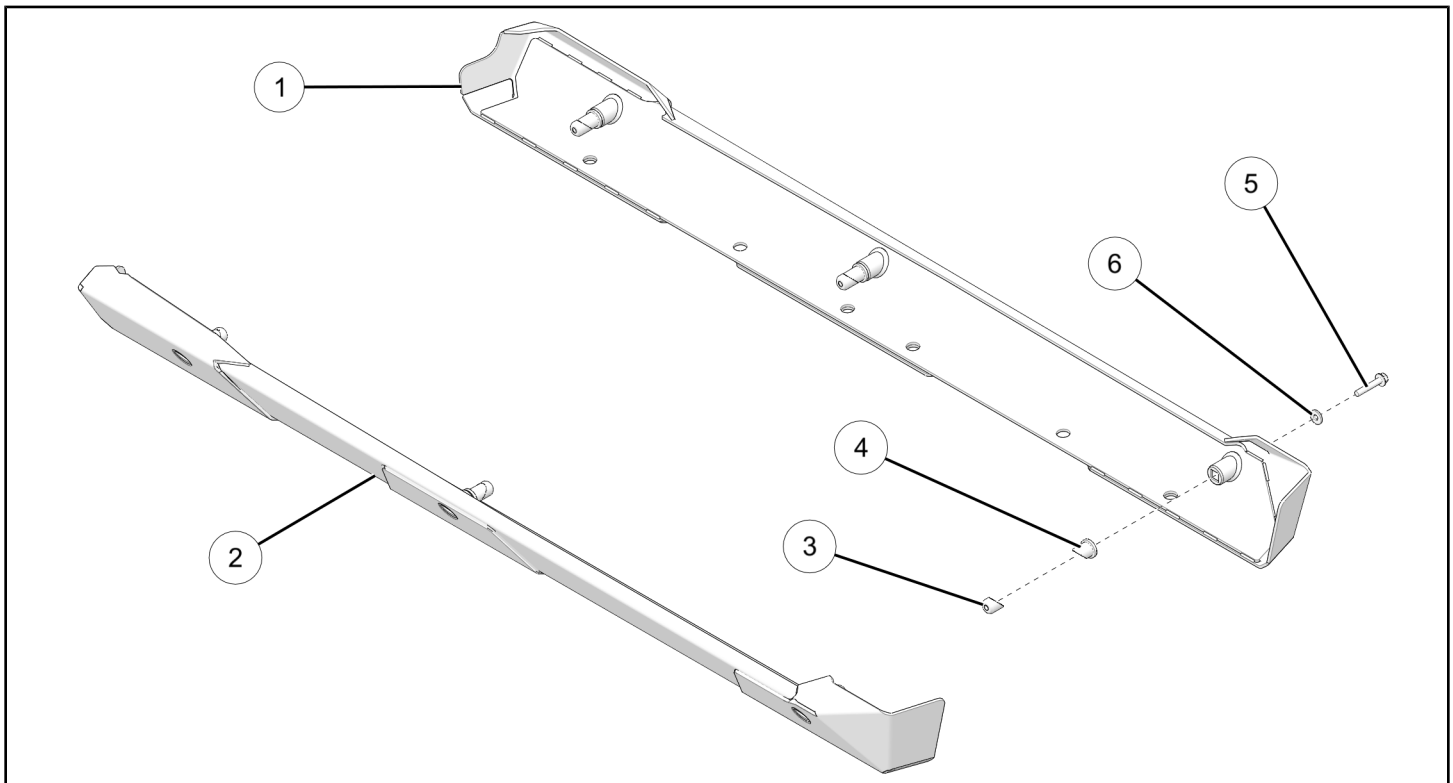
REF	QTY	PART DESCRIPTION	P/N AVAILABLE SEPARATELY	AVAILABLE SERVICE KIT
1	1	Rock Slider, Low Profile, Left	n/a	n/a
2	1	Rock Slider, Low Profile, Right	n/a	n/a
3	4	Wedge Lock Anchor, Threaded	n/a	2209139
4	4	Wedge Lock Anchor, Unthreaded	n/a	2209139
5	4	Screw, Hex Flange M10 x 1.5 x 55 mm	7520212	2209139
6	4	Washer	7555966	2209139

ROCK SLIDER KIT P/N 2884497



REF	QTY	PART DESCRIPTION	P/N AVAILABLE SEPARATELY	AVAILABLE SERVICE KIT
1	1	Rock Slider, Tube, Left	n/a	n/a
2	1	Rock Slider, Tube, Right	n/a	n/a
3	8	Wedge Lock Anchor, Threaded	n/a	2209138
4	8	Wedge Lock Anchor, Unthreaded	n/a	2209138
5	8	Screw, Hex Flange M10 x 1.5 x 55 mm	7520212	2209138
6	8	Washer	7555966	2209138

ROCK SLIDER KIT P/N 2889357



REF	QTY	PART DESCRIPTION	P/N AVAILABLE SEPARATELY	AVAILABLE SERVICE KIT
1	1	Rock Slider, Low Profile, Left	n/a	n/a
2	1	Rock Slider, Low Profile, Right	n/a	n/a
3	6	Wedge Lock Anchor, Threaded	n/a	2209124
4	6	Wedge Lock Anchor, Unthreaded	n/a	2209124
5	6	Screw, Hex Flange M10 x 1.5 x 55 mm	7520212	2209124
6	6	Washer	7555966	2209124

TOOLS REQUIRED

- Safety Glasses
- Deburring Tool
- Drill
- Drill Bit:
 - 3/16 in (5 mm)
- Hole Saw:
 - 1-3/4 in (44 mm)
- Socket Set, Metric
- Torque Wrench
- Utility Knife/Cutting Tool

IMPORTANT

Your Rock Slider Kit is exclusively designed for your vehicle. Please read the installation instructions thoroughly before beginning. Installation is easier if the vehicle is clean and free of debris. For your safety, and to ensure a satisfactory installation, perform all installation steps correctly in the sequence shown.

INSTALLATION INSTRUCTIONS

VEHICLE PREPARATION

GENERAL

1. Park vehicle on a flat surface.
2. Shift vehicle into PARK.
3. Turn key to OFF position and remove key.

ACCESSORY INSTALLATION

ROCKER PANEL PREPARATION

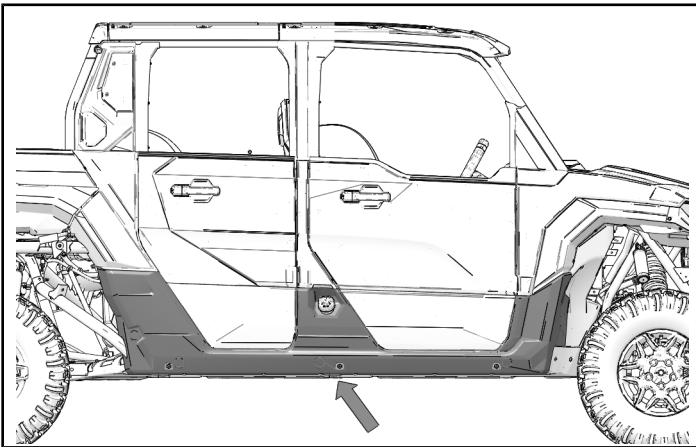
- Location of rocker panel. The rocker panel has score lines marking where holes will be cut.

NOTICE

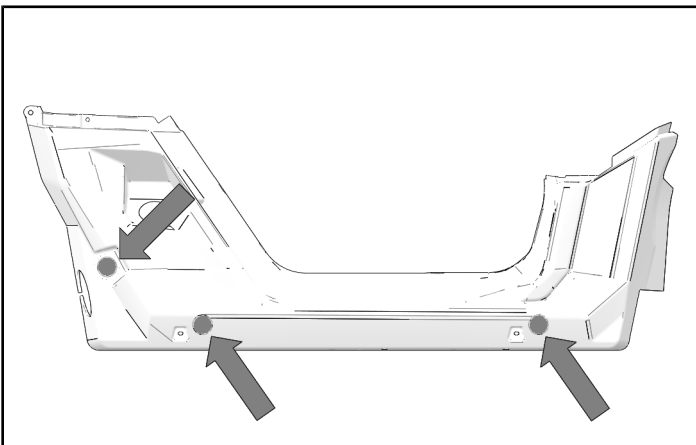
Right side shown, left side similar.

NOTICE

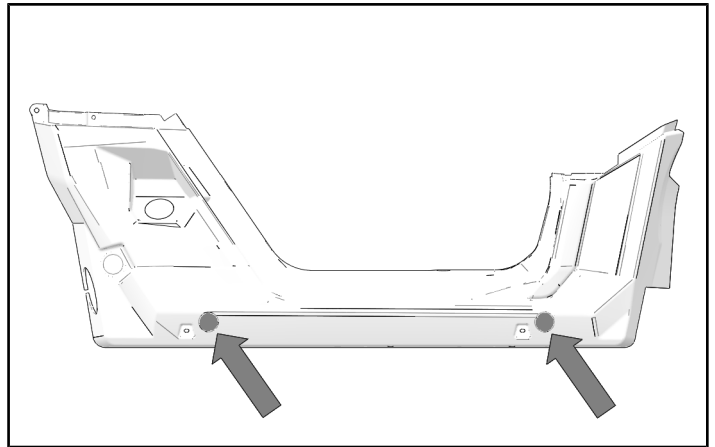
Multi-passenger model shown, 2-passenger model similar.



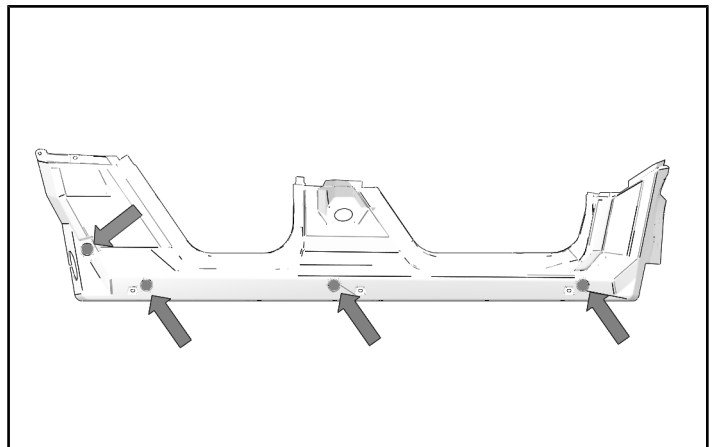
- Hole locations for Rock Slider Kit P/N 2884495



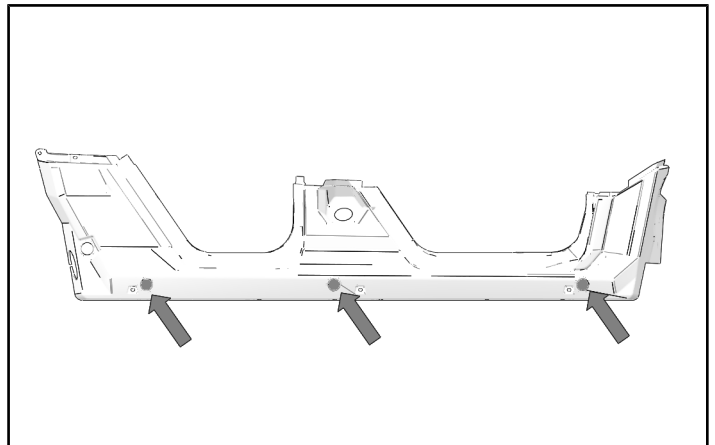
- Hole locations for Rock Slider Kit P/N 2884496



- Hole locations for Rock Slider Kit P/N 2884497



- Hole locations for Rock Slider Kit P/N 2889357



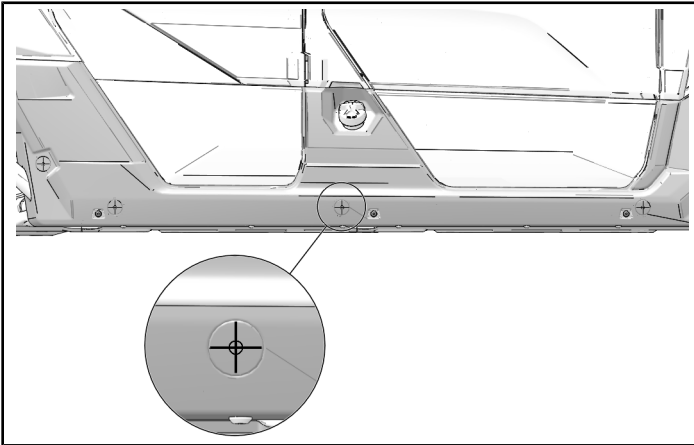
1. Find and mark the centers of the holes that are needed for the kit you are installing.

NOTICE

Right side shown, left side similar.

NOTICE

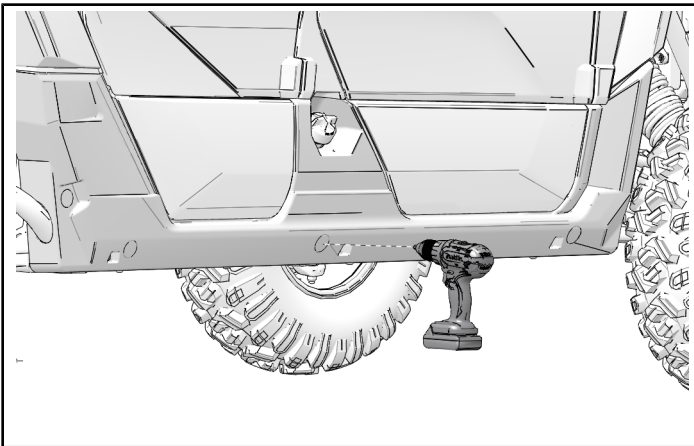
Multi-passenger model shown, 2-passenger model similar.



2. Drill a pilot hole at the center of each hole.

MEASUREMENT

Drill Bit Size: 3/16 in (5 mm)



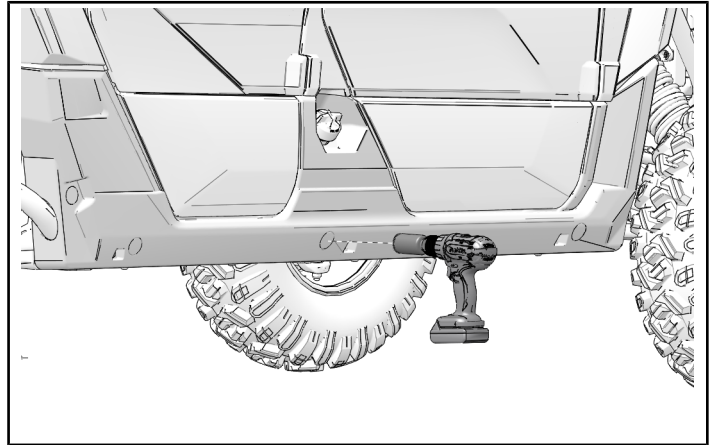
3. Cut each desired hole with hole saw.

NOTICE

Rocker panel is approximately 0.16 in (4 mm) thick. Control depth of cut to avoid nicking or cutting the frame of the vehicle.

MEASUREMENT

Hole Saw Size: 1 3/4 in (44 mm)



4. Use deburr tool to smooth hole edges.

ROCK SLIDER ASSEMBLY

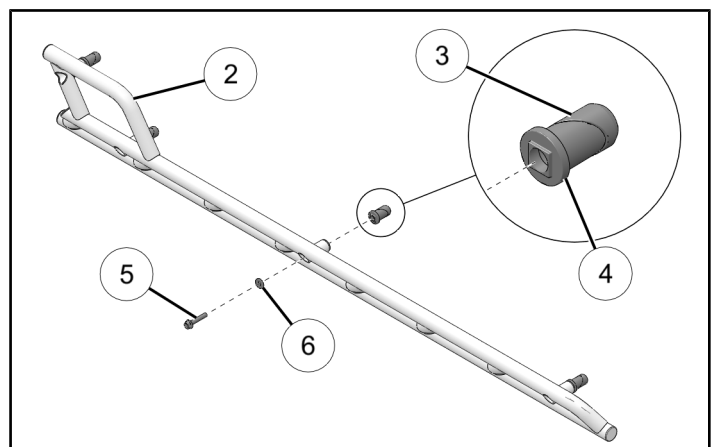
1. Assemble rock slider (2). Assemble washer (6) onto screw (5). Insert screw into mounting pocket on the rock slider.

NOTICE

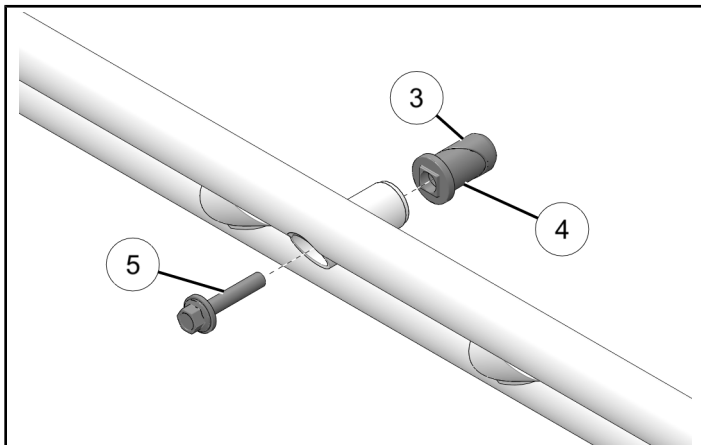
Right side shown, left side similar.

NOTICE

Rock Slider Kit P/N 2884497 shown, others similar.



- Screw ⑤ will pass through unthreaded wedge lock anchor ④ and thread into threaded wedge lock anchor ③. Note orientation of wedge anchor. Anchor will expand in the forward/backward direction when tightened.

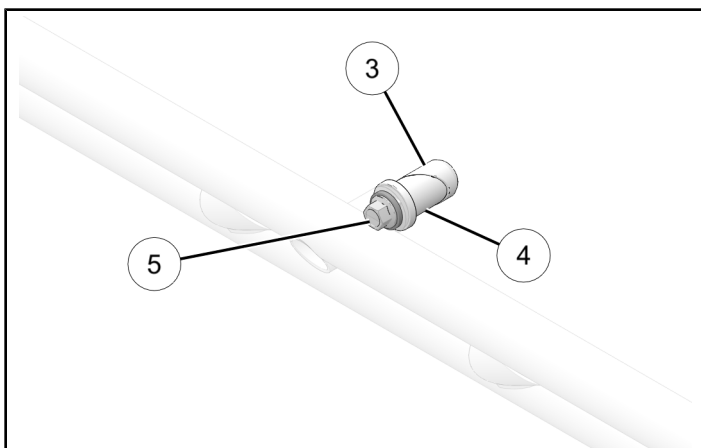


- Tighten screw ⑤ until wedge anchor can barely move in all directions.

DO NOT torque fasteners at this time.

TIP

Unthreaded ④ and threaded ③ wedge lock anchors are shipped glued together. If the glued joint is disassembled, hold the two pieces together by wrapping the joint with a thin layer of tape.



- Repeat for each wedge lock anchor location.

ROCK SLIDER INSTALLATION

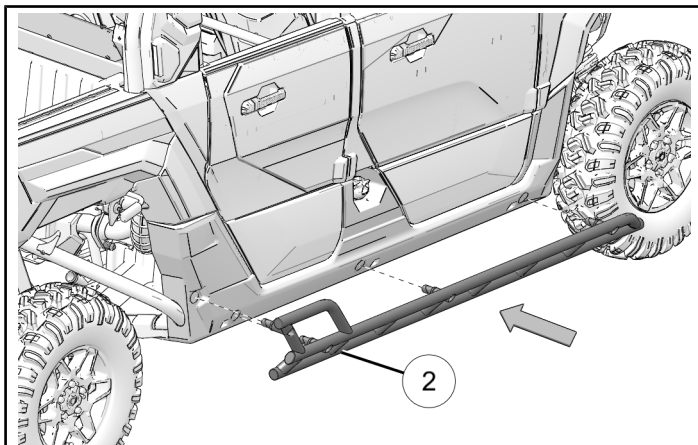
- Insert the assembled rock slider ② into the anchor pockets in the vehicle frame.

NOTICE

Right side shown, left side similar.

NOTICE

Multi-passenger model shown, 2-passenger model similar.



- Tightly hold the rock slider to the frame of the vehicle. Tighten each wedge lock anchor until snug.
- Apply heavy inward pressure while torquing the screws. Torque each wedge lock anchor to specification. This will seat the anchor in the frame.

TORQUE

Wedge Lock Anchor Screw ⑤:
74 ft-lbs (100 N·m)

- Loosen each wedge lock anchor by a maximum of 1 turn. Retighten each anchor to specification.

TORQUE

Wedge Lock Anchor Screw ⑤:
50 ft-lbs (68 N·m)

INSTRUCTION FEEDBACK FORM

A feedback form has been created for the installer to provide any comments, questions or concerns about the installation instructions. The form is viewable on mobile devices by scanning the QR code or by clicking [HERE](#) if viewing on a PC.

