

SIDE MIRROR KIT



P/N 2884491

MISSING OR DAMAGED PARTS

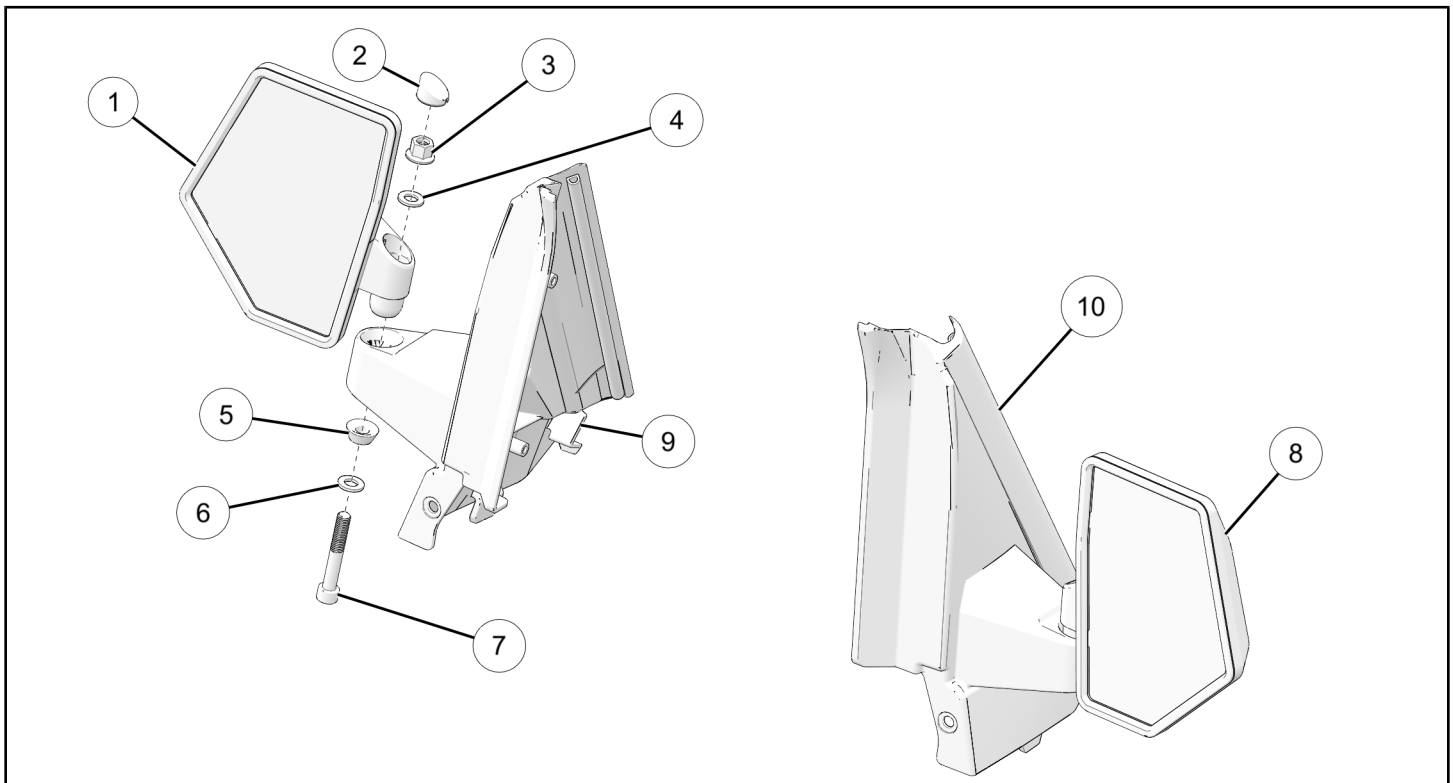
Before beginning assembly, inspect the kit and its component(s) to be sure all parts and tools are accounted for and not damaged. If missing parts or parts are damaged, please contact your Selling Dealer for assistance.

If your accessory was purchased online, please contact POLARIS® customer service at **1-800-POLARIS** (US & Canada only).

APPLICATION

Verify accessory fitment at www.polaris.com.

KIT CONTENTS



REF	QTY	PART DESCRIPTION	P/N AVAILABLE SEPARATELY	AVAILABLE SERVICE KIT
1	1	Side Mirror Assembly – Left	n/a	2211698
2	2	Mirror Bolt Cap	n/a	2211698 2211699
3	2	Flange Locknut	n/a	2211698 2211699
4	2	Washer, Nylon	n/a	2211698 2211699
5	2	Spacer, Cup	n/a	2211698 2211699
6	2	Washer, Flat M10 x 20 mm	n/a	2211698

REF	QTY	PART DESCRIPTION	P/N AVAILABLE SEPARATELY	AVAILABLE SERVICE KIT
				2211699
7	2	Screw, Socket Head, M10 x 60 mm	n/a	2211698 2211699
8	1	Side Mirror Assembly – Right	n/a	2211699
9	1	Mirror Panel – Left	n/a	n/a
10	1	Mirror Panel –Right	n/a	n/a

TOOLS REQUIRED

- Safety Glasses
- Pliers, Push Pin Rivet
- Screwdriver Set, Torx®
- Socket Set, Torx® Bit
- Torque Wrench

IMPORTANT

Your Side Mirror Kit is exclusively designed for your vehicle. Please read the installation instructions thoroughly before beginning. Installation is easier if the vehicle is clean and free of debris. For your safety, and to ensure a satisfactory installation, perform all installation steps correctly in the sequence shown.

INSTALLATION INSTRUCTIONS

VEHICLE PREPARATION

GENERAL

1. Park vehicle on a flat surface.
2. Shift vehicle into PARK.
3. Turn key to OFF position and remove key.

OUTER A-PILLAR TRIM REMOVAL

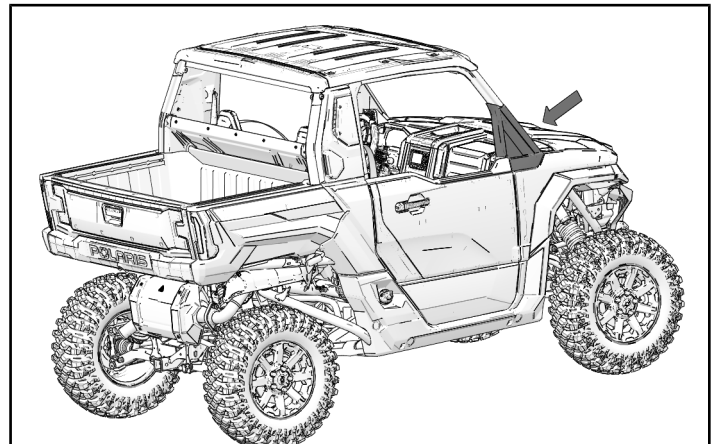
NOTICE

Right side shown; left side similar.

NOTICE

If vehicle is equipped with full or half door, the door must be fully opened to remove or install outer sail panel.

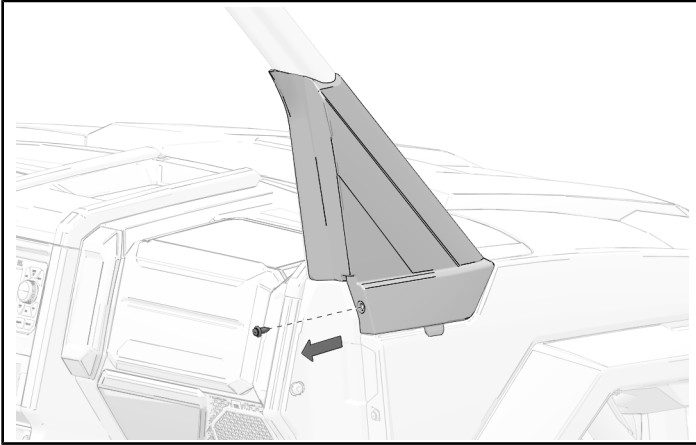
1. Find sail panel on vehicle.



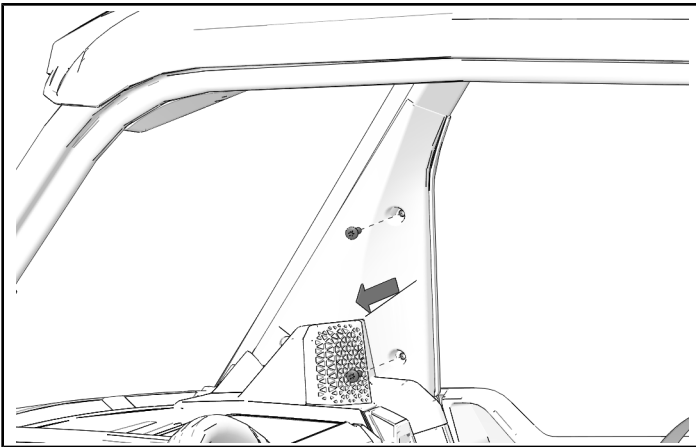
2. Remove and keep push-pin rivet from rear of panel.

NOTICE

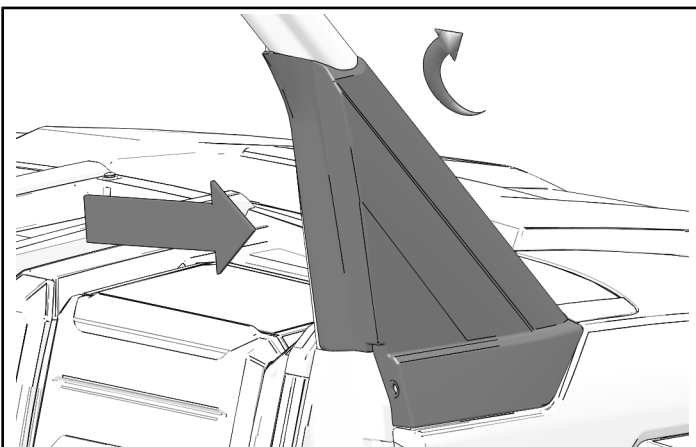
Door hidden for clarity.



3. Remove and keep two screws from inner panel.



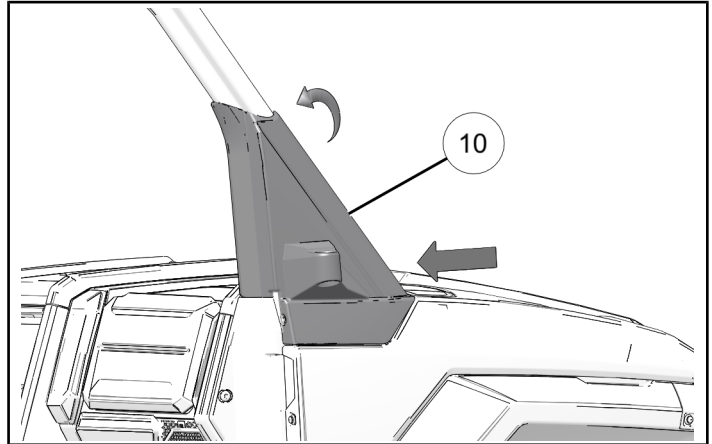
4. Pull panel outward and pull toward front of vehicle to remove panel.



NOTICE

If vehicle is equipped with full or half door, the door must be fully opened to remove or install the outer sail panel.

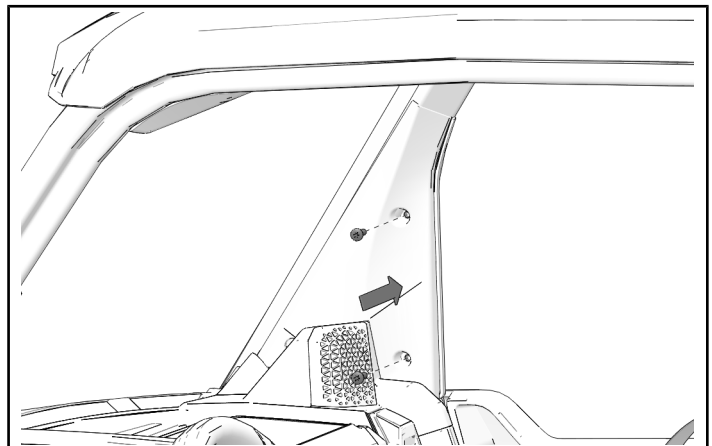
1. Install new panel ⑩. Insert bottom tab and push panel toward the rear of the vehicle and push inward to install.



2. Install two kept screws. Torque screws to specification.

TORQUE

Screws:
42 in-lbs (4.7 N·m)

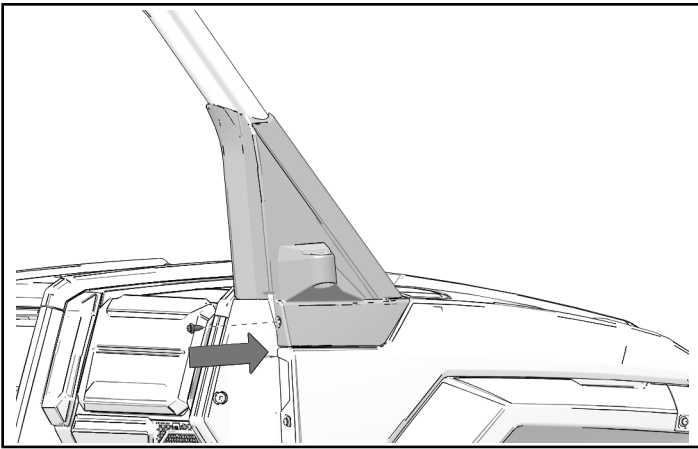


ACCESSORY INSTALLATION

NOTICE

Right side shown; left side similar.

3. Install push-pin rivet.



5. Adjust mirror to desired location. Tightness of the mirror can be adjusted by tightening or loosening screw ⑦ at the bottom of the mirror.

4. Assemble mirror ⑧ to panel. Install nylon washer ④, nut ③, and cap ② into top hole. Install spacer ⑤, washer ⑥, and screw ⑦ into bottom hole. Torque screw to specification.

TORQUE

Screw ⑦:
11 ft-lbs (15 N·m)

