

DOMELIGHT KIT



P/N 2884487; 2885169; 2890032

MISSING OR DAMAGED PARTS

Before beginning assembly, inspect the kit and its component(s) to be sure all parts and tools are accounted for and not damaged. If missing parts or parts are damaged, please contact your Selling Dealer for assistance.

If your accessory was purchased online, please contact POLARIS® customer service at **1-800-POLARIS** (US & Canada only).

APPLICATION

Verify accessory fitment at www.polaris.com.

IMPORTANT

Some models will come equipped from the factory with front dome light. If *Dome Light Kit*, P/N 2885169, is being installed, the kit will replace existing front dome light and harness. If installing *Dome Light Kit*, P/N 2885169, remove existing front dome light and harness and discard.

REQUIRED SOLD SEPARATELY

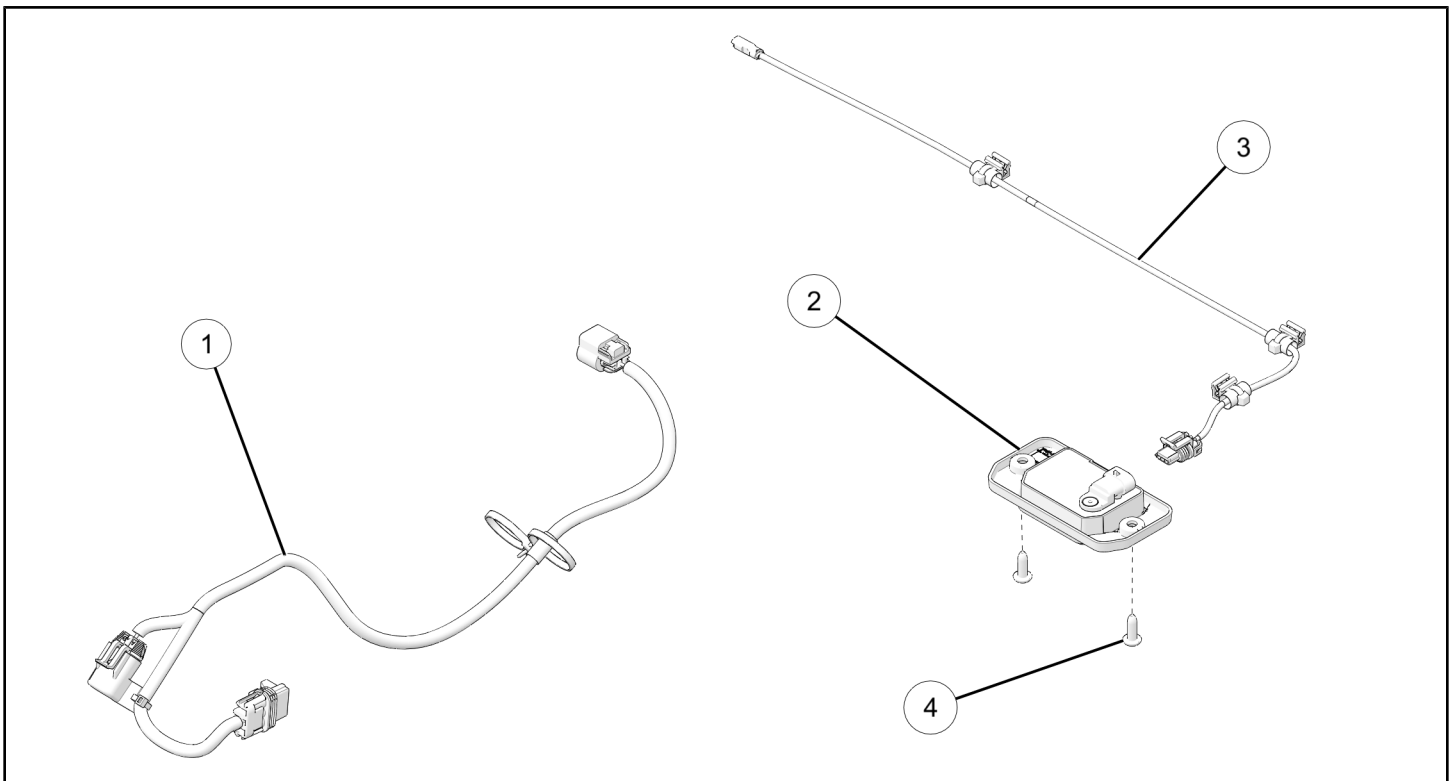
Only parts for installation of the Dome Light Kit are included. Prior installation of the following additional kits are also required (sold separately):

- *ROPS Harness Kit*, P/N 2885170

Installation of *Dome Light Kit*, P/N 2890032 requires *Dome Light Kit*, P/N 2885169

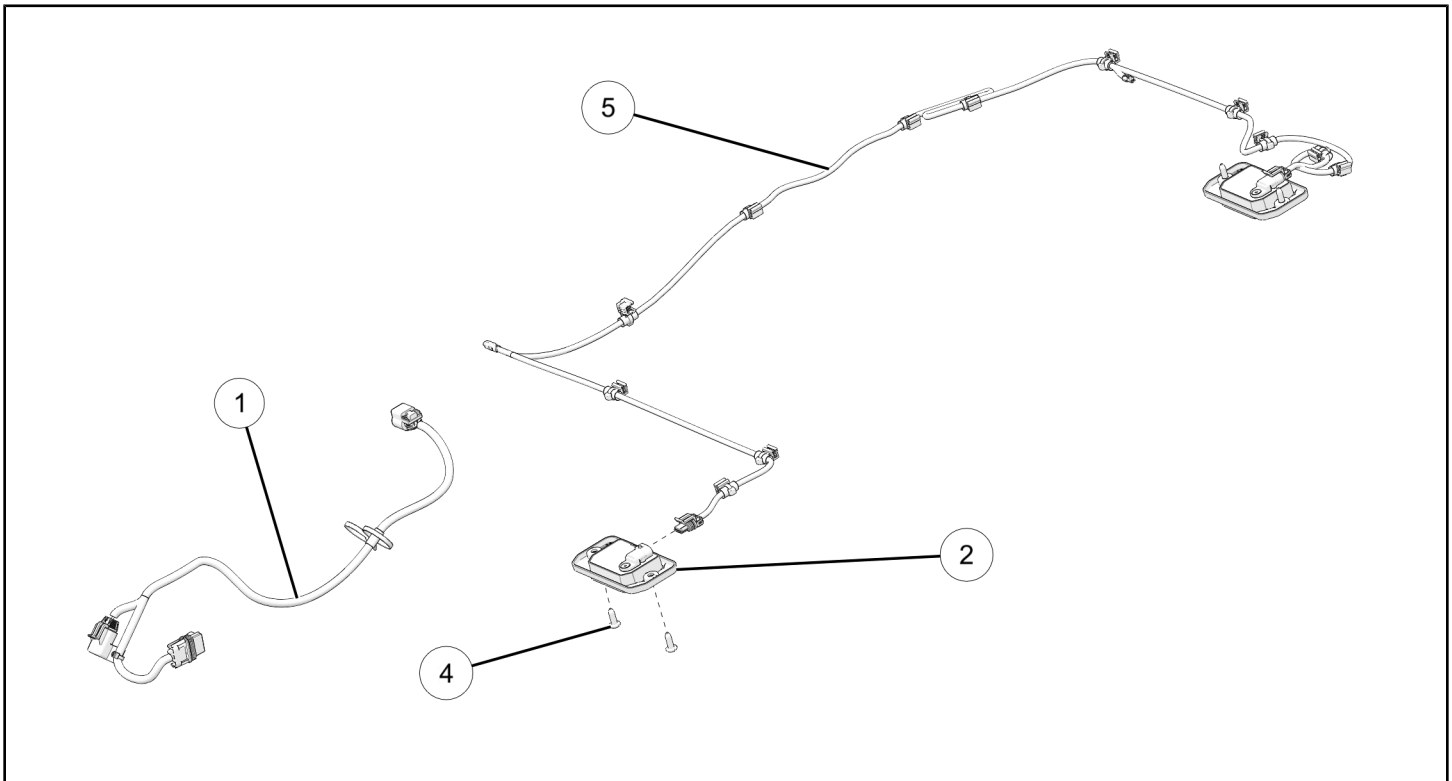
KIT CONTENTS

DOMELIGHT KIT P/N 2884487 (FRONT DOME LIGHT ONLY)



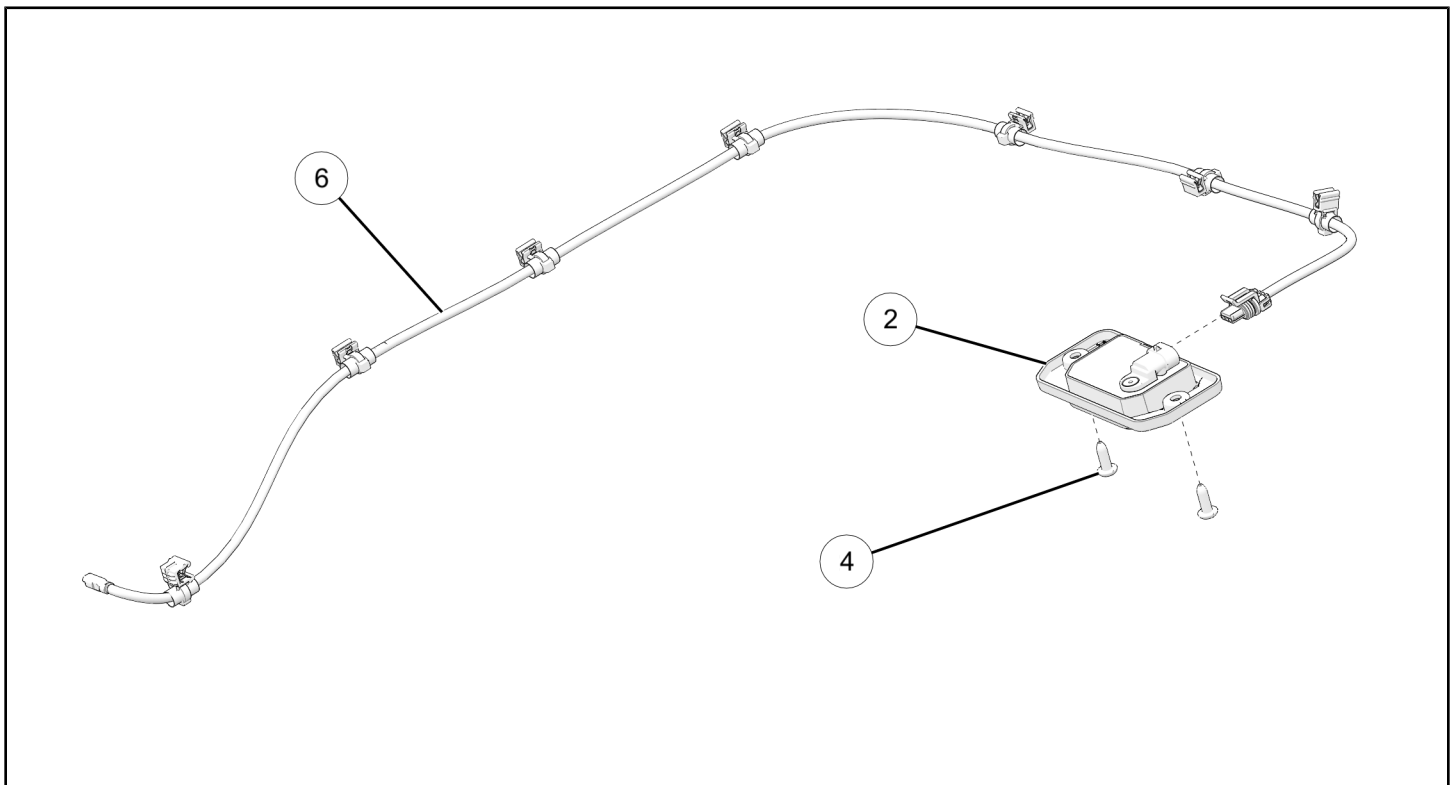
REF	QTY	PART DESCRIPTION	P/N AVAILABLE SEPARATELY
1	1	Dome Light Control Harness	2415539
2	1	Dome Light Assembly	2416097
3	1	Dome Light Harness, 2 Passenger	2416898
4	2	Screw, Torx® Truss Head #14 x 3/4 in	7519045

DOMELIGHT KIT P/N 2885169 (MULTI-PASSENGER XP MODELS AND ALL ADV MODELS)



REF	QTY	PART DESCRIPTION	P/N AVAILABLE SEPARATELY
1	1	Dome Light Control Harness	2415539
2	2	Dome Light Assembly	2416097
4	4	Screw, Torx® Truss Head #14 x 3/4 in	7519045
5	1	Dome Light Harness, Multi-Passenger	2417260

DOME LIGHT KIT P/N 2890032 (MULTI-PASSENGER ADV MODELS)(CARGO LIGHT)



REF	QTY	PART DESCRIPTION	P/N AVAILABLE SEPARATELY
2	1	Dome Light Assembly	2416097
4	2	Screw, Torx® Truss Head #14 x 3/4 in	7519045
6	1	Dome Light Harness, ADV	n/a

HARNESS DETAIL

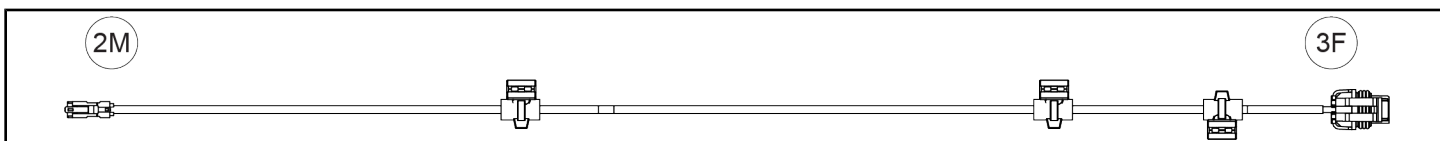
DOME LIGHT CONTROL HARNESS ①



REF	PART DESCRIPTION	CONNECTS TO
2F	ROPS Harness Connector	ROPS Harness
2F	Fuseholder Connector	Fuseholder
3F	Pulse® Bar Connector	Pulse® Bar

Example: 16F = 16 pin, Female / 16M = 16 pin, Male (Male terminal fits inside female terminal)

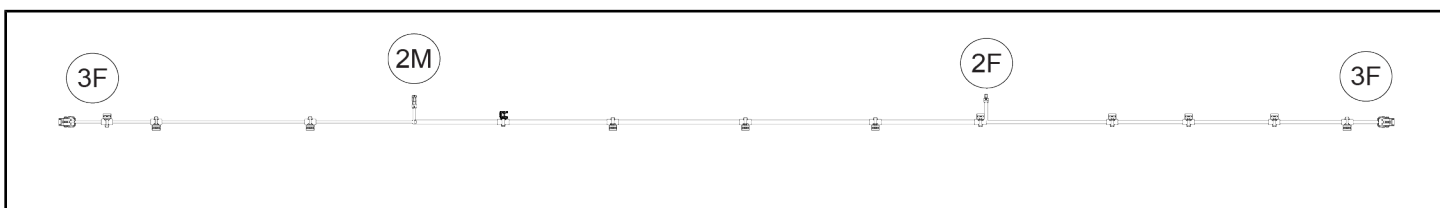
DOMELIGHT HARNESS, 2 PASSENGER ③



REF	PART DESCRIPTION	CONNECTS TO
2M	ROPS Harness Connector	ROPS Harness
3F	Dome Light Connector	Dome Light

Example: 16F = 16 pin, Female / 16M = 16 pin, Male (Male terminal fits inside female terminal)

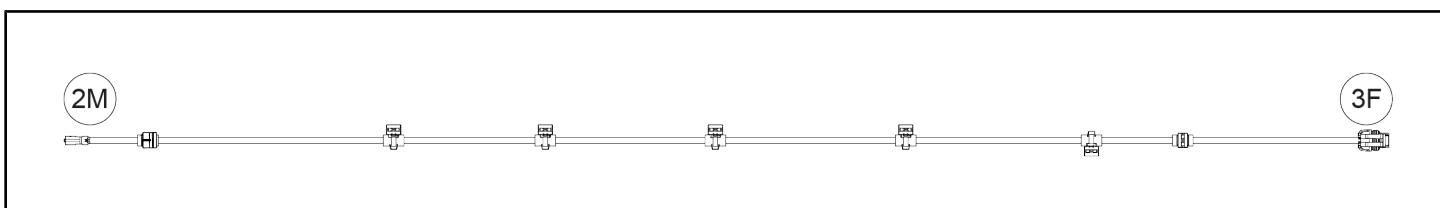
DOMELIGHT HARNESS, MULTI-PASSENGER ⑤



REF	PART DESCRIPTION	CONNECTS TO
2F	ADV Dome Light Harness Connector	ADV Dome Light Harness
2M	ROPS Harness Connector	ROPS Harness
3F	Dome Light Connector	Dome Light, Front
3F	Dome Light Connector	Dome Light, Rear

Example: 16F = 16 pin, Female / 16M = 16 pin, Male (Male terminal fits inside female terminal)

DOMELIGHT HARNESS, ADV ⑥



REF	PART DESCRIPTION	CONNECTS TO
2M	Multi-Passenger Dome Light Harness Connector	Multi-Passenger Dome Light Harness
3F	Dome Light Connector	Dome Light, Cargo Area

Example: 16F = 16 pin, Female / 16M = 16 pin, Male (Male terminal fits inside female terminal)

TOOLS REQUIRED

- Safety Glasses
- Screwdriver Set, Torx®
- Socket Set, Torx® Bit
- Utility Knife/Cutting Tool

IMPORTANT

Your Dome Light Kit is exclusively designed for your vehicle. Please read the installation instructions thoroughly before beginning. Installation is easier if the vehicle is clean and free of debris. For your safety, and to ensure a satisfactory installation, perform all installation steps correctly in the sequence shown.

INSTALLATION INSTRUCTIONS

VEHICLE PREPARATION

GENERAL

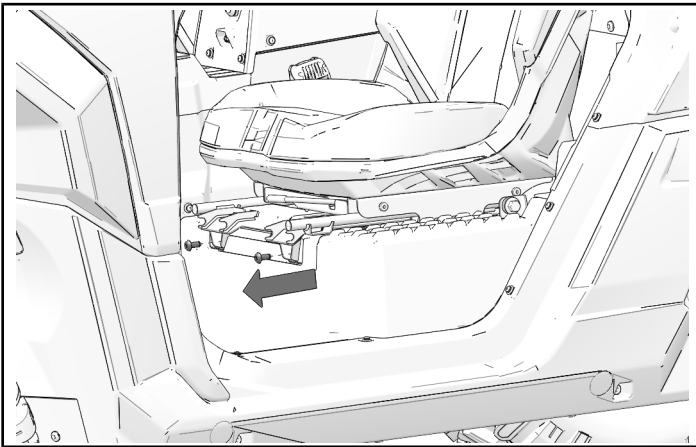
1. Park vehicle on a flat surface.
2. Shift vehicle into PARK.
3. Turn key to OFF position and remove key.

BATTERY DISCONNECTION

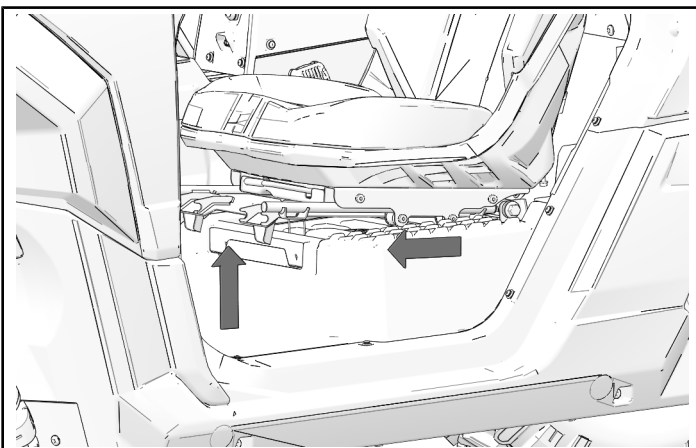
NOTICE

Doors hidden for clarity.

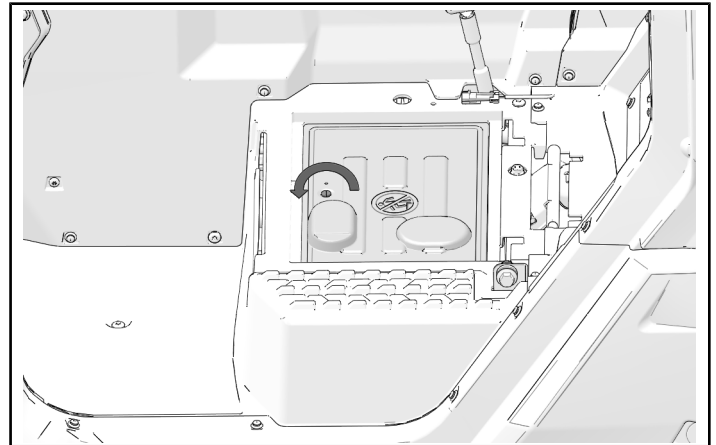
1. Remove and keep two screws from front of driver seat base.



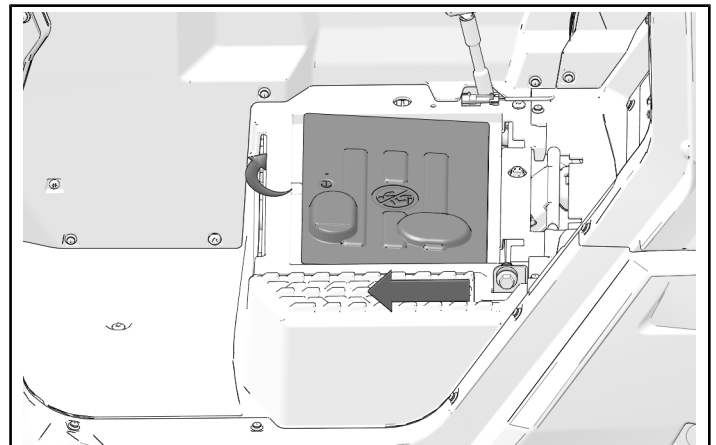
2. Lift front of seat and pull forward to remove seat.



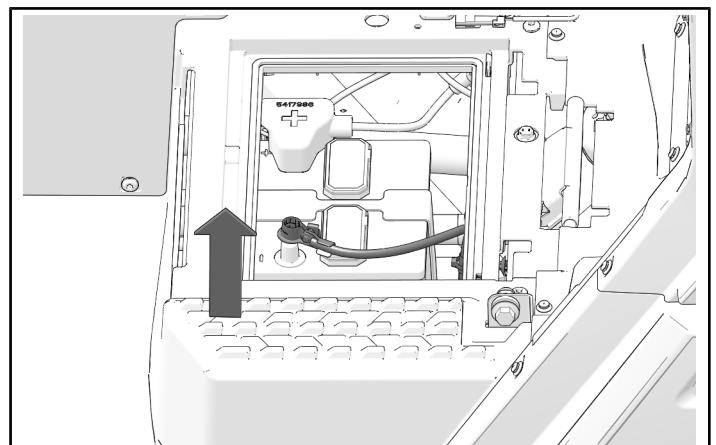
3. Turn screw to open cover.



4. Lift cover and slide forward to remove.

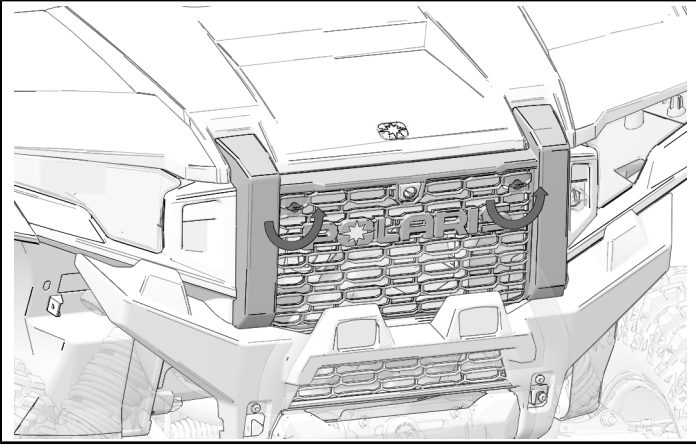


5. Disconnect negative (-) cable from battery.

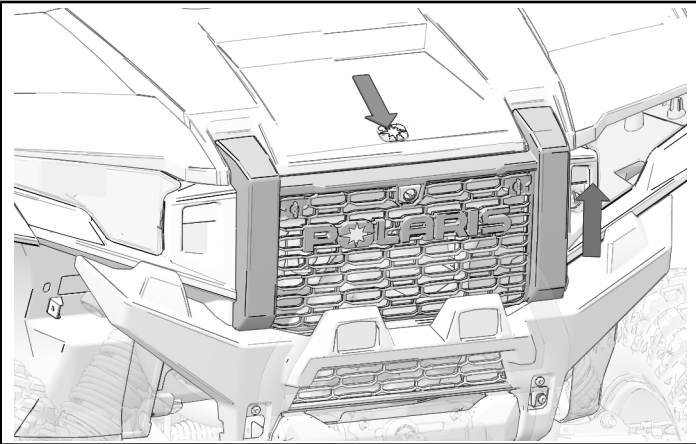


HOOD AND GRILL REMOVAL

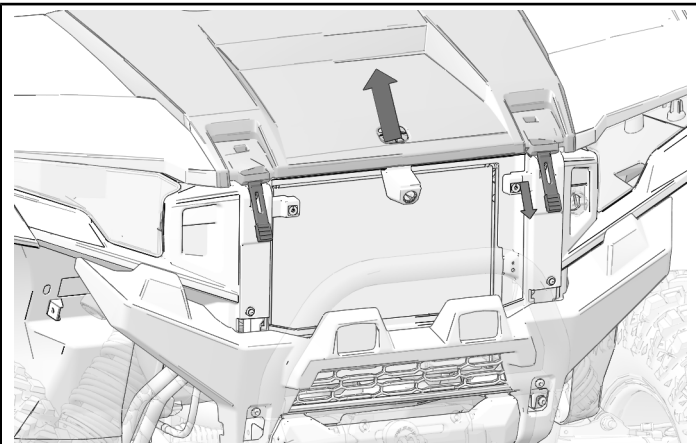
1. Turn each stud one-quarter turn to release grill.



2. Pull top of grill forward and then lift up to remove grill.



3. Pull rubber straps off hooks to release hood. Lift hood to remove.



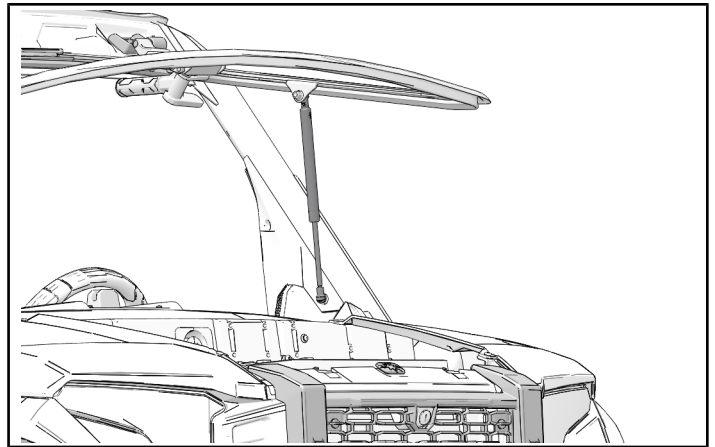
CENTER DASH PANEL REMOVAL

VEHICLES WITH TIP-OUT WINDSHIELD

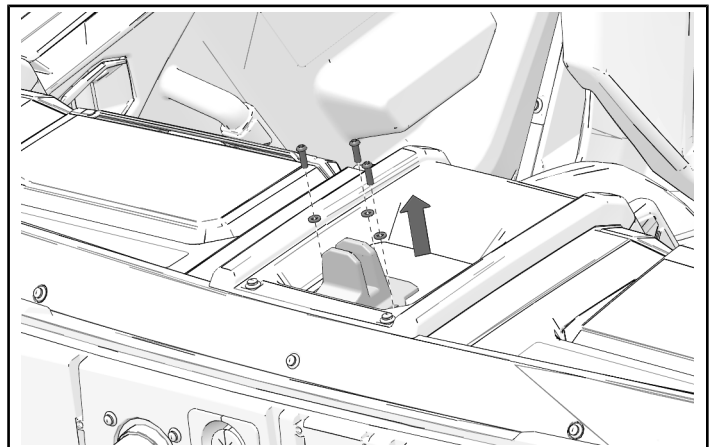
NOTICE

For vehicles without tip-out windshield, proceed to Panel Removal.

1. Open tip-out windshield.

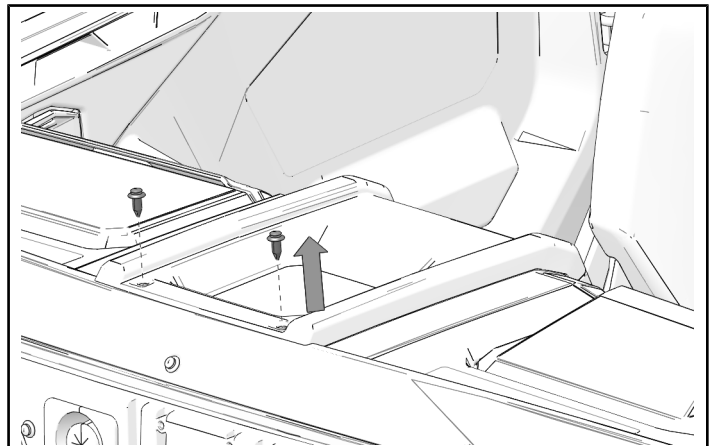


2. Remove and keep three screws and washers. Remove and keep windshield base.

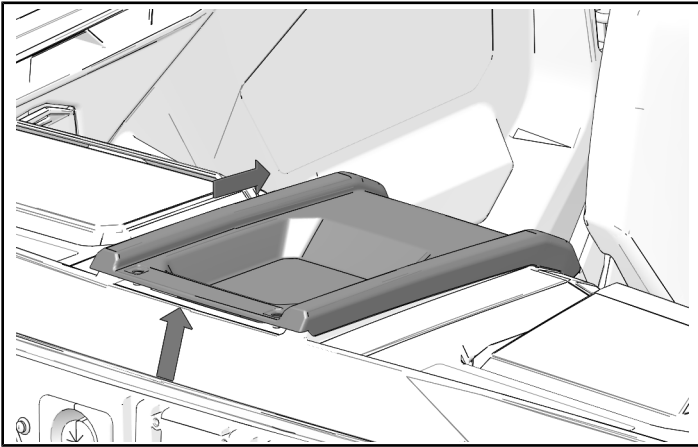


PANEL REMOVAL

1. Remove and keep two push-pin rivets from center dash panel.



2. Remove and keep panel by lifting front edge and moving backward.



HEAD UNIT REMOVAL

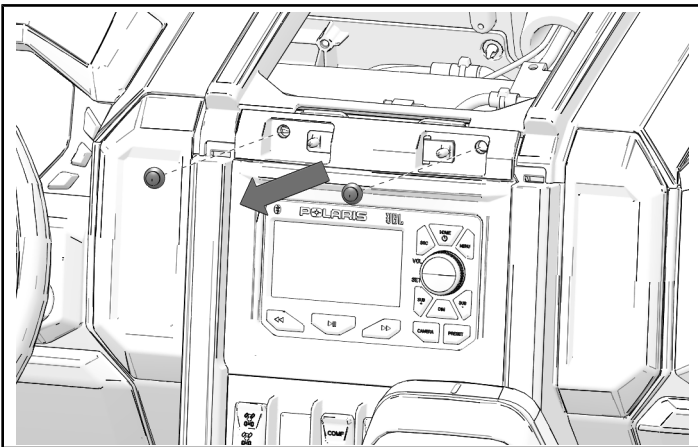
NOTICE

Vehicles without audio system will have a storage bin in place of head unit. Storage bin is removed in a similar manner to head unit.

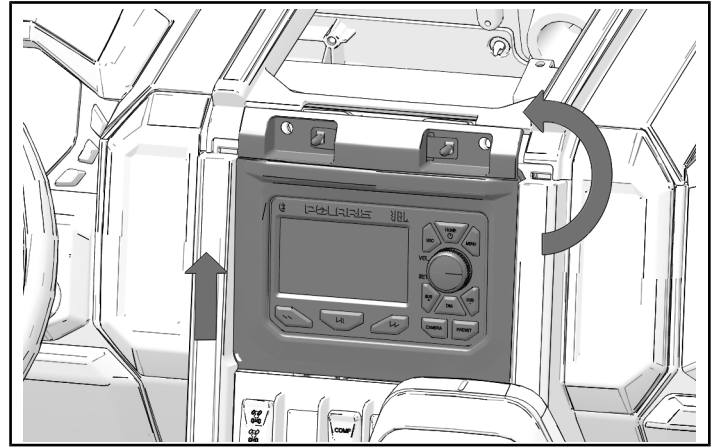
NOTICE

Base audio head unit removal shown. Ride Command® display removal similar.

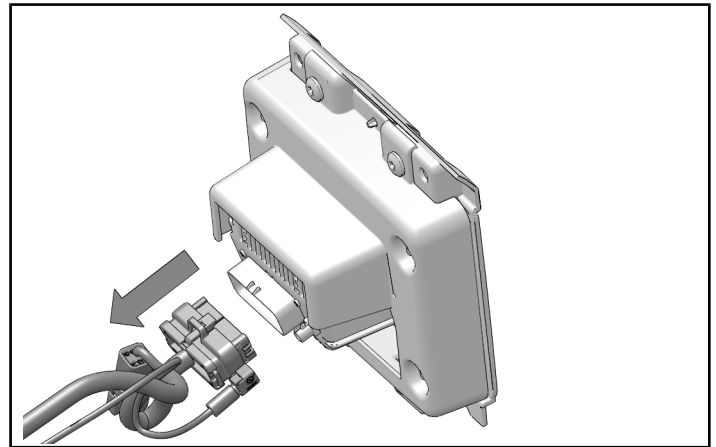
1. Remove and keep two push-pin rivets from top of the head unit.



2. Pull top of head unit away from dash and lift head unit up to remove from dash.

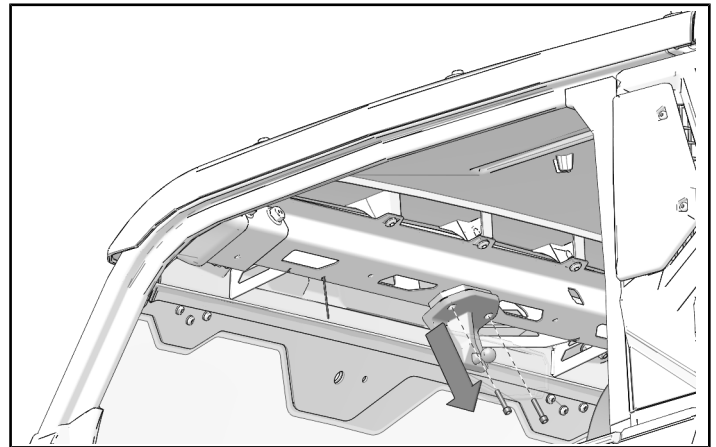


3. Disconnect wiring harness and antenna from head unit. Remove head unit.



FRONT ROOF LINER REMOVAL

1. Remove and keep two screws and rearview mirror assembly (if equipped).



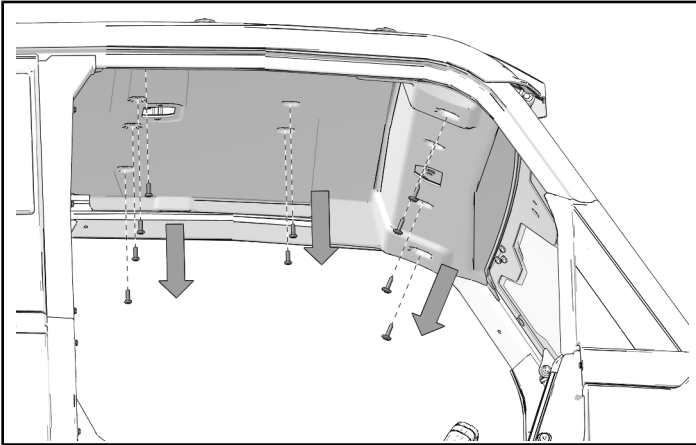
- Remove and keep six screws from top of roof liner and four screws from front of roof liner.

NOTICE

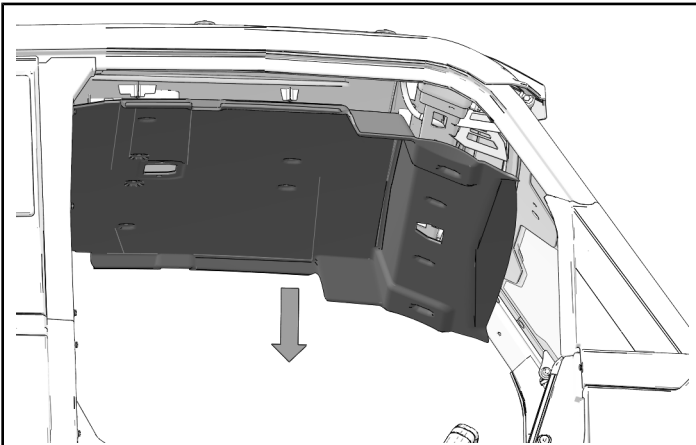
Vehicles that are not equipped with rearview mirror will have a fifth screw at front of roof liner.

NOTICE

Vehicles equipped with 2-passenger cab will have three additional screws near rear of roof liner.

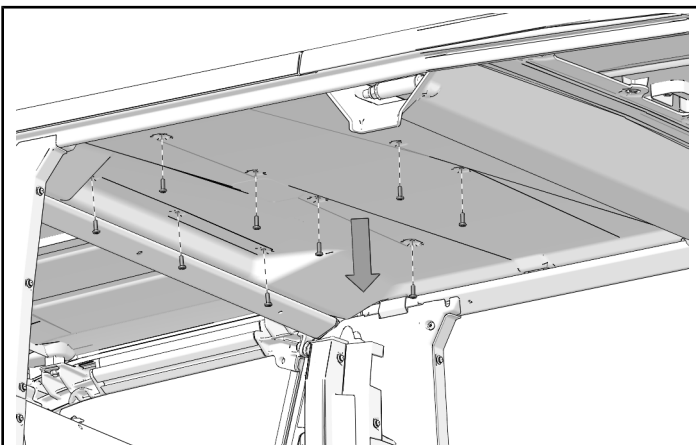


- Remove front roof liner.

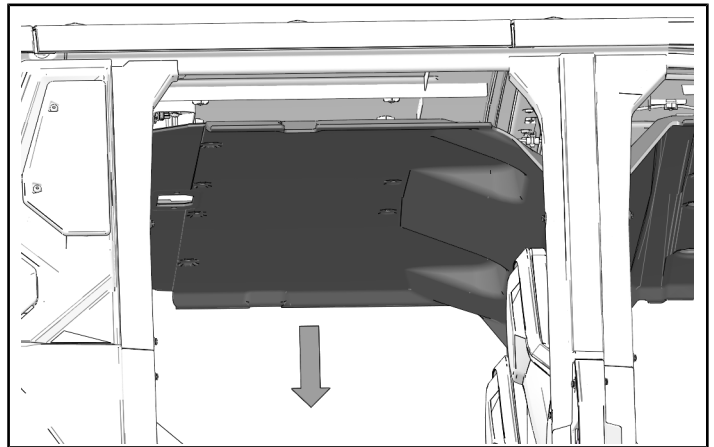


MID ROOF LINER REMOVAL

- Remove nine screws from mid roof liner.

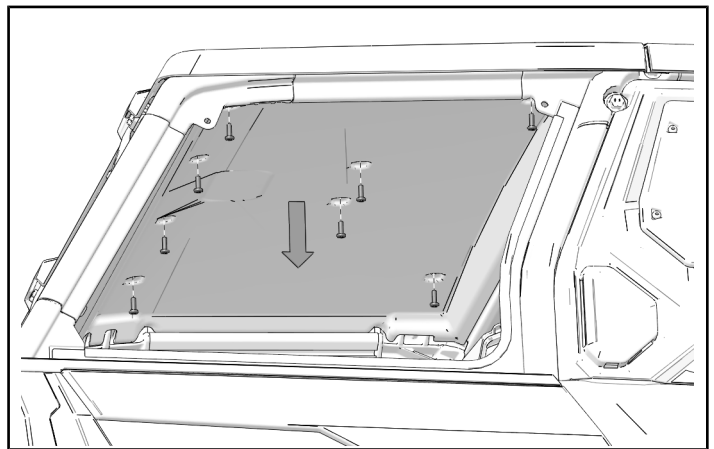


- Remove mid roof liner.

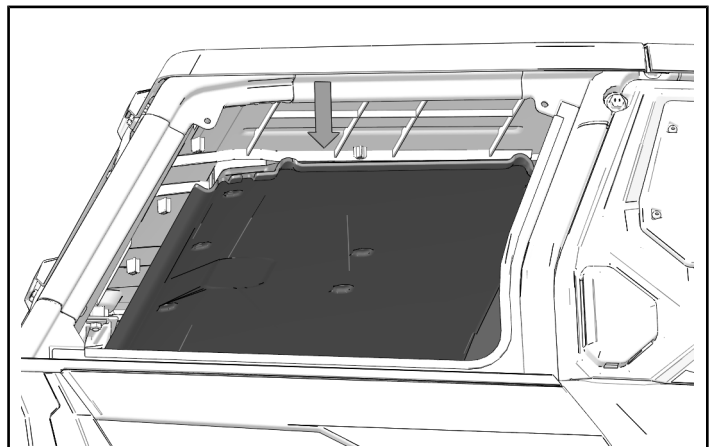


REAR ROOF LINER REMOVAL

- Remove and keep eight screws from rear liner.



- Remove rear liner.



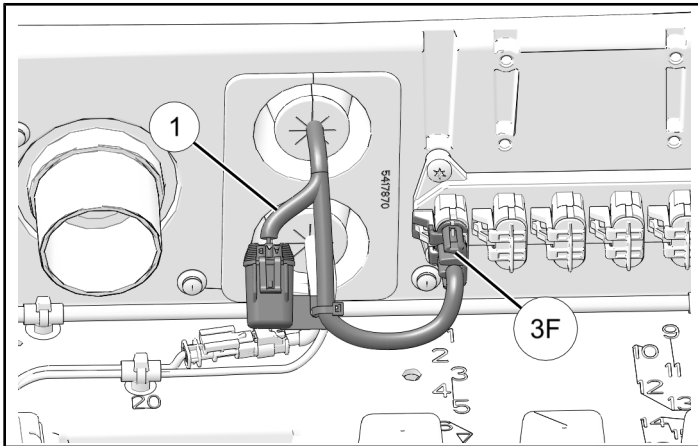
ACCESSORY INSTALLATION

INSTALL CONTROL HARNESS

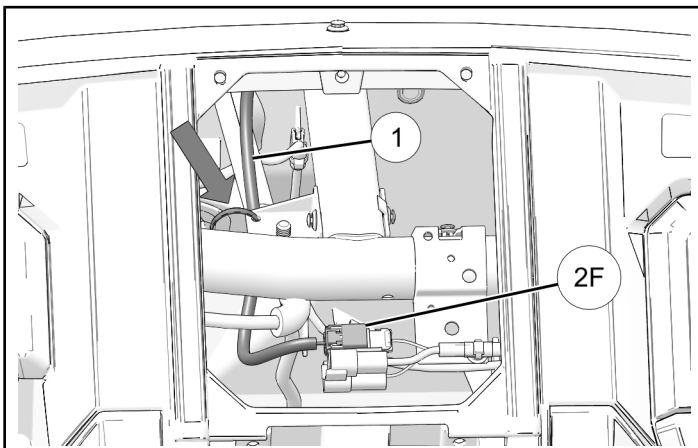
IMPORTANT

Control harness is only needed for vehicles **not** equipped with HVAC system. If vehicle is equipped with HVAC system, control harness can be discarded.

1. Install control harness ①. Insert connector into Polaris Pulse® bar. Route the other end of the harness through the upper grommet at rear of underhood area.



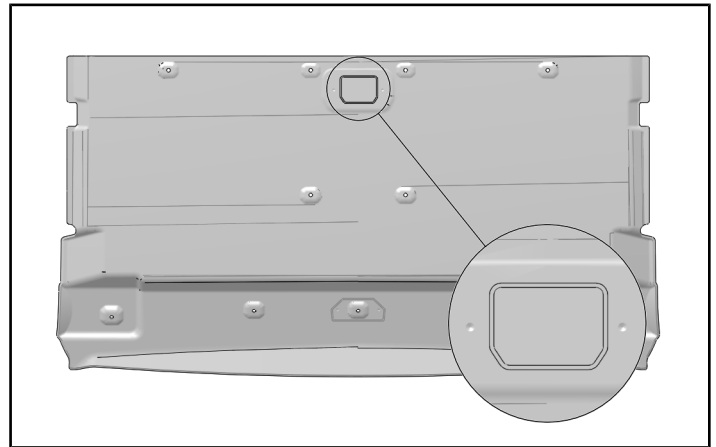
2. Connect harness ① to ROPS harness. Insert connector into the appropriate connector on ROPS harness. Use cable tie on harness to attach harness to chassis at point shown.



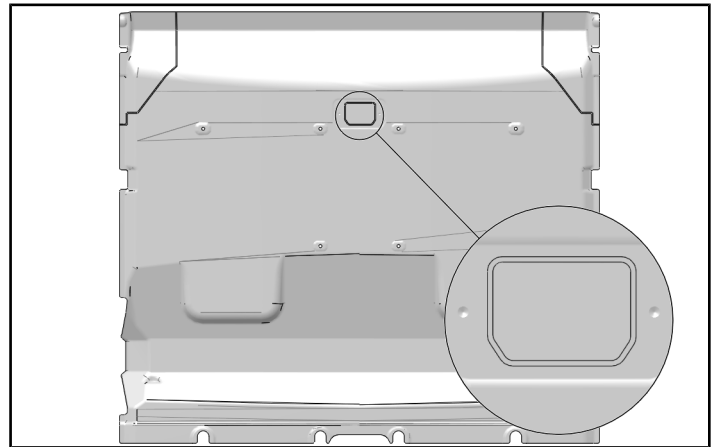
CUT ROOF LINER OPENINGS

On the upper side of roof liners there is a scored line that shows where to cut out dome light opening. Use a utility knife or similar tool to cut the dome light opening in each liner where a dome light is being installed.

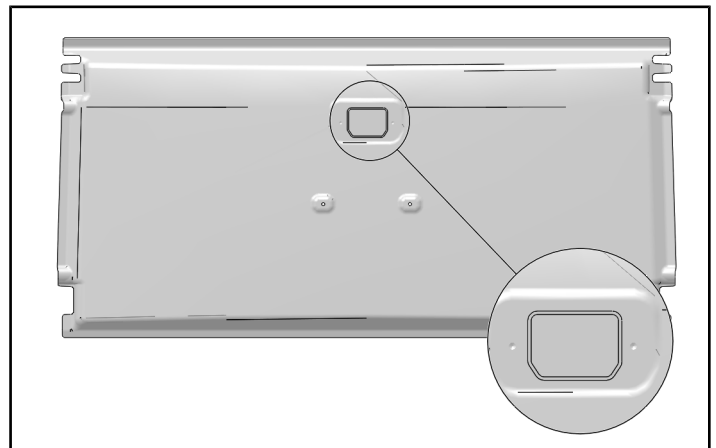
- Cutout location for front roof liner.



- Cutout location for mid roof liner.

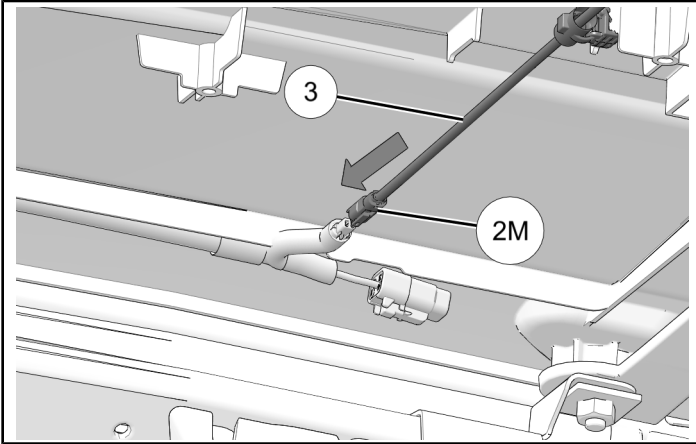


- Cutout location for rear roof liner.

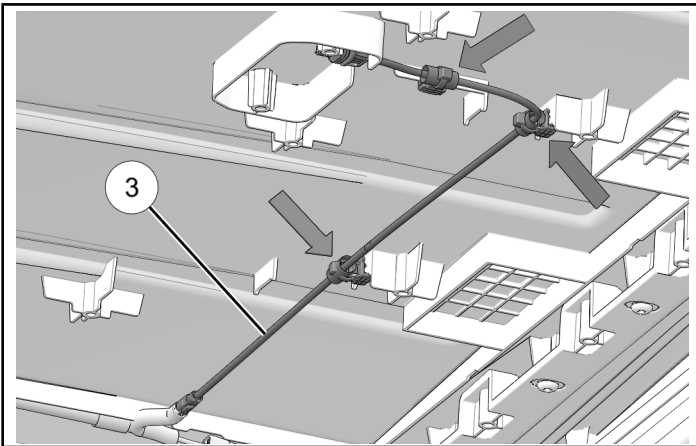


INSTALLATION FOR FRONT DOME LIGHT ONLY

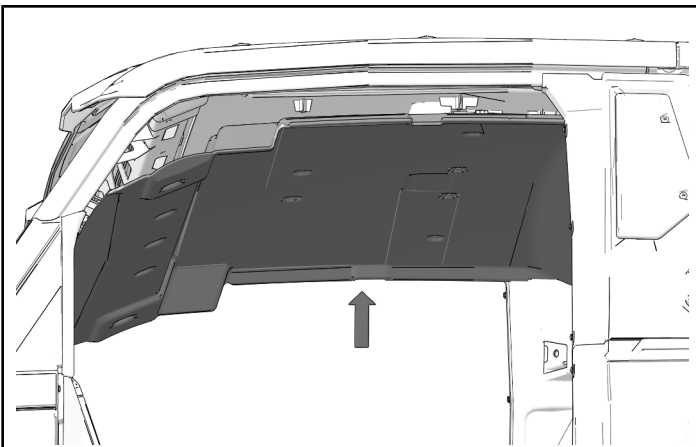
1. Connect harness ③ to ROPS harness above passenger side window.



2. Clip harness ③ to roof at points shown.



3. Install front roof liner. Make sure dome light harness is accessible through cutout in liner.



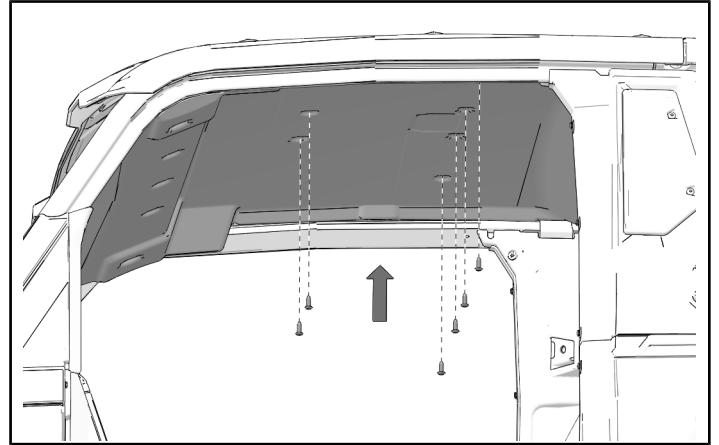
4. Install six screws to hold roof liner to roof. Torque screws to specification.

TORQUE

Roof Liner Screws:
27 in-lbs (3 N·m)

NOTICE

Vehicles equipped with 2-passenger cab will have three additional screws near rear of roof liner.



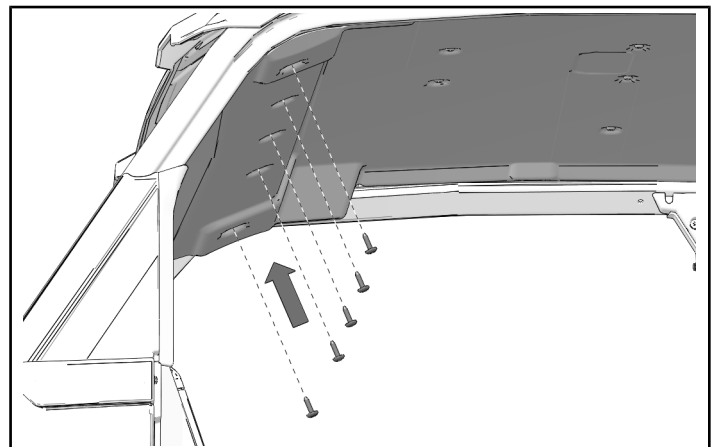
5. Install five screws in front edge of roof liner. Torque screws to specification.

NOTICE

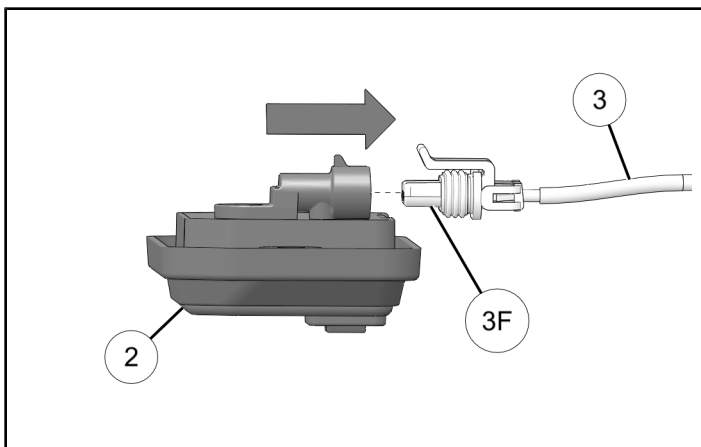
Vehicles equipped with rearview mirror will only have four screws.

TORQUE

Roof Liner Front Screws:
44 in-lbs (5 N·m)

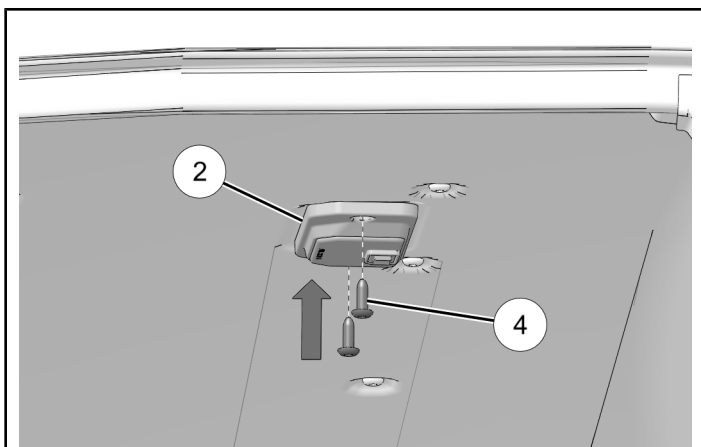


6. Connect dome light ② to connector on harness ③.



7. Install dome light ② and two screws ④. Torque screws to specification.

TORQUE
Screws ④:
18 in-lbs (2 N·m)

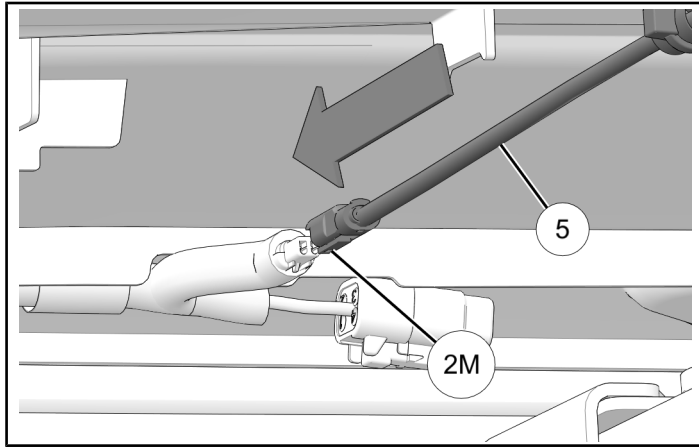


INSTALLATION FOR MULTI-PASSENGER MODELS OR 2-PASSENGER ADV MODEL

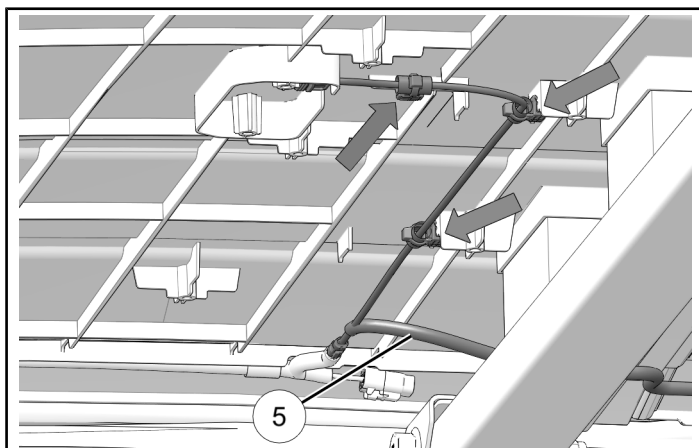
NOTICE
Dome Light Kit P/N 2885169 provides dome lights over front and rear seats for multi-passenger models, or provides front dome light and cargo light for 2-passenger ADV models.

IMPORTANT
Some models will come equipped from the factory with front dome light. If *Dome Light Kit*, P/N 2885169, is being installed, the kit will replace existing front dome light and harness. If installing *Dome Light Kit*, P/N 2885169, remove existing front dome light and harness and discard.

1. Connect 2M on harness ⑤ to ROPS harness.



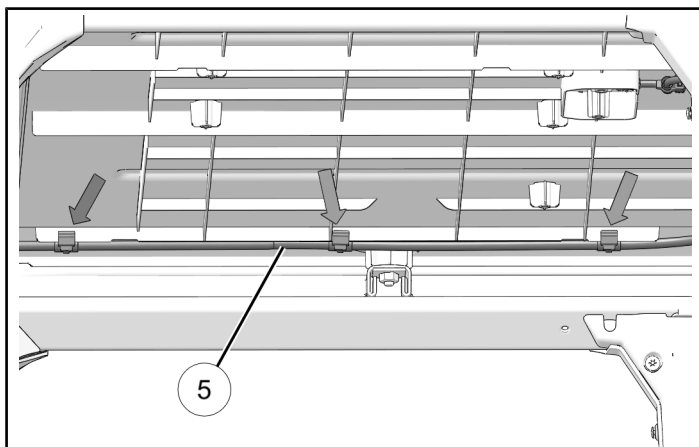
2. Clip harness ⑤ to roof at points shown. Route remaining leg of harness over ROPS, into rear compartment. as shown.



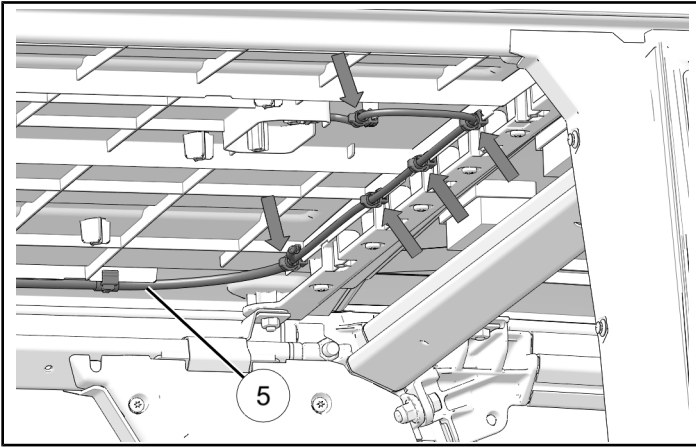
NOTICE
For multi-passenger models, continue with step 3.
For 2-passenger ADV models, proceed to step 7.

3. In rear seat compartment, clip harness ⑤ to right side of roof at points shown.

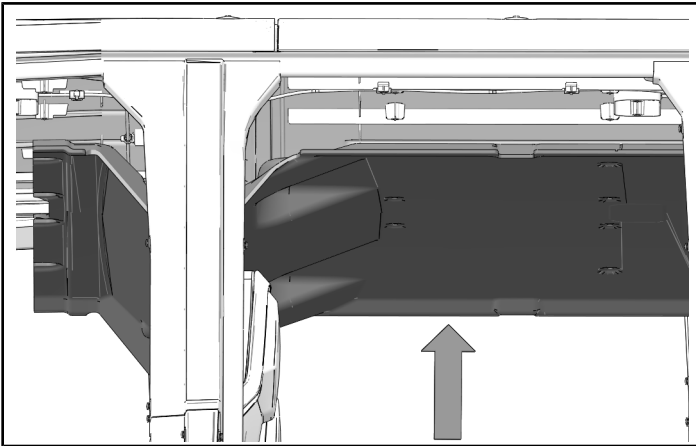
NOTICE
A section of harness



4. In rear seat compartment, clip harness ⑤ to rear of roof at points shown.



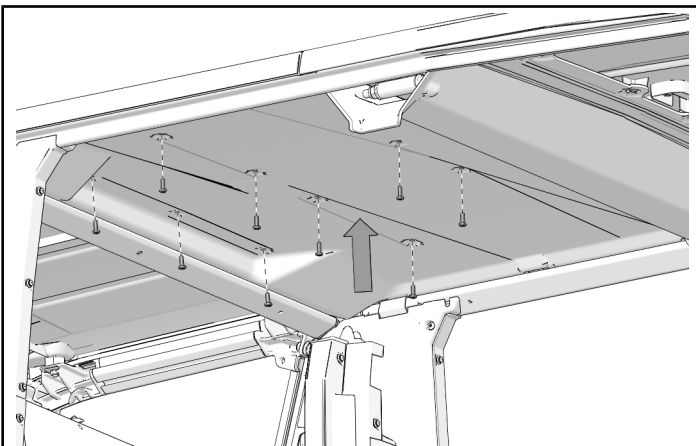
5. Install mid roof liner. Make sure dome light harness is accessible through cutout in liner.



6. Install nine screws to hold mid roof liner to roof. Torque screws to specification. Proceed to step 11.

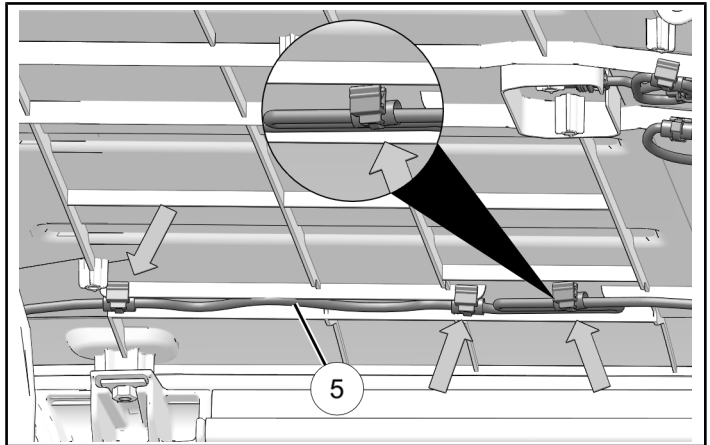
TORQUE

Roof Liner Screws:
27 in-lbs (3 N·m)

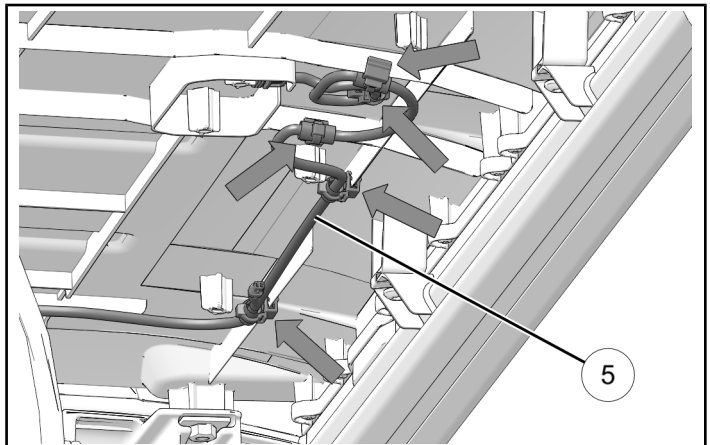


7. In cargo compartment, clip harness ⑤ to right side of roof at points shown.

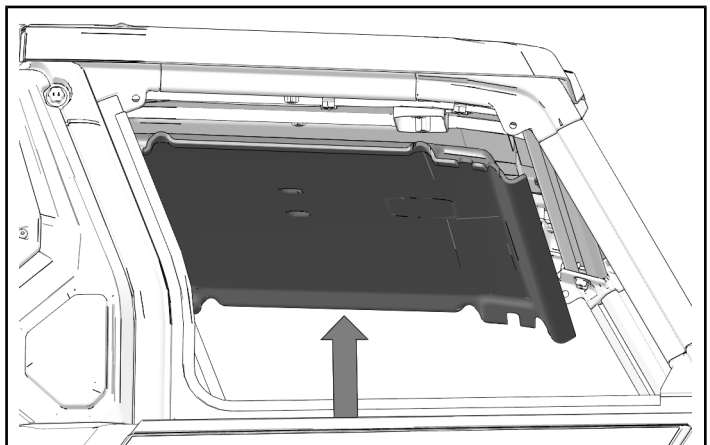
NOTICE
 A section of harness



8. In cargo compartment, clip harness ⑤ to rear of roof at points shown.



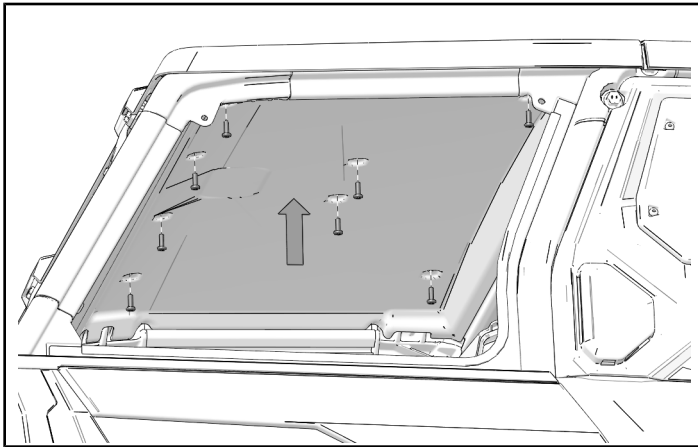
9. Install rear roof liner. Make sure dome light harness is accessible through cutout in liner.



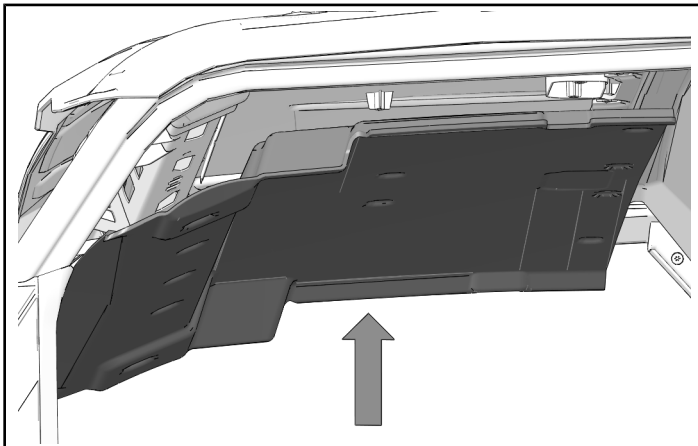
10. Install eight screws to hold rear roof liner to roof. Torque screws to specification.

TORQUE

Roof Liner Screws:
27 in-lbs (3 N·m)



11. Install front roof liner. Make sure dome light harness is accessible through cutout in liner.



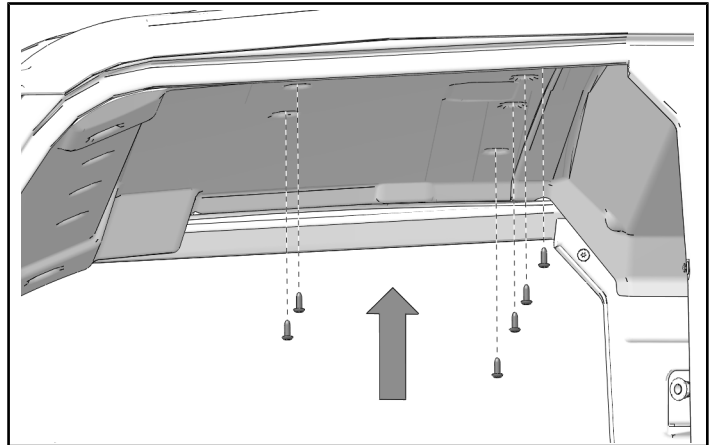
12. Install six screws to hold roof liner to roof. Torque screws to specification.

TORQUE

Roof Liner Screws:
27 in-lbs (3 N·m)

NOTICE

Vehicles equipped with 2-passenger cab will have three additional screws near rear of roof liner.



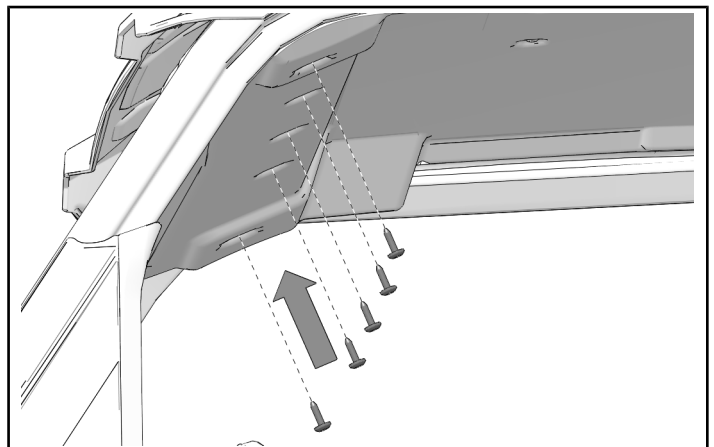
13. Install five screws in front edge of roof liner. Torque screws to specification.

NOTICE

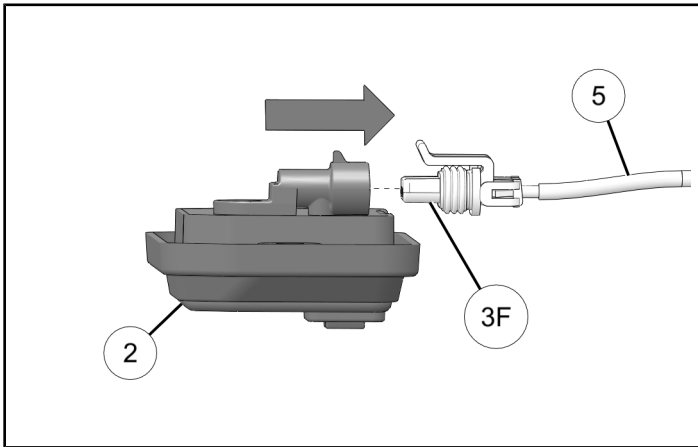
Vehicles equipped with rearview mirror will only have four screws.

TORQUE

Roof Liner Front Screws:
44 in-lbs (5 N·m)



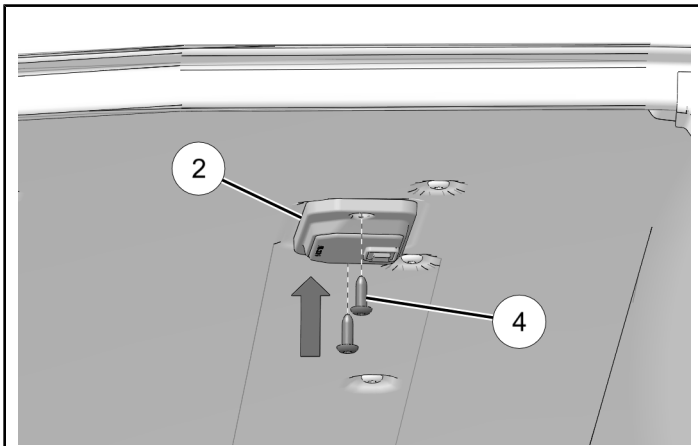
14. Connect dome light ② to connector on harness ⑤.
Repeat for other dome light.



15. Install dome light ② and two screws ④ in front compartment. Torque screws to specification. Repeat for rear compartment.

TORQUE

Screws ④:
18 in-lbs (2 N·m)

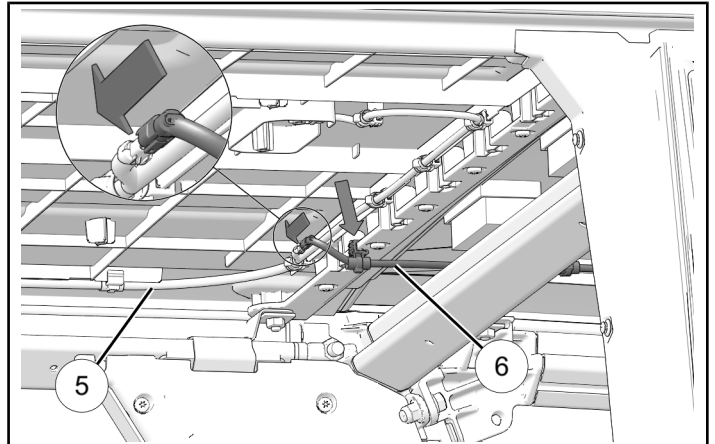


INSTALLATION OF REAR DOME LIGHT FOR MULTI-PASSENGER ADV MODEL

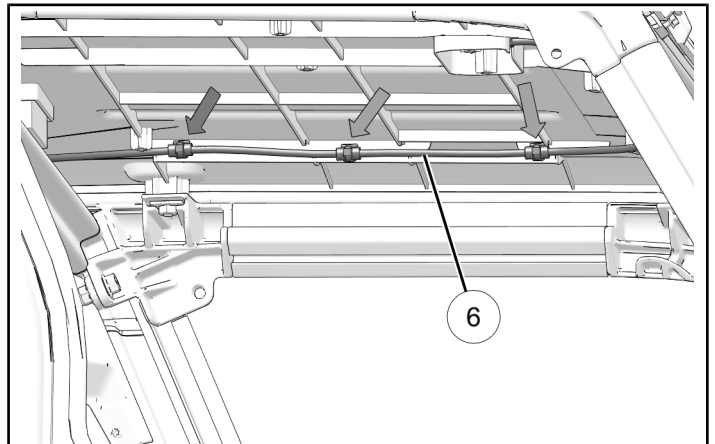
NOTICE

Dome Light Kit P/N 2890032 provides cargo light for multi-passenger ADV models. Previous installation of Dome Light Kit P/N 2885169 is required.

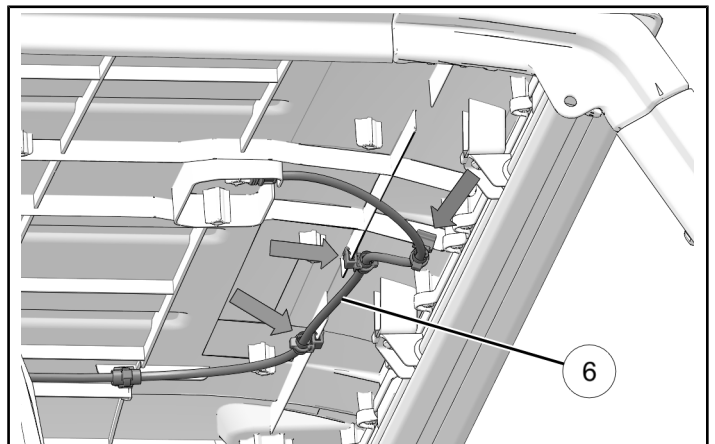
1. Connect harness ⑥ to harness ⑤. Clip harness ⑥ to roof at point shown. Route harness over ROPS into cargo area.



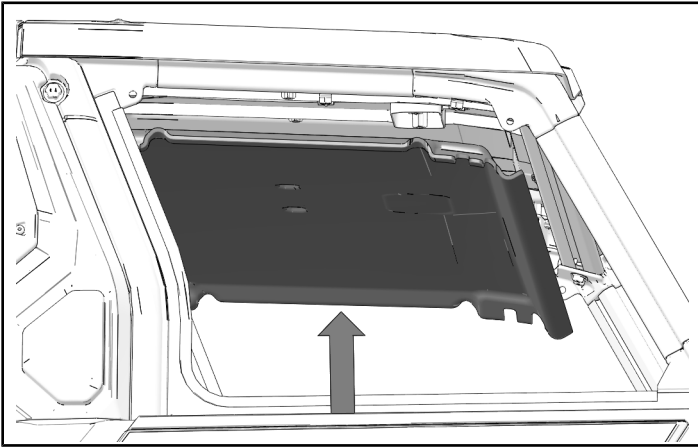
2. Route harness ⑥ along right side of roof. Clip harness to roof of cargo area at points shown.



3. Route harness ⑥ across rear of roof. Clip harness to roof of cargo area at points shown.



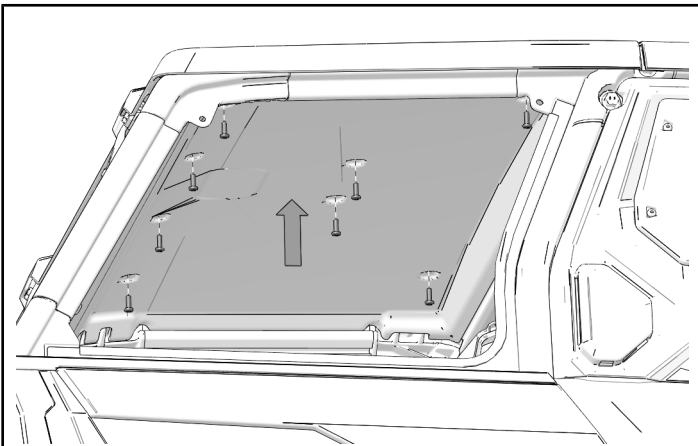
4. Install rear roof liner. Make sure dome light harness is accessible through cutout in liner.



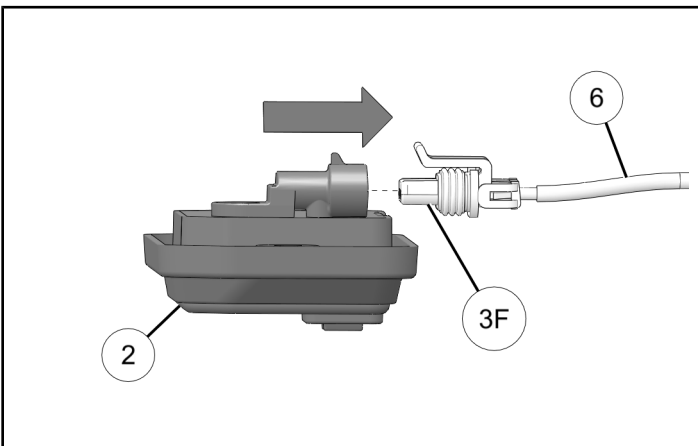
5. Install eight screws to hold rear roof liner to roof. Tighten screws to specification.

TORQUE

Roof Liner Screws:
27 in-lbs (3 N·m)



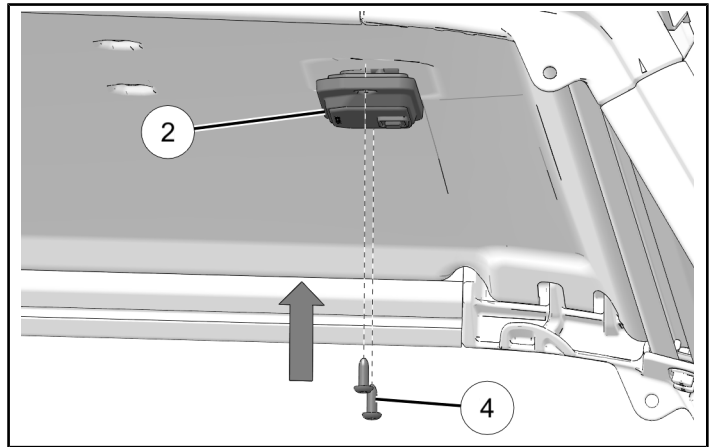
6. Connect dome light ② to connector on harness ⑥. Repeat for other dome light.



7. Install dome light ② and two screws ④. Tighten screws to specification.

TORQUE

Screws ④:
18 in-lbs (2 N·m)



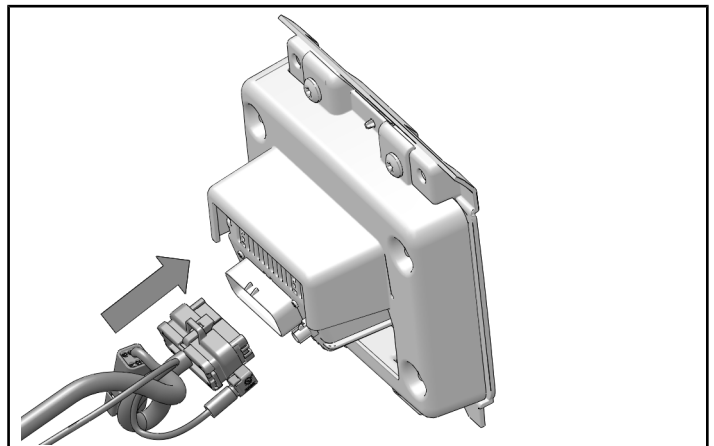
VEHICLE REASSEMBLY

HEAD UNIT INSTALLATION

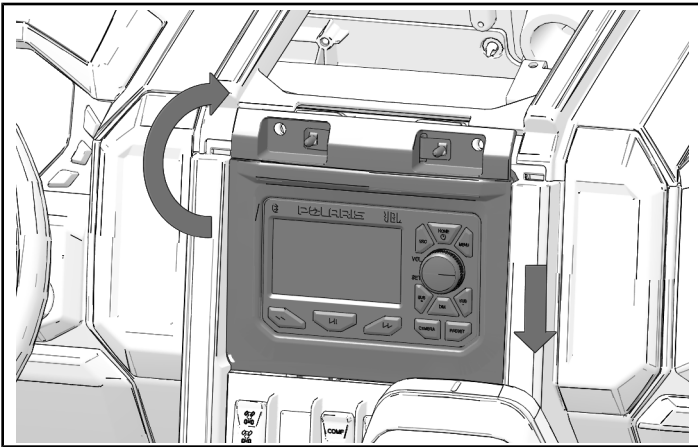
NOTICE

Base audio head unit installation shown. Ride Command® display installation similar.

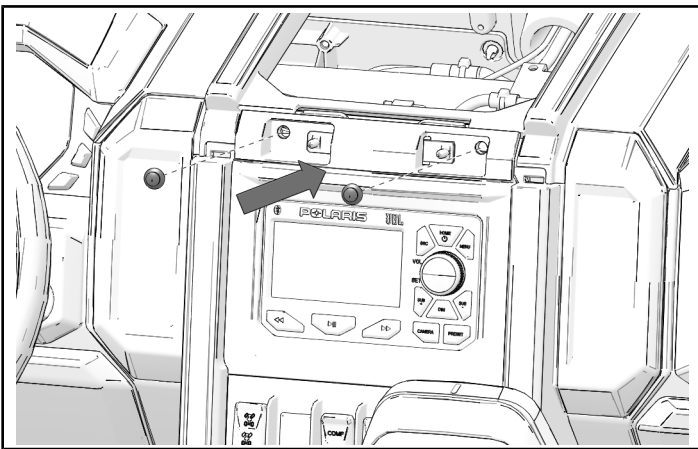
1. Attach wiring harness and antenna to head unit.



- Put bottom of head unit into position. Push top of head unit into dash.

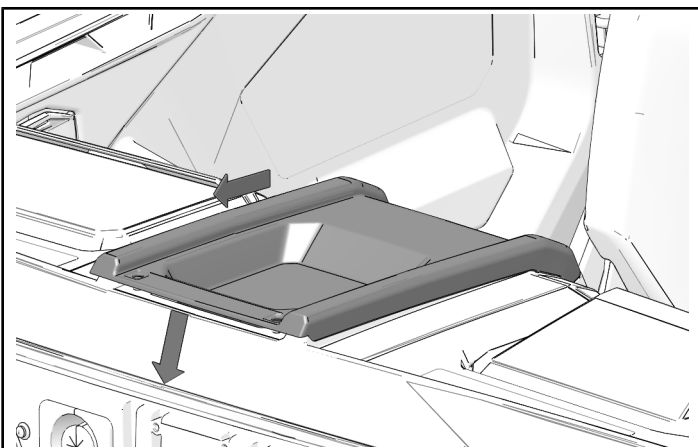


- Install two push-pin rivets into top of head unit.

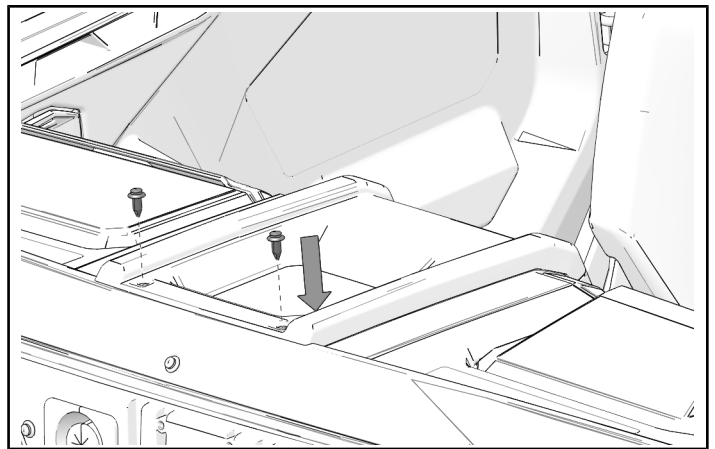


CENTER DASH PANEL INSTALLATION

- Install center panel. Install rear tabs into dash, then lower into position.



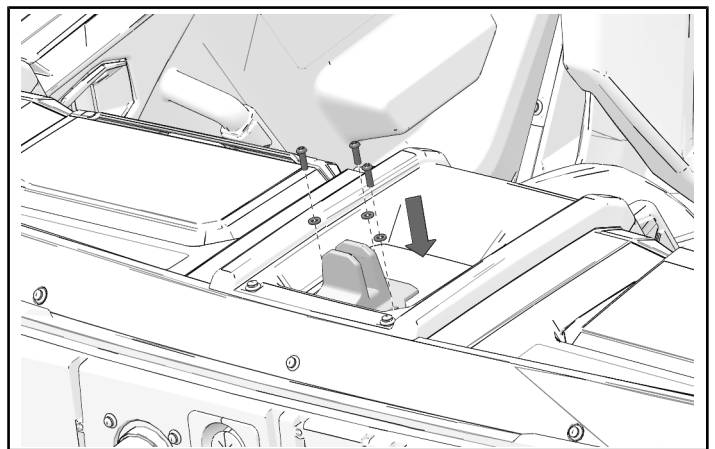
- Install two push-pin rivets.



- If vehicle is equipped with tip-out windshield. Install base, three screws, and washers. Torque screws to specification.

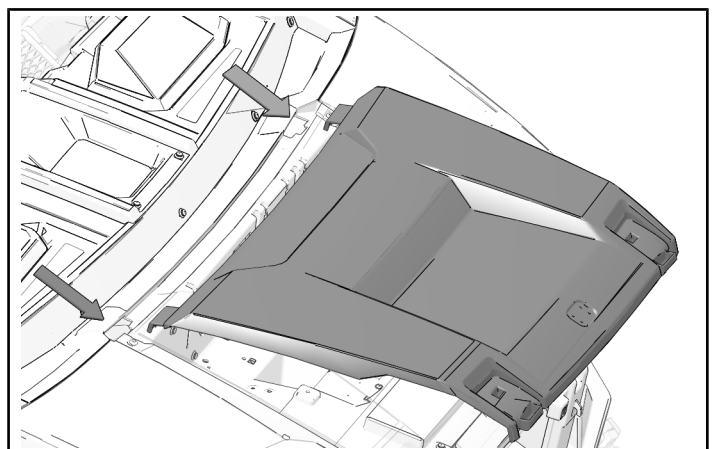
TORQUE

Base Screws:
89 in-lbs (10 N·m)

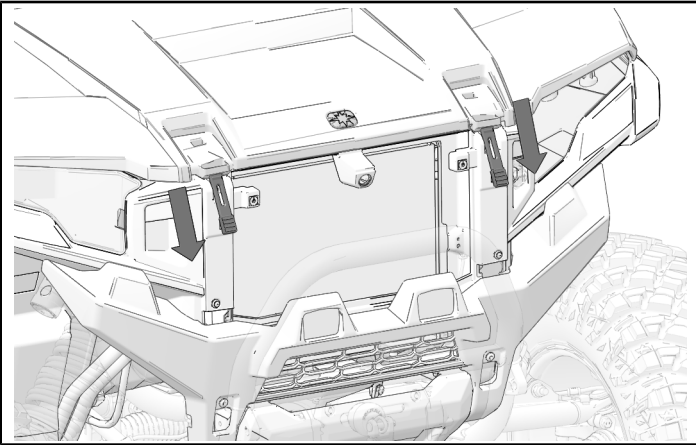


HOOD AND GRILL INSTALLATION

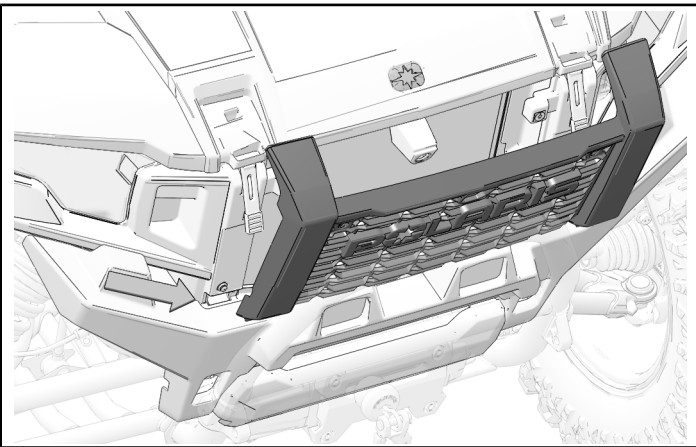
- Put tabs on hood through openings in underhood liner. Then lower hood into position.



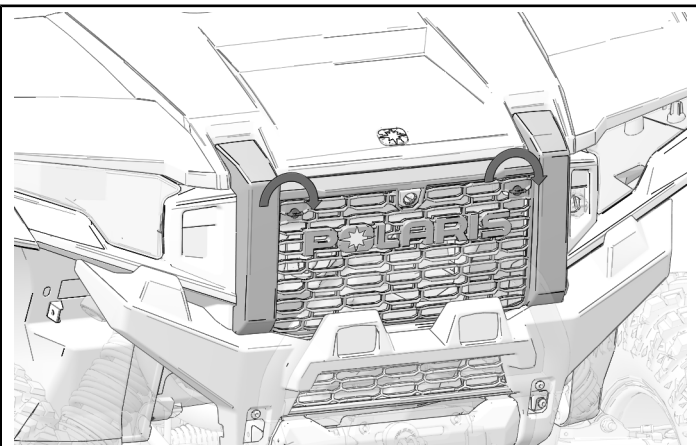
2. Pull rubber straps down over hooks to secure hood.



3. Put tabs on grill through openings in front fascia. Push top of grill into correct position.

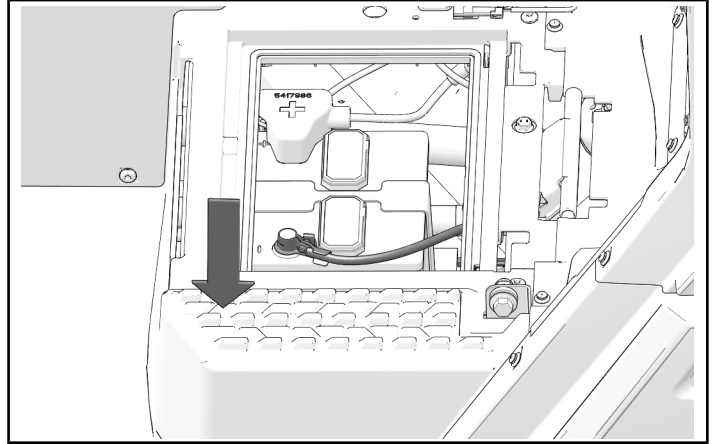


4. Push each stud in and turn one-quarter turn clockwise to attach grill.

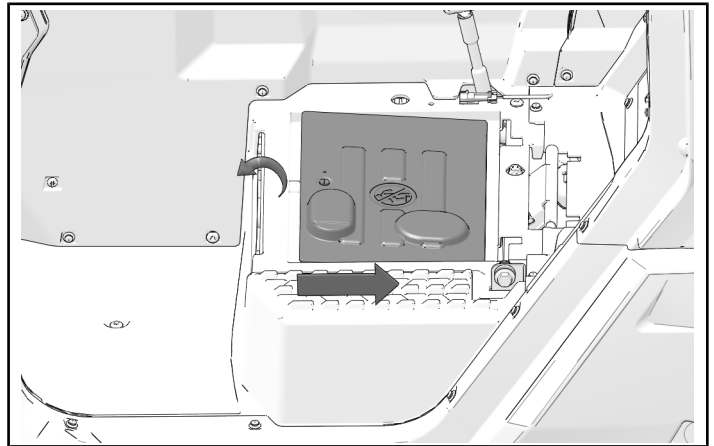


CONNECT BATTERY

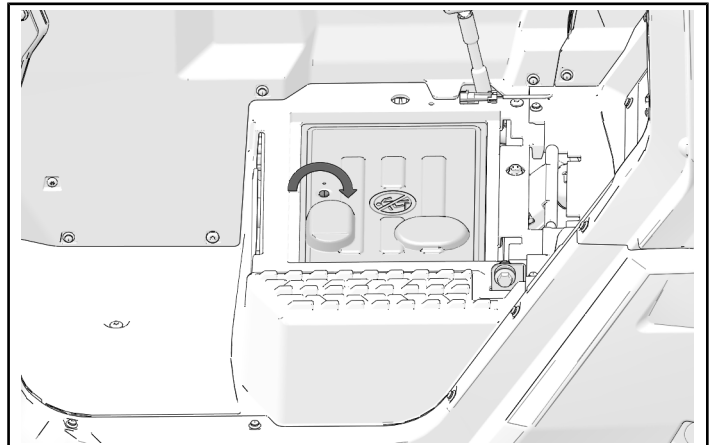
1. Connect negative cable to battery.



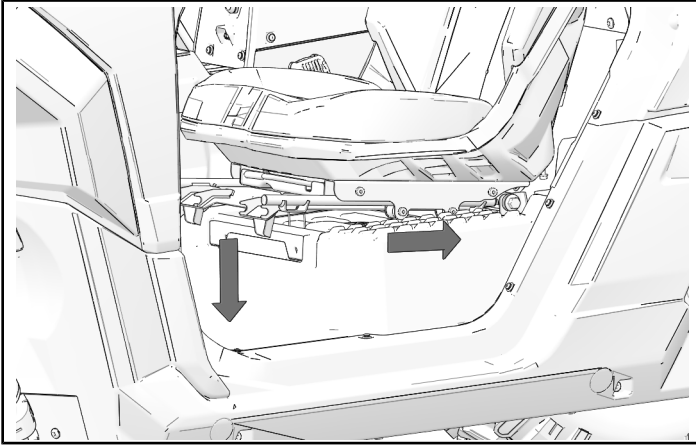
2. Push battery cover rearward and lower into place.



3. Turn screw to close cover.

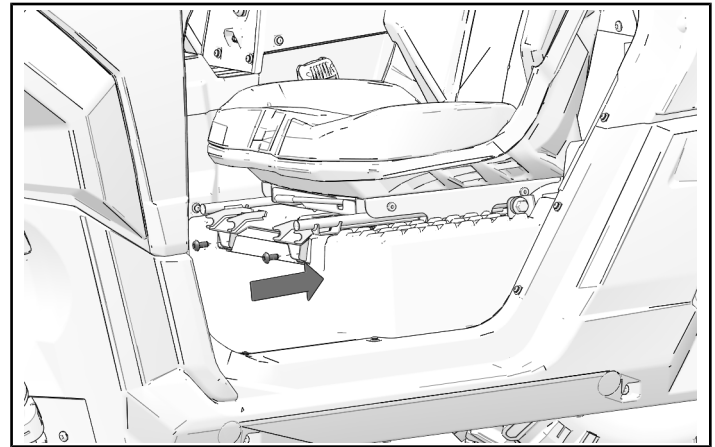


4. Push rearward to engage seat and lower front of seat into place.



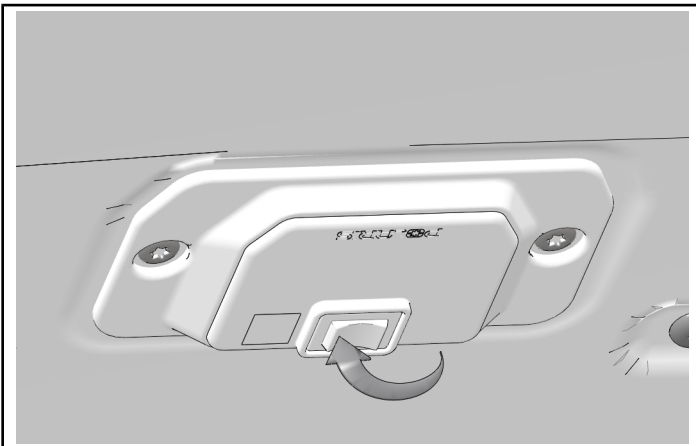
5. Install two kept screws at front of seat base. Torque screws to specification.

TORQUE
Screws:
13 ft-lbs (18 N·m)



OPERATION

With key turned ON, press passenger side of dome light switch to turn on dome light.



Press driver side of dome light switch to turn off dome light.

