

CENTER REARVIEW MIRROR KIT



P/N 2884486

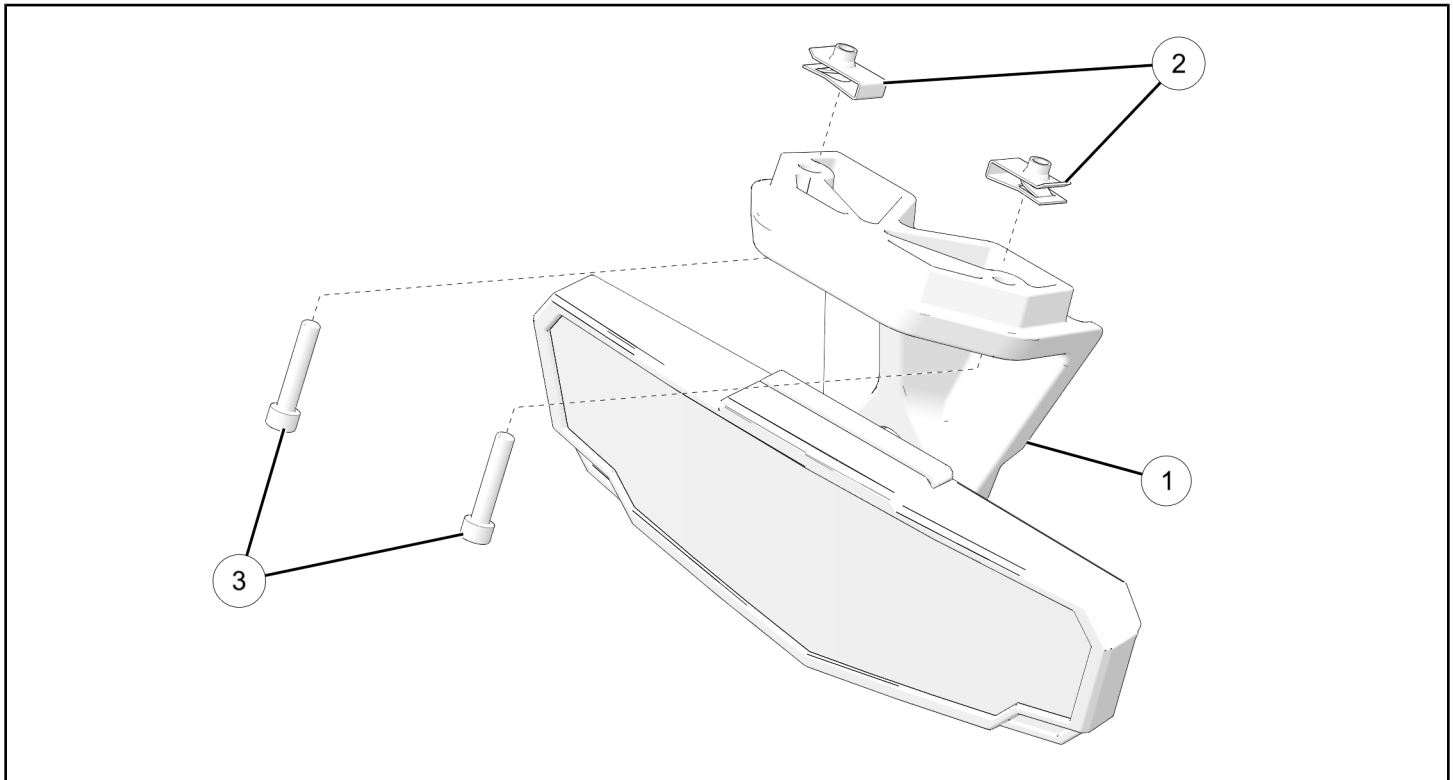
BEFORE YOU BEGIN

Read these instructions and check to be sure all parts and tools are accounted for. Please retain these installation instructions for future reference and parts ordering information.

APPLICATION

Verify accessory fitment at www.polaris.com.

KIT CONTENTS



REF	QTY	PART DESCRIPTION	P/N AVAILABLE SEPARATELY	AVAILABLE SERVICE KIT
1	1	Rearview Mirror Assembly	2638789	n/a
2	2	Speed Nut	7081305	2209309
3	2	Socket Head Screw M6 x 1.0 x 30 mm	7520867	2209309

TOOLS REQUIRED

- Safety Glasses
- Utility Knife
- Socket Set, Hex Bit, Metric
- Socket Set, Torx® Bit

IMPORTANT

Your Center Rearview Mirror Kit is exclusively designed for your vehicle. Please read the installation instructions thoroughly before beginning. Installation is easier if the vehicle is clean and free of debris. For your safety, and to ensure a satisfactory installation, perform all installation steps correctly in the sequence shown.

INSTALLATION INSTRUCTIONS

VEHICLE PREPARATION

GENERAL

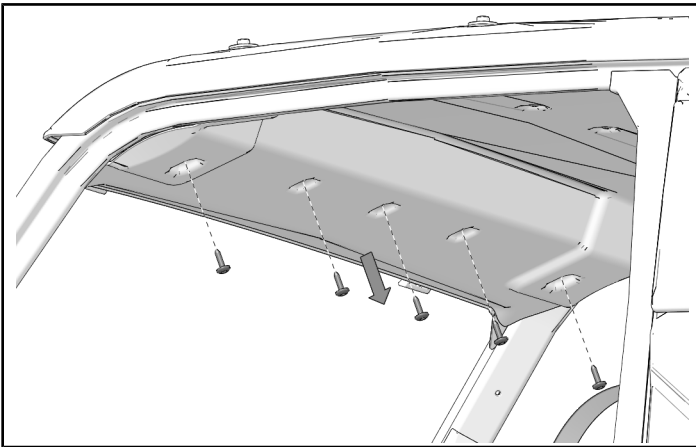
1. Park vehicle on a flat surface.
2. Shift vehicle into PARK.
3. Turn key to OFF position and remove key.

ACCESSORY INSTALLATION

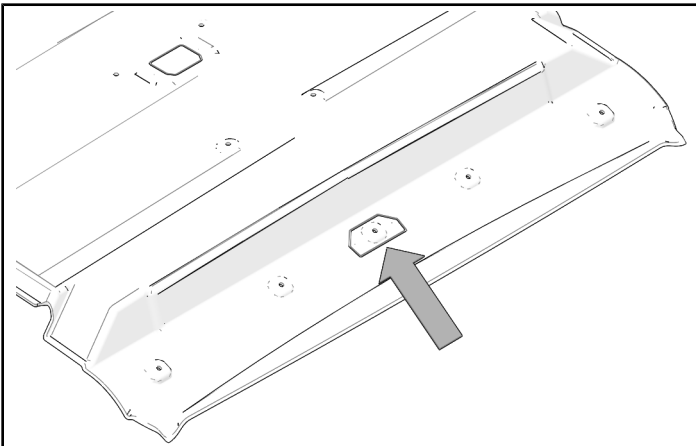
1. Remove and keep five screws that hold the front of the roof liner (if equipped) to the ROPS.

NOTICE

If vehicle is not equipped with roof liner, proceed to Step 3, and then to Step 5.



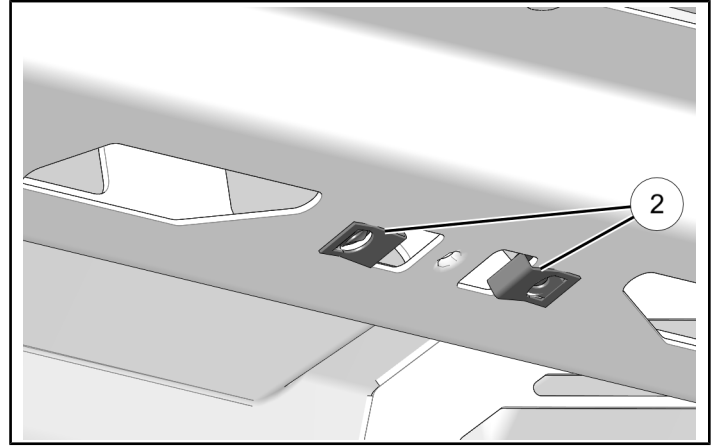
2. Lower the front of the roof liner. Cut along the existing trim line to create the opening for the mirror.



3. Install speed nuts ② into the openings in the ROPS.

NOTICE

Make sure the threaded side of the speed nut is positioned on the upper side of the opening.



4. Reinstall roof line using kept screws. Torque screws to specification.

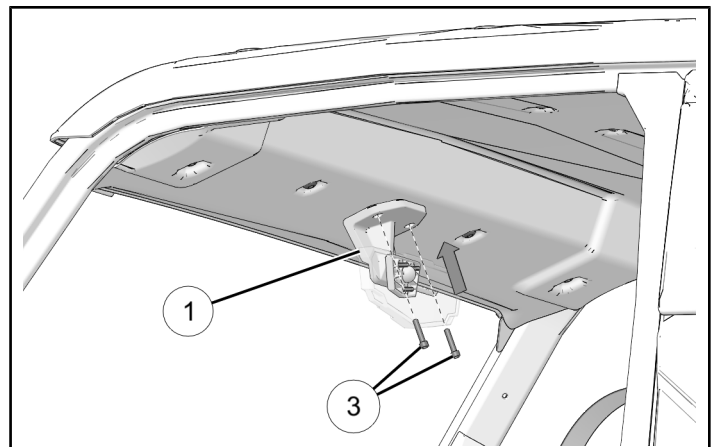
TORQUE

Torx® Screws:
42 in-lbs (4.7 N·m)

5. Install mirror assembly ① using two socket head screws ③. Torque screws to specification.

TORQUE

Socket Head Screws ③:
66 in-lbs (7.5 N·m)



INSTRUCTION FEEDBACK FORM

A feedback form has been created for the installer to provide any comments, questions or concerns about the installation instructions. The form is viewable on mobile devices by scanning the QR code or by clicking [HERE](#) if viewing on a PC.

