

FRONT WIPER KIT



P/N 2884484

MISSING OR DAMAGED PARTS

Before beginning assembly, inspect the kit and its component(s) to be sure all parts and tools are accounted for and not damaged. If missing parts or parts are damaged, please contact your Selling Dealer for assistance.

If your accessory was purchased online, please contact POLARIS® customer service at **1-800-POLARIS** (US & Canada only).

APPLICATION

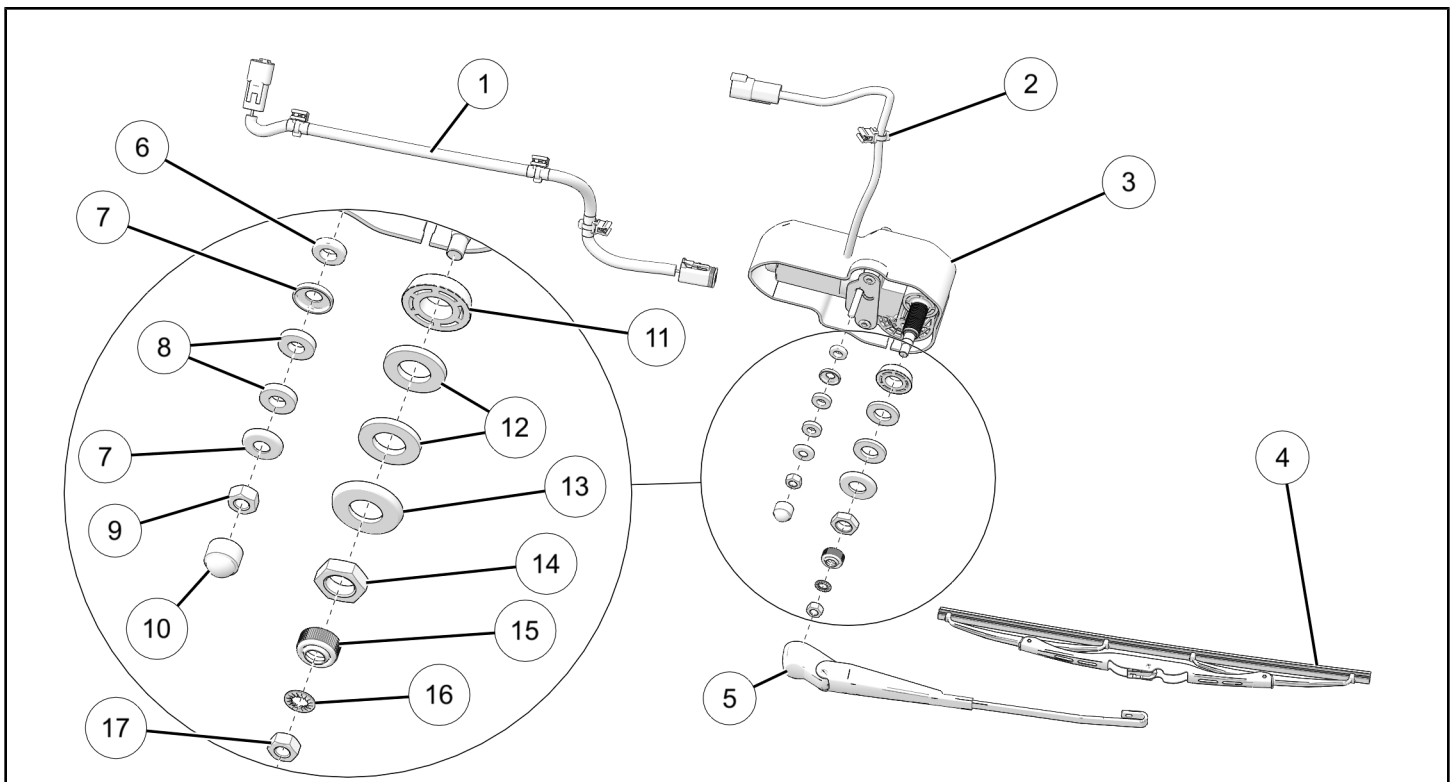
Verify accessory fitment at www.polaris.com.

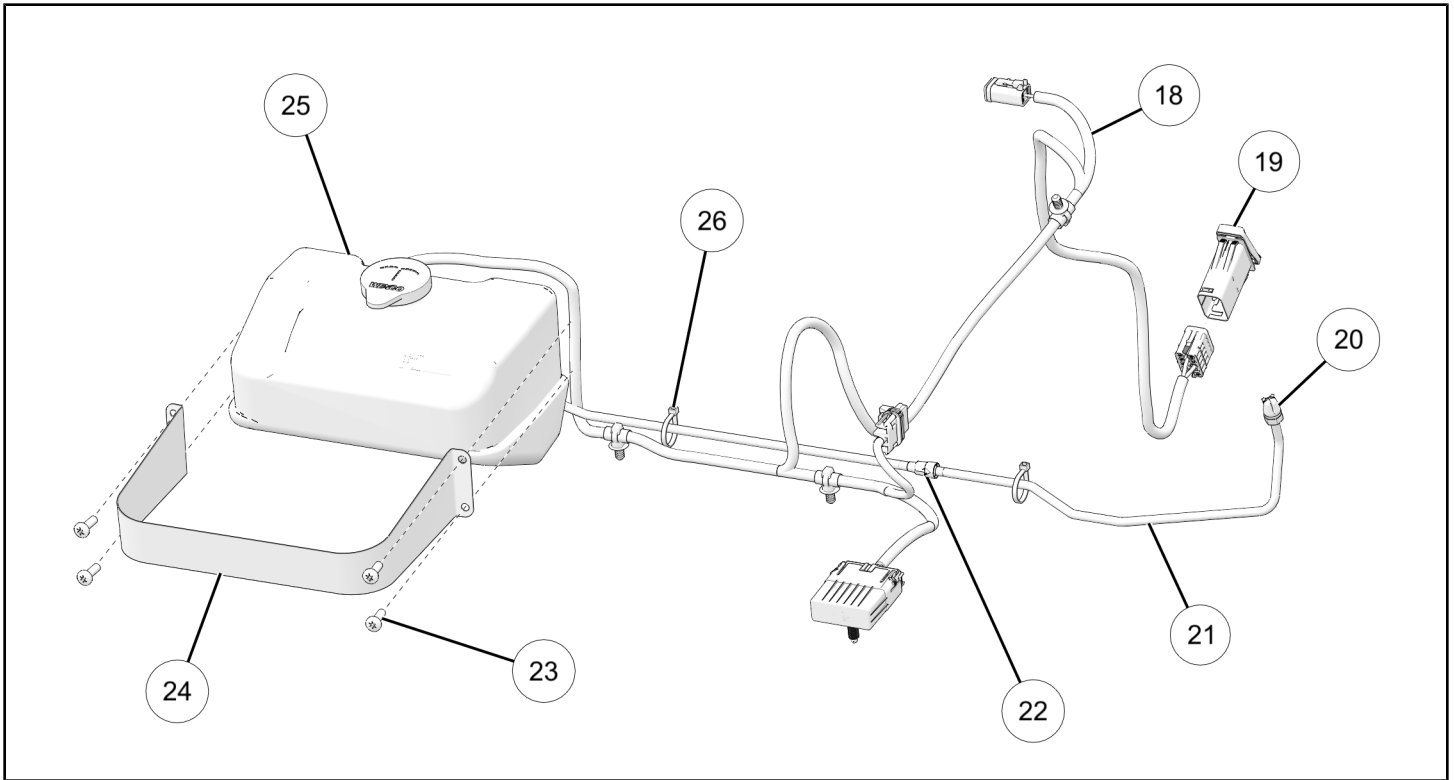
REQUIRED SOLD SEPARATELY

Only parts for installation of the Front Wiper Kit are included. Prior installation of the following additional kits are also required (sold separately):

- *ROPS Harness Kit*, P/N 2885170
- *Fixed or Tipout Windshield Kit*, P/N 2884410, 2884408

KIT CONTENTS



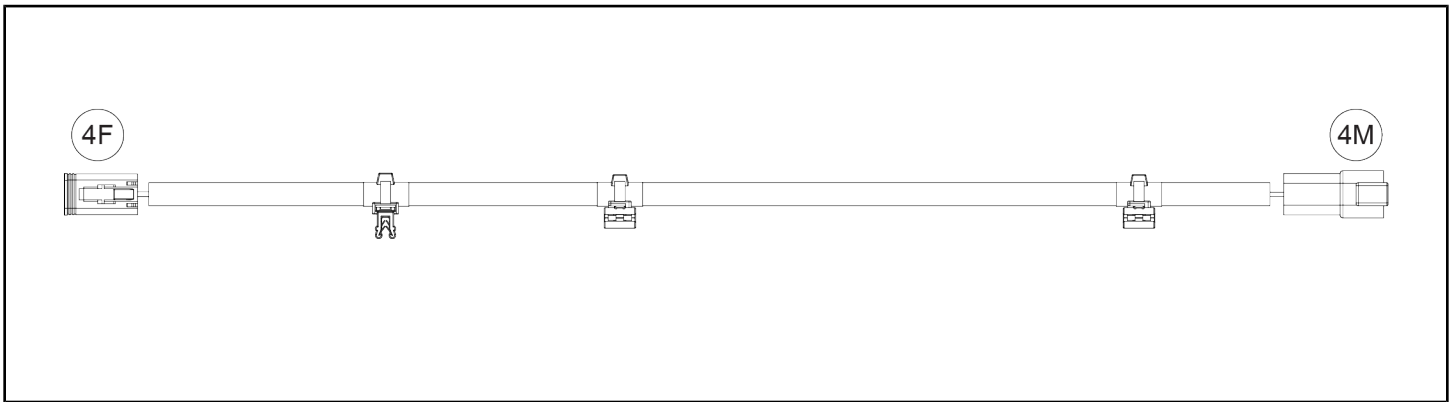


REF	QTY	PART DESCRIPTION	P/N AVAILABLE SEPARATELY	AVAILABLE SERVICE KIT
1	1	Harness, Front Wiper Extension	2415428	n/a
2	1	Edge Clip	7081808	n/a
3	1	Motor, Windshield Wiper	2638200	n/a
4	1	Wiper Blade	2637635	n/a
5	1	Wiper Arm	2638196	n/a
6	1	Bushing	n/a	2211862
7	2	Cap Washer	n/a	2211862
8	2	Flat Washer	n/a	2211862
9	1	Nut	n/a	2211862
10	1	Nut Cap	n/a	2211862
11	1	Retainer	n/a	2208225
12	2	Washer	n/a	2208225
13	1	Washer Cap	n/a	2208225
14	1	Nut	n/a	2208225
15	1	Cap	n/a	2208225
16	1	Lockwasher	n/a	2208225
17	1	Nut	n/a	2208225
18	1	Harness, Washer	2415370	n/a
19	1	Switch	4080801-10	n/a
20	1	Nozzle	2637660	n/a

REF	QTY	PART DESCRIPTION	P/N AVAILABLE SEPARATELY	AVAILABLE SERVICE KIT
21	2	Hose	5418470	n/a
22	1	Check Valve	7055609	n/a
23	4	Screw, Torx® Pan Head #14 x 0.75	7519731	n/a
24	1	Bracket	n/a	n/a
25	1	Washer Bottle	2638650	n/a
26	2	Cable Tie	7080138	n/a

HARNESS DETAIL

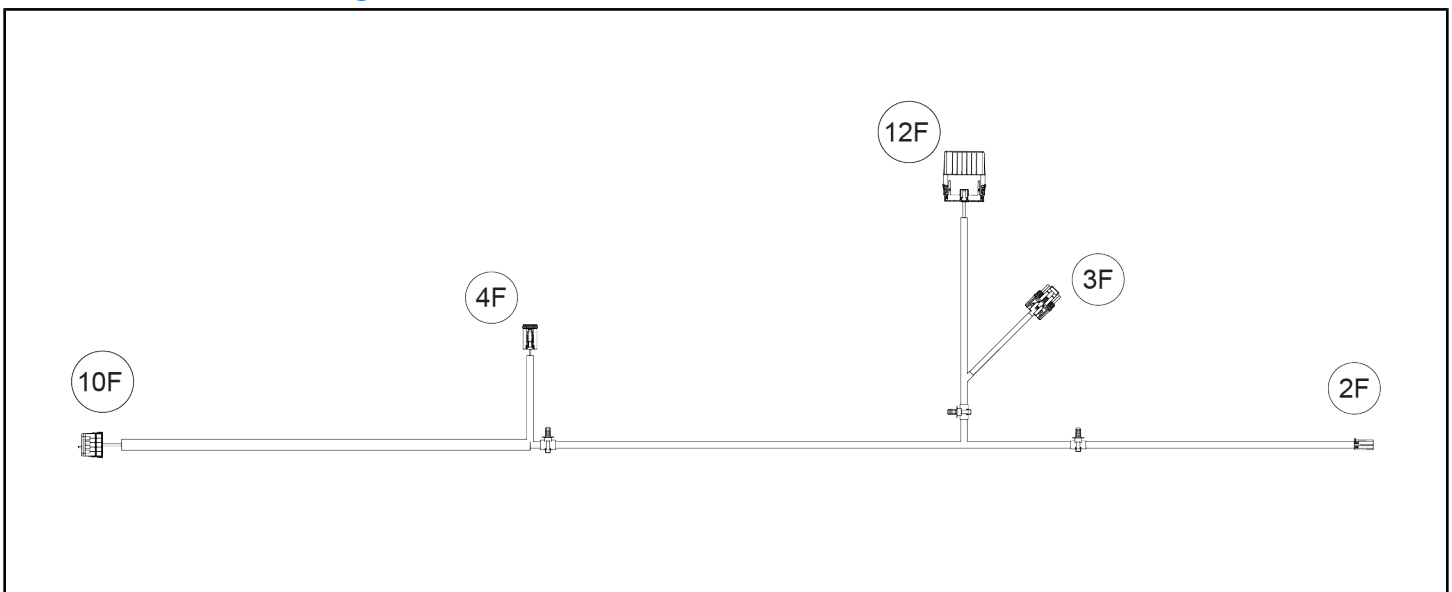
FRONT WIPER EXTENSION HARNESS ①



REF	PART DESCRIPTION	CONNECTS TO
4F	Wiper Motor Connector	Wiper Motor
4M	ROPS Harness Connector	ROPS Harness

Example: 16F = 16 pin, Female / 16M = 16 pin, Male (Male terminal fits inside female terminal)

WASHER HARNESS ⑱



REF	PART DESCRIPTION	CONNECTS TO
2F	Pump Connector	Pump
3F	Pulse® Bar Connector	Pulse® Bar
4F	ROPS Harness Connector	ROPS Harness
10F	Switch Connector	Switch
12F	Fuseblock Base	Relays and Fuse

Example: 16F = 16 pin, Female / 16M = 16 pin, Male (Male terminal fits inside female terminal)

TOOLS REQUIRED

- Safety Glasses
- Fish Tape (or equivalent)
- Pick and Hook Set
- Pliers, Push Pin Rivet
- Screwdriver Set, Torx®
- Socket Set, Torx® Bit
- Torque Wrench

IMPORTANT

Your Front Wiper Kit is exclusively designed for your vehicle. Please read the installation instructions thoroughly before beginning. Installation is easier if the vehicle is clean and free of debris. For your safety, and to ensure a satisfactory installation, perform all installation steps correctly in the sequence shown.

INSTALLATION INSTRUCTIONS

VEHICLE PREPARATION

GENERAL

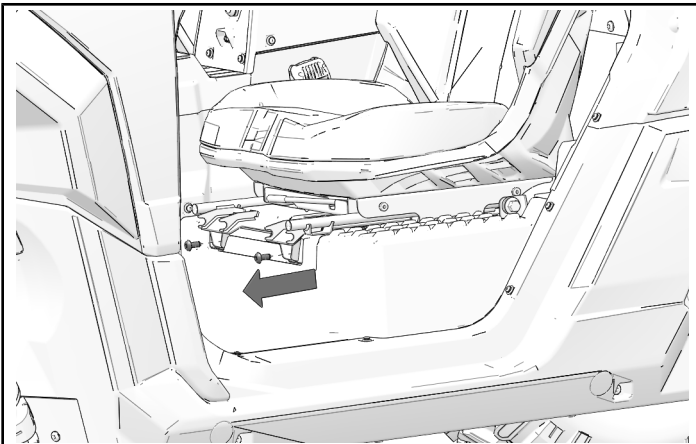
1. Park vehicle on a flat surface.
2. Shift vehicle into PARK.
3. Turn key to OFF position and remove key.

BATTERY DISCONNECTION

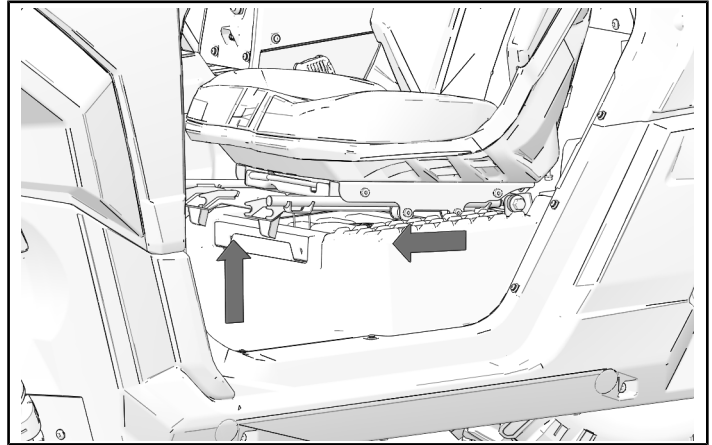
NOTICE

Doors hidden for clarity.

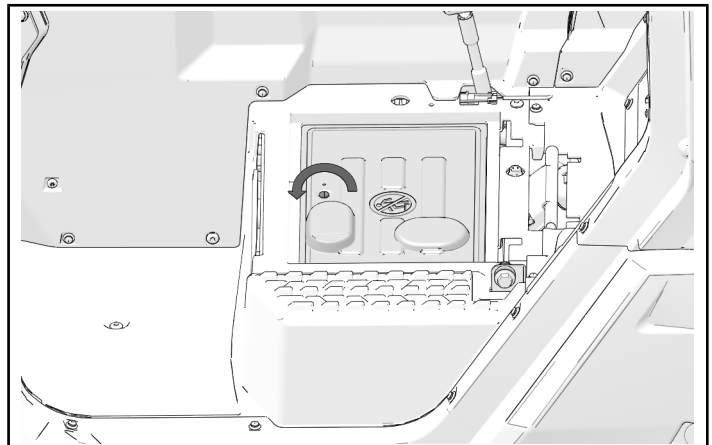
1. Remove and keep two screws from front of driver seat base.



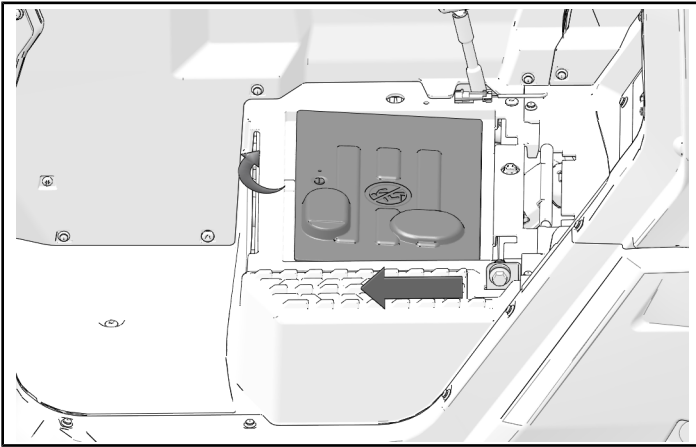
2. Lift front of seat and pull forward to remove seat.



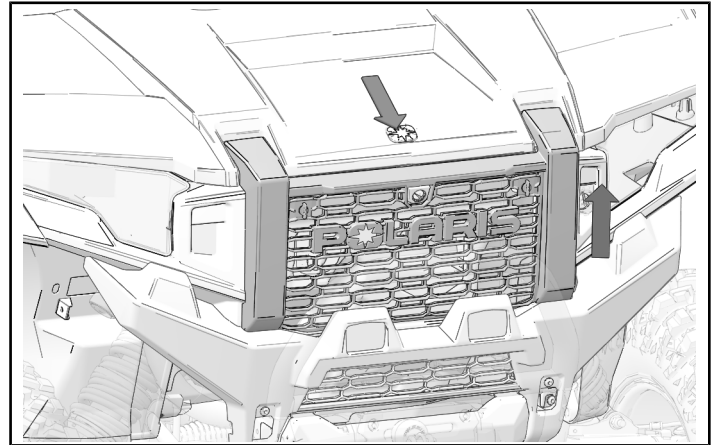
3. Turn screw to open cover.



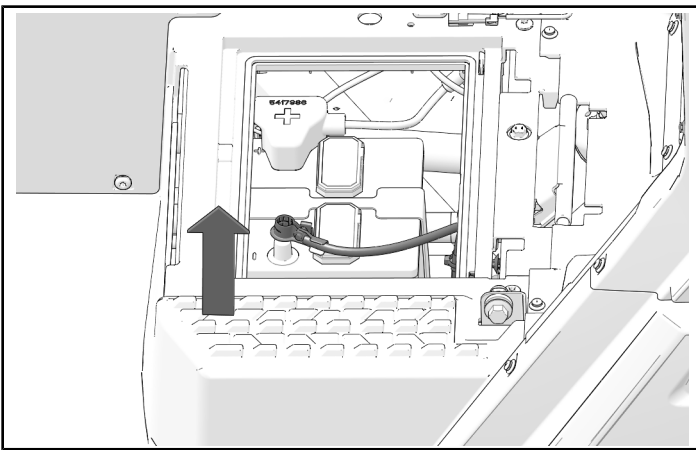
4. Lift cover and slide forward to remove.



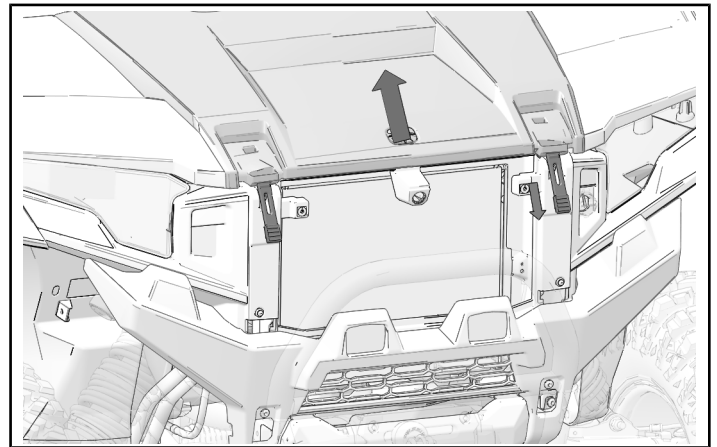
2. Pull top of grill forward and then lift up to remove grill.



5. Disconnect negative (-) cable from battery.

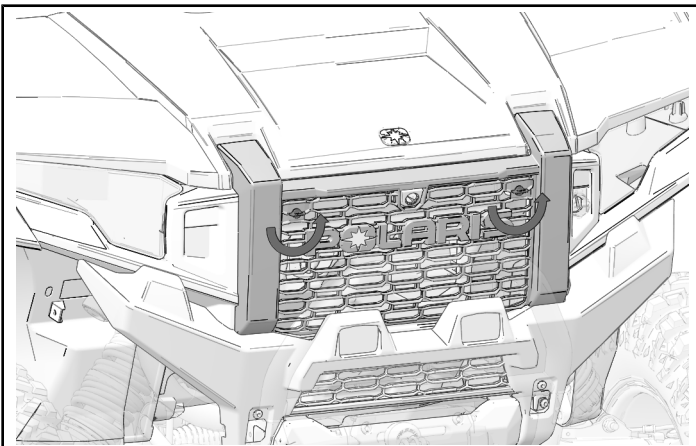


3. Pull rubber straps off hooks to release hood. Lift hood to remove.



HOOD AND GRILL REMOVAL

1. Turn each stud one-quarter turn to release grill.



RIGHT SIDE SAIL PANEL REMOVAL

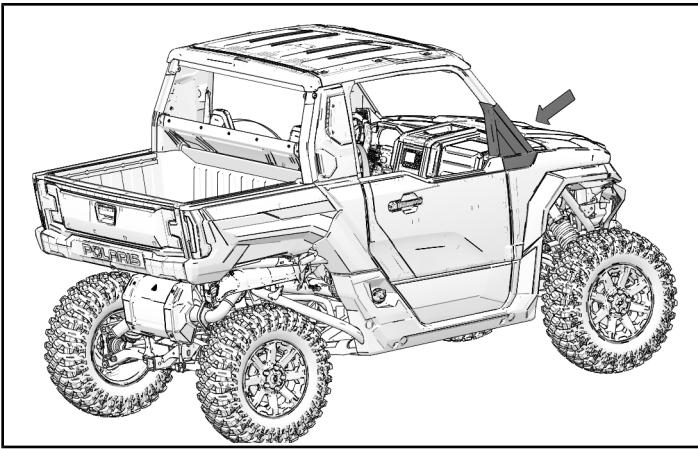
NOTICE

If vehicle is equipped with full or half door, the door must be fully opened to remove or install the outer sail panel.

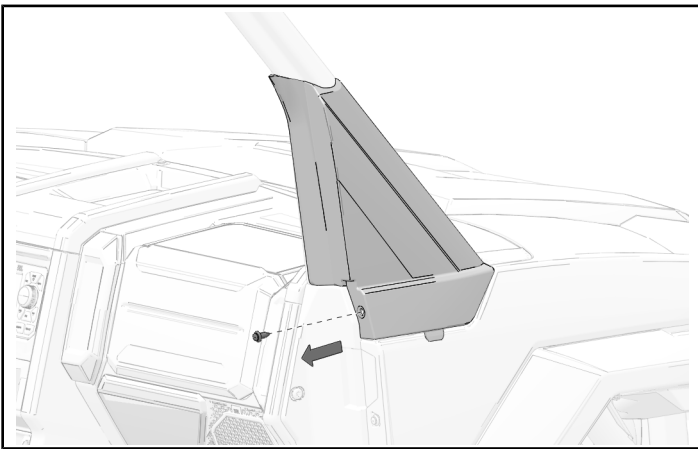
NOTICE

If vehicle is equipped with poly windshield, removal of lower mounting hardware may make removal of lower A-pillar trim easier.

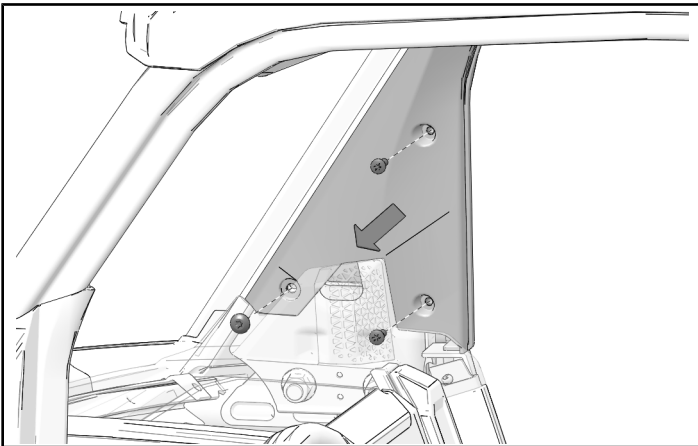
1. Locate sail panel on vehicle.



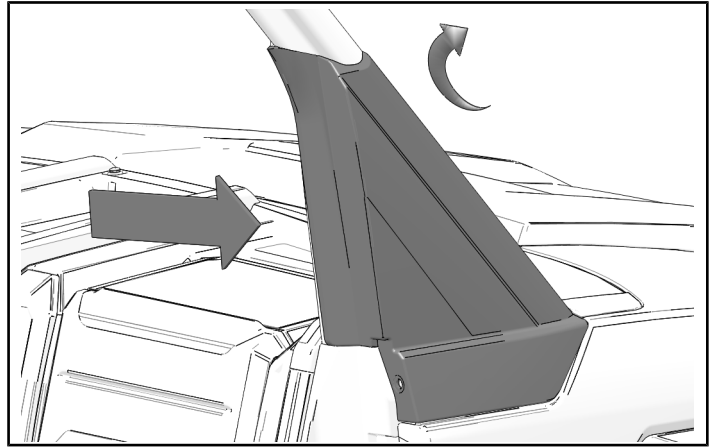
2. Remove and keep push-pin rivet from the rear of the panel.



3. Remove and keep three screws from the inner panel. Remove and keep the inner panel.



4. Pull panel outward and rotate toward the front of the vehicle to remove panel.



VEHICLES EQUIPPED WITH TIP-OUT WINDSHIELD

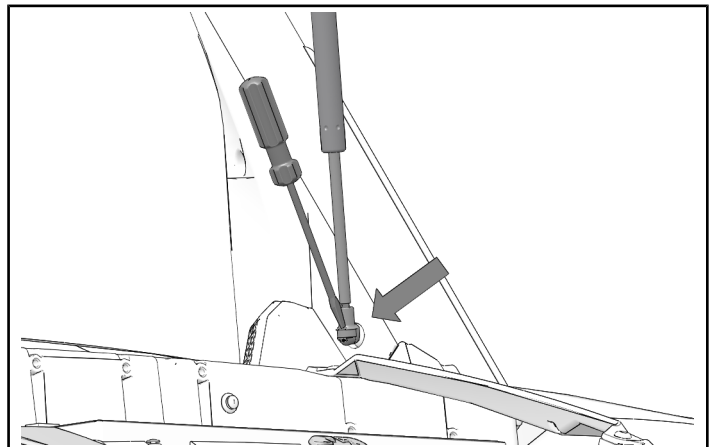
NOTICE

Left side shown; right side similar.

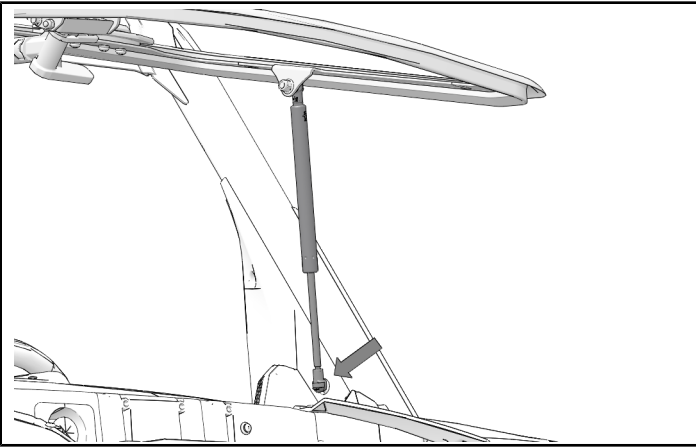
1. Open tip-out windshield. Support weight of windshield.
2. Use appropriate tool to release clip at lower end of gas spring.

CAUTION

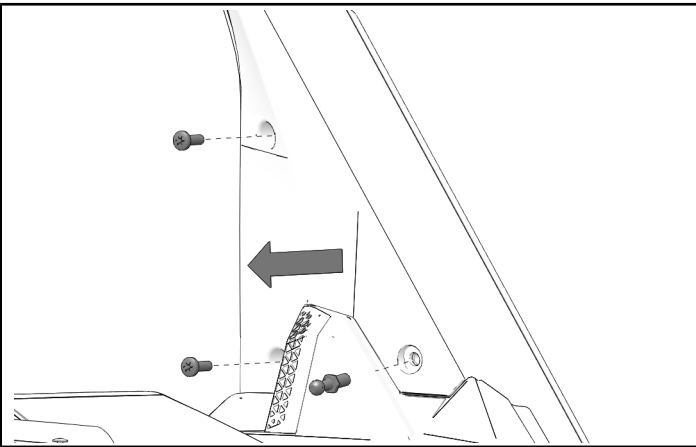
Use care when releasing the clip. Clip may spring away from fitting, and may strike objects or become lost.



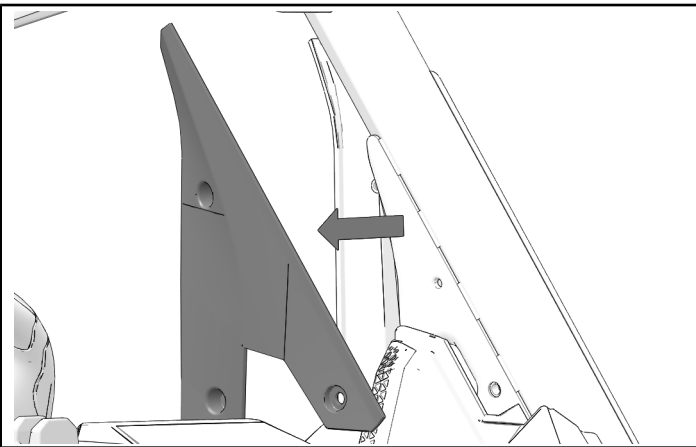
3. Disconnect bottom of gas springs.



4. Remove two screws and ball stud from lower A-pillar trim panel.

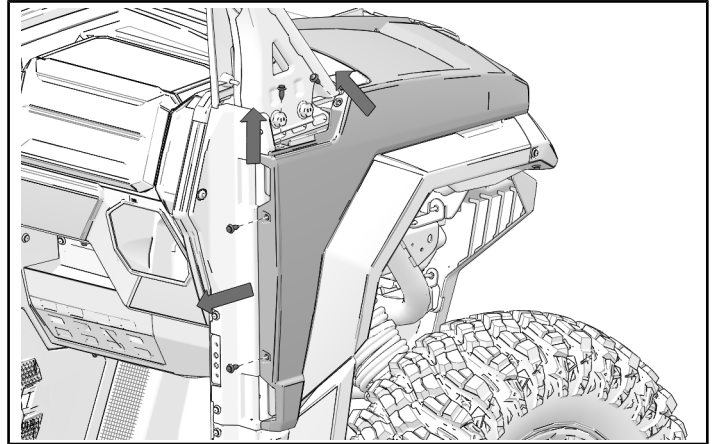


5. Pull A-pillar trim piece away from vehicle.

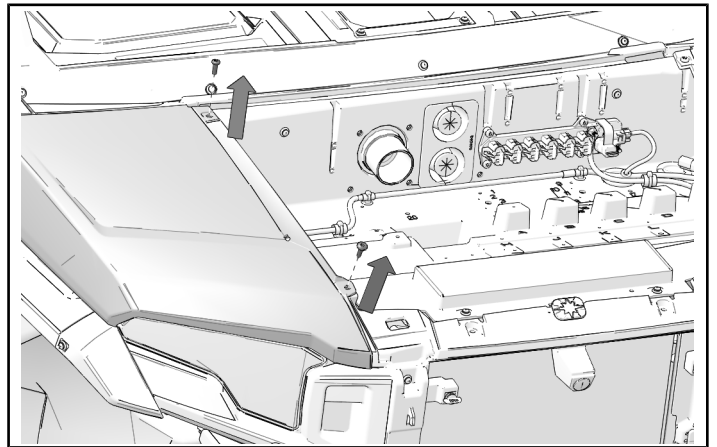


RIGHT FRONT FENDER REMOVAL

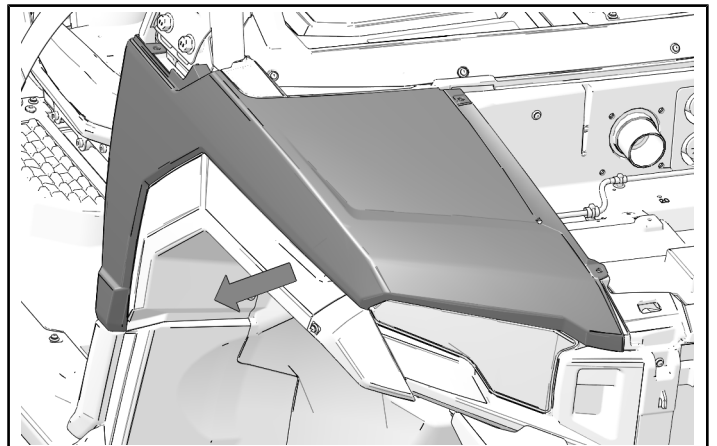
1. Remove and keep four push pin rivets from front fender.



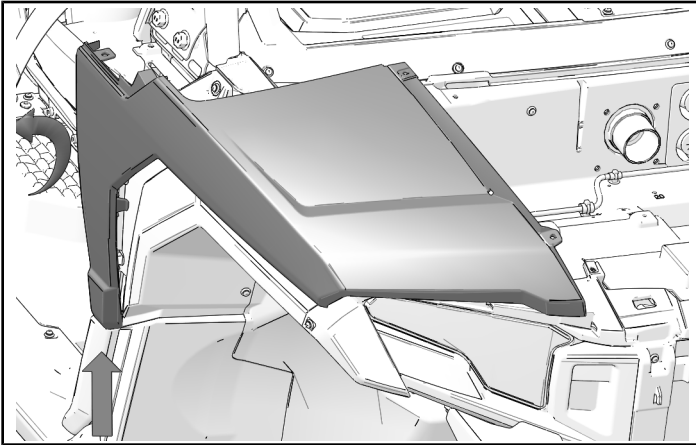
2. Remove and keep two screws from front fender.



3. Pull fender outward to disengage upper tabs.



4. Rotate fender and lift to disengage lower tab and remove fender.



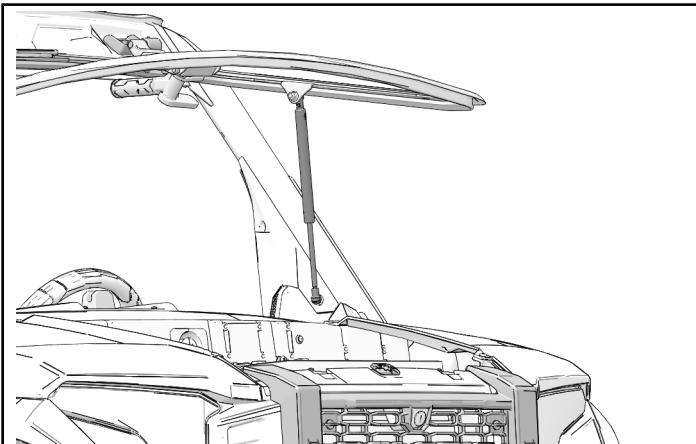
CENTER DASH PANEL REMOVAL

VEHICLES WITH TIP-OUT WINDSHIELD

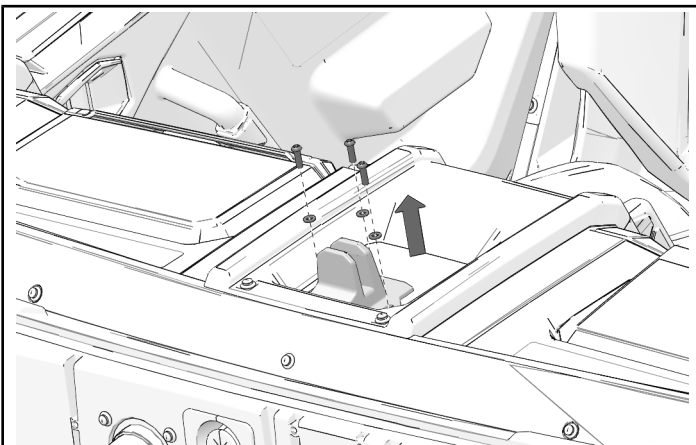
NOTICE

For vehicles without tip-out windshield, proceed to Panel Removal.

1. Open tip-out windshield.

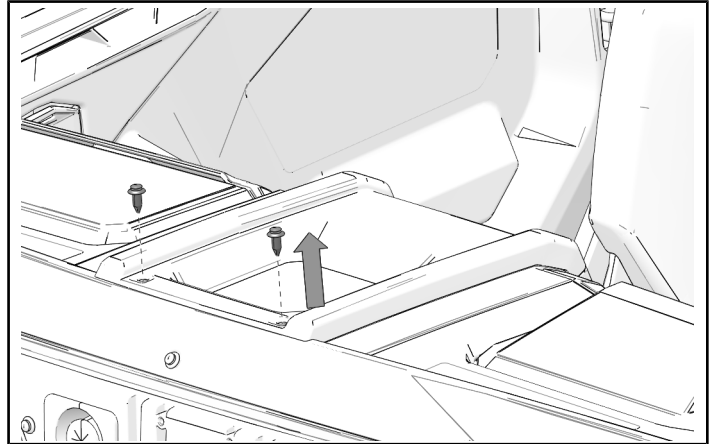


2. Remove and keep three screws and washers. Remove and keep windshield base.

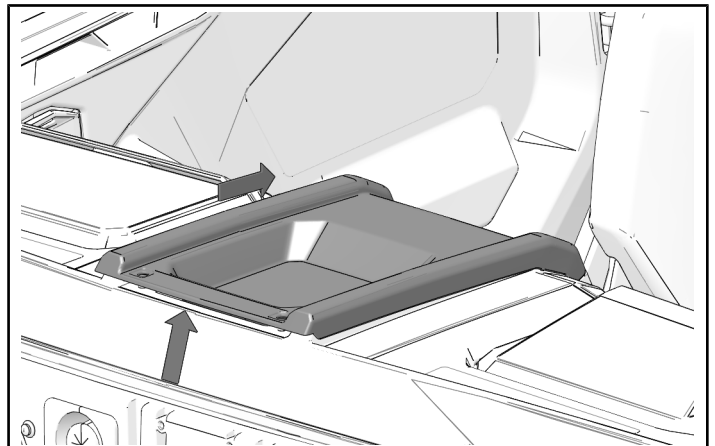


PANEL REMOVAL

1. Remove and keep two push-pin rivets from center dash panel.



2. Remove and keep panel by lifting front edge and moving backward.



HEAD UNIT REMOVAL

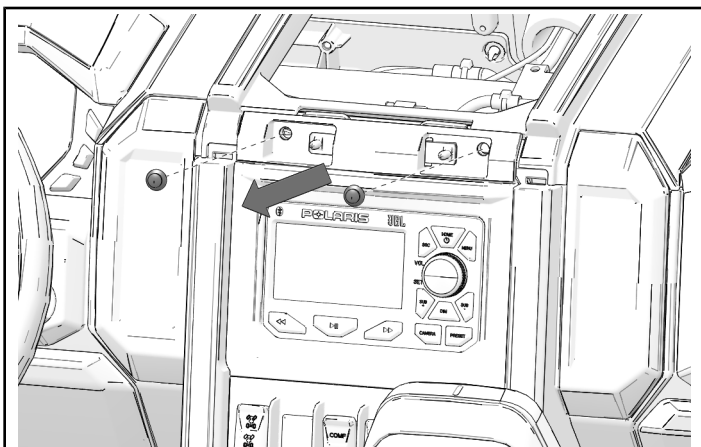
NOTICE

Vehicles without audio system will have a storage bin in place of head unit. Storage bin is removed in a similar manner to head unit.

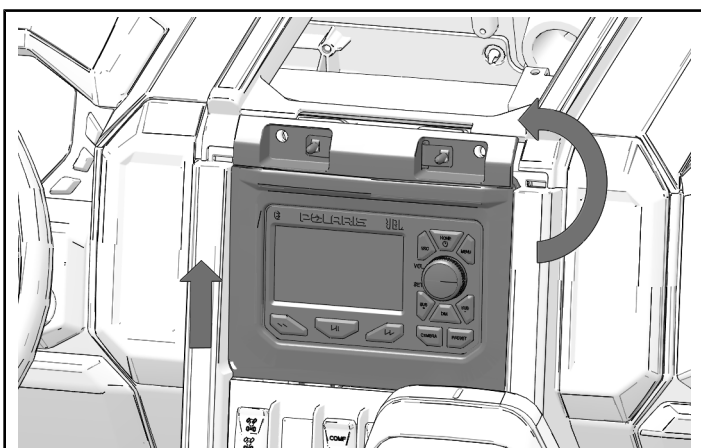
NOTICE

Base audio head unit removal shown. Ride Command® display removal similar.

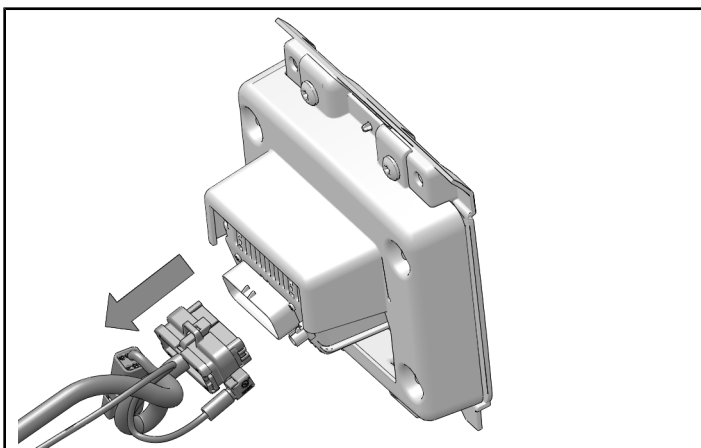
1. Remove and keep two push-pin rivets from top of the head unit.



2. Pull top of head unit away from dash and lift head unit up to remove from dash.

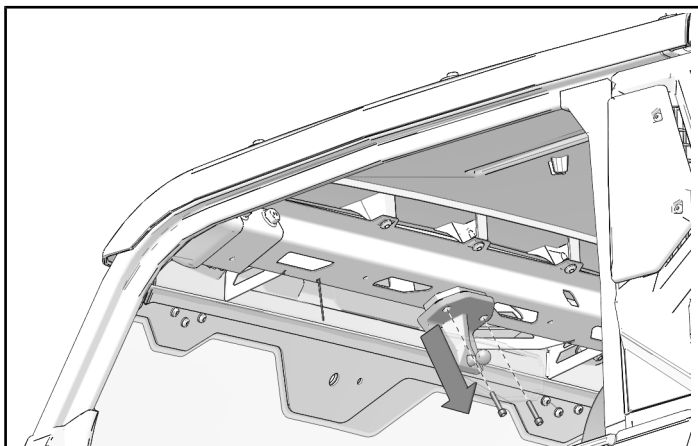


3. Disconnect wiring harness and antenna from head unit. Remove head unit.

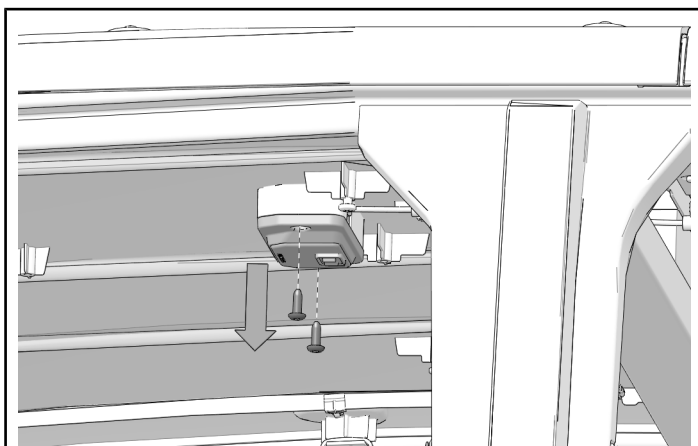


FRONT ROOF LINER REMOVAL

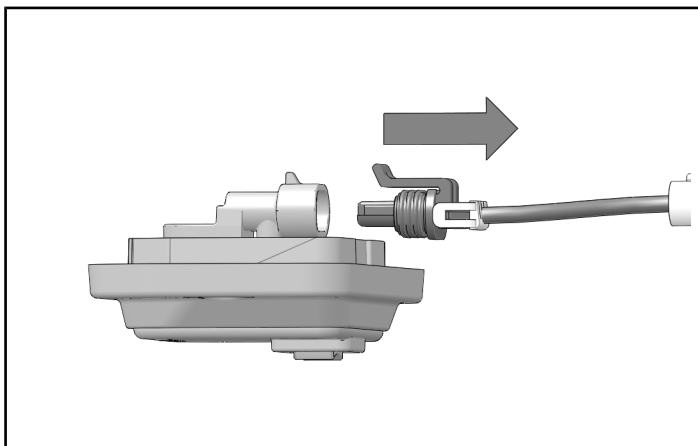
1. Remove and save two screws and rearview mirror assembly (if equipped).



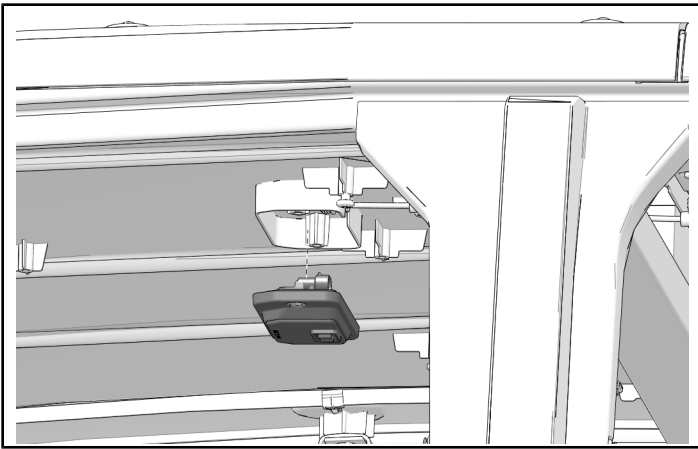
2. Remove and keep two screws to uninstall dome light.



3. Disconnect dome light from wiring harness.



4. Remove and keep dome light.



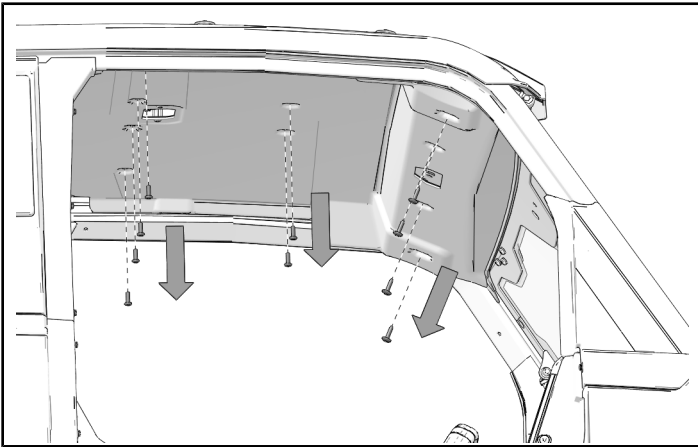
5. Remove and keep six screws from top of roof liner and four screws from front of roof liner.

NOTICE

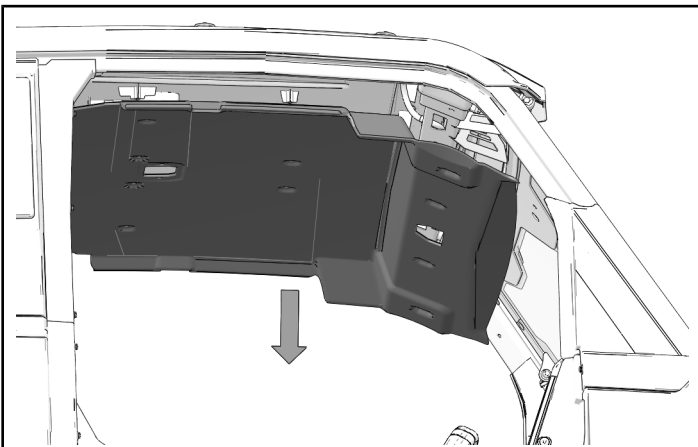
Vehicles that are not equipped with rearview mirror will have a fifth screw at front of roof liner.

NOTICE

Vehicles equipped with 2-passenger cab will have three additional screws near rear of roof liner.



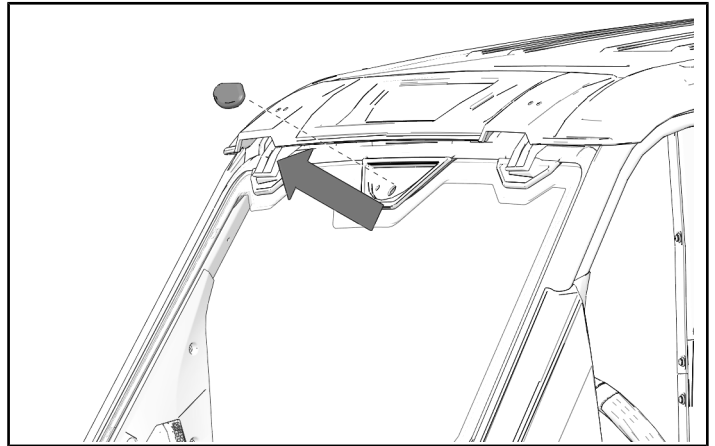
6. Remove and keep front roof liner.



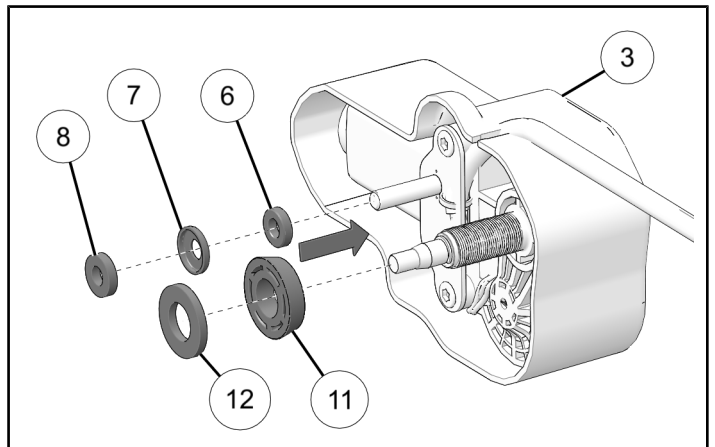
ACCESSORY INSTALLATION

WIPER INSTALLATION

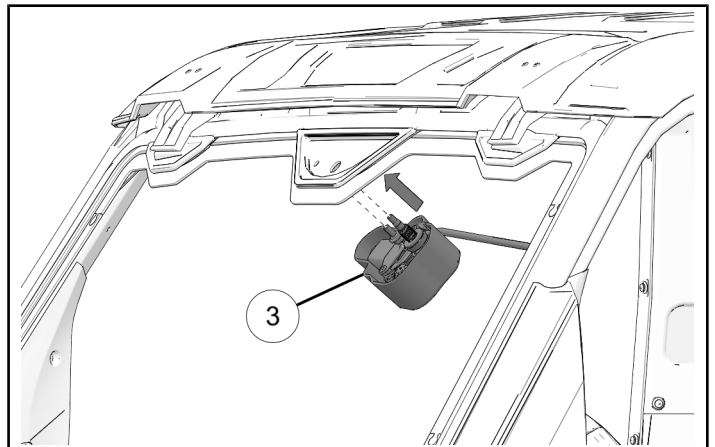
1. Remove cover from windshield.



2. Install bushing ⑥, cap washer ⑦, and flat washer ⑧ on anti-rotation shaft of motor ③. Note orientation of cap washer. Install retainer ⑪ and washer ⑫ on wiper motor shaft.



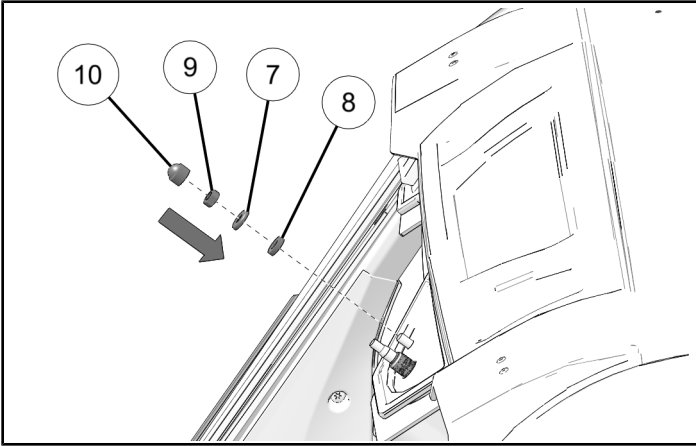
3. Install motor ③ to windshield.



4. Install flat washer ⑧, cap washer ⑦, nut ⑨, and nut cap ⑩ on anti-rotation shaft. Torque nut to specification.

TORQUE

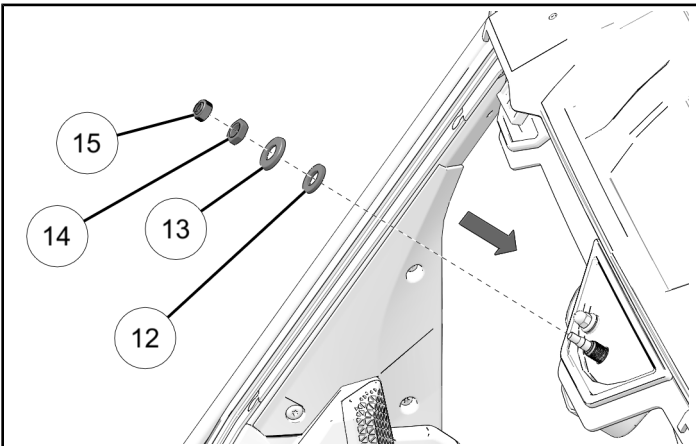
Nut ⑨:
66 in-lbs (7.5 N·m)



5. Install washer ⑫, washer cap ⑬, nut ⑭, and cap ⑮ on wiper motor shaft. Torque nut to specification.

TORQUE

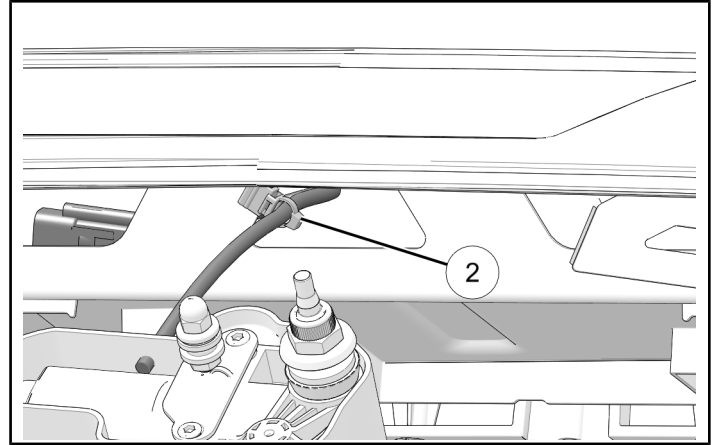
Nut ⑭:
35 in-lbs (4 N·m)



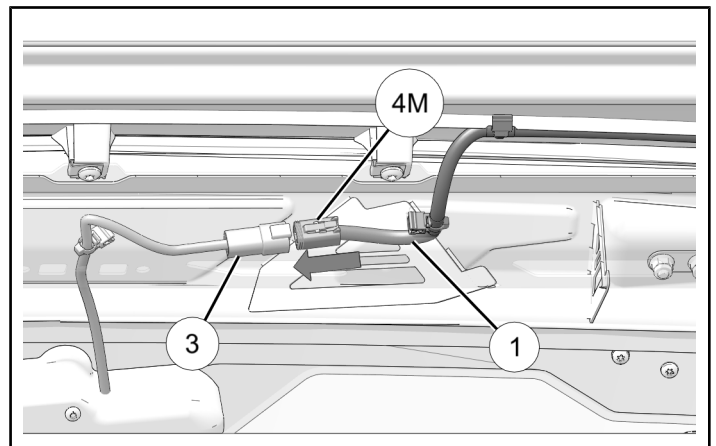
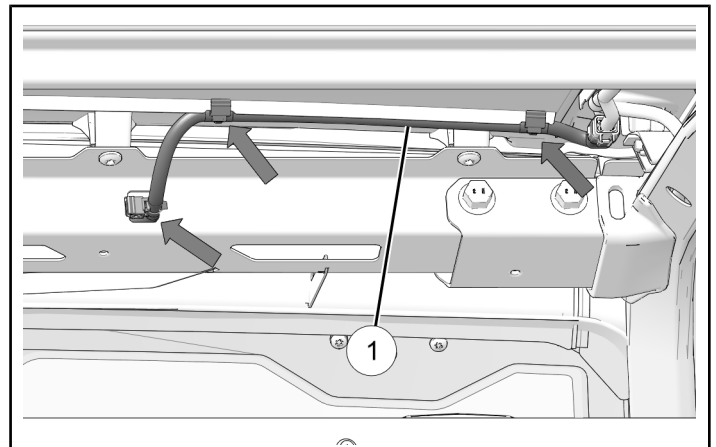
6. Route motor harness into ROPS bracket. Attach edge clip ② to ROPS.

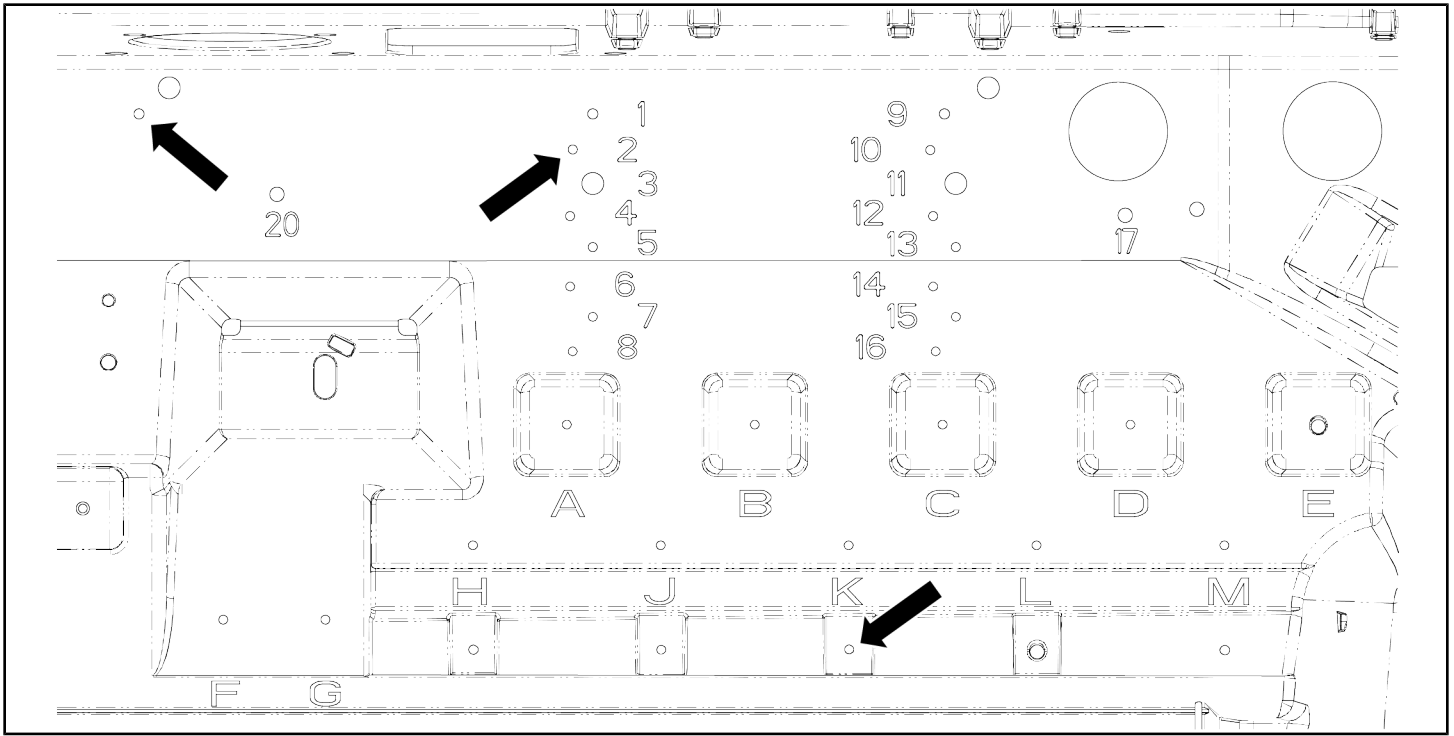
NOTICE

Visor plate and windshield hidden for clarity.



7. Connect extension harness ① to ROPS harness. Route harness along roof and into ROPS bracket. Clip harness to roof and ROPS at points shown. Insert connector from extension harness ① into connector on motor harness ③ inside the ROPS bracket.





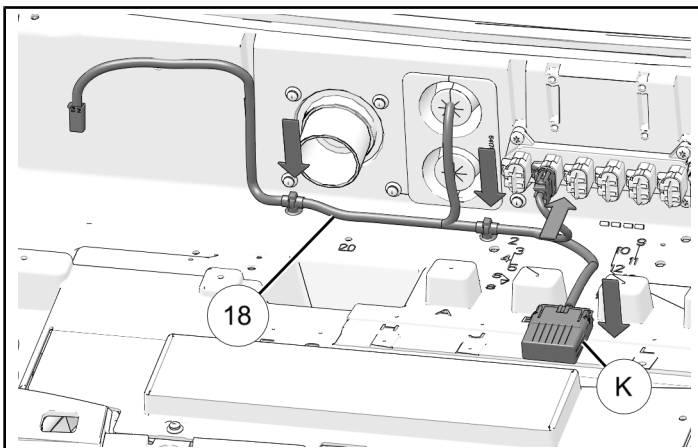
WASHER INSTALLATION

1. Drill three holes in underhood liner at locations shown.

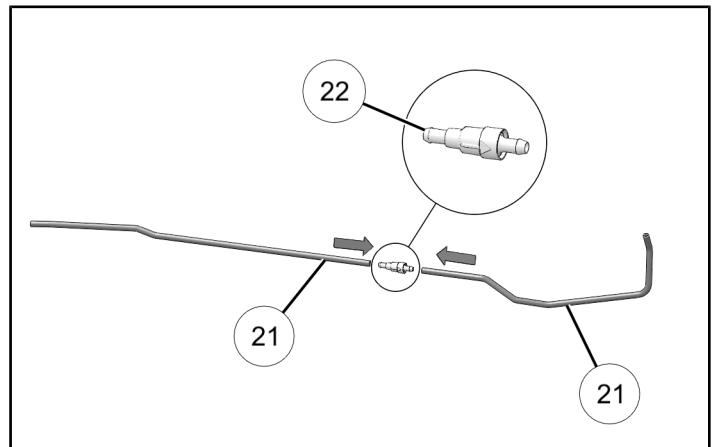
MEASUREMENT

Drill Bit: 1/4 in (6 mm)

2. Install washer harness (18). Route switch connector and ROPS harness connector through grommet at rear of underhood liner. Push fuse block clip into hole at location (K). Push harness clips into remaining holes drilled in Step 1. Plug harness into Polaris Pulse® bar.



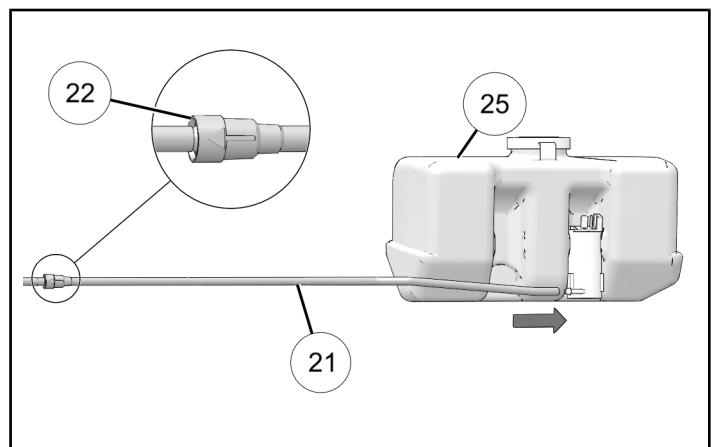
3. Push hose (21) onto each end of check valve (22).



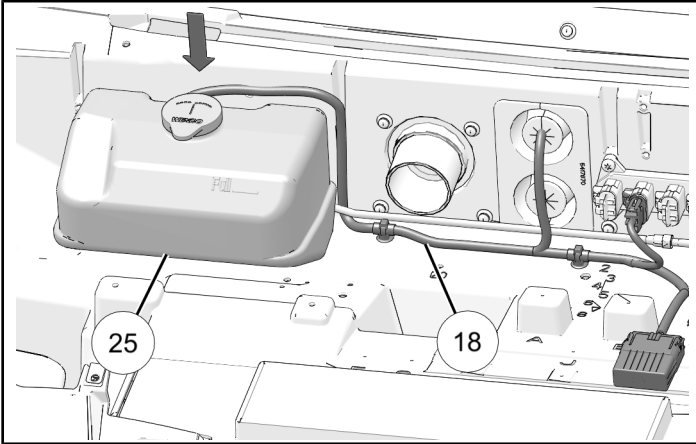
4. Push hose (21) onto pump of bottle assembly (25). Note orientation of check valve (22).

TIP

Arrow indicates direction of flow.



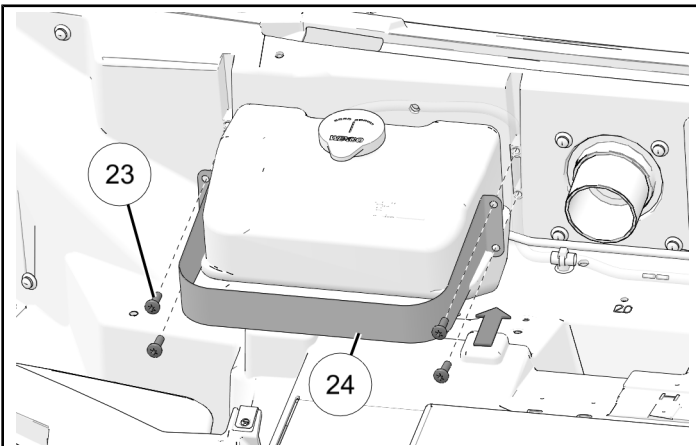
5. Plug harness ⑱ into pump. Set washer bottle ⑳ into position. Route hose along back of the underhood liner.



6. Install bracket ㉔ and four screws ㉓. Torque screws to specification.

TORQUE

Screws ㉓:
53 in-lbs (6 N·m)



7. Drill hole in left-side fender to mount nozzle.

MEASUREMENT

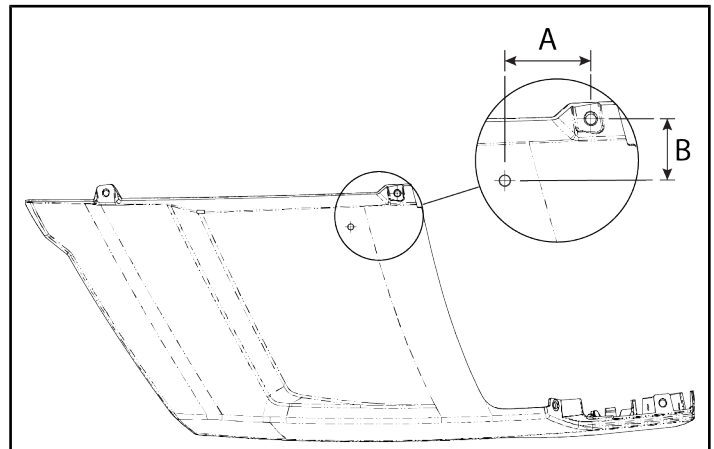
Dimension A: 2 5/8 in (67 mm)

MEASUREMENT

Dimension B: 1 7/8 in (48 mm)

MEASUREMENT

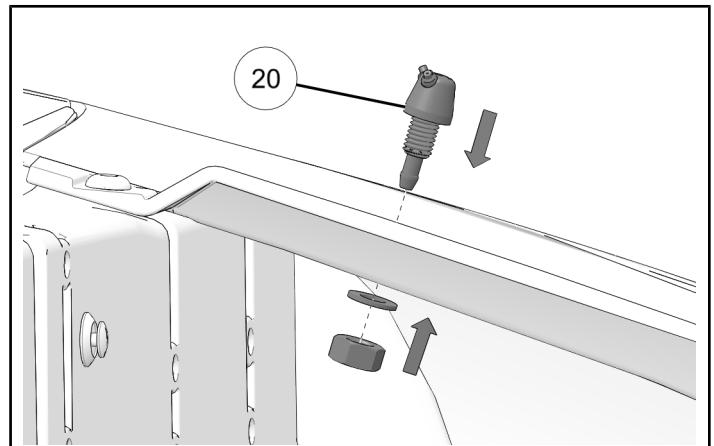
Drill Bit Size: 3/8 in (9 mm)



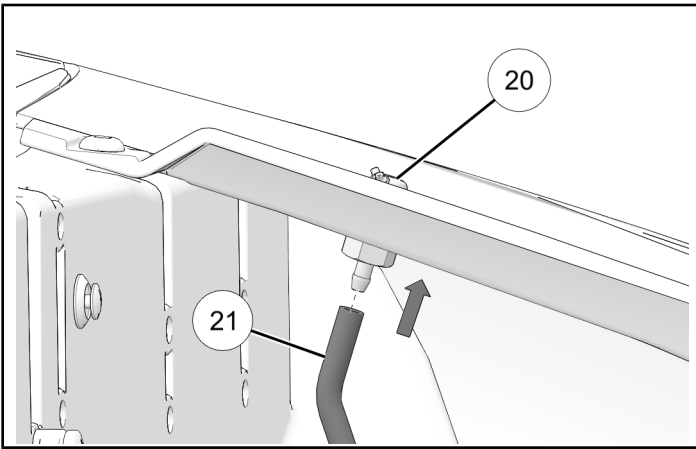
8. Install nozzle ㉐ in drilled hole. Make sure nozzle jets point toward windshield. Tighten nut to specification.

TORQUE

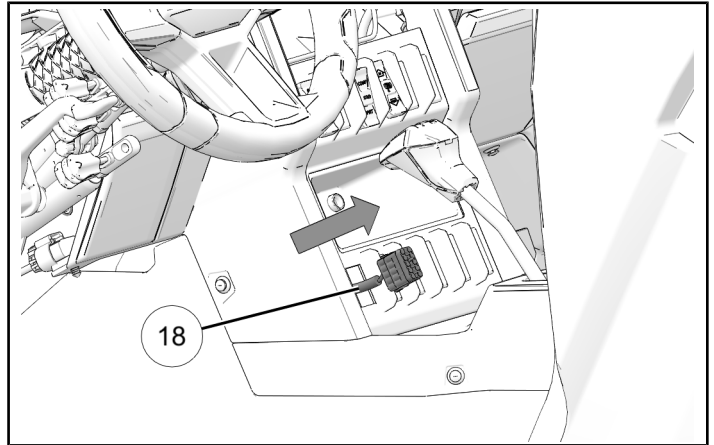
Nut:
6 in-lbs (0.7 N·m)



9. Push hose ⑳ onto nozzle ㉑.



2. Pass harness ⑱ switch connector through opening.

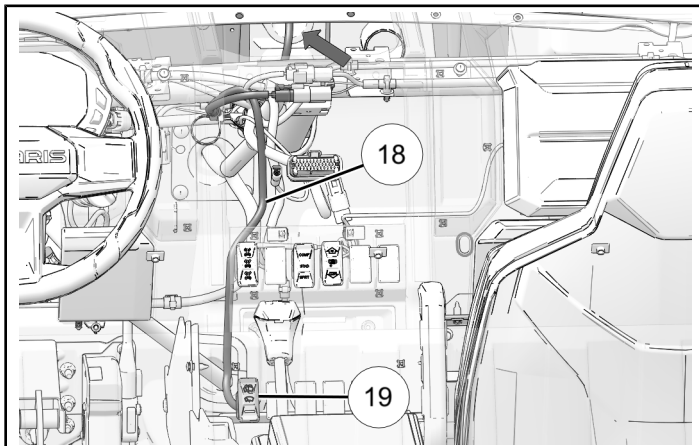


SWITCH INSTALLATION

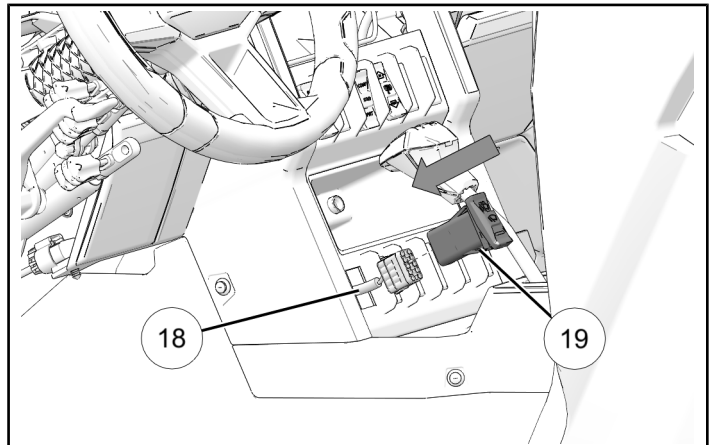
Overall routing of wiring harness ⑱ under dashboard. Note location of grommet to underhood liner (arrow) and washer switch ⑲.

NOTICE

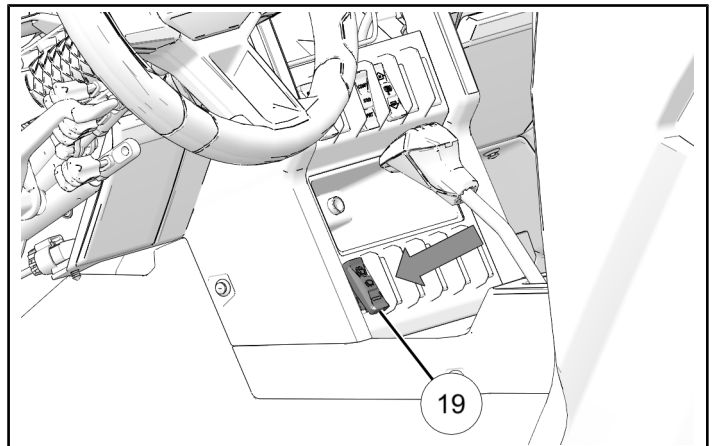
Dash hidden for clarity.



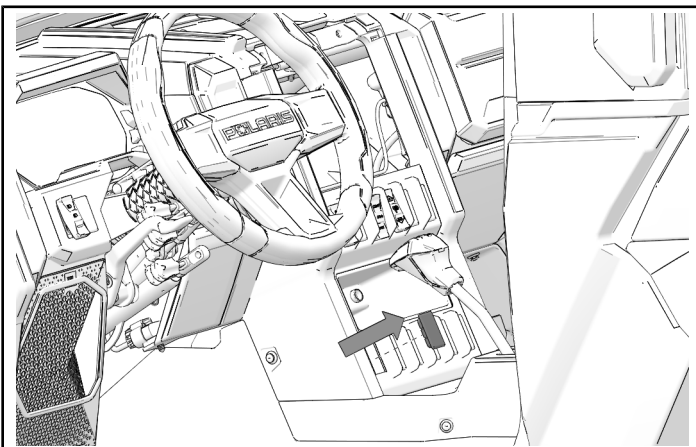
3. Connect switch ⑲ to harness ⑱.



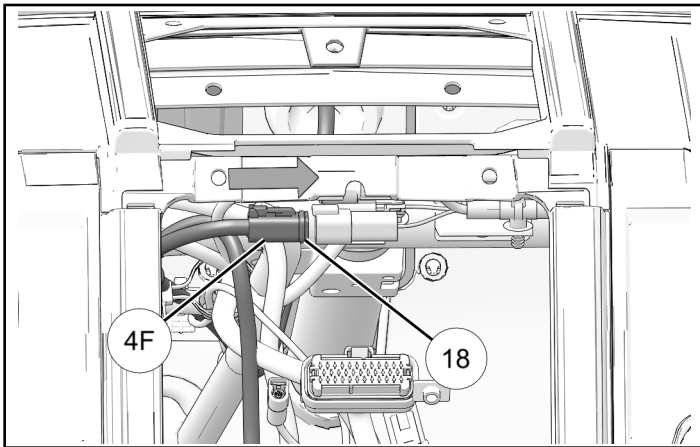
4. Install switch ⑲. Push switch into opening until switch clicks into place.



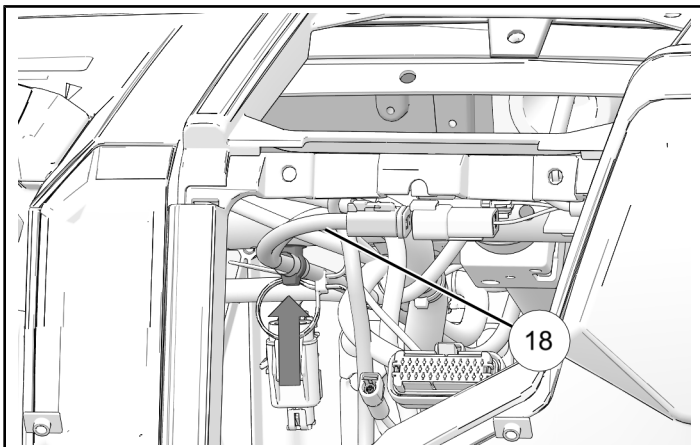
1. Remove switch cover from dash.



5. Connect harness ⑱ to ROPS harness.



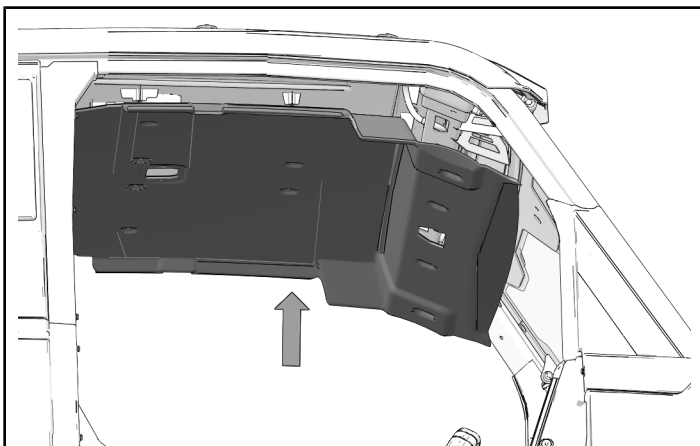
6. Install harness ⑱ clip into frame tube.



VEHICLE REASSEMBLY

FRONT ROOF LINER INSTALLATION

1. Install front roof liner.



2. Install six screws in top of roof liner and four screws in front of roof liner. Torque screws to specification.

NOTICE

Vehicles that are not equipped with rearview mirror will have a fifth screw at front of roof liner.

NOTICE

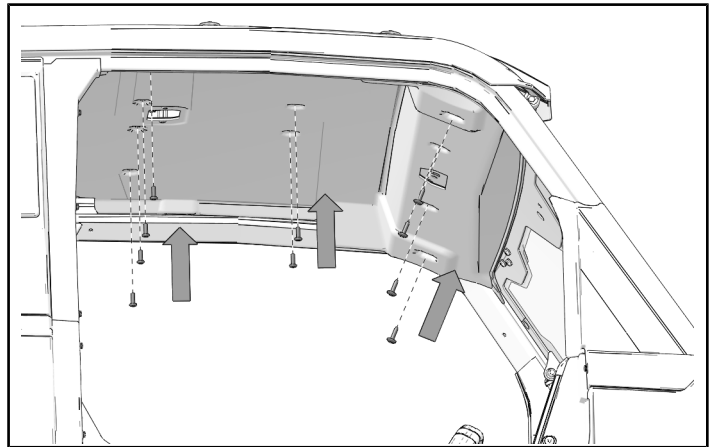
Vehicles equipped with 2-passenger cab will have three additional screws near rear of roof liner.

TORQUE

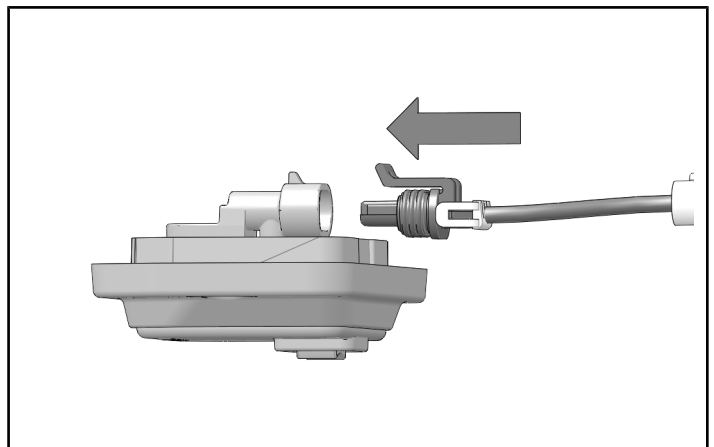
Top Roof Liner Screws:
27 in-lbs (3 N·m)

TORQUE

Front Roof Liner Screws:
44 in-lbs (5 N·m)



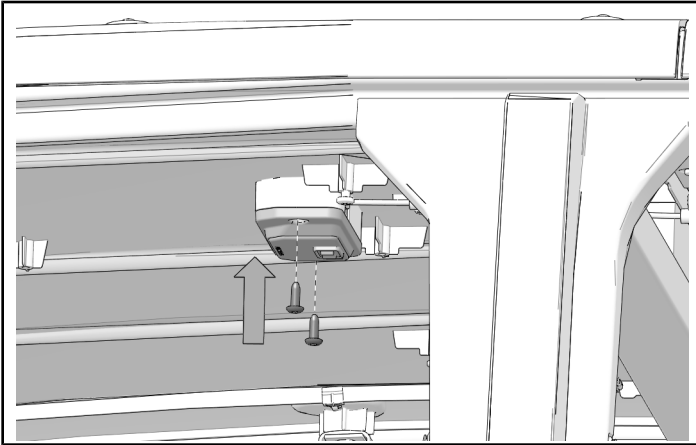
3. Connect wiring harness to dome light.



4. Install dome light with two screws. Torque screws to specification.

TORQUE

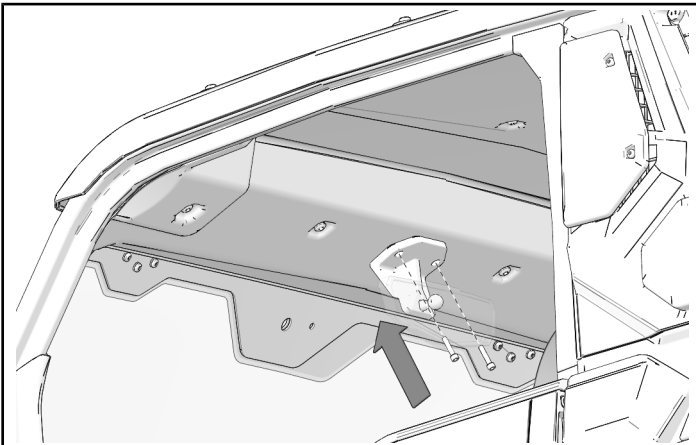
Dome Light Screws:
22 in-lbs (2.5 N·m)



5. Install rearview mirror assembly with two screws. Torque screws to specification.

TORQUE

Mirror Screws:
31 in-lbs (3.5 N·m)

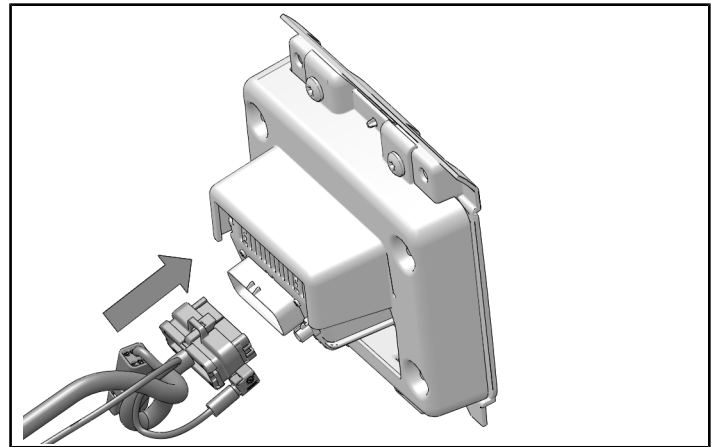


HEAD UNIT INSTALLATION

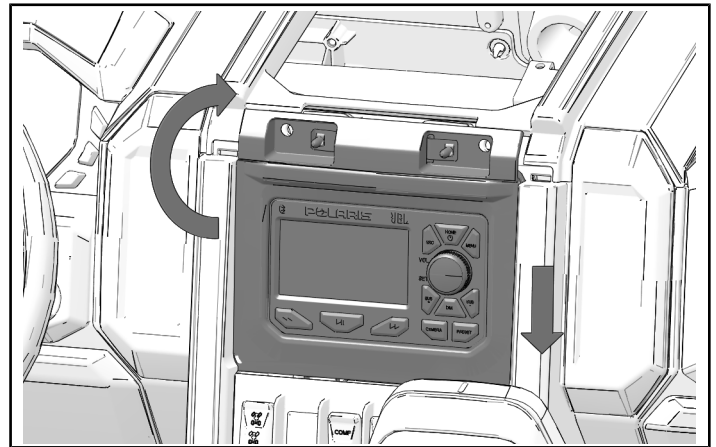
NOTICE

Base audio head unit installation shown. Ride Command® display installation similar.

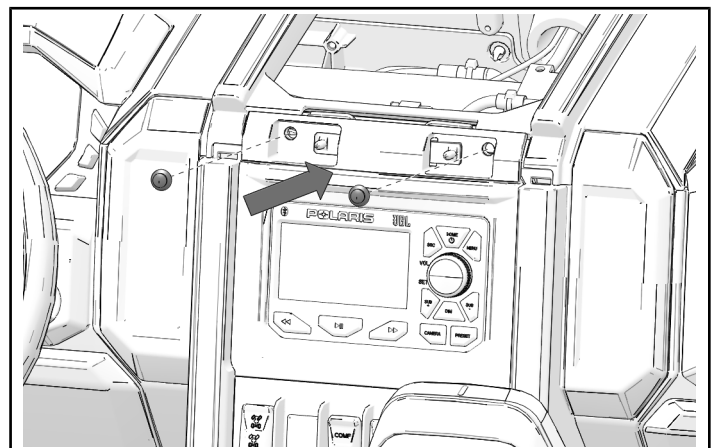
1. Attach wiring harness and antenna to head unit.



2. Put bottom of head unit into position. Push top of head unit into dash.

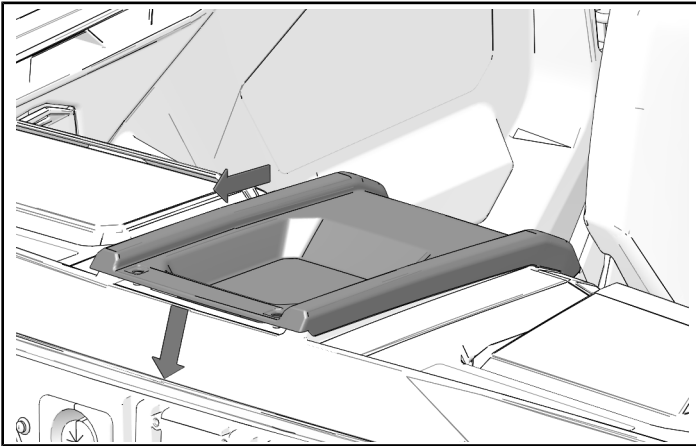


3. Install two push-pin rivets into top of head unit.

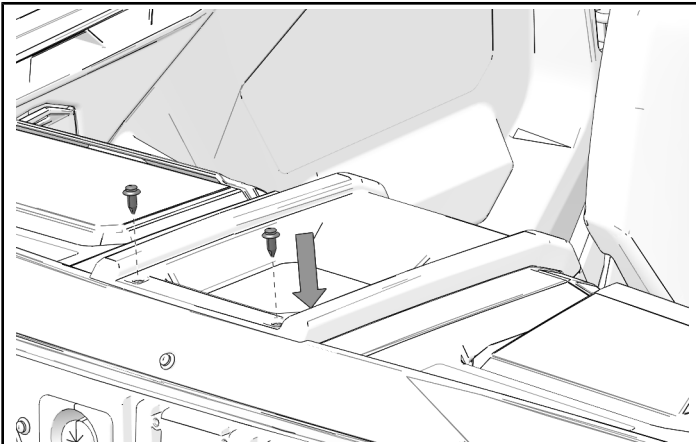


CENTER DASH PANEL INSTALLATION

1. Install center panel. Install rear tabs into dash, then lower into position.



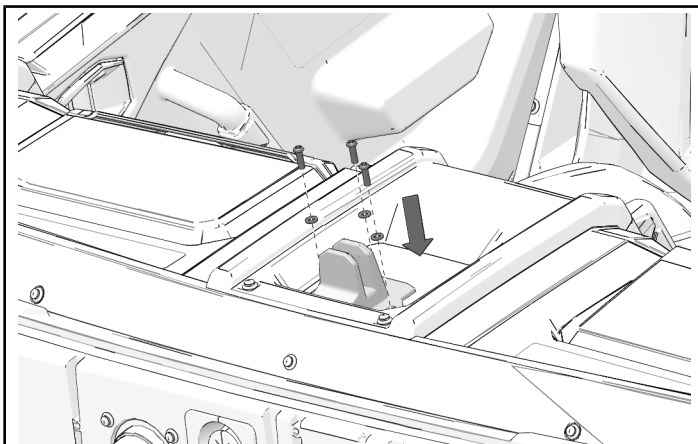
2. Install two push-pin rivets.



3. If vehicle is equipped with tip-out windshield. Install base, three screws, and washers. Torque screws to specification.

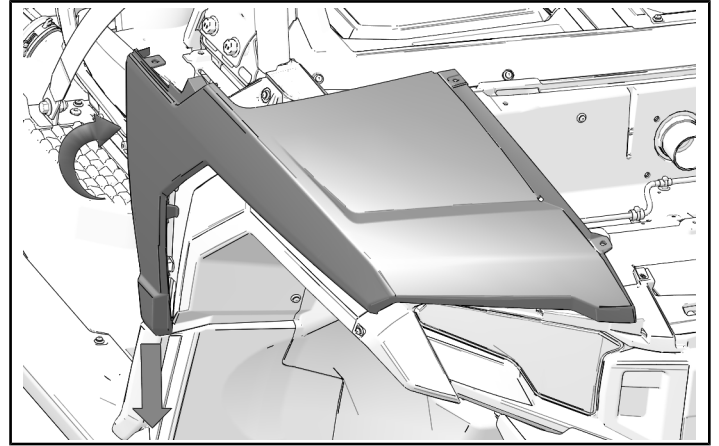
TORQUE

Base Screws:
89 in-lbs (10 N·m)

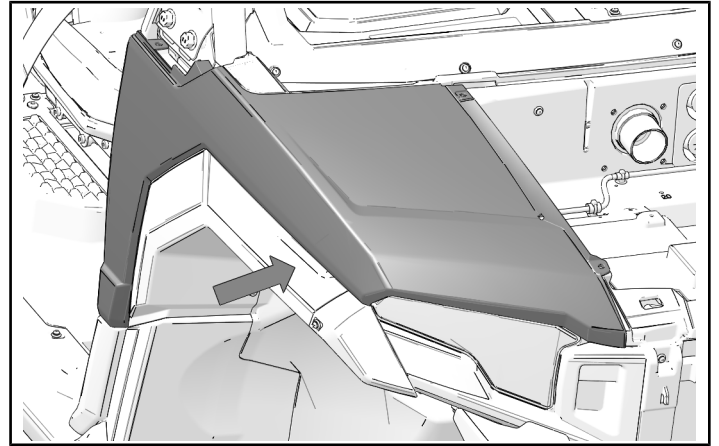


RIGHT FRONT FENDER INSTALLATION

1. Insert lower tab into opening. Rotate top of fender toward vehicle.



2. Push fender inward to engage upper tabs.



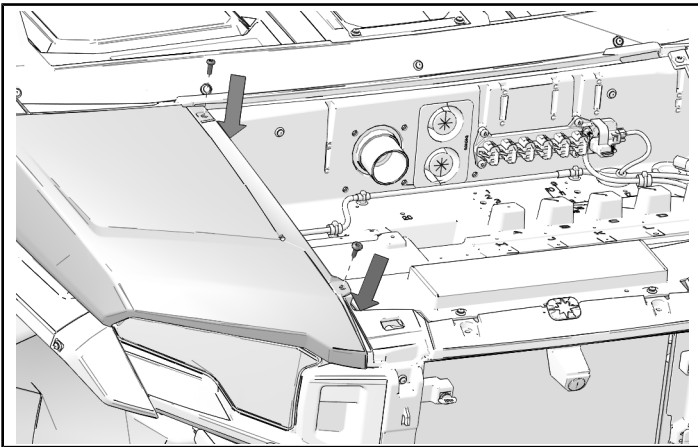
3. Install two previously removed screws. Torque to specification

TORQUE

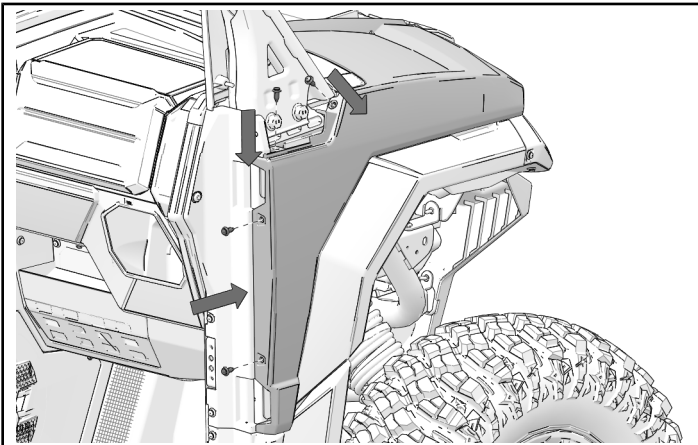
#14 Fender Screw:
30 in-lbs (3.4 N·m)

TORQUE

M6 Fender Screw:
40 in-lbs (4.5 N·m)



4. Install four push pin rivets.

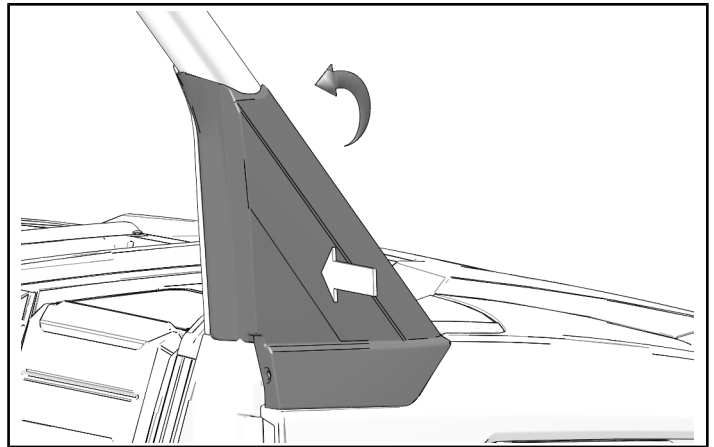


RIGHT SIDE SAIL PANEL INSTALLATION

1. Insert front edge of sail panel. Push panel inward and rotate toward the rear to install panel.

NOTICE

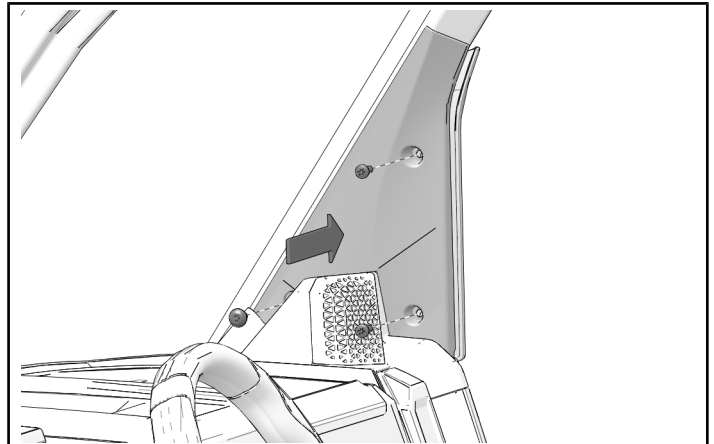
Right side shown; left side similar.



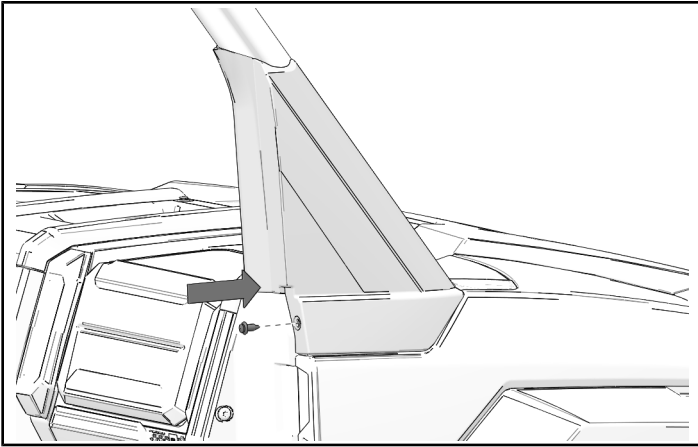
2. Install inner panel and three screws. Tighten screws to specification.

TORQUE

Screws:
22 in-lbs (2.5 N·m)



3. Install push-pin rivet.

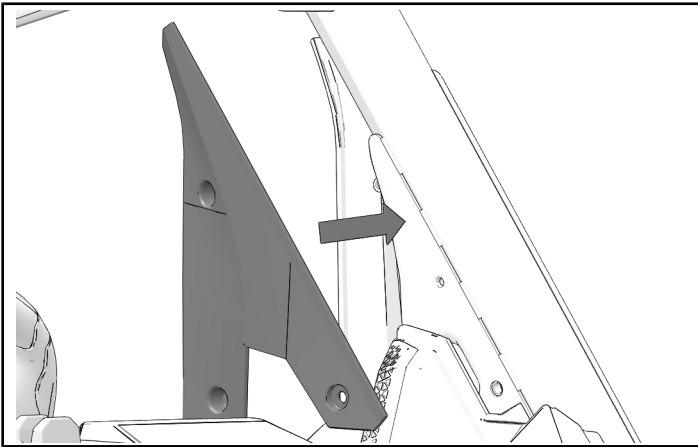


VEHICLES EQUIPPED WITH TIP-OUT WINDSHIELD

NOTICE

Left side shown; right side similar.

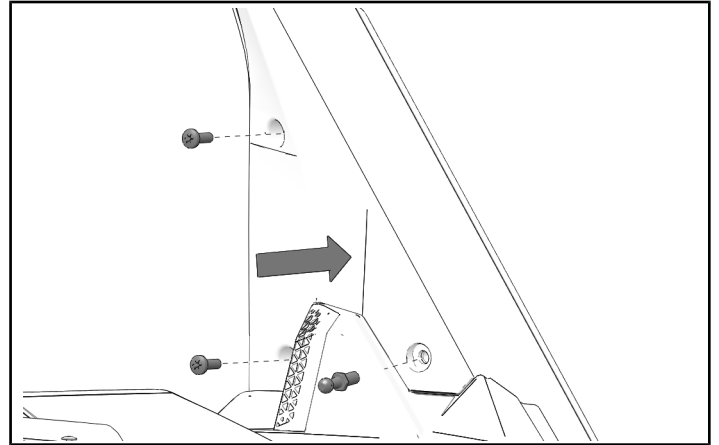
1. Put lower A-pillar trim in position at base of A-pillar.



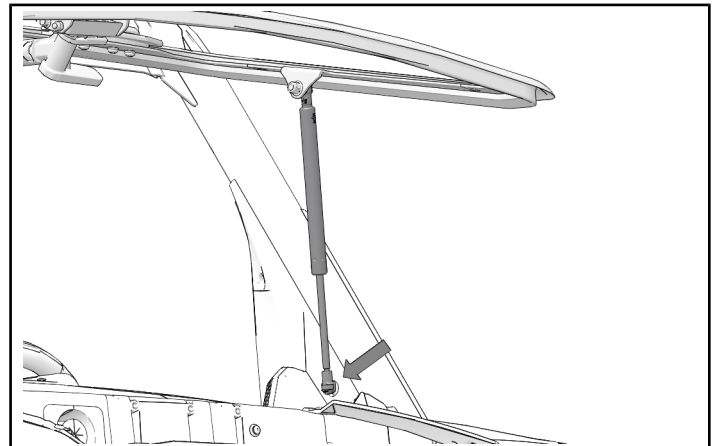
2. Install two screws and ball stud. Torque to specification.

TORQUE

Lower A-Pillar Trim Screws:
22 in-lbs (2.5 N·m)



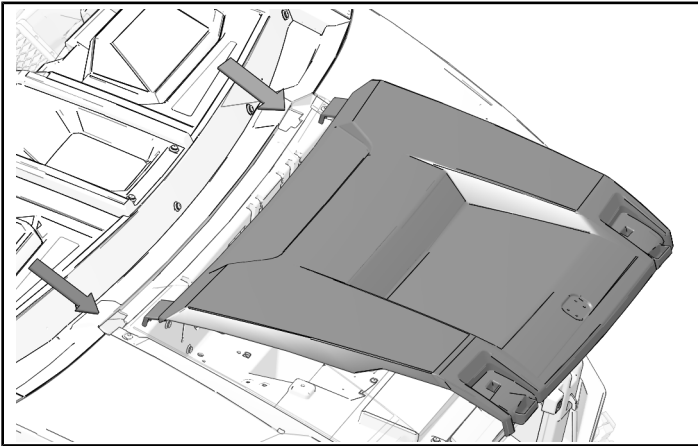
3. Return clip at bottom of gas spring to engaged position. Connect bottom of gas springs.



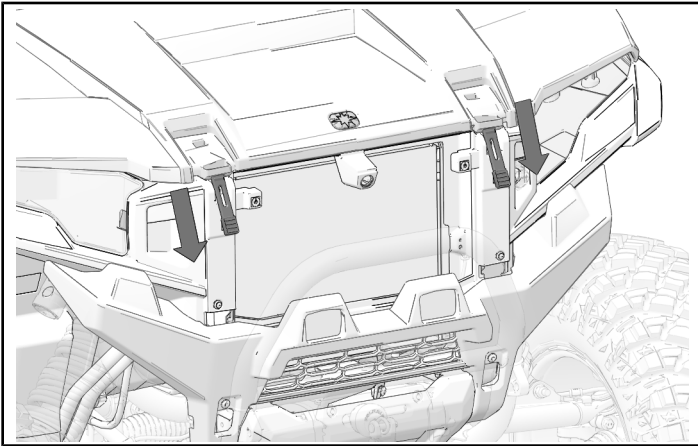
4. Remove windshield support and close tip-out windshield.

HOOD AND GRILL INSTALLATION

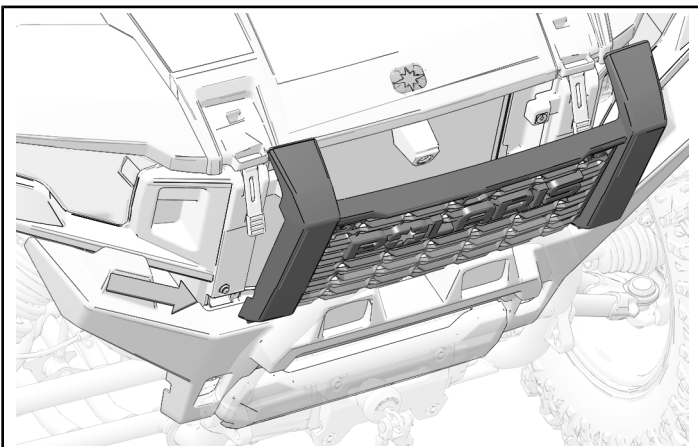
1. Put tabs on hood through openings in underhood liner. Then lower hood into position.



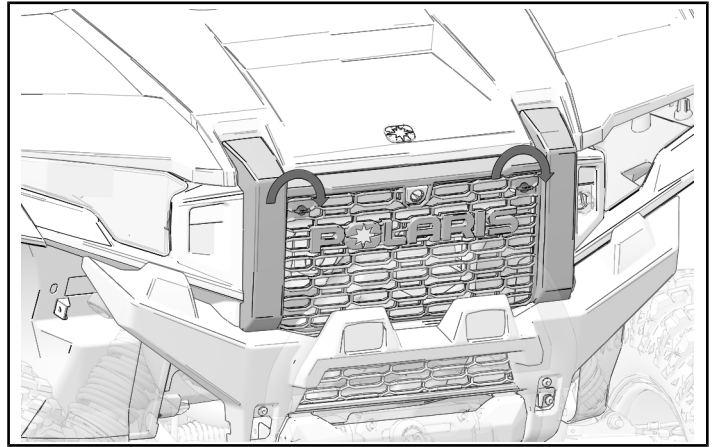
2. Pull rubber straps down over hooks to secure hood.



3. Put tabs on grill through openings in front fascia. Push top of grill into correct position.

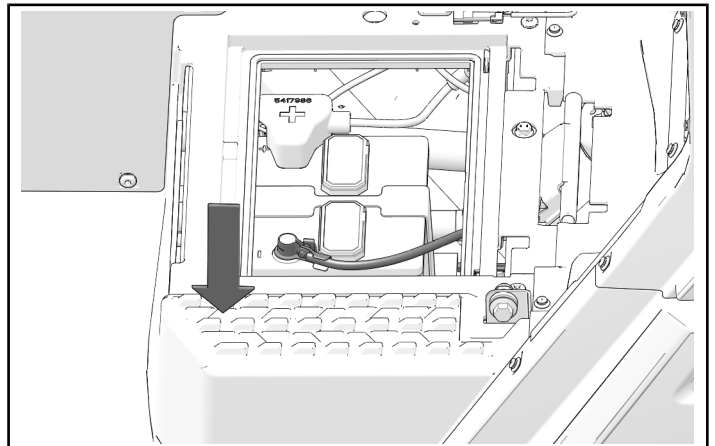


4. Push each stud in and turn one-quarter turn clockwise to attach grill.

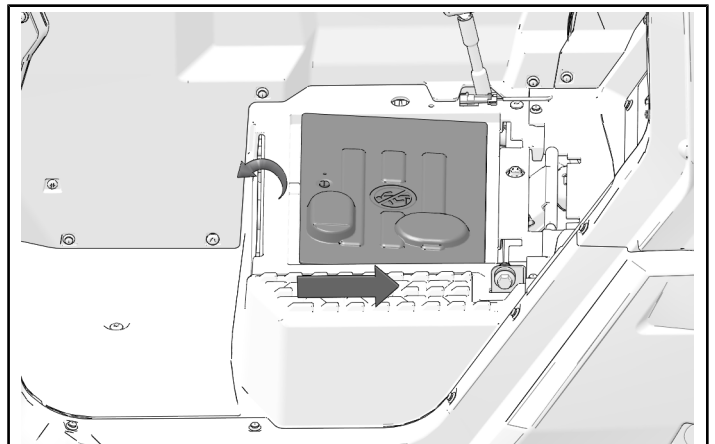


CONNECT BATTERY

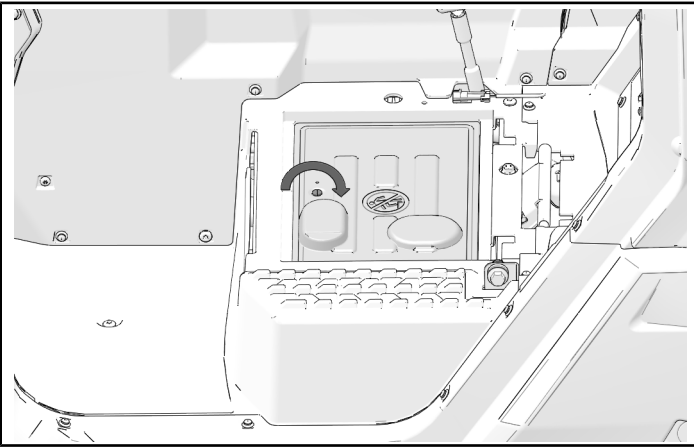
1. Connect negative cable to battery.



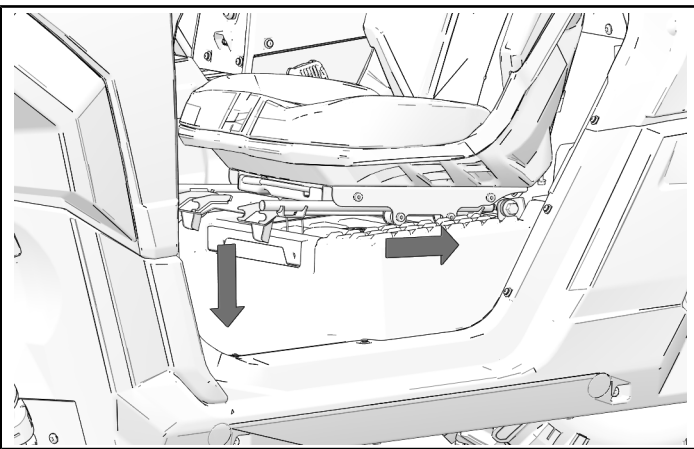
2. Push battery cover rearward and lower into place.



3. Turn screw to close cover.



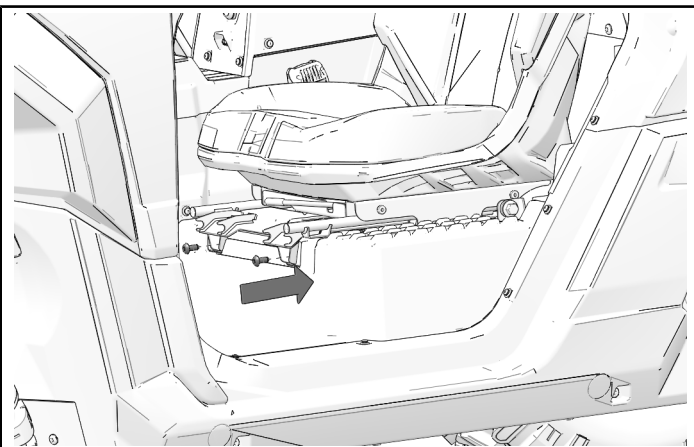
4. Push rearward to engage seat and lower front of seat into place.



5. Install two kept screws at front of seat base. Torque screws to specification.

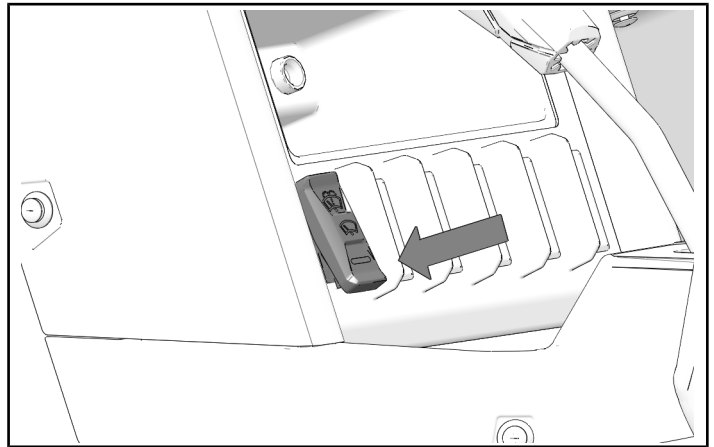
TORQUE

Screws:
13 ft-lbs (18 N·m)

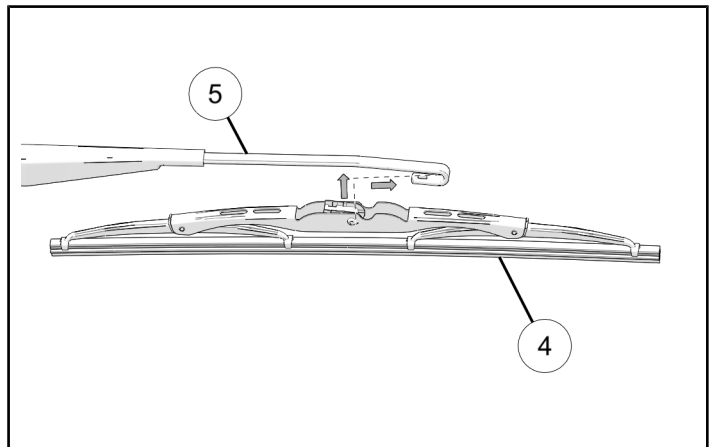


WIPER ARM INSTALLATION

1. Push lower half of wiper switch to turn on wiper motor. Lightly push top of wiper switch to return switch to center position. This will return wiper motor shaft to home position.



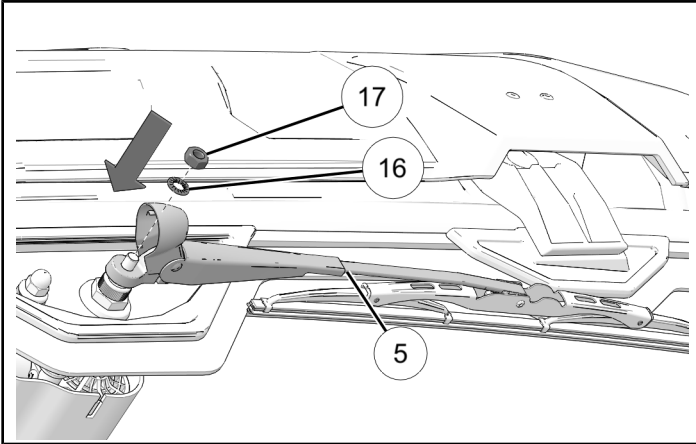
2. Install wiper blade (4) on arm (5).



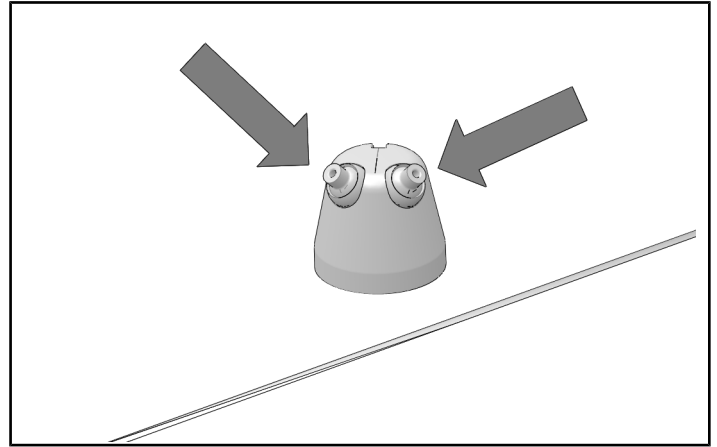
3. Install wiper arm ⑤, lockwasher ⑬, and nut ⑰. Install arm in horizontal position over drivers side of windshield. Torque nut to specification. Close cover over nut.

TORQUE

Nut ⑰:
15.5 ft-lbs (21 N·m)



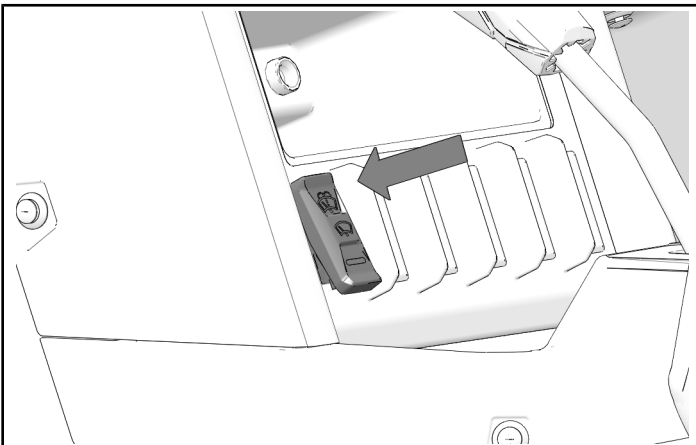
2. Adjust nozzle jets to achieve desired spray pattern.



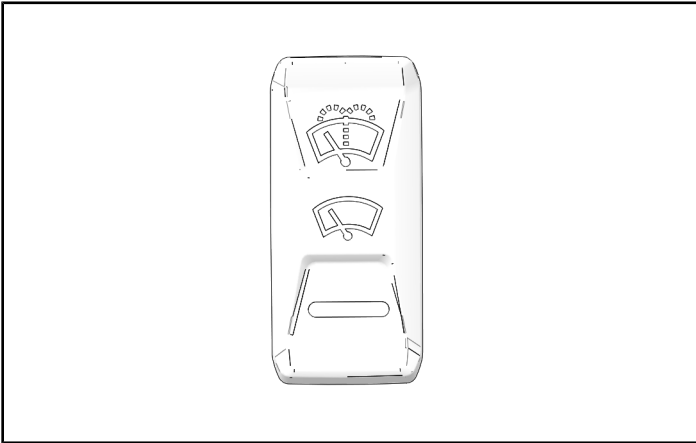
4. Operate the wiper for several seconds, then switch wiper off. Wiper should stop in desired horizontal position, and should not obstruct view of driver. Adjust wiper arm as needed.

NOZZLE ADJUSTMENT

1. Push top of wiper switch to operate washer. Switch will automatically return to center position when released. Observe spray pattern on windshield.



OPERATION



- Wiper switch is a three-position switch.
- Push top of switch to operate washer fluid spray. Switch will return to center position when released.
- Push bottom of switch to turn on wiper. Switch will remain in the lower position when released.
- Lightly press top of switch to return switch to center position. This will turn off the wiper.

WARNING

If vehicle is equipped with tipout windshield, do not operate washer spray with window in the tipped out position.