

# STAGE 4 AUDIO KIT



P/N 2884481

## MISSING OR DAMAGED PARTS

Before beginning assembly, inspect the kit and its component(s) to be sure all parts and tools are accounted for and not damaged. If missing parts or parts are damaged, please contact your Selling Dealer for assistance.

If your accessory was purchased online, please contact POLARIS® customer service at **1-800-POLARIS** (US & Canada only).

## APPLICATION

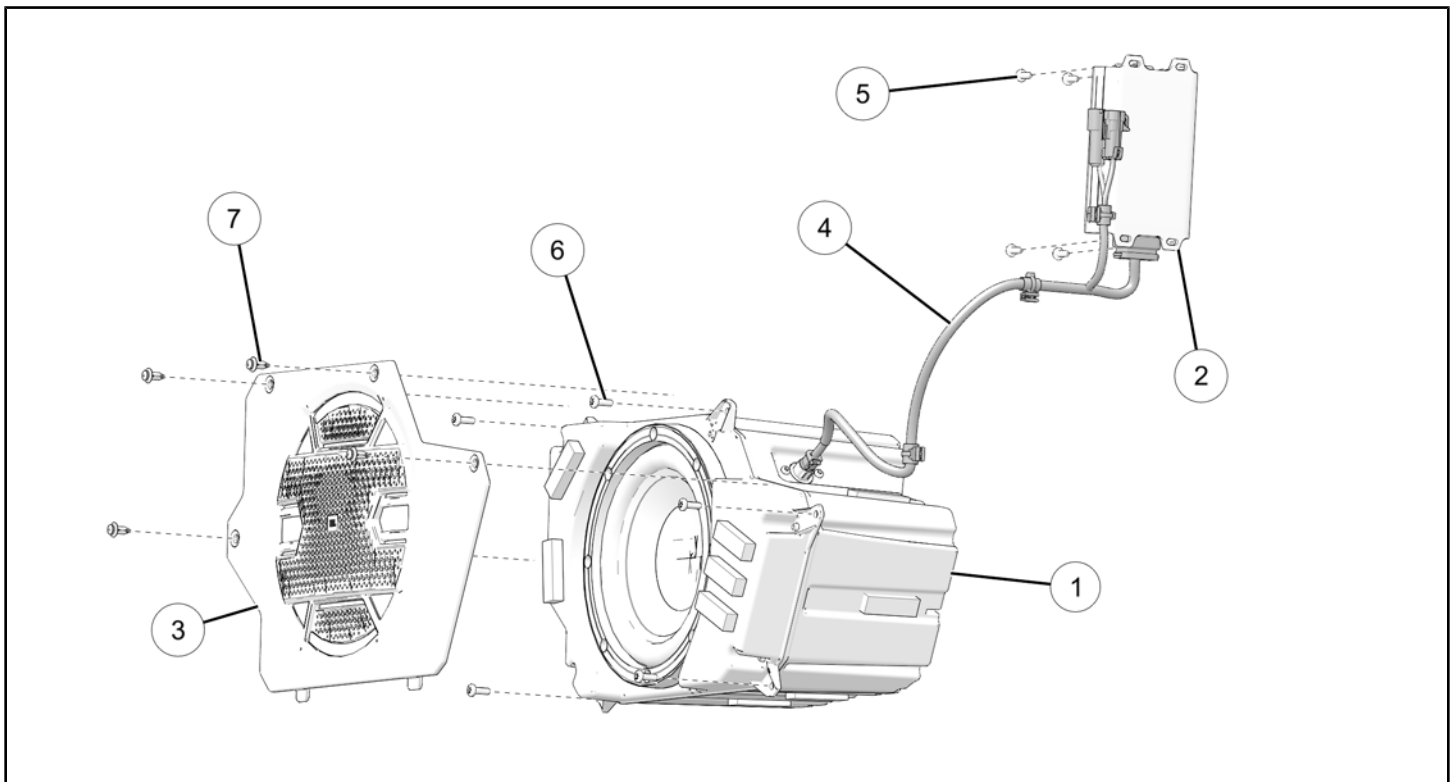
Verify accessory fitment at [www.polaris.com](http://www.polaris.com).

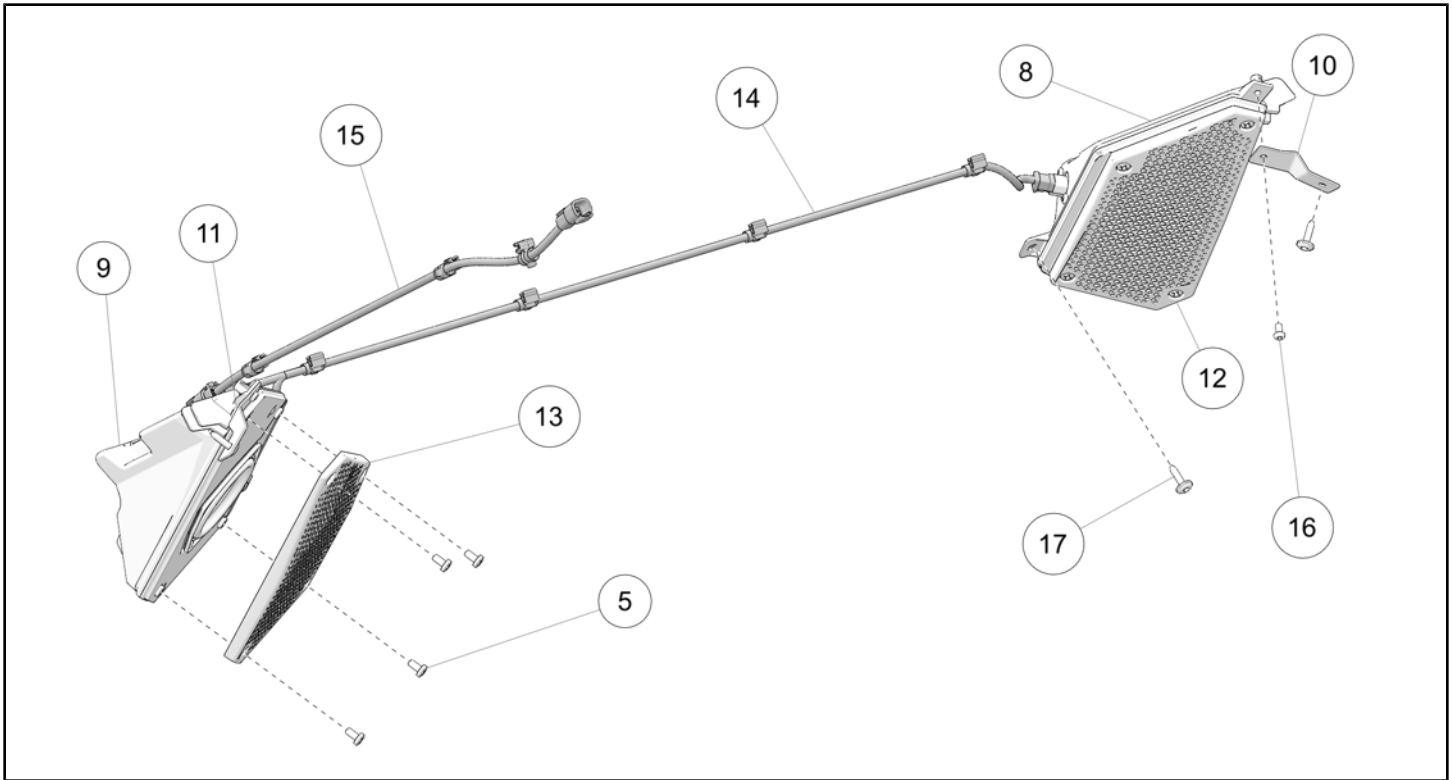
## REQUIRED SOLD SEPARATELY

Only parts for installation of the Stage 4 Audio Kit are included. Prior installation of the following additional kits are also required (sold separately):

- *ROPS Harness Kit*, P/N 2885170

## KIT CONTENTS





REF	QTY	PART DESCRIPTION	P/N AVAILABLE SEPARATELY
1	1	Subwoofer Assembly	2417083
2	1	Amplifier, 300W	2415722
3	1	Console Panel	n/a
4	1	Harness, Infotainment	2415237
5	12	Screw, Torx® Pan Head #14 x 3/4	7519731
6	5	Screw, Torx® Pan Head M6 x 1.0 x 25 mm	7519274
7	4	Push-Pin Rivet	7661855
8	1	Rear Speaker Assembly, Left	2417081
9	1	Rear Speaker Assembly, Right	2417082
10	1	Mounting Bracket, Left	n/a
11	1	Mounting Bracket, Right	n/a
12	1	Rear Speaker Grille, Left	5457804
13	1	Rear Speaker Grille, Right	5457805
14	1	Harness, Rear Audio	2415566
15	1	Harness Rear Audio Extension	2415567
16	2	Screw, Torx® Button Head M6 x 1.0 x 12 mm	7519063
17	4	Screw, Torx® Truss Head M6 x 1.0 x 25 mm	7519650

# HARNESS DETAIL

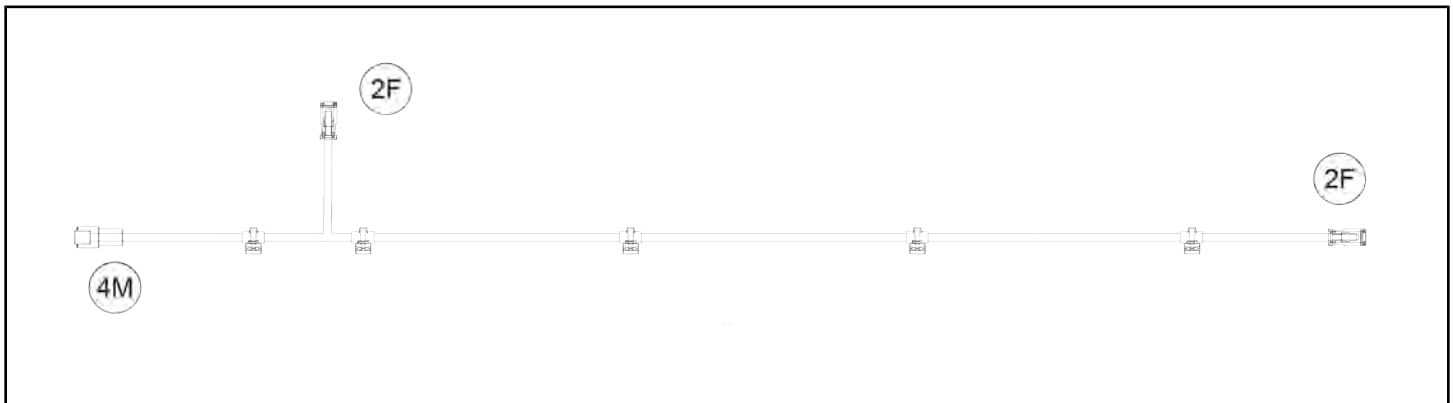
## INFOTAINMENT HARNESS ④



REF	PART DESCRIPTION	CONNECTS TO
2F	Connector	Subwoofer Assembly
2M	Connector	Stage 1 Audio Harness
4M	Connector	Stage 1 Audio Harness
23F	Connector	Amplifier

Example: 16F = 16 pin, Female / 16M = 16 pin, Male (Male terminal fits inside female terminal)

## REAR AUDIO HARNESS ⑭



REF	PART DESCRIPTION	CONNECTS TO
2F	Connector (Dark Green)	Rear Speaker, Left
2F	Connector (Violet)	Rear Speaker, Right
4M	Connector (2 passenger) Connector (Multi-passenger)	ROPS Harness Rear Audio Extension Harness

Example: 16F = 16 pin, Female / 16M = 16 pin, Male (Male terminal fits inside female terminal)

## REAR AUDIO EXTENSION HARNESS 15



REF	PART DESCRIPTION	CONNECTS TO
4F	Connector	Rear Audio Harness
4M	Connector	ROPS Harness

Example: 16F = 16 pin, Female / 16M = 16 pin, Male (Male terminal fits inside female terminal)

### TOOLS REQUIRED

- Safety Glasses
- Cutting Tool/Utility Knife
- Hex Key Set, Metric
- Pliers, Push Pin Rivet
- Pry Tool
- Screwdriver, Slotted
- Screwdriver Set, Torx®
- Socket Set, Torx® Bit
- Torque Wrench

### IMPORTANT

Your Stage 4 Audio Kit is exclusively designed for your vehicle. Please read the installation instructions thoroughly before beginning. Installation is easier if the vehicle is clean and free of debris. For your safety, and to ensure a satisfactory installation, perform all installation steps correctly in the sequence shown.

### INSTALLATION INSTRUCTIONS

#### VEHICLE PREPARATION

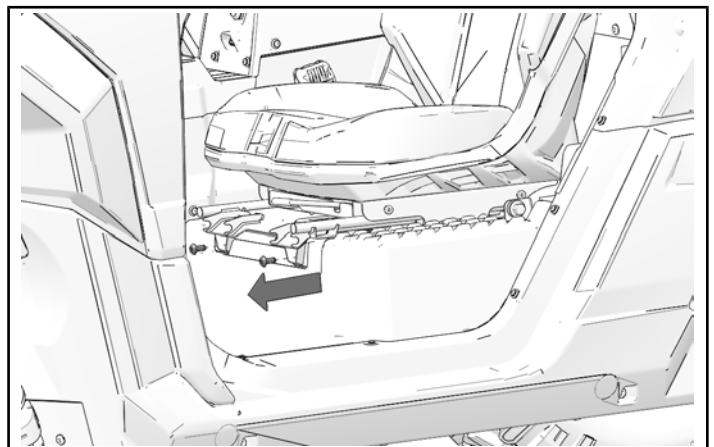
##### GENERAL

1. Park vehicle on a flat surface.
2. Shift vehicle into PARK.
3. Turn key to OFF position and remove key.

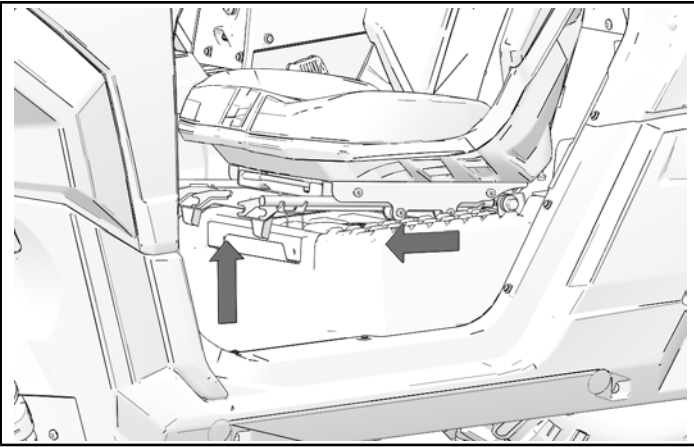
##### BATTERY DISCONNECTION

<b>NOTICE</b>
Doors hidden for clarity.

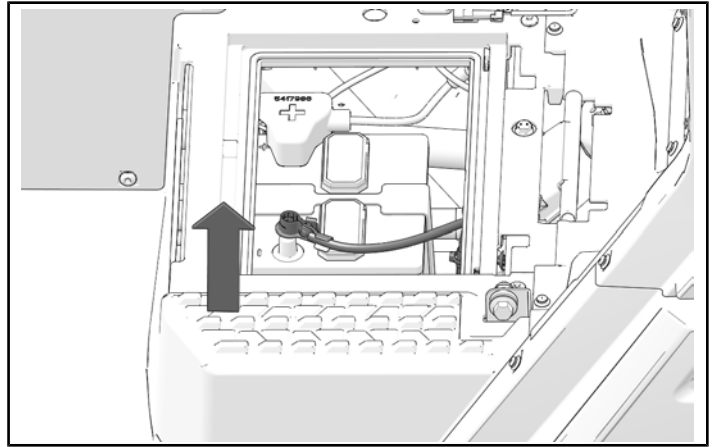
1. Remove and keep two screws from front of driver seat base.



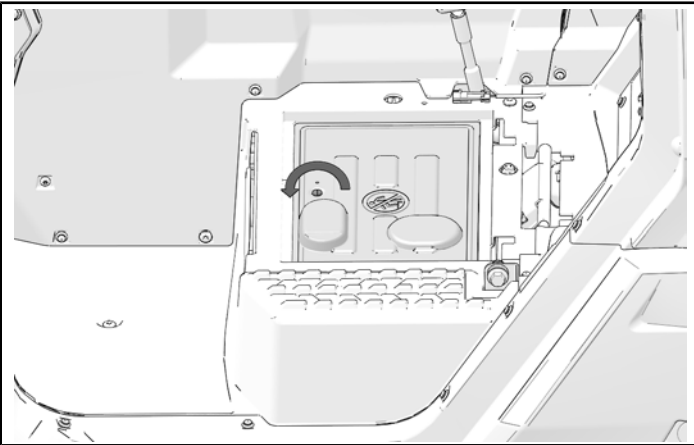
2. Lift front of seat and pull forward to remove seat.



5. Disconnect negative (-) cable from battery.



3. Turn screw to open cover.



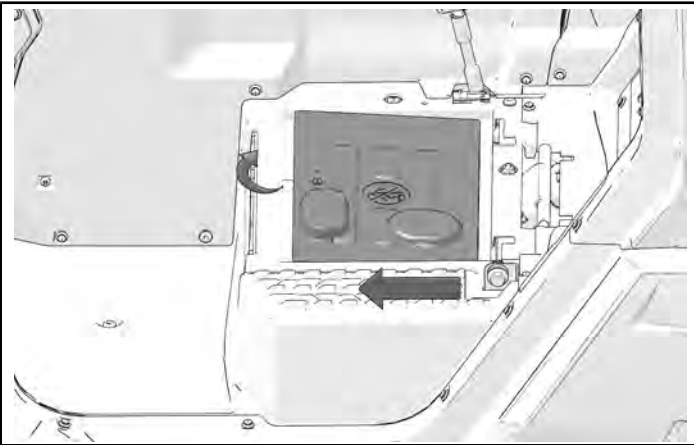
## **CENTER DASH PANEL REMOVAL**

### **VEHICLES WITH TIP-OUT WINDSHIELD**

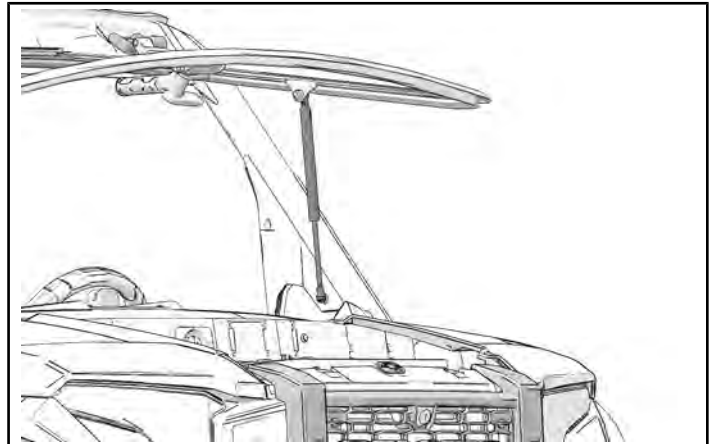
#### **NOTICE**

For vehicles without tip-out windshield, proceed to Panel Removal.

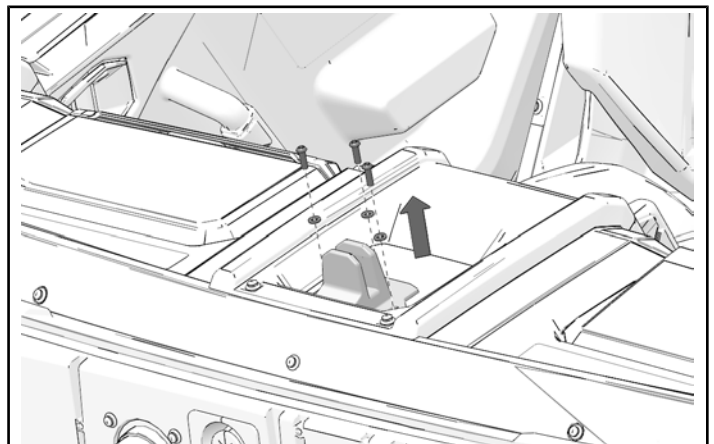
4. Lift cover and slide forward to remove.



1. Open tip-out windshield.

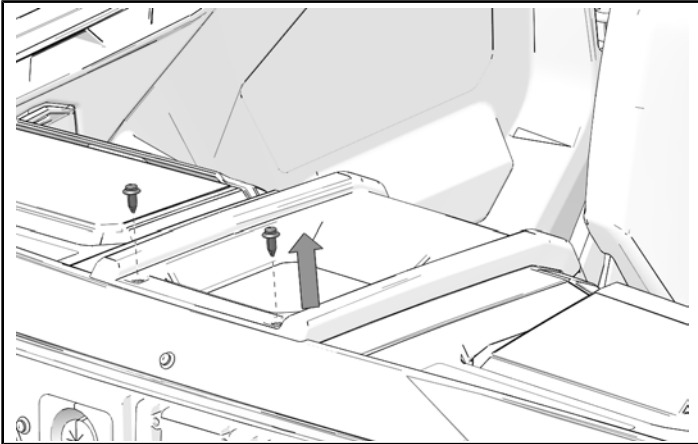


2. Remove and keep three screws and washers. Remove and keep windshield base.

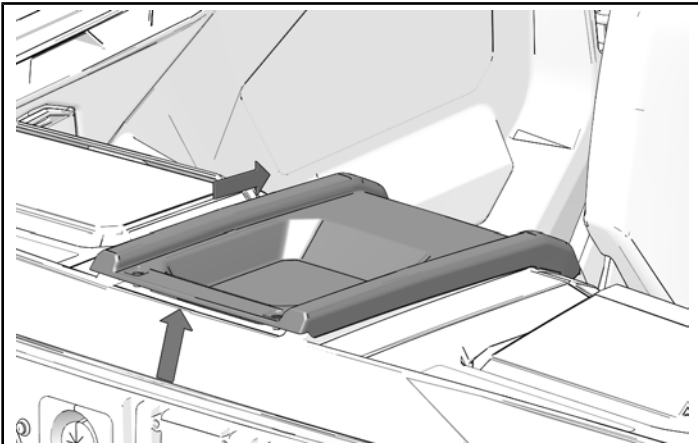


## PANEL REMOVAL

1. Remove and keep two push-pin rivets from center dash panel.



2. Remove and keep panel by lifting front edge and moving backward.



## HEAD UNIT REMOVAL

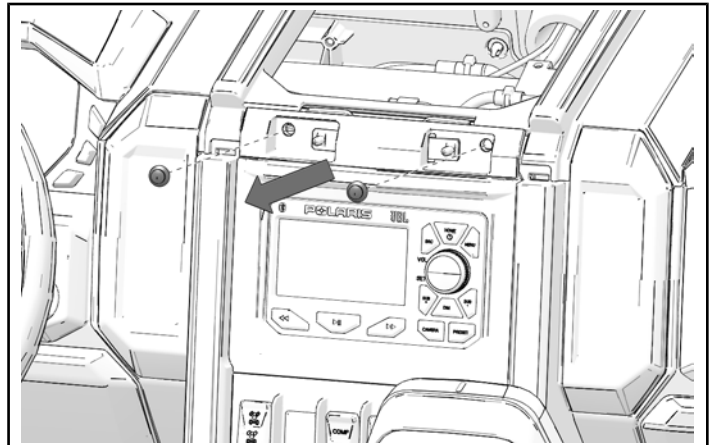
### NOTICE

Vehicles without audio system will have a storage bin in place of head unit. Storage bin is removed in a similar manner to head unit.

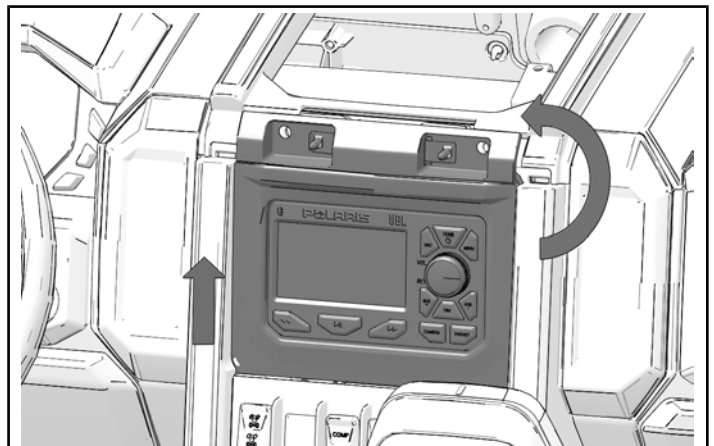
### NOTICE

Base audio head unit removal shown. Ride Command® display removal similar.

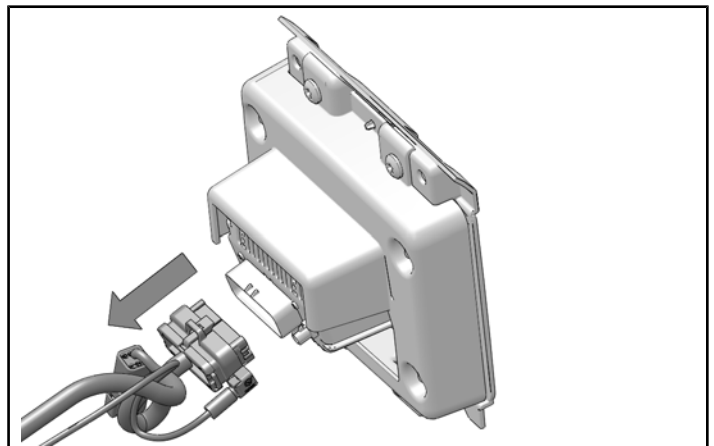
1. Remove and keep two push-pin rivets from top of the head unit.



2. Pull top of head unit away from dash and lift head unit up to remove from dash.



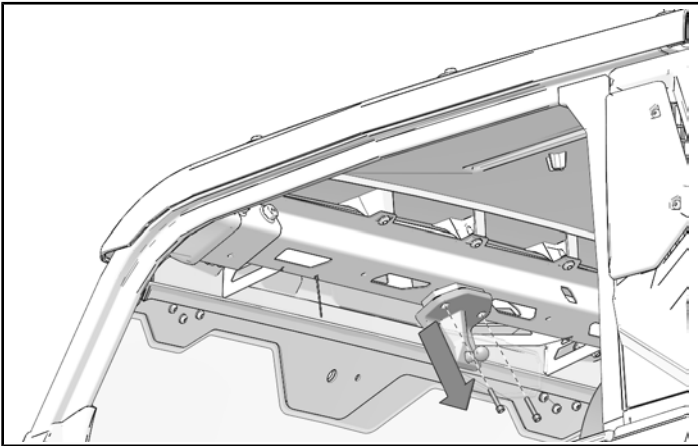
3. Disconnect wiring harness and antenna from head unit. Remove head unit.



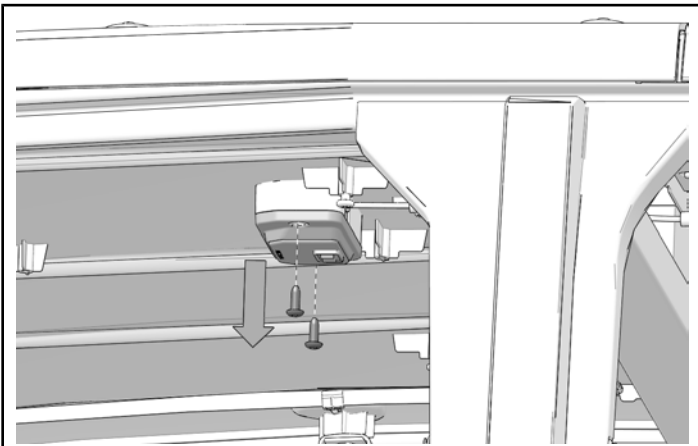


## FRONT ROOF LINER REMOVAL

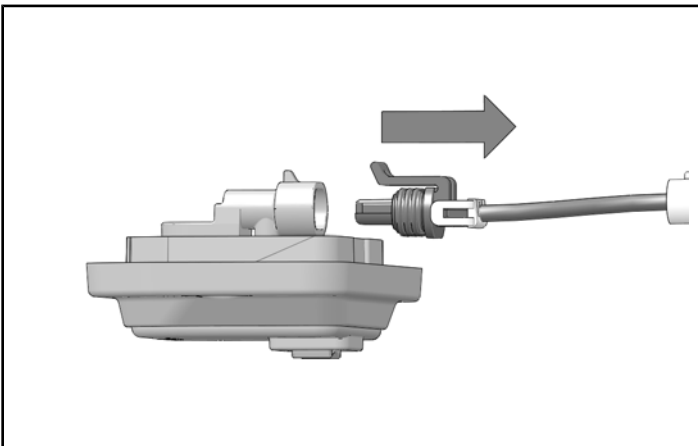
1. Remove and save two screws and rearview mirror assembly (if equipped).



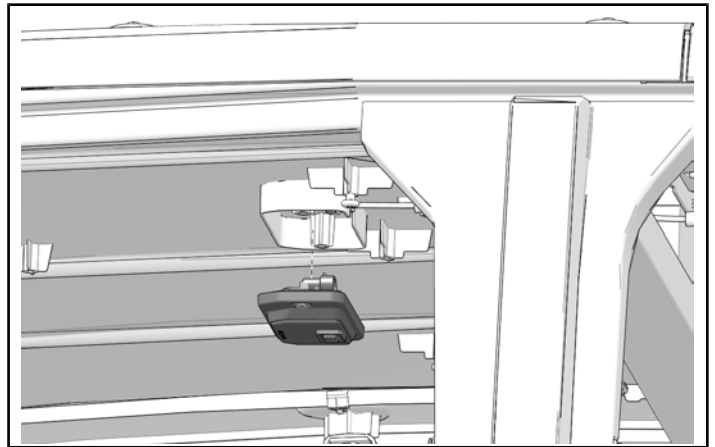
2. Remove and keep two screws to uninstall dome light.



3. Disconnect dome light from wiring harness.



4. Remove and keep dome light.



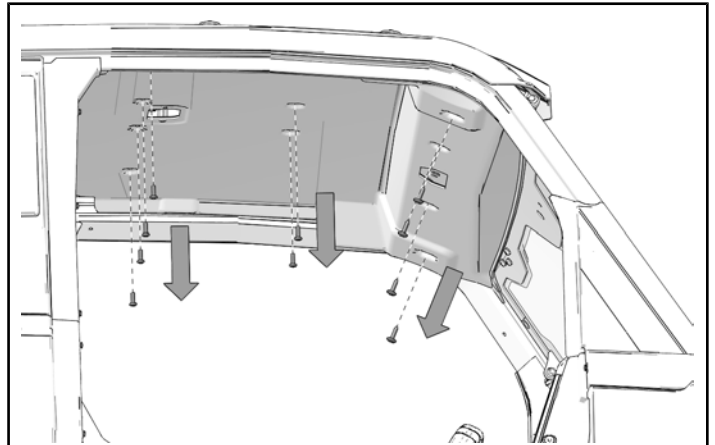
5. Remove and keep six screws from top of roof liner and four screws from front of roof liner.

### NOTICE

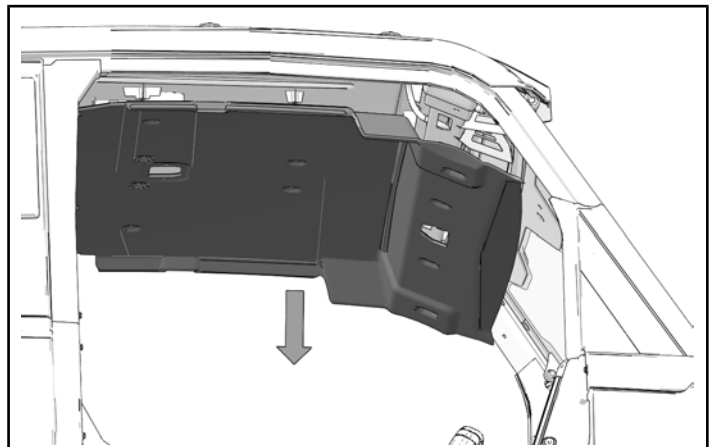
Vehicles that are not equipped with rearview mirror will have a fifth screw at front of roof liner.

### NOTICE

Vehicles equipped with 2-passenger cab will have three additional screws near rear of roof liner.

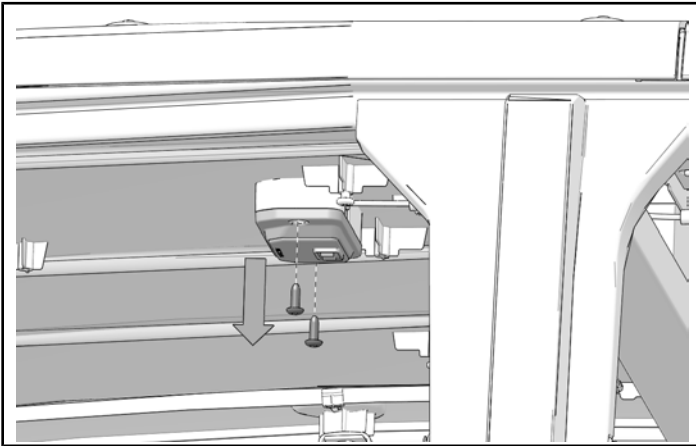


6. Remove and keep front roof liner.

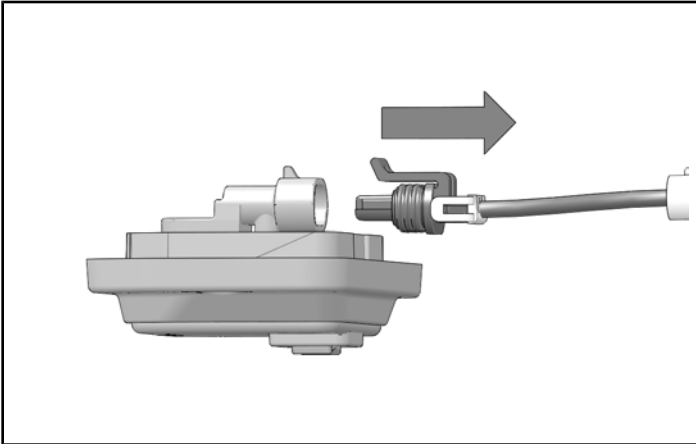


## MID ROOF LINER REMOVAL

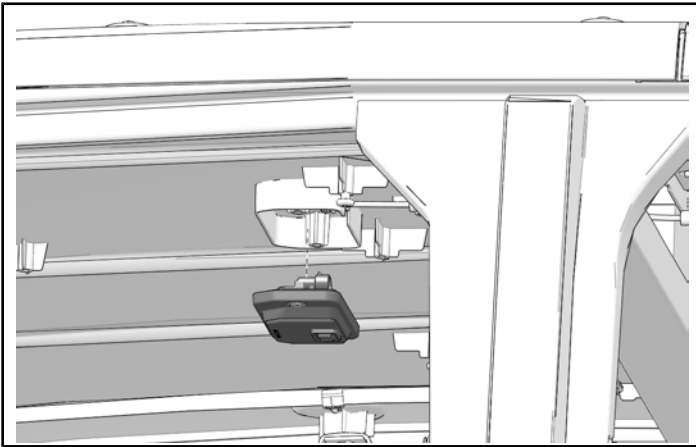
1. Remove and keep two screws to remove dome light.



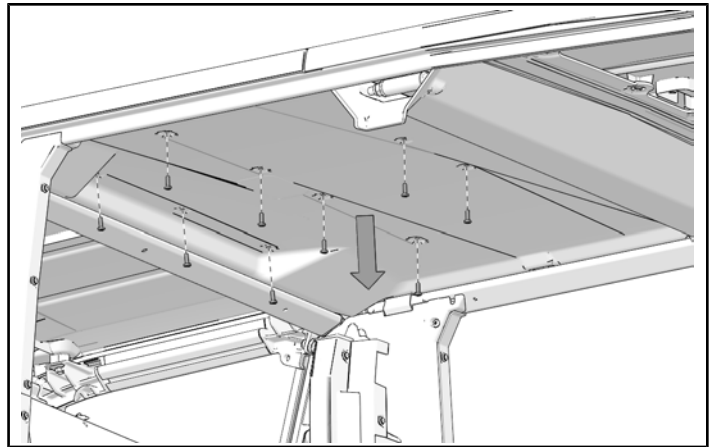
2. Disconnect dome light from wiring harness.



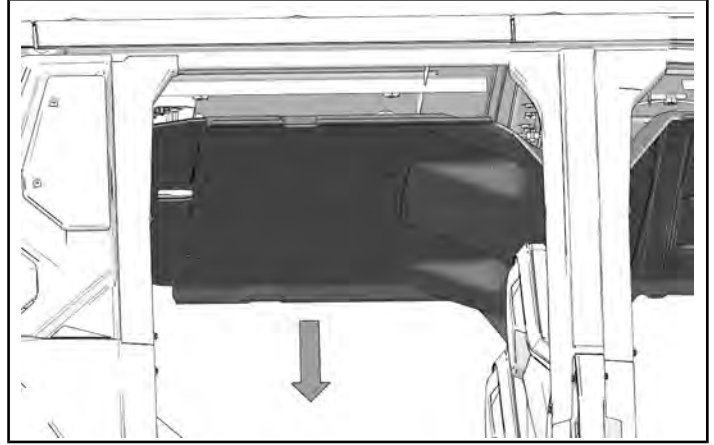
3. Remove and keep dome light.



4. Remove and keep nine screws from mid roof liner.



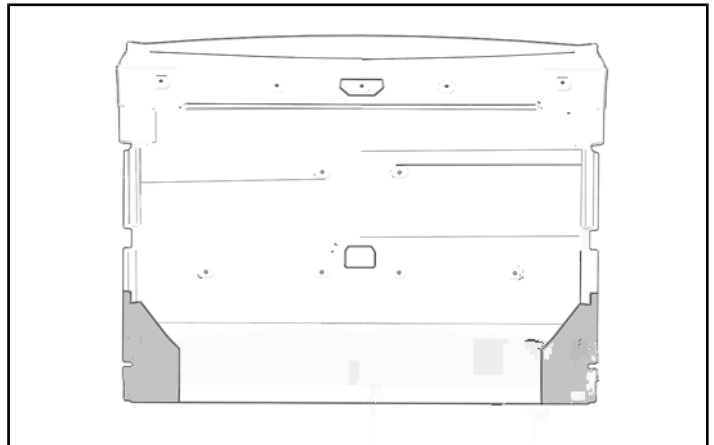
5. Remove mid roof liner.



## ACCESSORY INSTALLATION

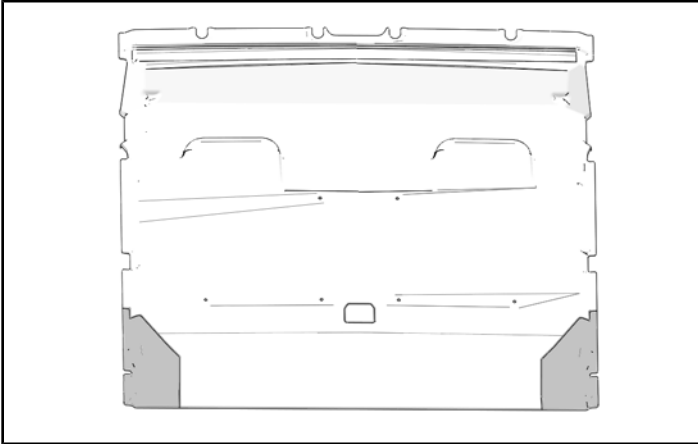
### TRIM ROOF LINER

1. For 2 passenger vehicle, trim front roof liner at shaded areas shown. Score lines on top of liner show where liner should be cut.





- For multi-passenger vehicle, trim mid roof liner at shaded areas shown. Score lines on top of liner show where liner should be cut.

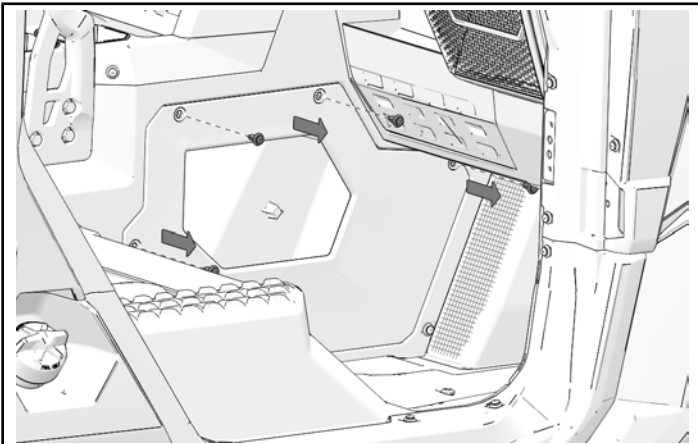


## INSTALL DASH COMPONENTS

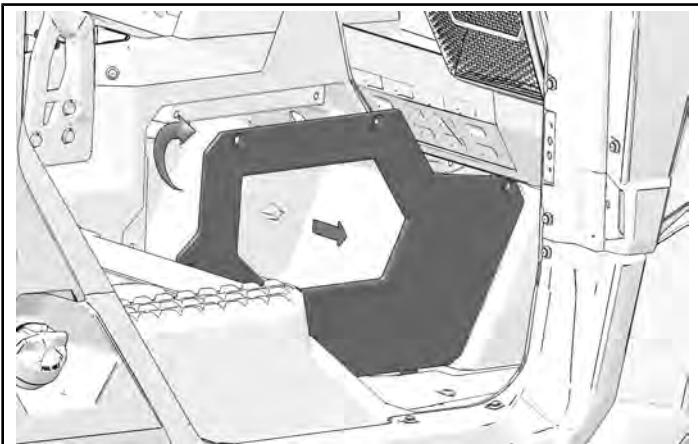
### NOTICE

Vehicle components hidden for clarity.

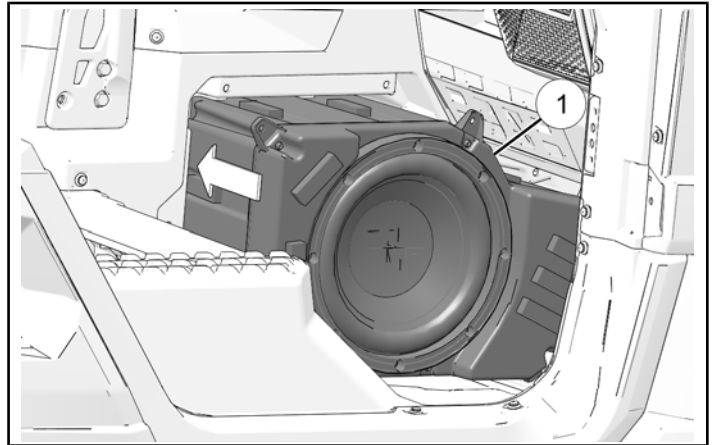
- Remove four push-pin rivets from storage panel.



- Tip out top of storage panel and remove.



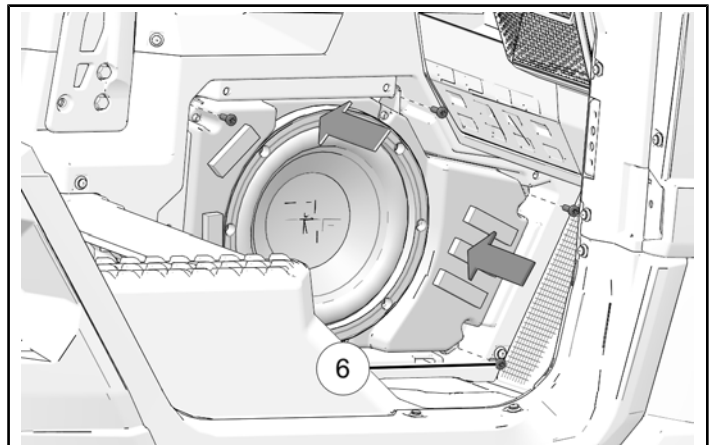
- Install subwoofer ①.



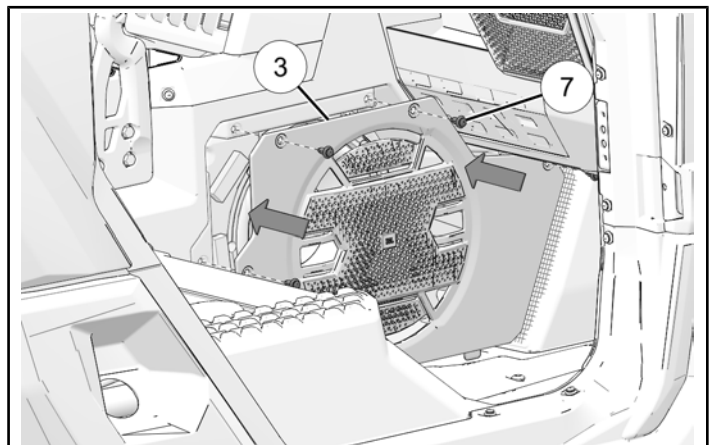
- Install five subwoofer screws ⑥. Torque screws to specification.

### TORQUE

Subwoofer Screws ⑥:  
**22 in-lbs (2.5 N·m)**



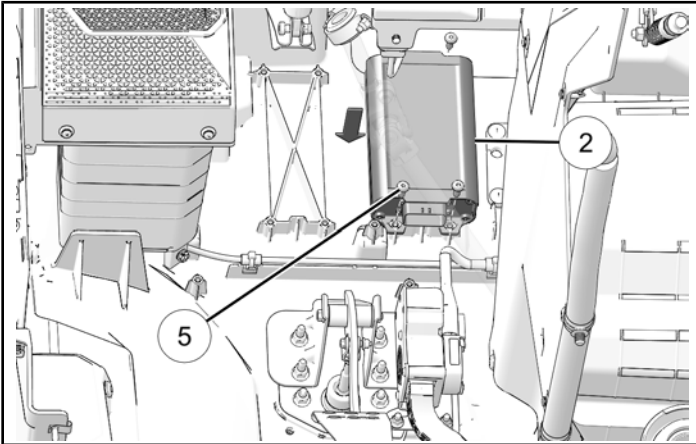
- Engage lower tabs of grille ③ and install grille and four push-pin rivets ⑦.



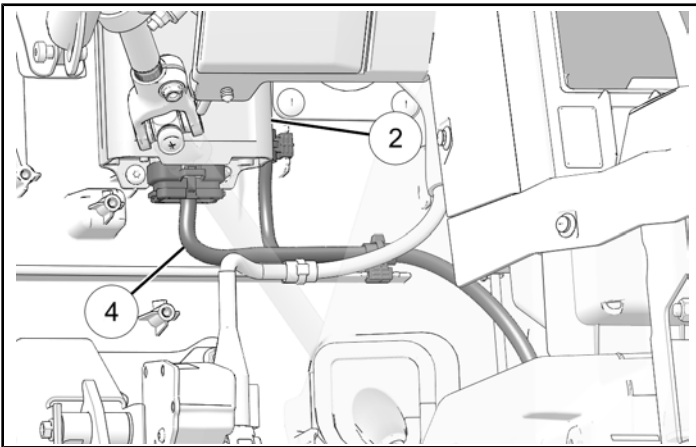
- Install amplifier ② and four screws ⑤ on the stand-offs in front of the steering wheel and above the accelerator pedal. Torque screws until fully seated.

**NOTICE**

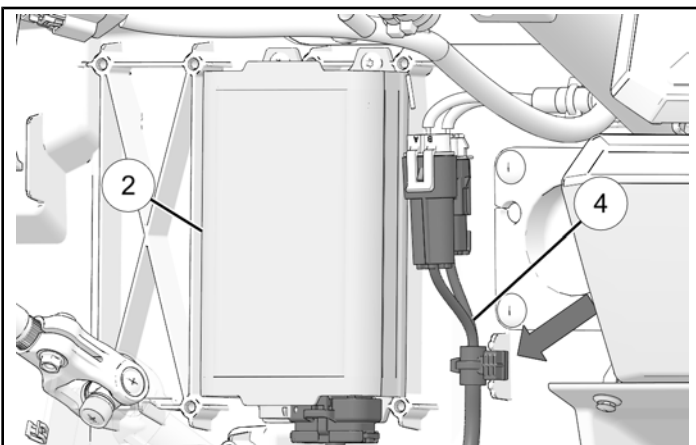
There are two sets of stand-offs near this location. Make sure to use the set closest to the center of the dashboard.



- Remove any caps from wiring harness connectors.
- Connect harness ④ to amplifier ②.



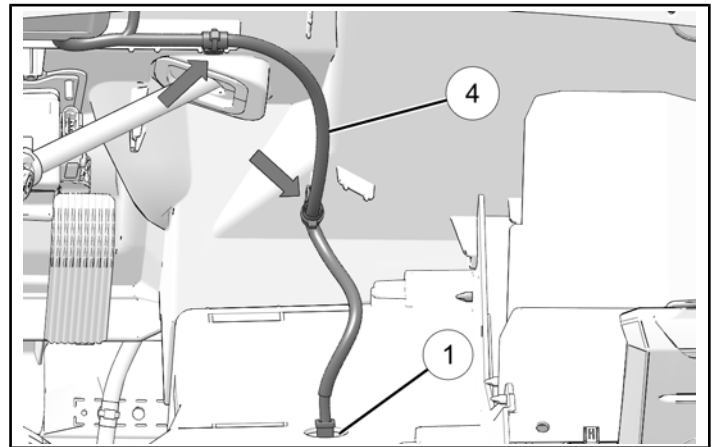
- Connect harness ④ to existing audio harness at both connectors. Clip harness ④ to firewall at indicated location.



- Access harness and subwoofer connector through area where center dash panel and head unit were removed. Connect harness ④ to subwoofer ①. Clip harness ④ to firewall at indicated locations.

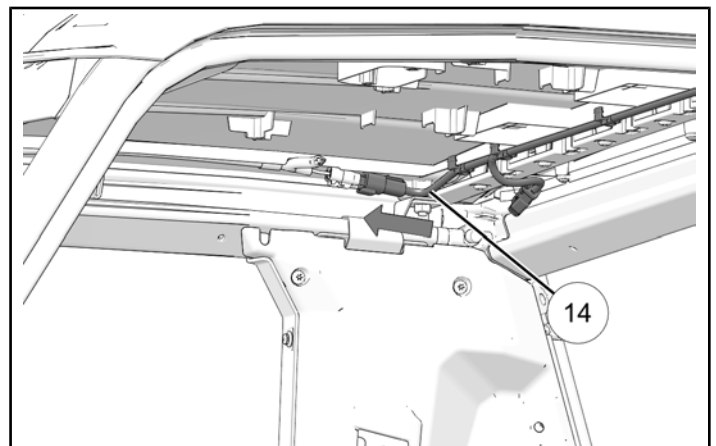
**NOTICE**

If vehicle is equipped with heater, it will not be possible to see the subwoofer connector, and harness routing will be difficult. Refer to Heater Kit instructions for information on further disassembly of dashboard that will allow better access to subwoofer connector.

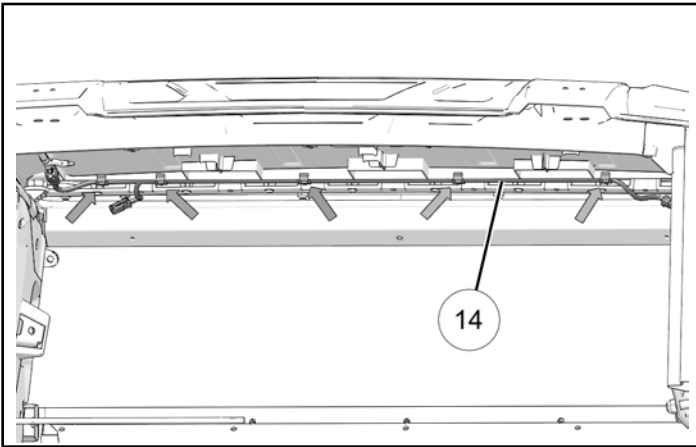


**INSTALL WIRING HARNESS (2 PASSENGER VEHICLE)**

- Connect harness ⑭ to existing ROPS harness.

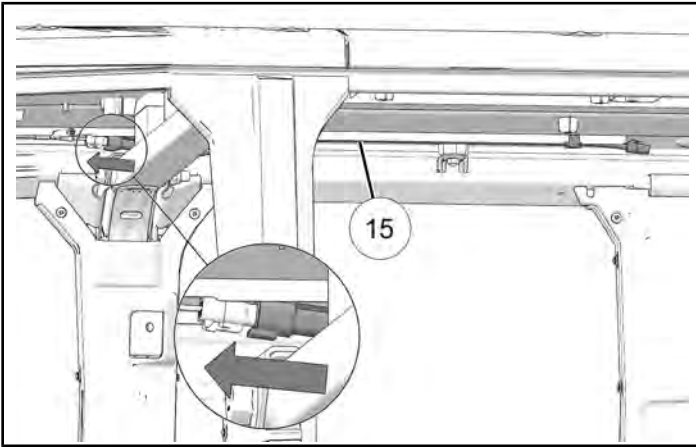


- Clip harness ⑭ at five locations at rear of cab, as shown.

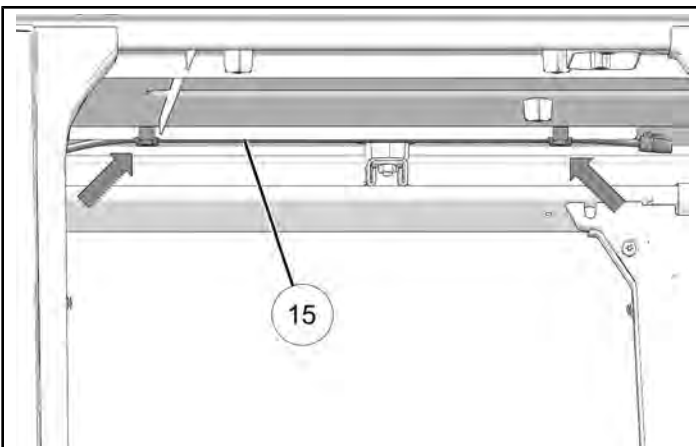


### INSTALL WIRING HARNESS (MULTI PASSENGER VEHICLE)

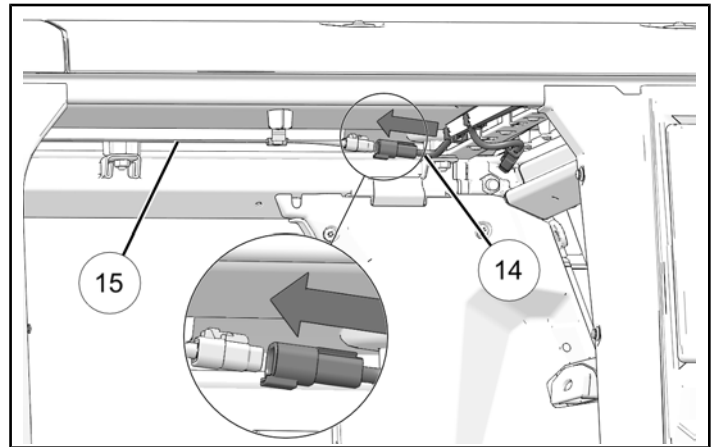
- Connect extension harness ⑮ to existing ROPS harness.



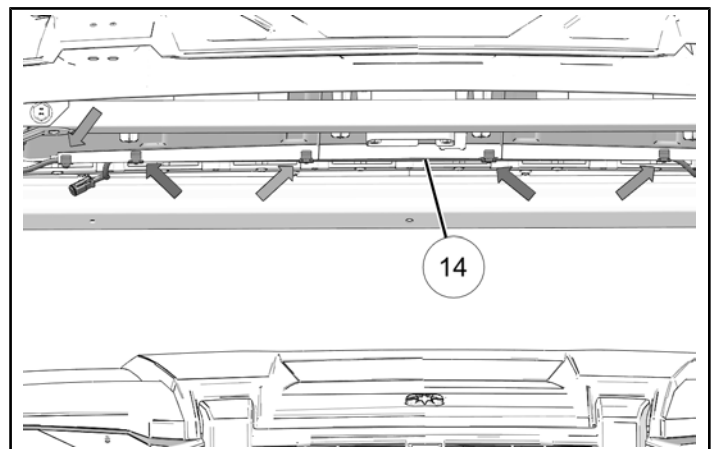
- Clip extension harness ⑮ at two locations, as shown.



- Connect harness ⑭ to extension harness ⑮.



- Clip harness ⑭ at five locations, as shown.



### ASSEMBLE SPEAKERS

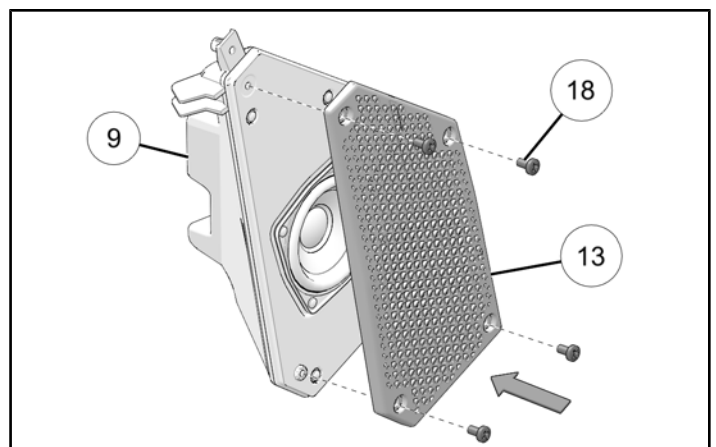
#### NOTICE

Right side shown; left side similar.

- Assemble speaker ⑨, grille ⑬, and four screws ⑱. Torque screws to specification.

#### TORQUE

Screws ⑱:  
22 in-lbs (2.5 N·m)

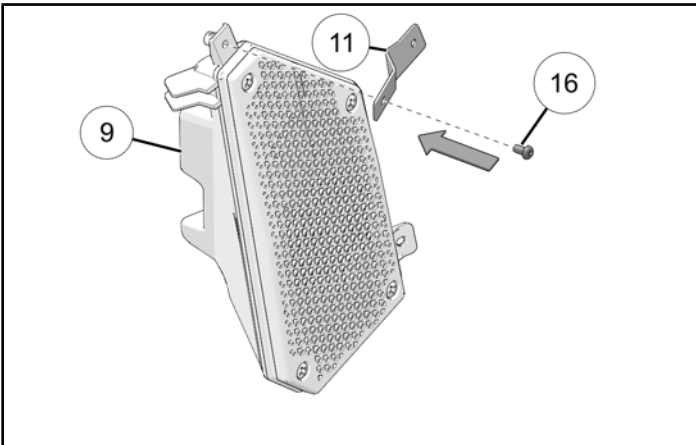




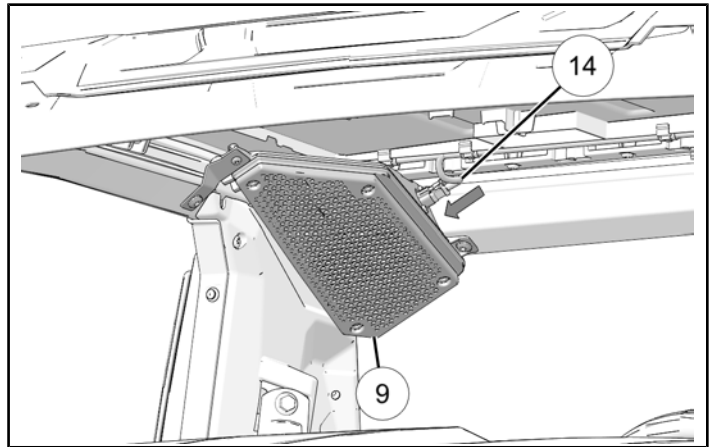
- Assemble bracket ⑪ and screw ⑯ to speaker ⑨. Torque screws to specification.

### TORQUE

Screws ⑯:  
22 in-lbs (2.5 N·m)



- Plug harness ⑭ into speaker ⑨.



### INSTALL SPEAKERS

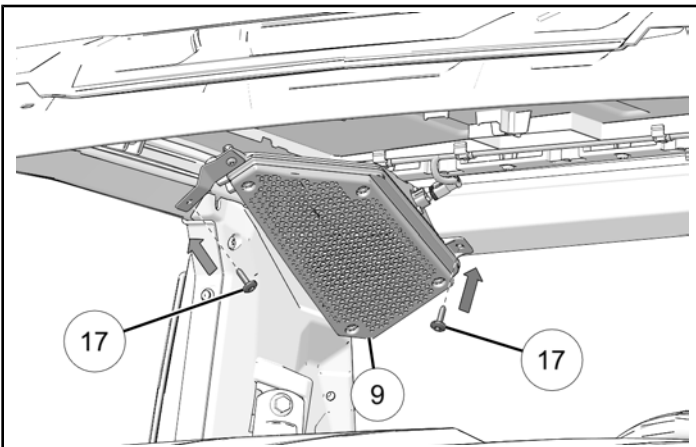
#### NOTICE

Right side shown; left side similar.

- Install speaker ⑨ and two screws ⑰ in upper rear corner of cab. Torque screws to specification.

### TORQUE

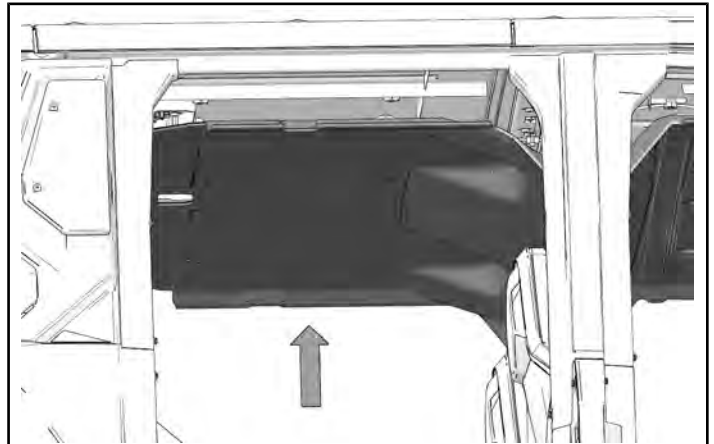
Screws ⑰:  
44 in-lbs (5 N·m)



### VEHICLE REASSEMBLY

#### MID ROOF LINER INSTALLATION

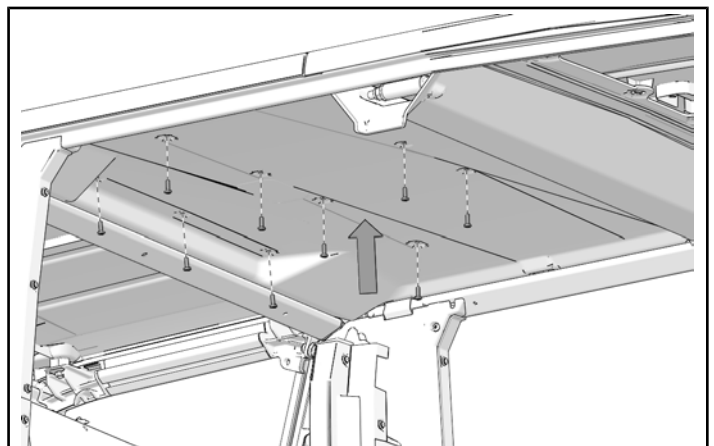
- Install mid roof liner.



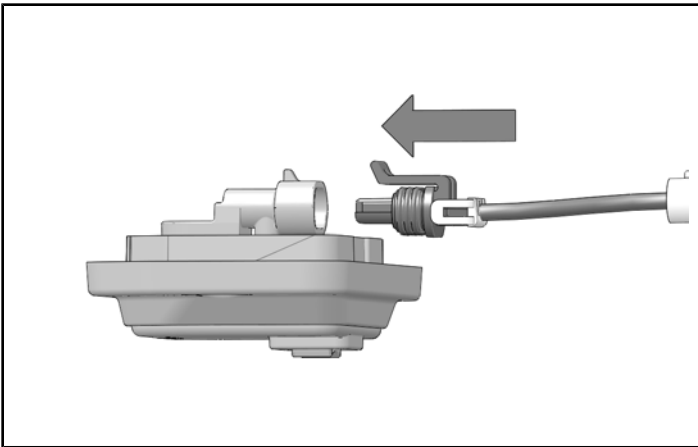
- Install nine screws in top of roof liner. Torque screws to specification.

### TORQUE

Roof Liner Screws:  
27 in-lbs (3 N·m)



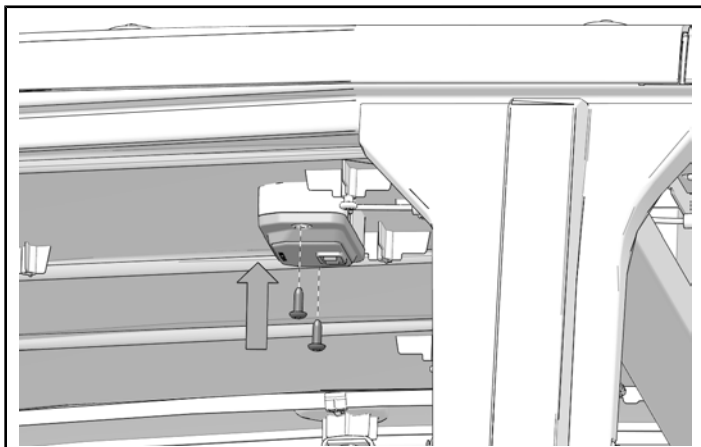
3. Connect wiring harness to dome light.



4. Install dome light with two screws. Torque screws to specification.

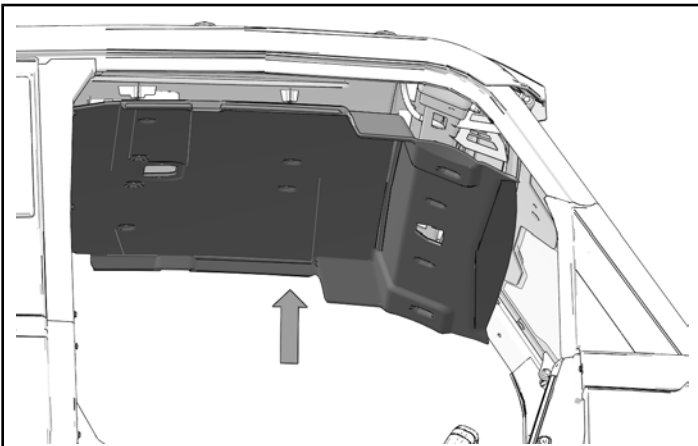
**TORQUE**

Dome Light Screws:  
**22 in-lbs (2.5 N·m)**



**FRONT ROOF LINER INSTALLATION**

1. Install front roof liner.



2. Install six screws in top of roof liner and four screws in front of roof liner. Torque screws to specification.

**NOTICE**

Vehicles that are not equipped with rearview mirror will have a fifth screw at front of roof liner.

**NOTICE**

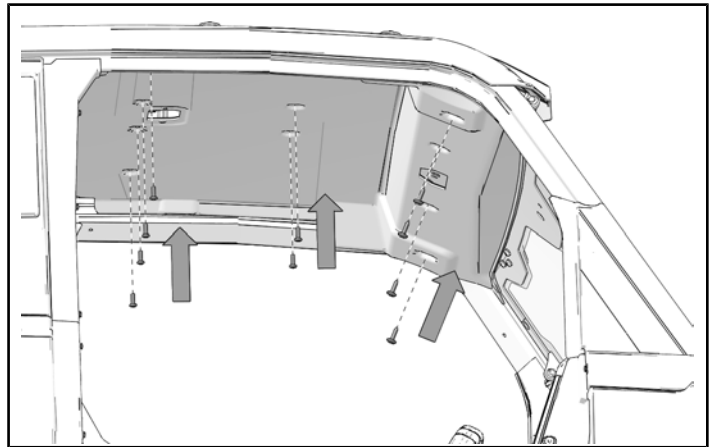
Vehicles equipped with 2-passenger cab will have three additional screws near rear of roof liner.

**TORQUE**

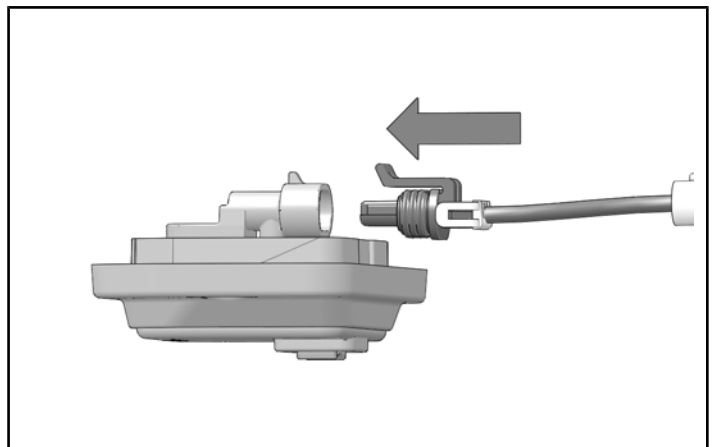
Top Roof Liner Screws:  
**27 in-lbs (3 N·m)**

**TORQUE**

Front Roof Liner Screws:  
**44 in-lbs (5 N·m)**



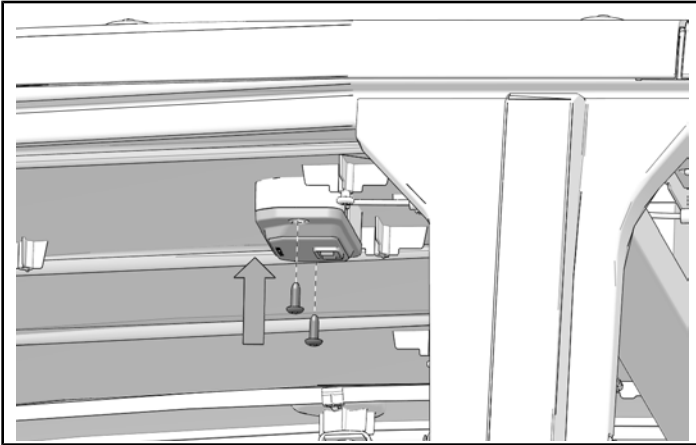
3. Connect wiring harness to dome light.



4. Install dome light with two screws. Torque screws to specification.

**TORQUE**

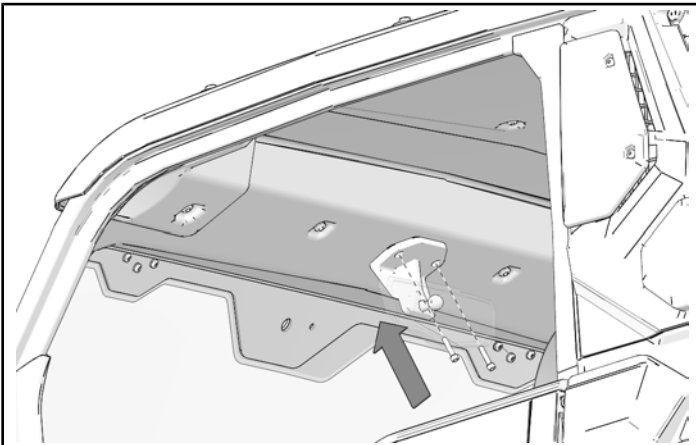
Dome Light Screws:  
**22 in-lbs (2.5 N·m)**



5. Install rearview mirror assembly with two screws. Torque screws to specification.

**TORQUE**

Mirror Screws:  
**31 in-lbs (3.5 N·m)**

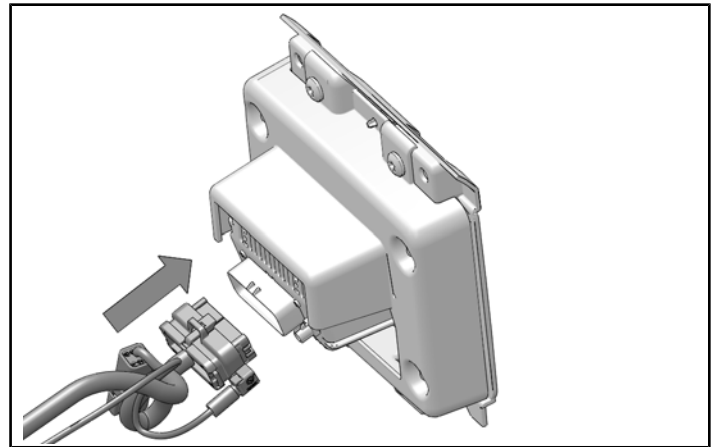


**HEAD UNIT INSTALLATION**

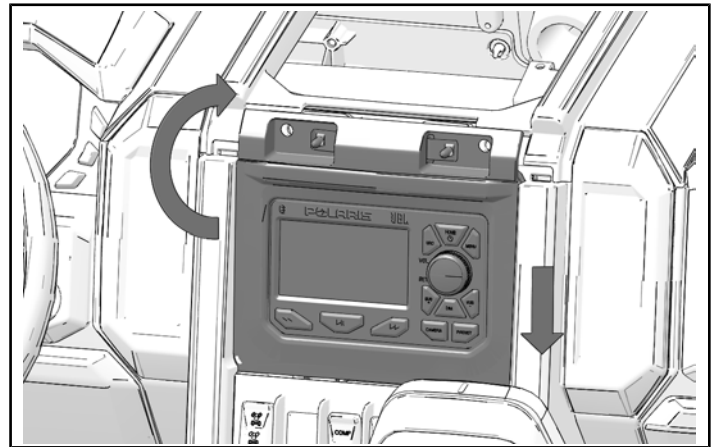
**NOTICE**

Base audio head unit installation shown. Ride Command® display installation similar.

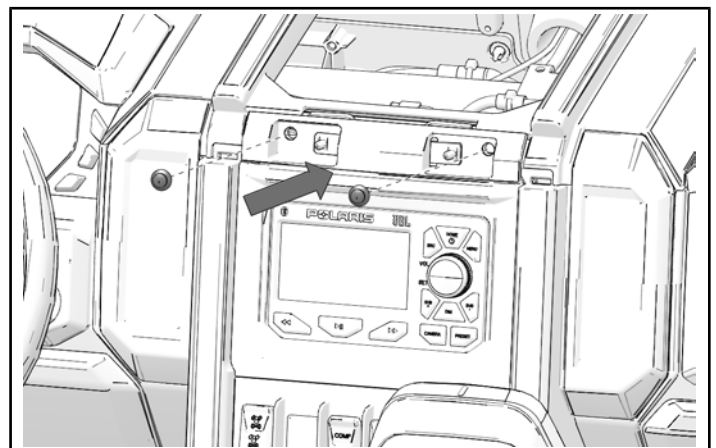
1. Attach wiring harness and antenna to head unit.



2. Put bottom of head unit into position. Push top of head unit into dash.



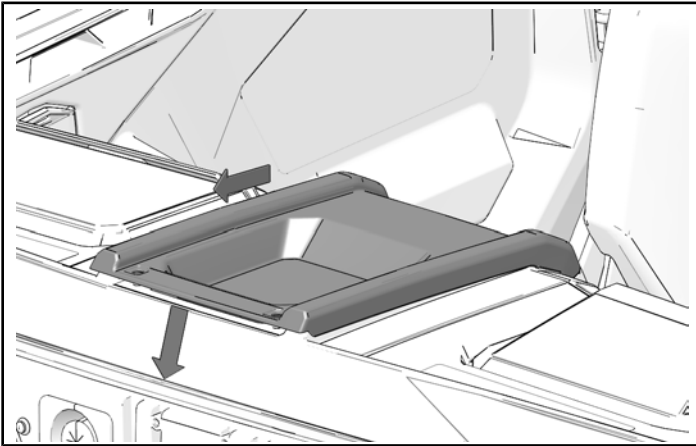
3. Install two push-pin rivets into top of head unit.



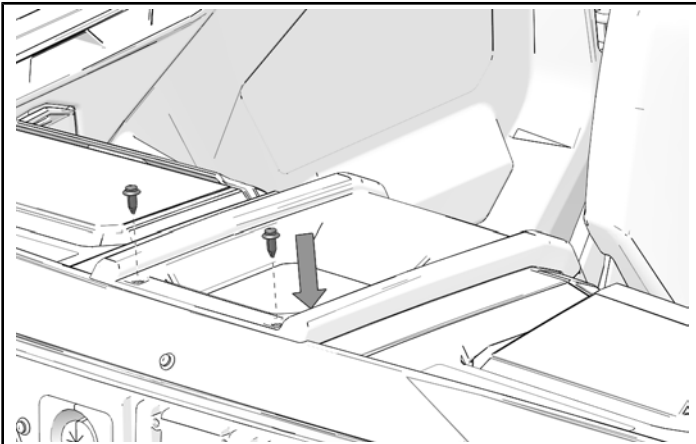


## CENTER DASH PANEL INSTALLATION

1. Install center panel. Install rear tabs into dash, then lower into position.



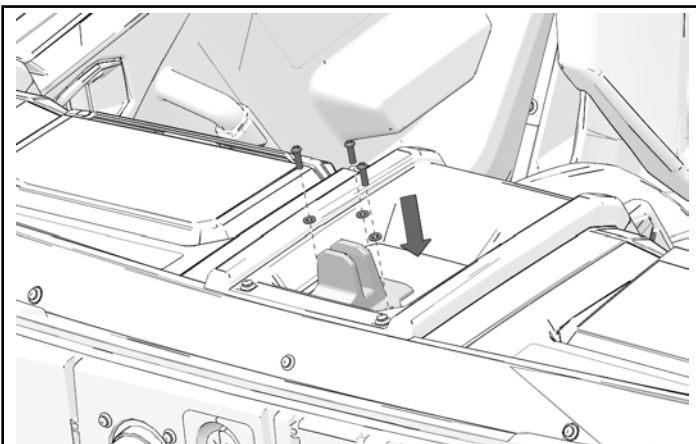
2. Install two push-pin rivets.



3. If vehicle is equipped with tip-out windshield. Install base, three screws, and washers. Torque screws to specification.

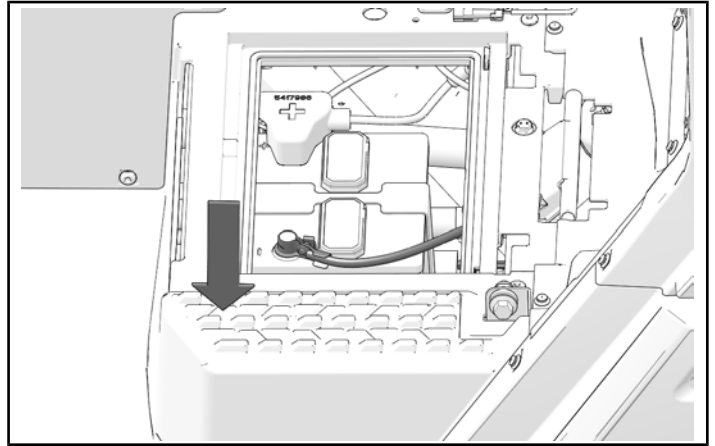
### TORQUE

Base Screws:  
89 in-lbs (10 N·m)

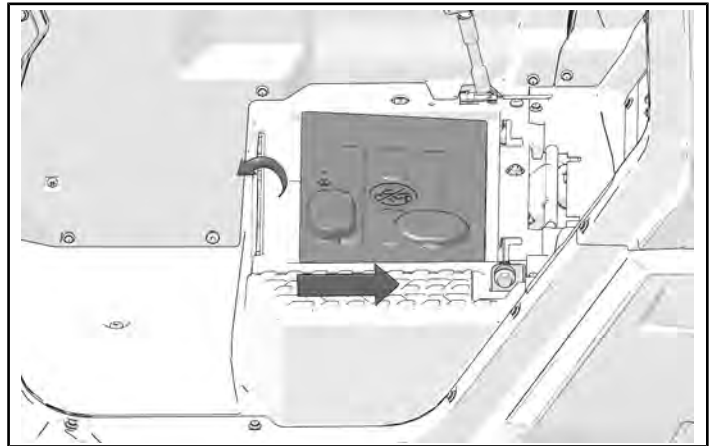


## CONNECT BATTERY

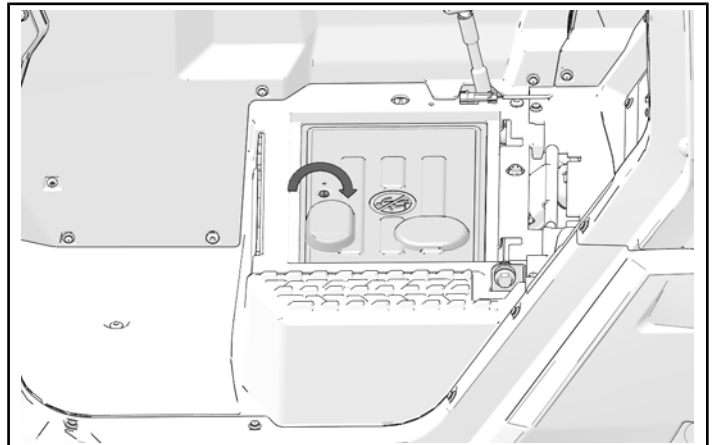
1. Connect negative cable to battery.



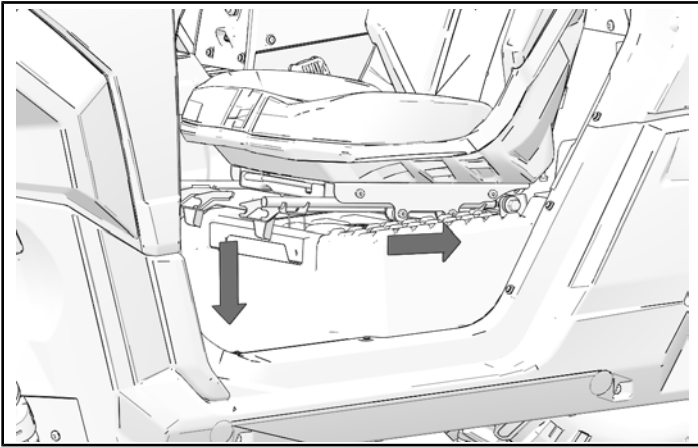
2. Push battery cover rearward and lower into place.



3. Turn screw to close cover.



4. Push rearward to engage seat and lower front of seat into place.



5. Install two kept screws at front of seat base. Torque screws to specification.

**TORQUE**

Screws:  
**13 ft-lbs (18 N·m)**

