

ROCK SLIDERS KIT



P/N 2884511-XXX; 2884512-XXX

BEFORE YOU BEGIN

Read these instructions and check to be sure all parts and tools are accounted for. Please retain these installation instructions for future reference and parts ordering information.

ACCESSORY WEIGHT

Accessories, passengers, and other factors may negatively affect ride performance. Refer to your vehicle's owner's manual for maximum weight capacity and suspension adjustment procedures.

APPLICATION

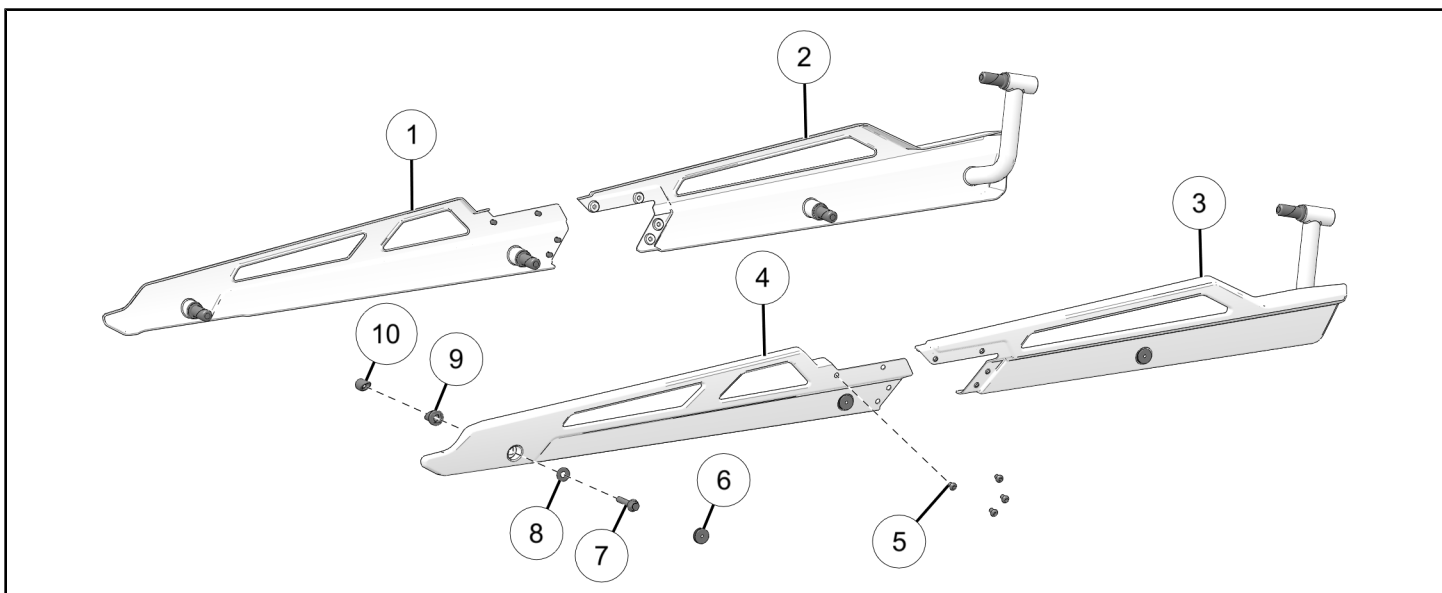
Verify accessory fitment at www.polaris.com.

KIT CONTENTS

NOTICE

XXX = Polaris® color code (For example: 458 = Black)

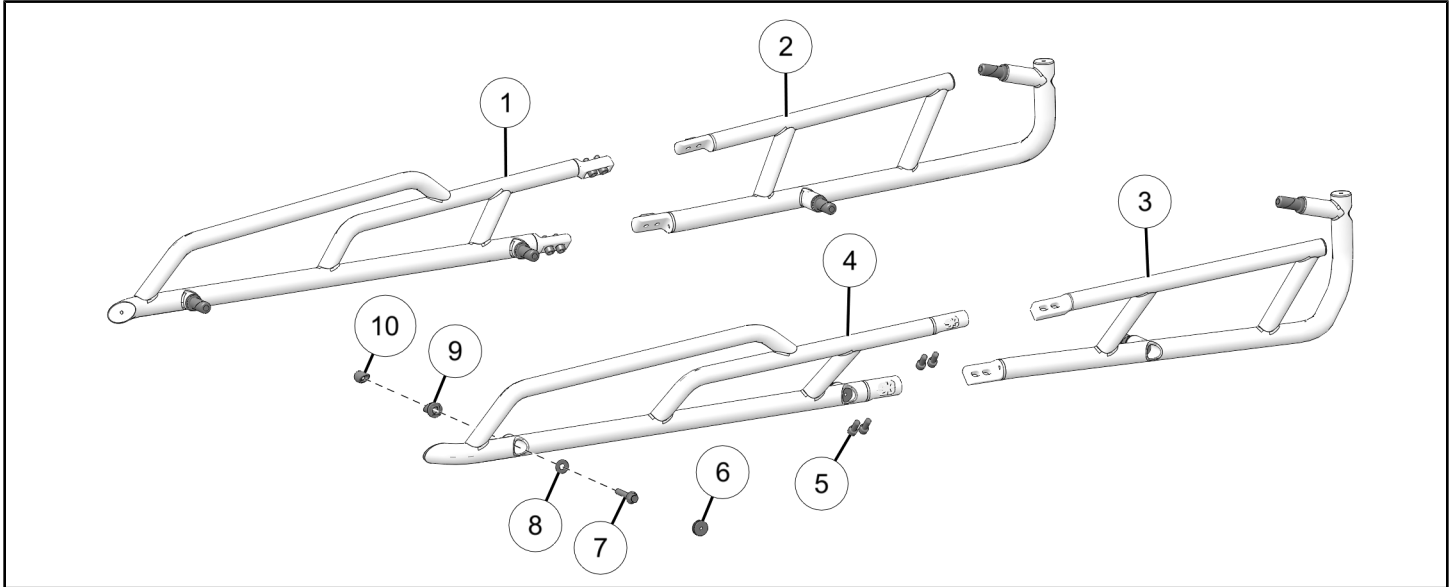
LOW PROFILE ROCK SLIDERS P/N 2884511-XXX



| REF | QTY | PART DESCRIPTION | P/N AVAILABLE SEPARATELY | AVAILABLE SERVICE KIT |
|-----|-----|--|--------------------------|-----------------------|
| 1 | 1 | Weld-Rock Slider, Front, Right-Hand | n/a | n/a |
| 2 | 1 | Weld-Rock Slider, Rear, Right-Hand | n/a | n/a |
| 3 | 1 | Weld-Rock Slider, Rear, Left-Hand | n/a | n/a |
| 4 | 1 | Weld-Rock Slider, Front, Left-Hand | n/a | n/a |
| 5 | 8 | Screw-Torx® Button Head, M8 x 1.25 x 12 mm | n/a | 2209169 |
| 6 | 8 | Plug-End Cap | n/a | 2209169 |
| 7 | 8 | Screw-Hex Flange, M10 x 1.5 x 55 mm | n/a | 2209169 |
| 8 | 8 | Washer-0.453 x 1.0 x 0.078 in | n/a | 2209169 |

| REF | QTY | PART DESCRIPTION | P/N AVAILABLE SEPARATELY | AVAILABLE SERVICE KIT |
|-----|-----|--------------------------|--------------------------|-----------------------|
| 9 | 8 | Anchor–Wedge, Unthreaded | n/a | 2209169 |
| 10 | 8 | Anchor–Wedge, Threaded | n/a | 2209169 |

NERF BAR ROCK SLIDERS P/N 2884512-XXX



| REF | QTY | PART DESCRIPTION | P/N AVAILABLE SEPARATELY | AVAILABLE SERVICE KIT |
|-----|-----|--------------------------------------|--------------------------|-----------------------|
| 1 | 1 | Weld–Rock Slider, Front, Right-Hand | n/a | n/a |
| 2 | 1 | Weld–Rock Slider, Rear, Right-Hand | n/a | n/a |
| 3 | 1 | Weld–Rock Slider, Rear, Left-Hand | n/a | n/a |
| 4 | 1 | Weld–Rock Slider, Front, Left-Hand | n/a | n/a |
| 5 | 8 | Screw–Socket Head, M10 x 1.5 x 25 mm | n/a | 2208605 |
| 6 | 8 | Plug–End Cap | n/a | 2208605 |
| 7 | 8 | Screw–Hex Flange, M10 x 1.5 x 55 mm | n/a | 2208605 |
| 8 | 8 | Washer–0.453 x 1.0 x 0.078 in | n/a | 2208605 |
| 9 | 8 | Anchor–Wedge, Unthreaded | n/a | 2208605 |
| 10 | 8 | Anchor–Wedge, Threaded | n/a | 2208605 |

TOOLS REQUIRED

- Safety Glasses
- Hex Key Set, Metric
- Socket Set, Hex Bit, Metric
- Socket Set, Metric
- Socket Set, Torx® Bit
- Torque Wrench

IMPORTANT

Your Rock Sliders Kit is exclusively designed for your vehicle. Please read the installation instructions thoroughly before beginning. Installation is easier if the vehicle is clean and free of debris. For your safety, and to ensure a satisfactory installation, perform all installation steps correctly in the sequence shown.

INSTALLATION INSTRUCTIONS

VEHICLE PREPARATION

GENERAL

1. Park vehicle on a flat surface.
2. Shift vehicle into PARK.
3. Turn key to OFF position and remove key.

ACCESSORY INSTALLATION

NOTICE

Left-hand rock slider shown; right-hand rock slider similar.

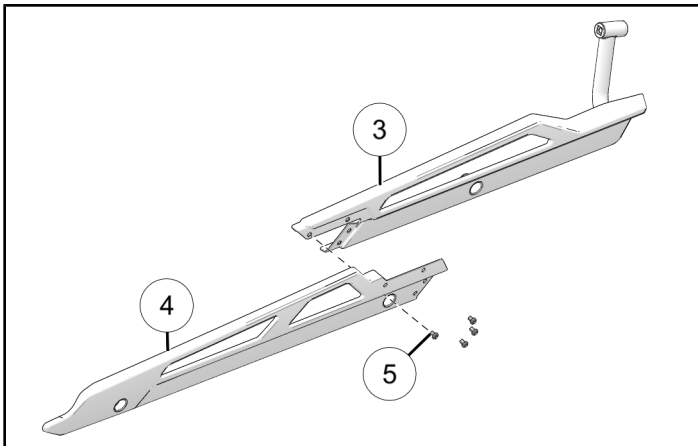
NOTICE

Low Profile Rock Sliders shown; Nerf Bar Rock Sliders similar except where noted.

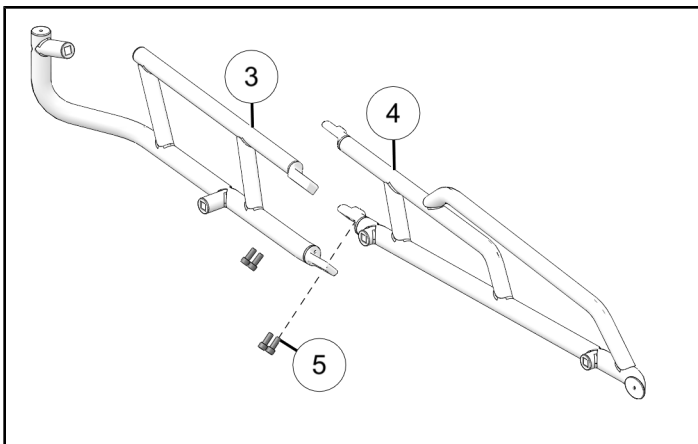
1. Loosely install front rock slider ④ to rear rock slider ③ with four fasteners ⑤.

Do not torque fasteners at this time.

- Low Profile Rock Sliders



- Nerf Bar Rock Sliders



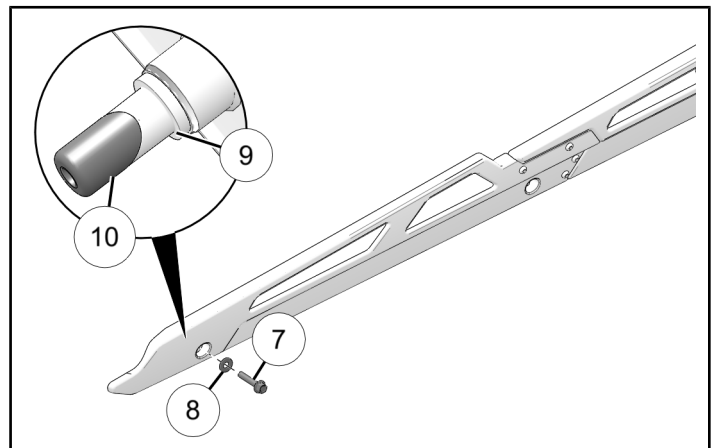
2. Loosely install one fastener ⑦ through washer ⑧, rock slider, unthreaded wedge anchor ⑨, and into threaded wedge anchor ⑩. Repeat for other anchor assemblies.

IMPORTANT

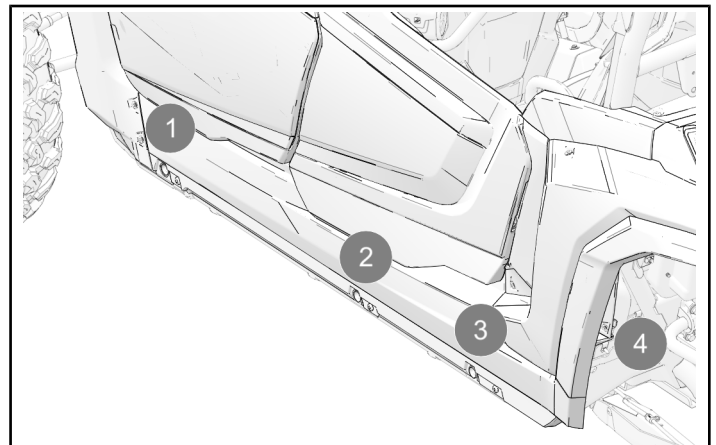
Make sure unthreaded wedge engages with rock slider mount.

TIP

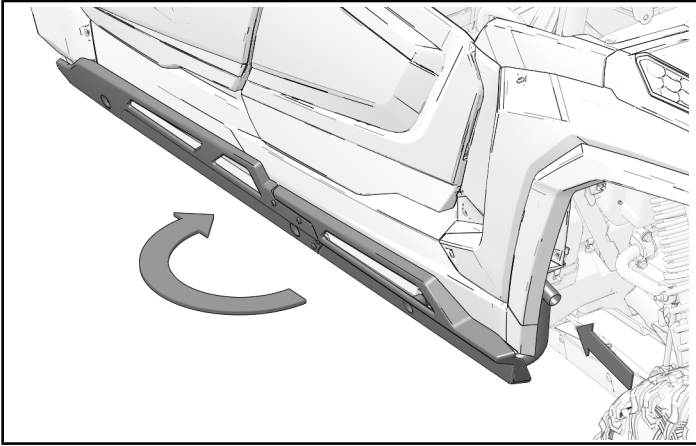
Wedge anchors are glued together to ease alignment and installation. Avoid twisting anchors and breaking anchors apart before installing into chassis.



3. Identify four mounting locations on vehicle.



4. Align rock slider with rear mounting location first and then swing the rock slider towards the vehicle to align the final three mounting locations.



5. Torque four fasteners ⑦ to specification.

TIP

This torque specification deforms the chassis mount slightly, reducing the risk of a fastener loosening upon impact. Torquing the fasteners again is required in the following step.

TORQUE

Rock Slider Fasteners ⑦ (anchor to vehicle):
74 ft-lbs (100 N·m)

6. Loosen fasteners and torque four fasteners ⑦ to the new specification.

TORQUE

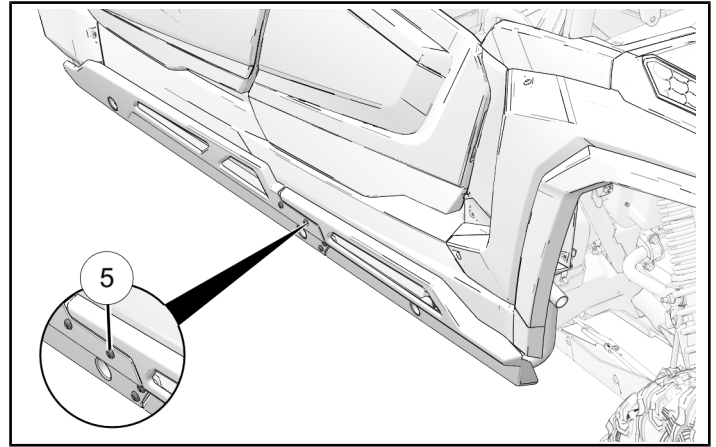
Rock Slider Fasteners ⑦ (anchor to vehicle):
50 ft-lbs (68 N·m)

7. Torque four rock slider fasteners ⑤ to specification.

- Low Profile Rock Sliders

TORQUE

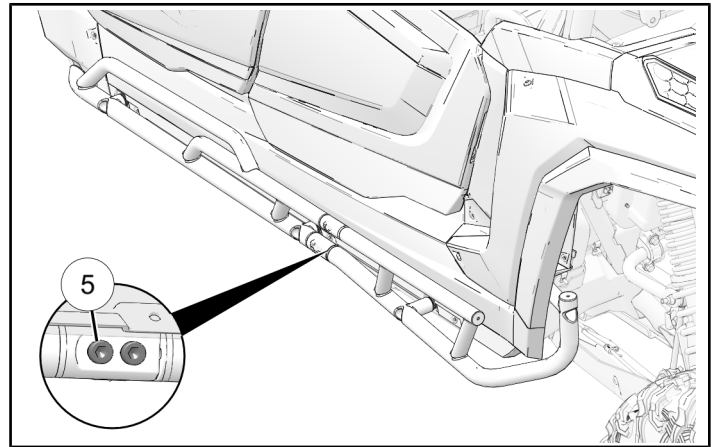
Rock Slider Fasteners ⑤ (front to rear):
16 ft-lbs (22 N·m)



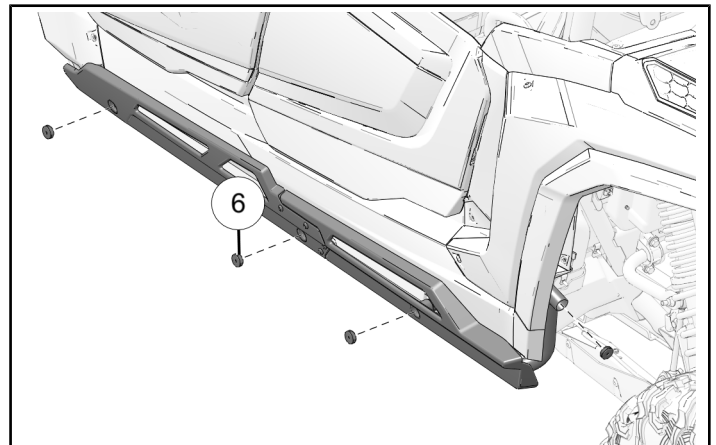
- Nerf Bar Rock Sliders

TORQUE

Rock Slider Fasteners ⑤ (front to rear):
30 ft-lbs (41 N·m)



8. Install four end cap plugs ⑥ into rock slider.



INSTRUCTION FEEDBACK FORM

A feedback form has been created for the installer to provide any comments, questions or concerns about the installation instructions. The form is viewable on mobile devices by scanning the QR code or by clicking [HERE](#) if viewing on a PC.

