

# ROCK SLIDERS KIT



P/N 2884472-XXX; 2884473-XXX

## BEFORE YOU BEGIN

Read these instructions and check to be sure all parts and tools are accounted for. Please retain these installation instructions for future reference and parts ordering information.

## ACCESSORY WEIGHT

Accessories, passengers, and other factors may negatively affect ride performance. Refer to your vehicle's owner's manual for maximum weight capacity and suspension adjustment procedures.

## APPLICATION

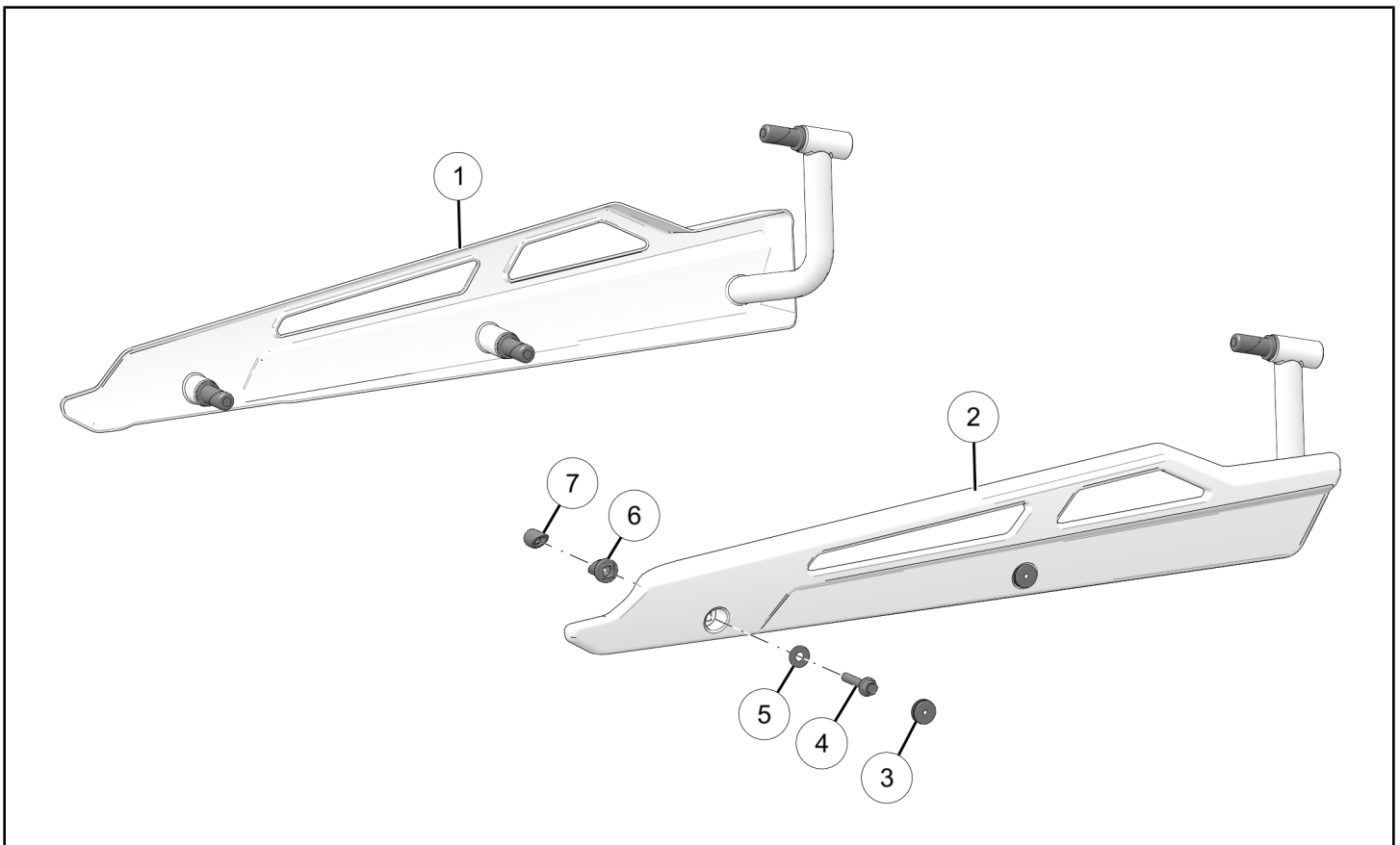
Verify accessory fitment at [www.polaris.com](http://www.polaris.com).

## KIT CONTENTS

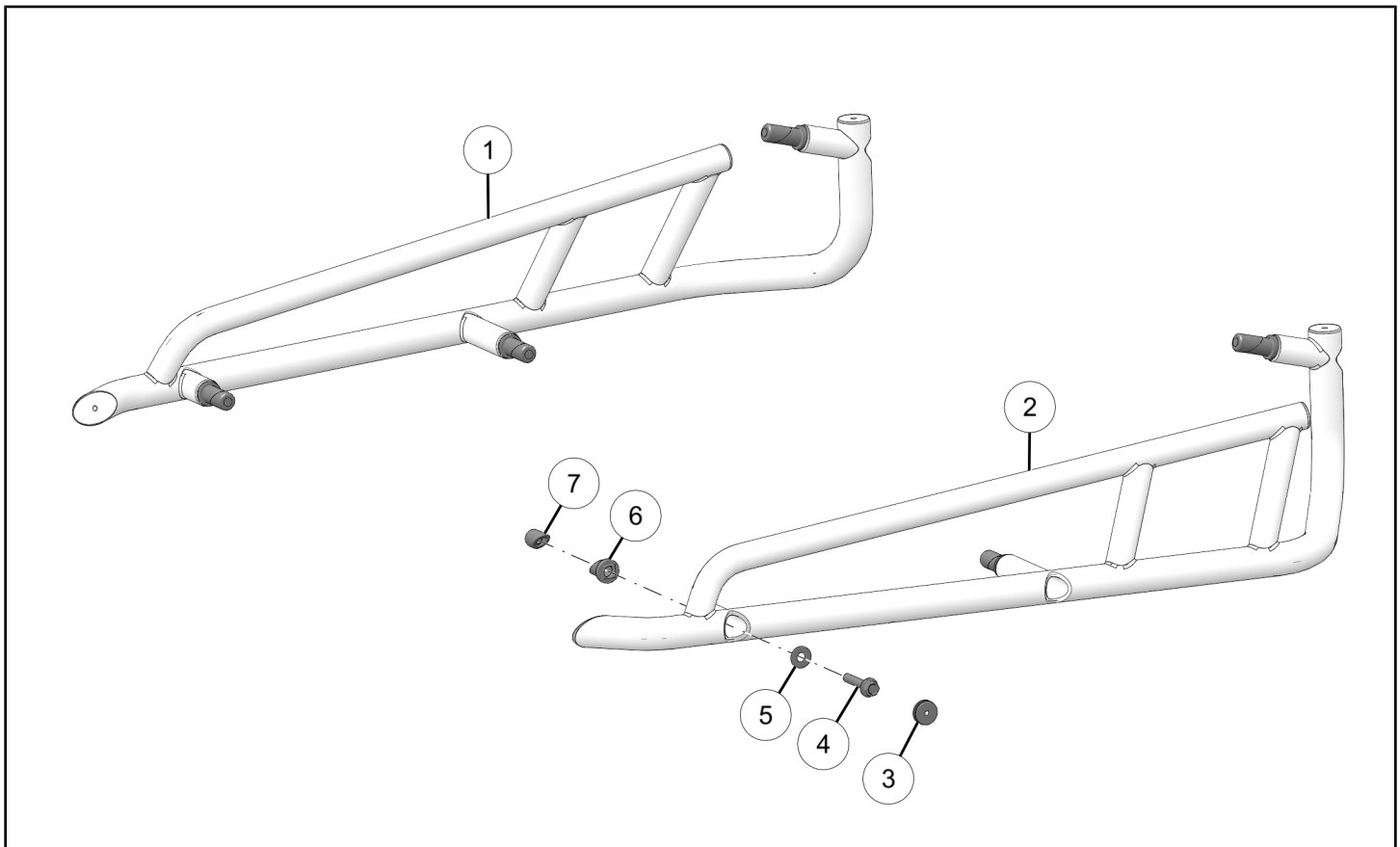
### NOTICE

XXX = Polaris® color code (For example: 458 = Black)

## LOW PROFILE ROCK SLIDERS P/N 2884472-XXX



## NERF BAR ROCK SLIDER P/N 2884473-XXX



REF	QTY	PART DESCRIPTION	P/N AVAILABLE SEPARATELY	AVAILABLE SERVICE KIT
1	1	Weldment–Rock Slider, Right-Hand	n/a	n/a
2	1	Weldment–Rock Slider, Left-Hand	n/a	n/a
3	6	Plug–End Cap	n/a	2209168
4	6	Screw–Hex Head Flange, M10 x 1.5 x 55 mm	n/a	2209168
5	6	Washer– 0.453 x 1.000 x 0.078 mm	n/a	2209168
6	6	Anchor–Wedge, Un-threaded	n/a	2209168
7	6	Anchor–Wedge, Threaded	n/a	2209168

### TOOLS REQUIRED

- Safety Glasses
- Socket Set, Metric
- Torque Wrench

### IMPORTANT

Your Rock Sliders Kit is exclusively designed for your vehicle. Please read the installation instructions thoroughly before beginning. Installation is easier if the vehicle is clean and free of debris. For your safety, and to ensure a satisfactory installation, perform all installation steps correctly in the sequence shown.

# INSTALLATION INSTRUCTIONS

## NOTICE

Low Profile Rock Slider shown; Nerf Bar Rock Slider similar.

## VEHICLE PREPARATION

### GENERAL

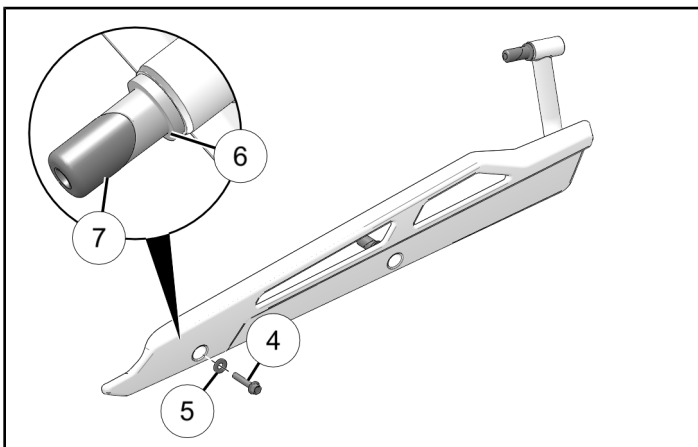
1. Park vehicle on a flat surface.
2. Shift vehicle into PARK.
3. Turn key to OFF position and remove key.

## ACCESSORY INSTALLATION

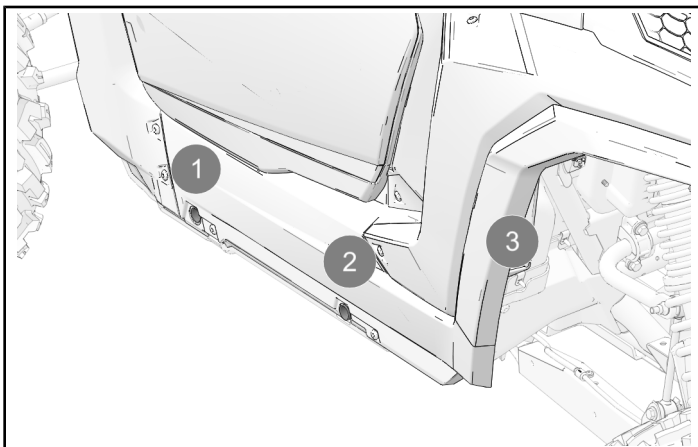
## NOTICE

Left rock slider shown; right rock slider similar.

1. Loosely install one fastener ④ through washer ⑤, rock slider, un-threaded wedge anchor ⑥, and into threaded wedge anchor ⑦. Repeat for other anchor assemblies.



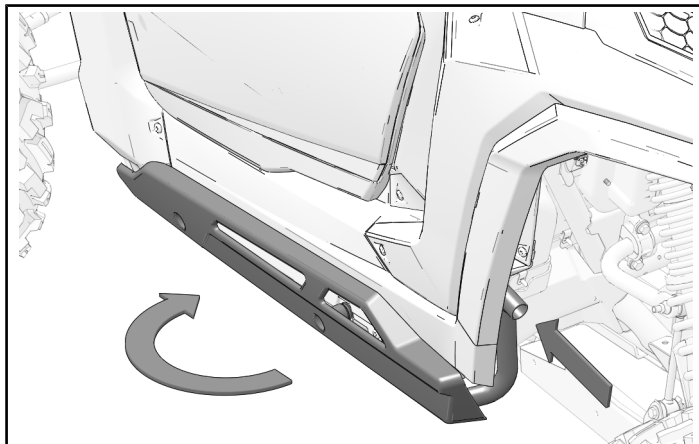
2. Identify three mounting locations on vehicle.



3. Align rock slider with rear mounting location first and then swing the rock slider towards the vehicle to align the final two mounting locations.

## IMPORTANT

Make sure each anchor assembly is fully inserted into chassis tubes.



4. Torque three fasteners ④ to specification.

## TIP

This torque specification deforms the chassis mount slightly, reducing the risk of a fastener loosening upon impact. Torquing the fasteners again is required in the following step.

## TORQUE

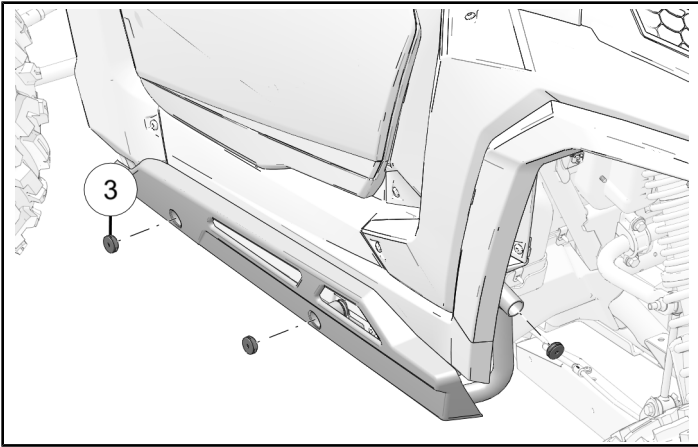
Rock Slider Fasteners ④:  
**74 ft-lbs (100 N·m)**

5. Loosen fasteners and torque three fasteners ④ to the new specification.

## TORQUE

Rock Slider Fasteners ④:  
**50 ft-lbs (68 N·m)**

6. Install three end cap plugs ③ into rock slider.



## INSTRUCTION FEEDBACK FORM

A feedback form has been created for the installer to provide any comments, questions or concerns about the installation instructions. The form is viewable on mobile devices by scanning the QR code or by clicking [HERE](#) if viewing on a PC.

