

HEATED/COOLED TOURING SEAT KIT



P/N 2884419-XXX; 2884558-XXX; 2884559-XXX

BEFORE YOU BEGIN

Read these instructions and check to be sure all parts and tools are accounted for. Please retain these installation instructions for future reference and parts ordering information.

APPLICATION

Verify accessory fitment at www.indianmotorcycle.com.

REQUIRED SOLD SEPARATELY

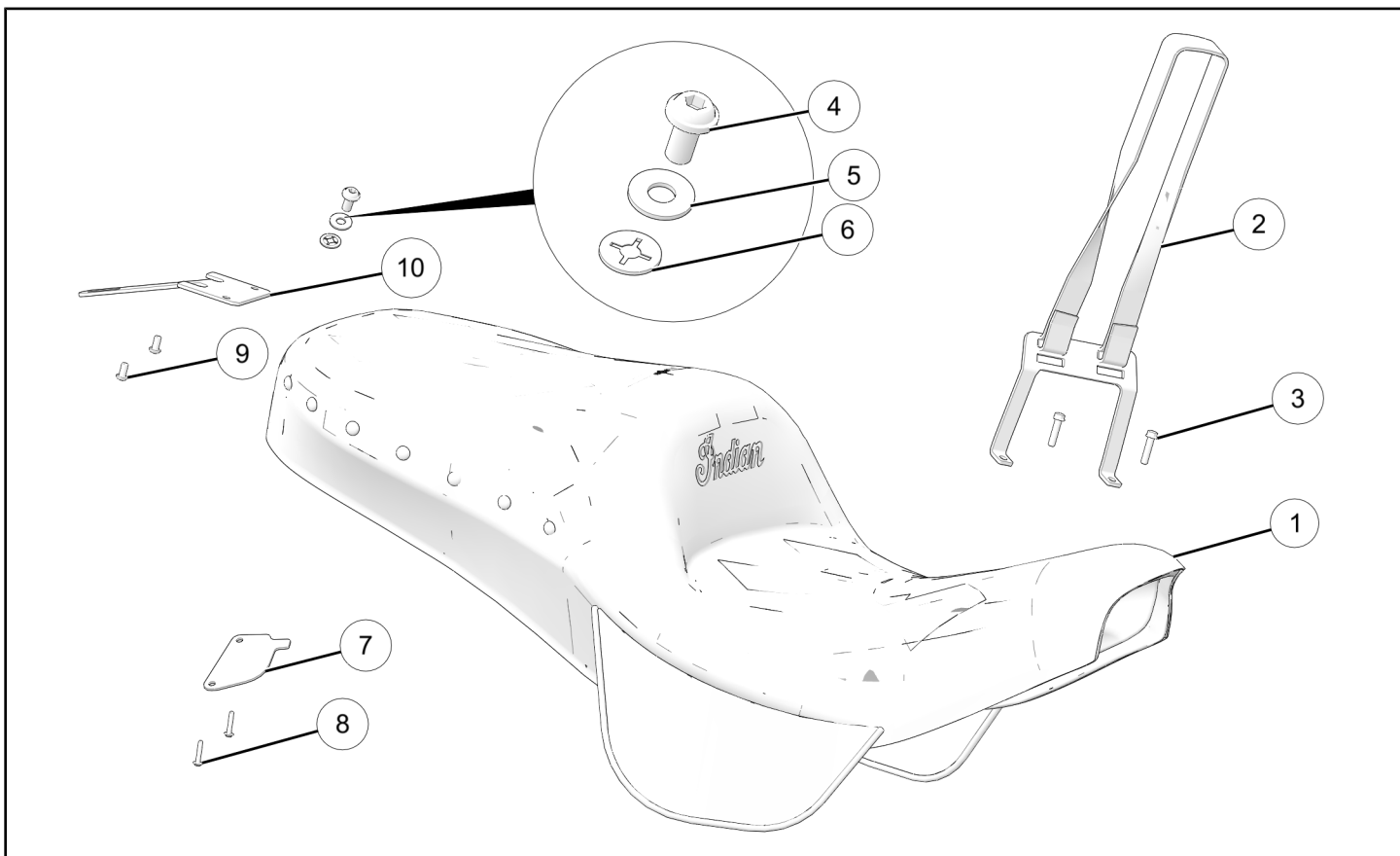
Only parts for installation of the Indian Motorcycle® Heated/Cooled Touring Seat Kit are included. For complete installation, some of the following additional kits may be required (sold separately). See accessory catalog for fitment chart.

- 16 to 2 pin Seat Adapter Harness, P/N 2415036
- 16 to 4 pin Seat Adapter Harness, P/N 2415746
- Quick Release Trunk Harness, 2 pin Seat Connector, P/N 2414641
- Quick Release Trunk Harness, 4 pin Set Connector, P/N 2415332

KIT CONTENTS

NOTICE

Kit P/N 2884419-XXX shown, other kits similar.



NOTICE

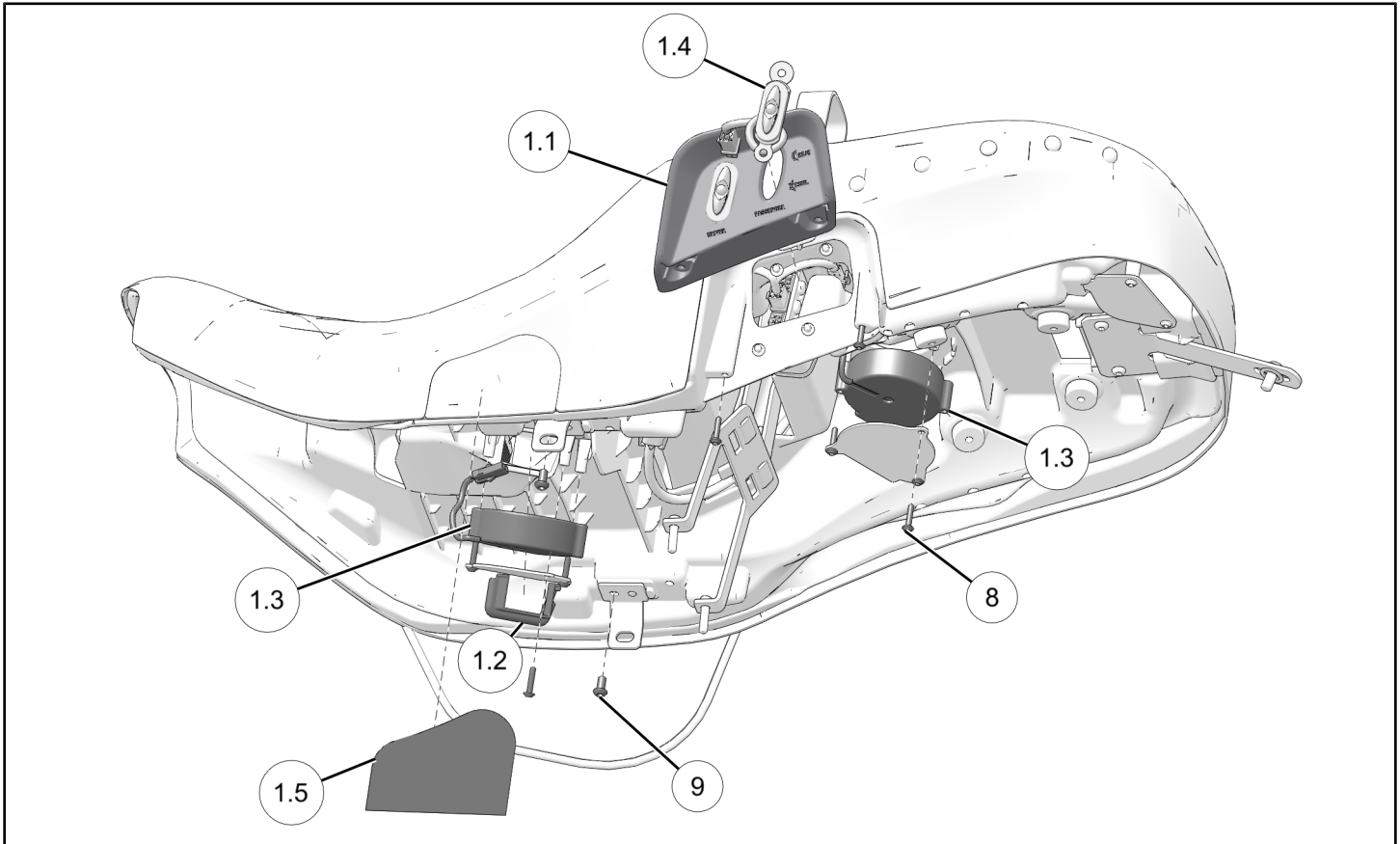
XXX =Indian® color code (For example: VBA = Black)

REF	QTY	PART DESCRIPTION	P/N AVAILABLE SEPARATELY
1	1	Seat Assembly, Heat-Cool	n/a
2	2	Strap-Seat, Passenger (Black)	n/a
3	2	Screw, Hex Flange Head, M6 x 1.0 x 25	7519297
4	1	Screw, Hex Button Head, M8 x 1.25 x 16	7520456
5	1	Washer, 8.4 x 20 x 1.6	7556969
6	1	Washer, M8 x 18.6 x 1.3 Self-Retaining, Nylon, Black	7556884
7	1	Panel, Trunk-Connector, Heat-Cool	5814871
8	2	Screw, Torx® Button Head Flange, M4 x 1.0 x 20	7521153
9	2	Screw, Hex Button Head, M6 x 1.0 x 12	7519000
10	1	Seat Bracket, Rear	5270564-XXX
11	1	Harness, Seat Jumper, 4 to 2 (Not shown)	2415866

NOTICE

Panel, Trunk-Connector ⑦ and Torx® screws ⑧ are only needed for motorcycles with a trunk.

SERVICE PART DETAIL



NOTICE

Seat flap hidden for clarity of image.

REF	QTY	PART DESCRIPTION	P/N AVAILABLE SEPARATELY
1	1	Seat Assembly, Heat-Cool	n/a
1.1	1	- Bezel, Switch, Kit PN 2884419 and 2884459 - Bezel, Switch, Kit PN 2884458	5456139 5456779
1.2	1	- Boot-fan, Seat, Heat-Cool	5417070
1.3	1	- Fan-Seat, Heat-Cool	4018574
1.4	1	- Switch-Seat, Heat-Cool	4018572
1.5	1	- FrogZskin®, Heat-Cool	2208277
8	8	Screw, Torx® Button Head Flange, M4 x 1.0 x 20	7521153
9	2	Screw, Hex Button Head, M6 x 1.0 x 12	7519000
10	1	Control Module, Heated and Cooled Seat (not shown)	2208921

TOOLS REQUIRED

- Safety Glasses
- Socket Set, Metric
- Socket Set, Hex Bit, Metric
- Torque Wrench

IMPORTANT

Your Indian Motorcycle® Heated/Cooled Touring Seat Kit is exclusively designed for your vehicle. Please read the installation instructions thoroughly before beginning. Installation is easier if the vehicle is clean and free of debris. For your safety, and to ensure a satisfactory installation, perform all installation steps correctly in the sequence shown.

INSTALLATION INSTRUCTIONS

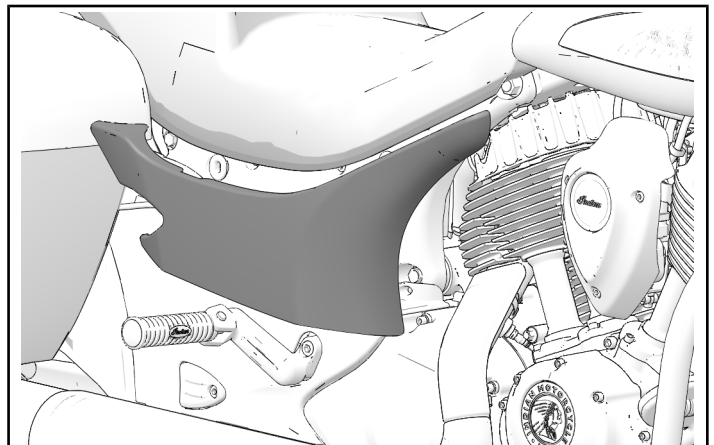
VEHICLE PREPARATION

GENERAL

1. Turn key or ignition switch to **OFF** position and remove key. If equipped with keyless fob, remove fob from proximity of vehicle.
2. Park motorcycle on a flat surface, fully extend kickstand, and make sure vehicle is stable prior to installation.
3. If equipped, remove trunk and store in a safe location.

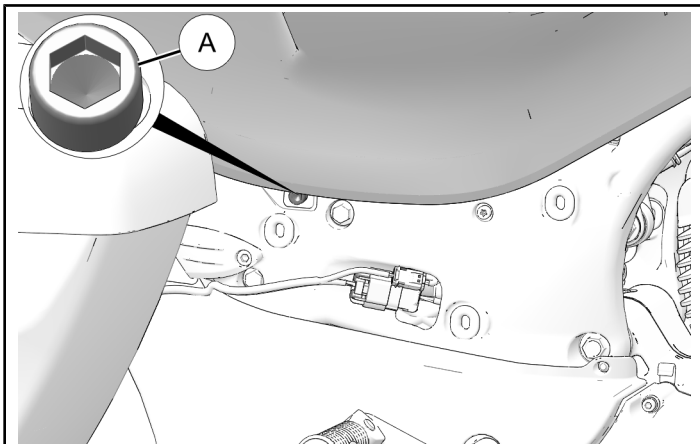
REMOVE SIDE COVERS

1. Remove side covers by grasping firmly and pulling outward. Carefully set aside.

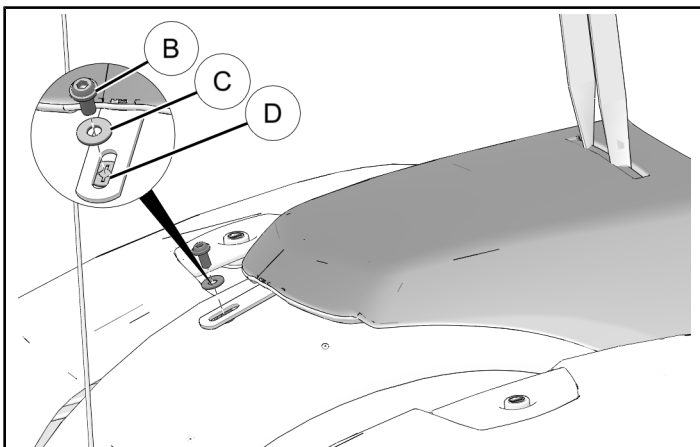


SEAT REMOVAL

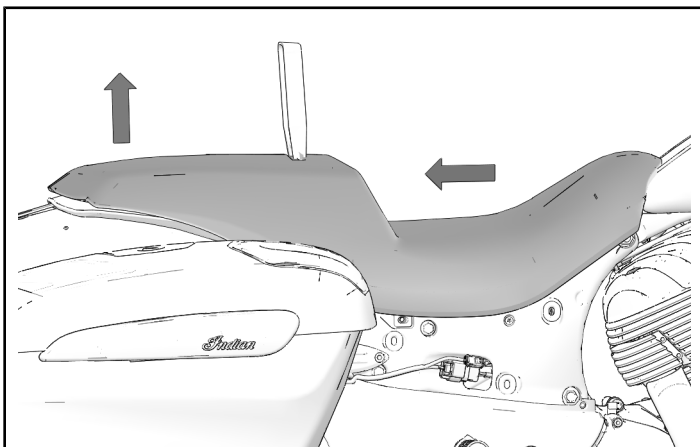
1. Remove and keep one bolt (A) from each side of seat.



2. If removing a touring (2-person) seat, remove one bolt (B) and two washers (C) and (D) from rear fender.

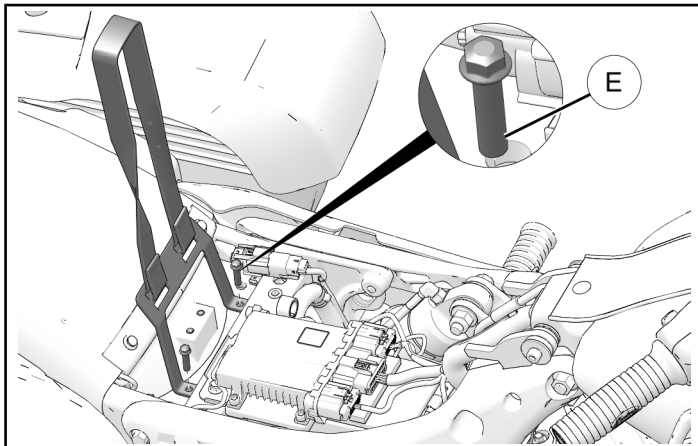


3. Slide seat rearward while lifting on rear and remove seat.



OPTIONAL

1. Remove seat strap, if equipped, by removing two screws (E).



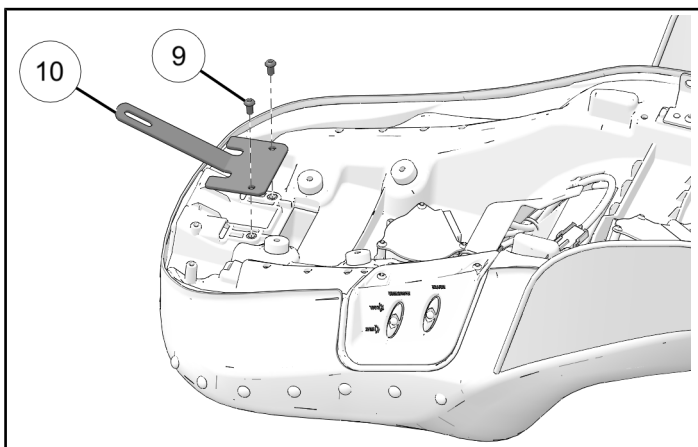
ACCESSORY INSTALLATION

REAR SEAT BRACKET INSTALLATION

1. Install rear seat bracket (10) using two screws (9). Torque to specification.

TORQUE

Rear Seat Bracket Screws (9):
36 in-lbs (4 N·m)

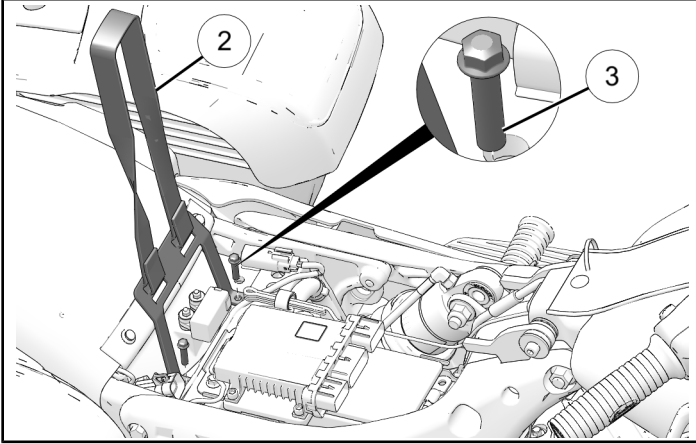


SEAT STRAP INSTALLATION (OPTIONAL)

1. Install seat strap ② using two screws ③. Torque screws to specification.

TORQUE

Seat Strap Screw ③:
90 in-lbs (10 N·m)



SEAT ADAPTER HARNESS INSTALLATION

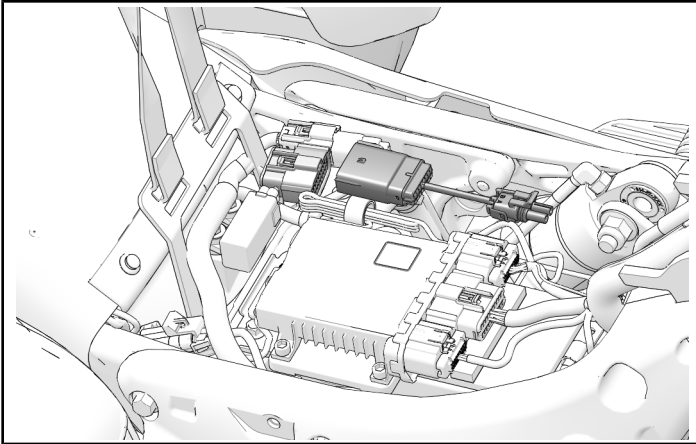
HARNESS FITMENT FOR MOTORCYCLES WITH TRUNK

YEAR	MODEL	RIDE COMMAND CAPABLE?	ADDITIONAL HARNESS NEEDED
2014–2019	All Models	N	n/a
2020 and Newer	Chieftain	Y	2415332
2020 and Newer	Roadmaster	Y	n/a
2019 and Newer	Springfield	N	n/a

HARNESS FITMENT FOR MOTORCYCLES WITHOUT TRUNK

YEAR	MODEL	RIDE COMMAND CAPABLE?	ADDITIONAL HARNESS NEEDED
2014–2018	All Models	N	n/a
2019	Chieftain	N	2415036
2020 and Newer	Chieftain	Y	2415746
2019 and Newer	Non-Chieftain Models	N	n/a

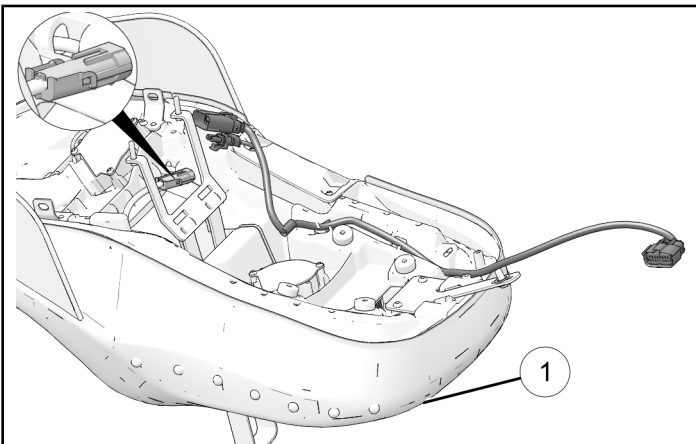
1. Connect large harness connector to open connector under seat near rear of motorcycle seating area.



2. Connect small connector from heated/cooled seat to harness connector.

TRUNK ADAPTER HARNESS INSTALLATION

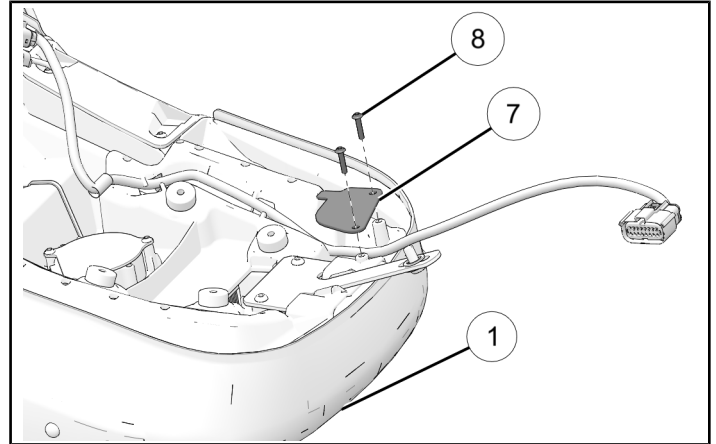
1. Connect harness connector to open connector in bottom of seat ①. Install harness as shown in image.



2. Install trunk-connector panel ⑦ with screws ⑧ to bottom of seat ①. Torque screws to specification.

TORQUE

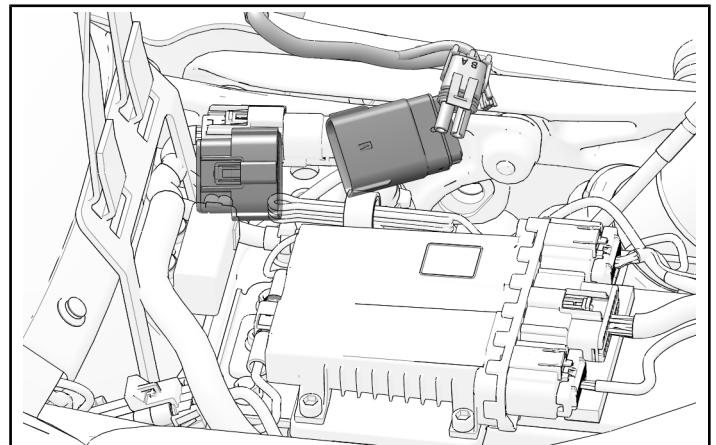
**Trunk-Connector Panel Screw ⑧:
13 in-lbs (1 N·m)**



3. Connect harness connector to open connector under seat near rear of motorcycle seating area.

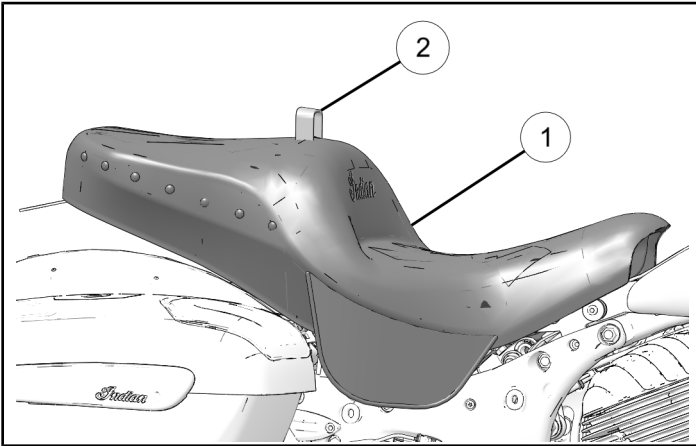
NOTICE

Seat hidden for clarity of image.



HEATED/COOLED SEAT INSTALLATION

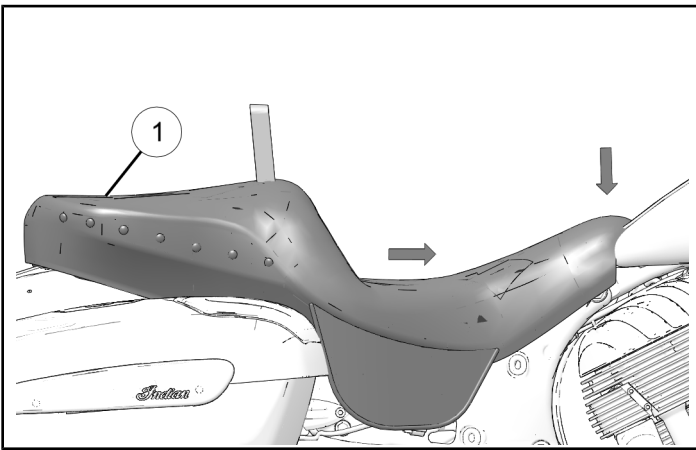
1. Install seat strap ② through slot in bottom of seat through top of seat ①.



2. Install seat onto motorcycle approximately 1.5 inches (3.8 cm) to rear of mounted position. Press down at nose of seat and slide forward to engage frame tabs. Pull up on front of seat to make sure tabs are engaged.

IMPORTANT

Seat front should be secure to motorcycle.



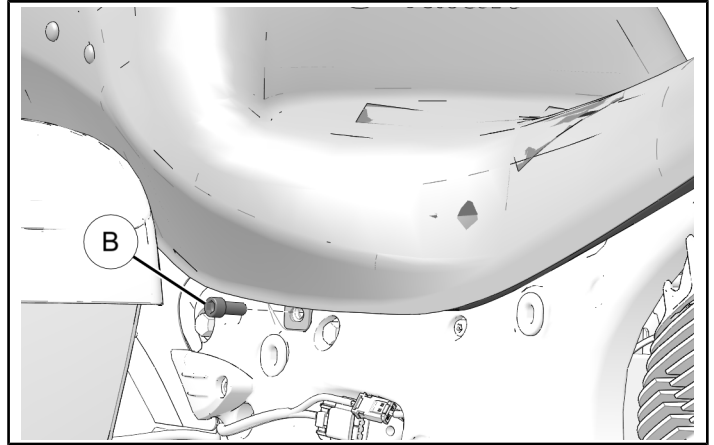
3. Install retained screws ③ to affix seat to motorcycle. Torque screws to specification.

NOTICE

Seat flap hidden for clarity of image.

TORQUE

Seat screw ③:
18 ft-lbs (24 N·m)



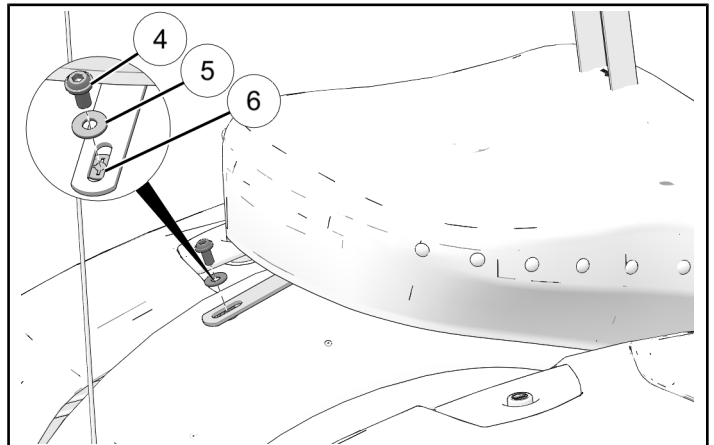
4. Install rear seat mounting screw ④ and washers ⑤ and ⑥. Torque screw to specification.

NOTICE

Plastic washer ⑥ is installed *between* fender and metal tab.

TORQUE

Rear Seat Mounting Screw ④:
90 in-lbs (10 N·m)



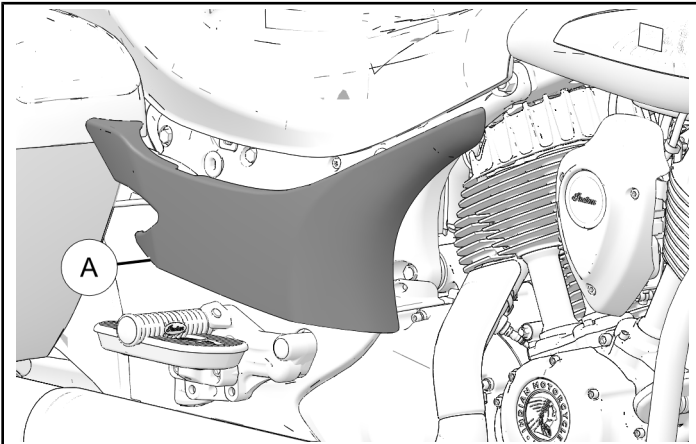
VEHICLE REASSEMBLY

GENERAL

1. Reinstall side covers by aligning tabs and firmly pressing into place.

NOTICE

Seat flap hidden for clarity of image.



2. Reinstall trunk (if equipped).

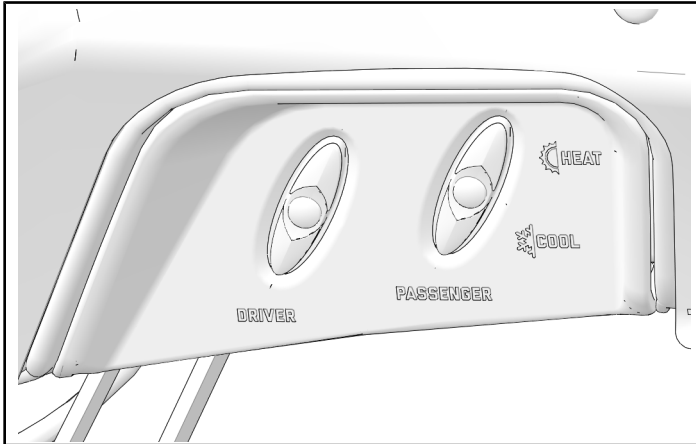
⚠ WARNING

Seat must be properly installed for safe operation of motorcycle. Failure to properly install seat may lead to loss of control and result in serious injury or death.

OPERATION

SWITCH FUNCTIONS

Switches are located on left hand side of seat. Front switch is for driver seat, rear switch is for passenger seat. Within each heating and cooling mode, there are three settings: Low, Medium, and High.



NOTICE

To change from Heat mode to Cool mode, or Cool mode to Heat mode, first turn off seat by pushing the center OFF button.

COOLING

Push the down button once to activate Low cool mode. Once activated, push up or down to cycle through Low, Medium, and High cool modes.

NOTICE

Push and hold the down button for two seconds to activate High cool mode.

INSTRUCTION FEEDBACK FORM

A feedback form has been created for the installer to provide any comments, questions or concerns about the installation instructions. The form is viewable on mobile devices by scanning the QR code or by clicking [HERE](#) if viewing on a PC.



HEATING

Push the up button once to activate Low heat mode. Once activated, push up or down to cycle through Low, Medium, and High heat modes.

NOTICE

Push and hold the up button for two seconds to activate High heat mode.

MODEL YEAR 20 AND NEWER MOTORCYCLES WITH RIDE COMMAND®

A brief pop-up will appear on the Ride Command® touchscreen display when any of the switches are pressed. You can adjust seat temperatures from this screen.

