

VEHICLE-TO-VEHICLE ANTENNA KIT



P/N 2884449

APPLICATION

Verify accessory fitment at www.polaris.com.

BEFORE YOU BEGIN

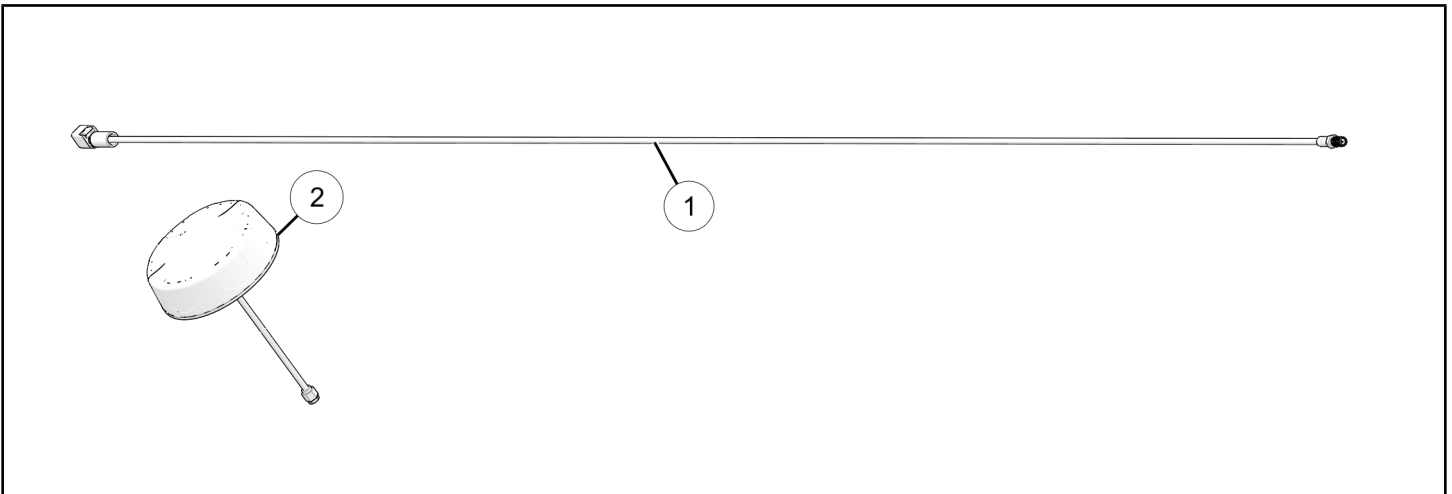
Read these instructions and check to be sure all parts and tools are accounted for. Please retain these installation instructions for future reference and parts ordering information.

REQUIRED SOLD SEPARATELY

Only parts for installation of the Vehicle-To-Vehicle Antenna Kit are included. For complete installation, the following additional kit/part is required (sold separately):

- *Ride Command*® Display, P/N 2884002

KIT CONTENTS



REF	QTY	PART DESCRIPTION	P/N AVAILABLE SEPARATELY
1	1	Harness–V2V, Antenna-Display	2414726
2	1	Antenna–V2V	4018713
3	2	Cable Tie (not shown)	7080138

TOOLS REQUIRED

- Safety Glasses
- Drill
- Drill Bit:
 - 17 mm
- Pliers, Push Pin Rivet
- Screwdriver Set, Torx®
- Socket Set, Torx® Bit
- Torque Wrench

IMPORTANT

Your Vehicle-To-Vehicle Antenna Kit is exclusively designed for your vehicle. Please read the installation instructions thoroughly before beginning. Installation is easier if the vehicle is clean and free of debris. For your safety, and to ensure a satisfactory installation, perform all installation steps correctly in the sequence shown.

INSTALLATION INSTRUCTIONS

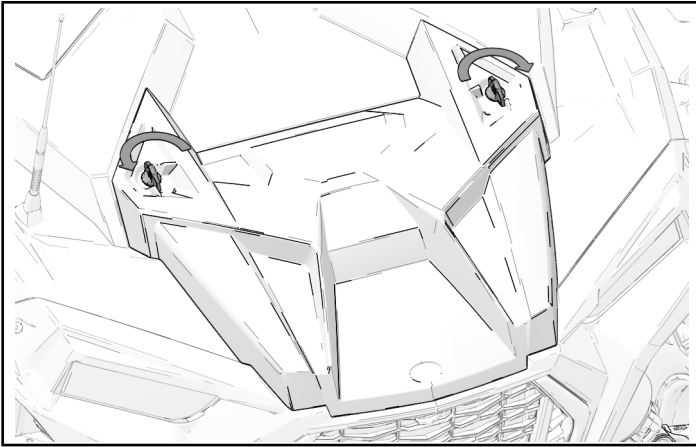
VEHICLE PREPARATION

GENERAL

1. Shift vehicle transmission into PARK. Turn key to OFF position and remove from vehicle.

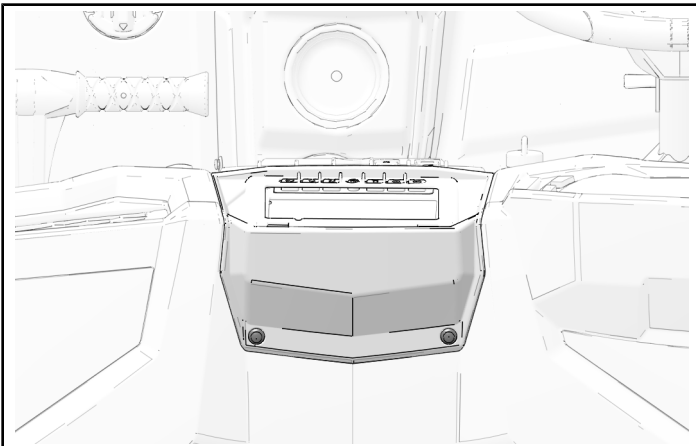
HOOD REMOVAL

1. Turn two 1/4-turn knobs to disengage hood from front fascia.

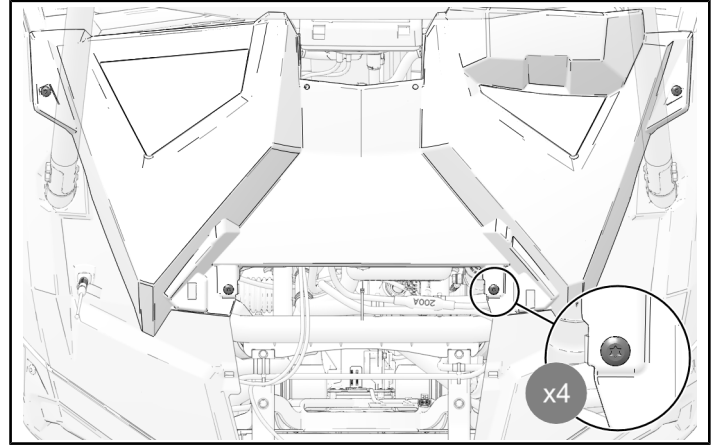


TOP DASHBOARD PANEL REMOVAL

1. Remove two push-pin rivets from top of display/storage bezel.



2. Remove four fasteners from top dashboard panel. Remove panel from vehicle.



ACCESSORY INSTALLATION

ANTENNA INSTALLATION

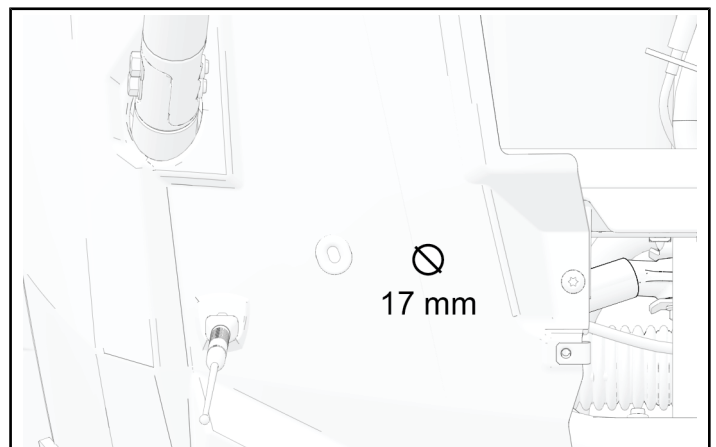
1. Drill 17 mm hole into top fascia panel, as shown.

CAUTION

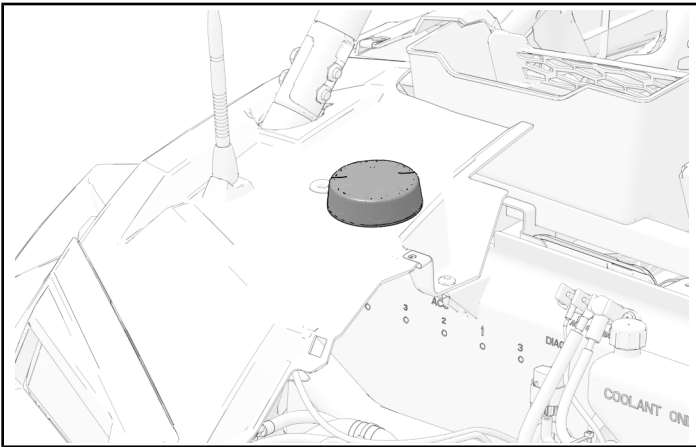
Control tool depth. Ensure tool is clear of all other parts and components to prevent damage to vehicle.

IMPORTANT

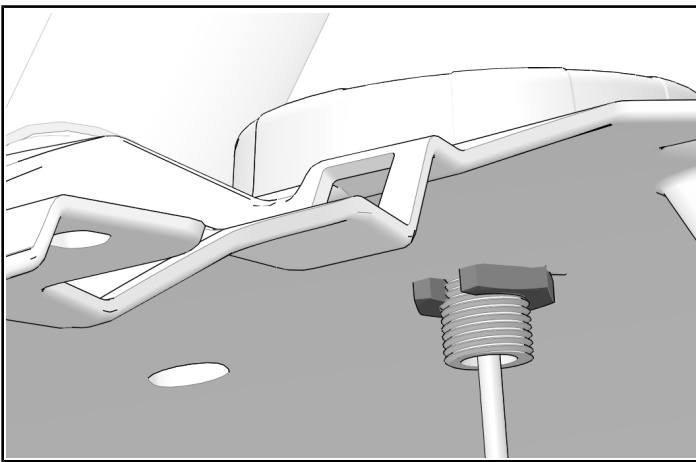
Exact drilling location is not critical. Ensure placement allows for antenna to be installed without interfering with reinstalling front fascia panels and antenna harness spans display unit to antenna.



2. Install vehicle-to-vehicle (V2V) antenna into drilled hole.

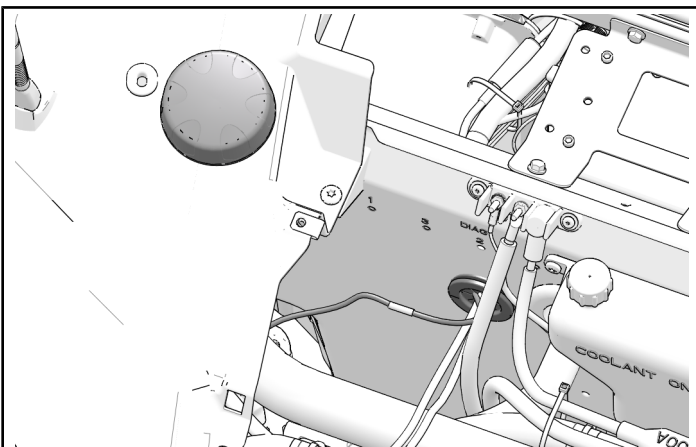


3. Secure V2V antenna with slip-nut.

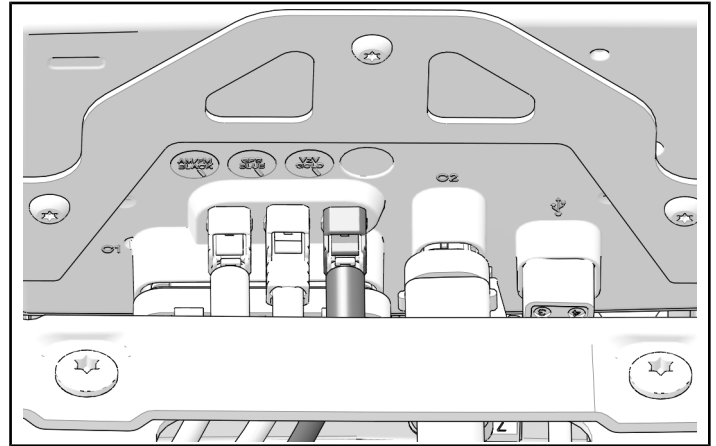


ANTENNA HARNESS ROUTING

1. Join V2V antenna cable to coaxial connector of antenna harness.
2. Route antenna harness through rubber grommet in front cab panel.



3. Route antenna harness to Ride Command® display. Connect antenna harness to back of Ride Command® display.



4. Secure antenna harness to chassis harness with cable ties ③.

VEHICLE REASSEMBLY

GENERAL

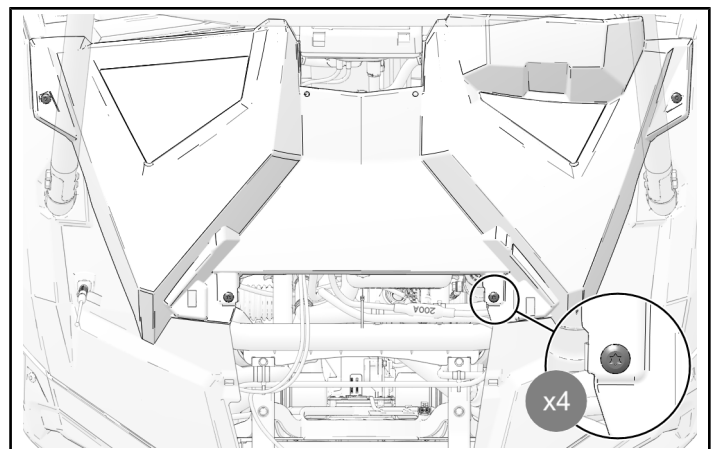
1. Verify vehicle-to-vehicle antenna is properly connected to Ride Command® display unit and operates properly before proceeding with vehicle reassembly procedures.

TOP DASHBOARD PANEL INSTALLATION

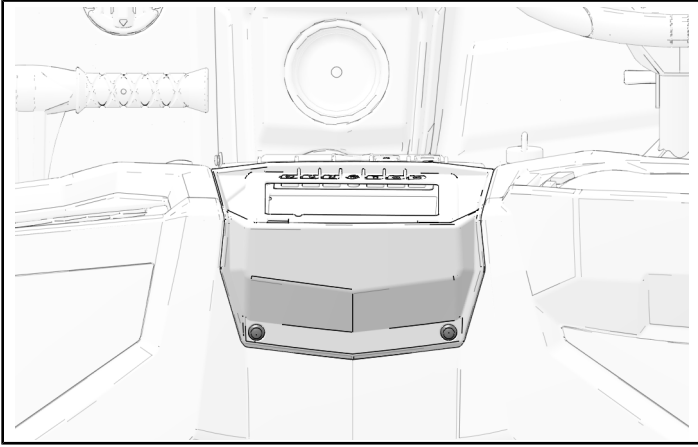
1. Install top dashboard panel with four retained fasteners.

TORQUE

Dashboard Panel Fasteners:
8 ft-lb (11 Nm)

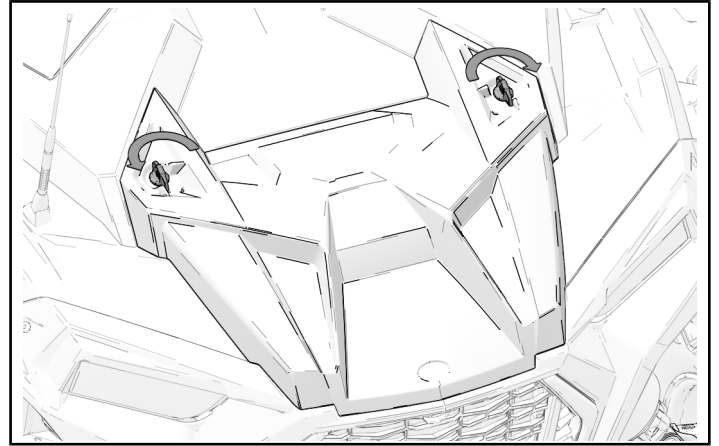


2. Install top display/storage bezel to top dashboard panel with two push-pin rivets.



HOOD INSTALLATION

1. Turn two 1/4-turn knobs to securely engage hood to front fascia.



FEEDBACK FORM

A feedback form has been created for the installer to provide any comments, questions or concerns about the installation instructions. The form is viewable on mobile devices by scanning the QR code or by clicking [HERE](#) if viewing on a PC.

