

30 QT. COOLER MOUNT KIT



P/N 2884070

APPLICATION

Verify accessory fitment at Polaris.com.

BEFORE YOU BEGIN

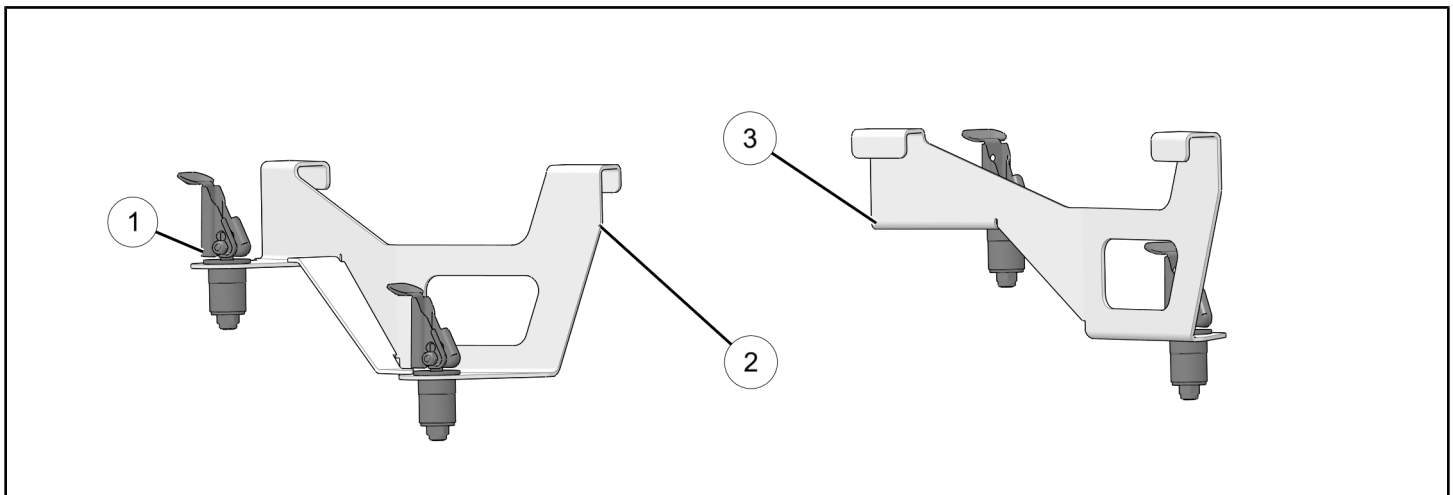
Read these instructions and check to be sure all parts and tools are accounted for. Please retain these installation instructions for future reference and parts ordering information.

REQUIRED SOLD SEPARATELY

Only parts for installation of the 30 Qt. Cooler Mount Kit are included. For complete installation, the following additional kit is required (sold separately):

- *Polaris Northstar® 30 Qt. Cooler*, P/N 2883424, 2881315

KIT CONTENTS



REF	QTY	PART DESCRIPTION	P/N AVAILABLE SEPARATELY
1	4	Kit, Lock & Ride® Anchor	2876420
1.1	4	- Handle, Lock & Ride® Anchor	n/a
1.2	4	- Bushing, Rubber, Lock & Ride® Anchor	5413598
1.3	4	- Washer, Plastic, Lock & Ride® Anchor	5437777
1.4	4	- Bushing, Plastic, Lock & Ride® Anchor	n/a
1.5	4	- Screw–Pan Head, #8–32 x 3/4 in.	7511875
1.6	4	- Nut–Nylon Locking	7547004
1.7	4	- Nut–Nylon Locking, 5/16”–24	7547217
1.8	4	- Washer, 8.3 mm x 22 mm x 2.0 mm	n/a
1.9	4	- Shaft, Lock & Ride®	n/a
2	1	Bracket–Mount, Cooler, 30 Qt., Left-Hand	n/a
3	1	Bracket–Mount, Cooler, 30 Qt., Right-Hand	n/a

TOOLS REQUIRED

None

IMPORTANT

Your 30 Qt. Cooler Mount Kit is exclusively designed for your vehicle. Please read the installation instructions thoroughly before beginning. Installation is easier if the vehicle is clean and free of debris. For your safety, and to ensure a satisfactory installation, perform all installation steps correctly in the sequence shown.

INSTALLATION INSTRUCTIONS

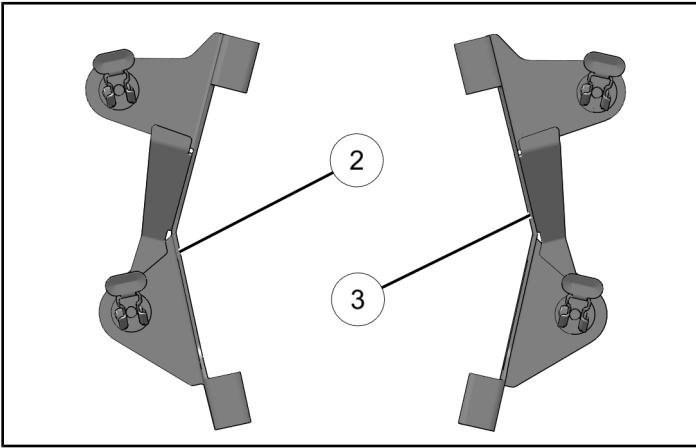
VEHICLE PREPARATION

GENERAL

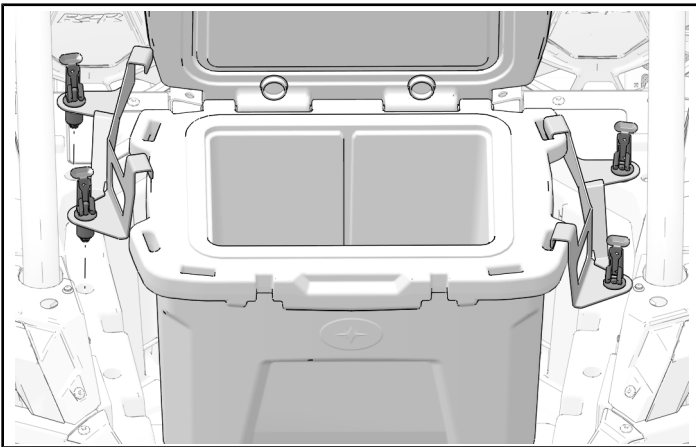
1. Shift vehicle transmission into PARK. Turn key to OFF position and remove from vehicle.

ACCESSORY INSTALLATION

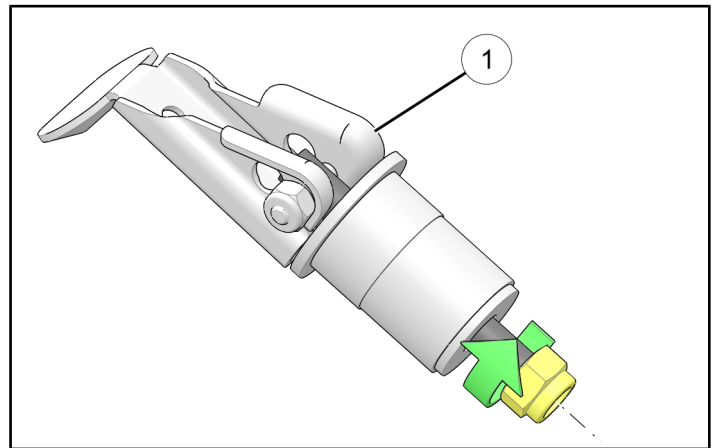
1. Identify left-hand bracket ② and right-hand bracket ③.



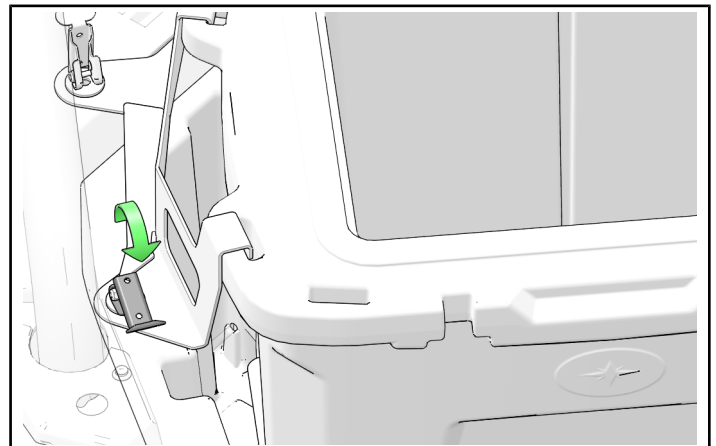
2. Place cooler in cargo box of vehicle and open lid. Hook brackets onto each side of cooler and align four Lock & Ride® with mounting holes on cargo box.



3. Lock & Ride® assemblies ① may need adjustment. Tighten or loosen bottom nut depending on fitment.



4. With brackets and anchors aligned, close each Lock & Ride® clamp.



5. Close cooler lid.

FEEDBACK FORM

A feedback form has been created for the installer to provide any comments, questions or concerns about the installation instructions. The form is viewable on mobile devices by scanning the QR code or by clicking [HERE](#) if viewing on a PC.

