

# FRONT CAMERA KIT



P/N 2884432

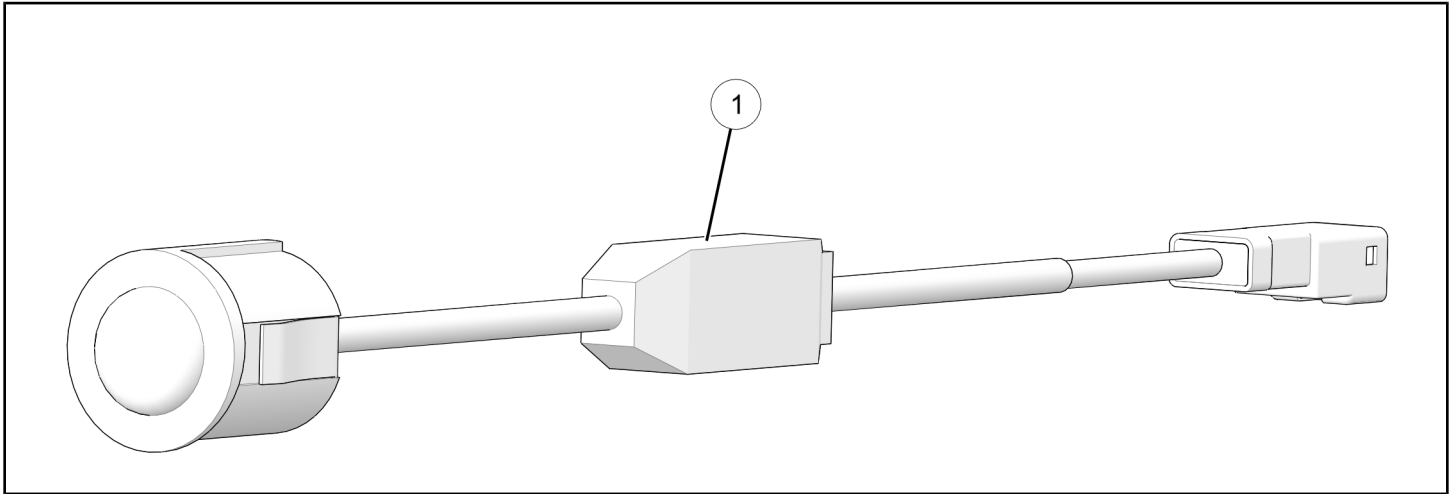
## APPLICATION

Verify accessory fitment at [www.polaris.com](http://www.polaris.com).

## BEFORE YOU BEGIN

Read these instructions and check to be sure all parts and tools are accounted for. Please retain these installation instructions for future reference and parts ordering information.

## KIT CONTENTS



REF	QTY	PART DESCRIPTION	P/N AVAILABLE SEPARATELY
1	1	Camera–Front, Wide Angle	4016639

## TOOLS REQUIRED

- Safety Glasses
- Screwdriver Set, Torx®
- Socket Set, Torx® Bit
- Torque Wrench

## CONSUMABLES REQUIRED

- Tape, Masking

## IMPORTANT

Your Front Camera Kit is exclusively designed for your vehicle. Please read the installation instructions thoroughly before beginning. Installation is easier if the vehicle is clean and free of debris. For your safety, and to ensure a satisfactory installation, perform all installation steps correctly in the sequence shown.

# RZR® PRO XP INSTALLATION INSTRUCTIONS

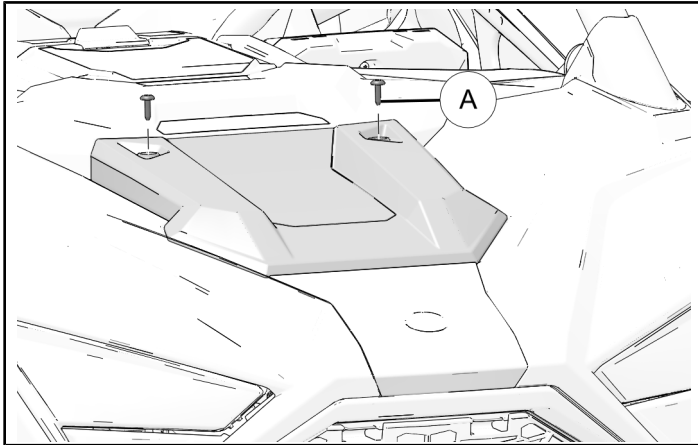
## VEHICLE PREPARATION

### GENERAL

1. Shift vehicle transmission into PARK. Turn key to OFF position and remove from vehicle.

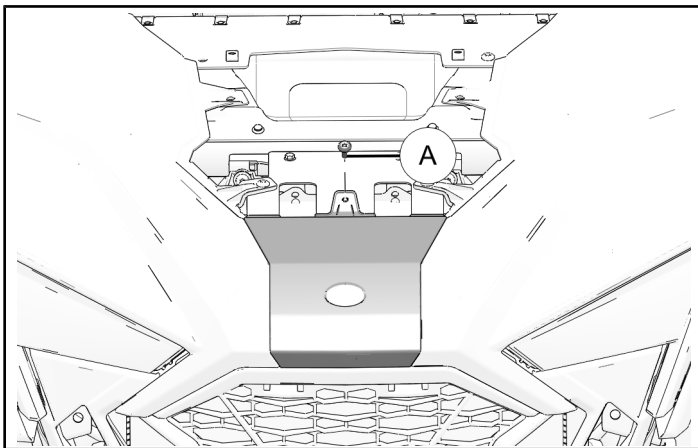
### CENTER HOOD PANEL REMOVAL

1. Remove and retain two hood fasteners (A). Slide hood towards rear of vehicle to remove.



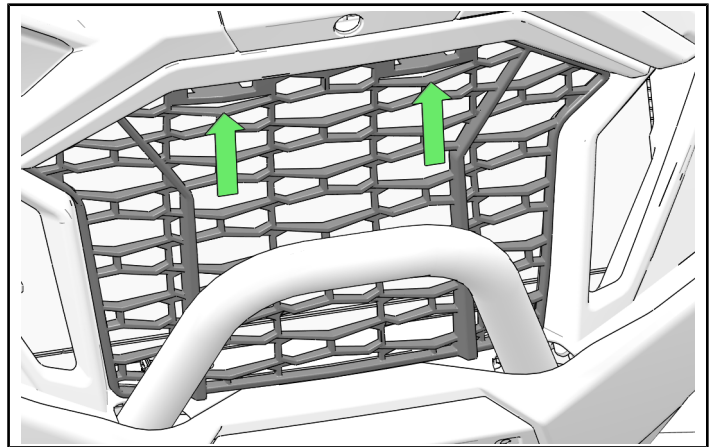
### FRONT HOOD PANEL REMOVAL

1. Remove and retain one fastener (A) to remove front hood panel.

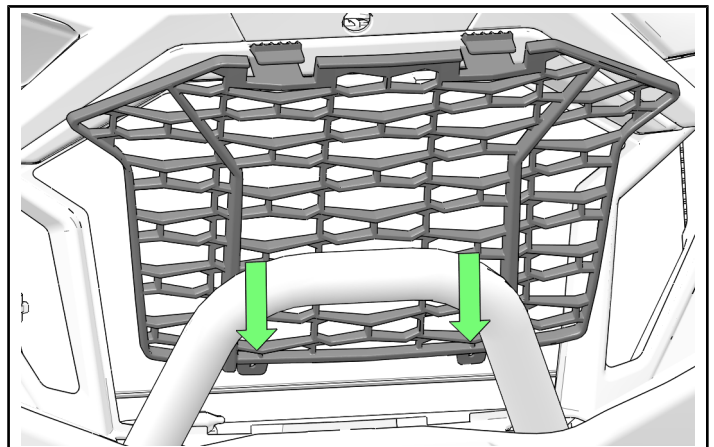


### GRILLE REMOVAL

1. Pull down on two tabs, located on top-edge of grille.



2. Tip grille forward and pull out until bottom tabs are clear of front fascia and bull bumper.



### ACCESSORY INSTALLATION

#### HOOD PANEL PREPARATION

1. Detach template page located at the end of this instruction.
2. Locate REFERENCE DIMENSION on template page.

Verify REFERENCE DIMENSION is exact and template was properly printed to scale.

#### IMPORTANT

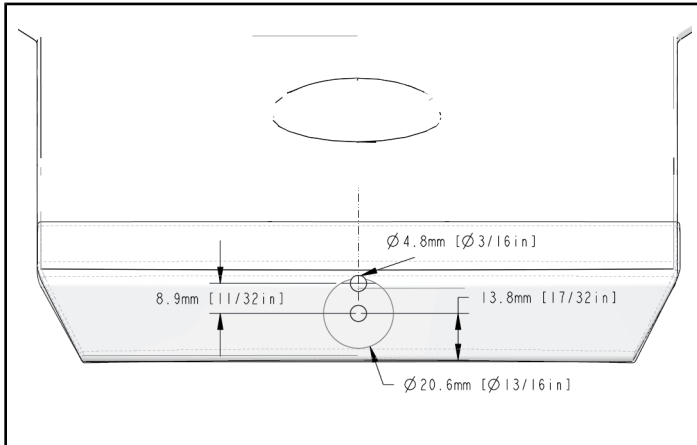
If REFERENCE DIMENSION is not exact, reprint template page from electronic file. Adjust print setting to “**Actual Size**” to obtain 1:1 scale. Electronic file available from your **Authorized Polaris® Dealer**.

3. Cut out template along outer border.

- Align template with front hood panel. Use tape to hold template in place.
- Mark two holes in plastic according to template with pick or equivalent tool. Remove template and drill holes using 3/16 in. drill bit.

**MEASUREMENT**

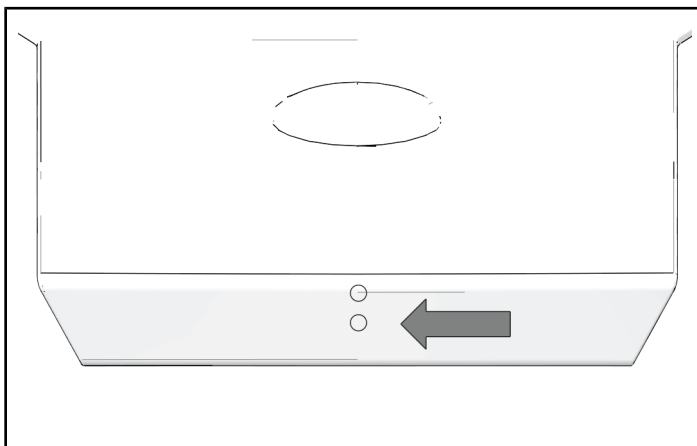
Drill Bit:  
**3/16 in.**



- Drill out center hole with 13/16 in. hole saw.

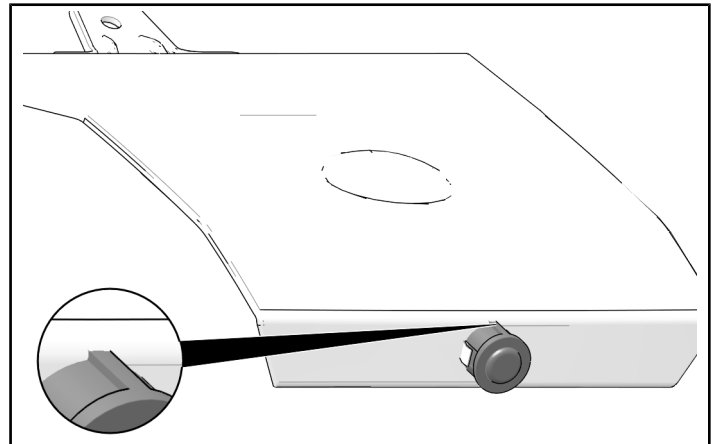
**MEASUREMENT**

Hole Saw:  
**13/16 in.**

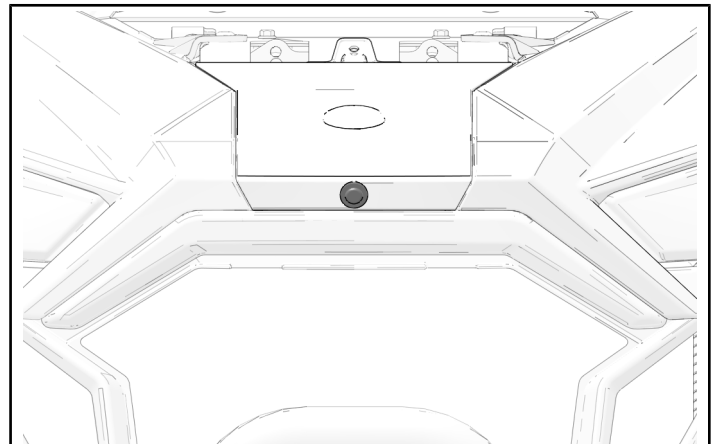


## FRONT CAMERA INSTALLATION

- Slide front camera into hood panel. Ensure camera spline slides into top notch, created in previous section.



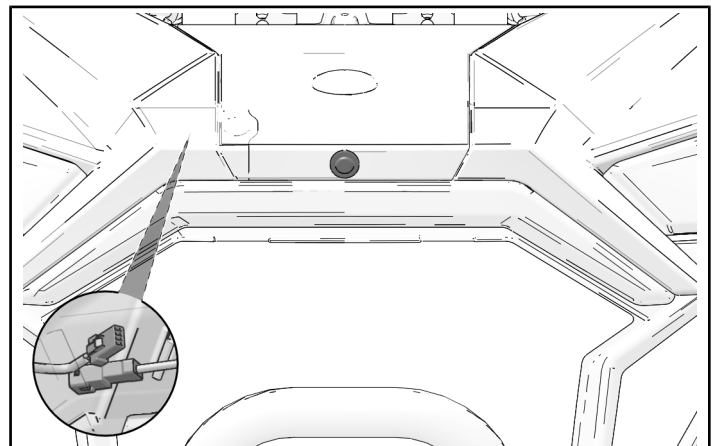
- Replace hood panel to installed position.



- Join camera connector to chassis harness connector.

**TIP**

Access connectors through grille opening.



## VEHICLE REASSEMBLY

### GENERAL

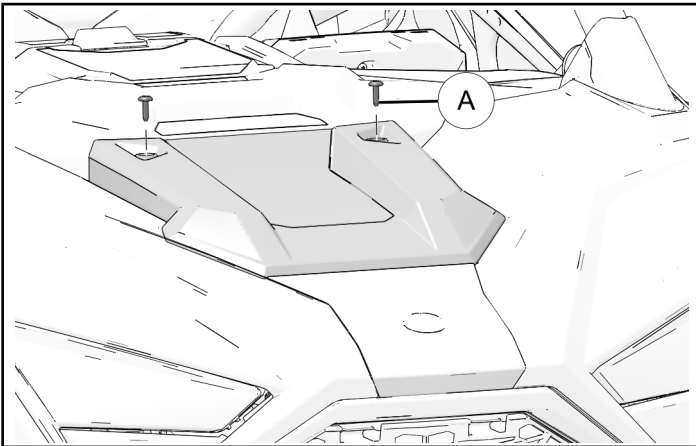
1. Ensure front camera operates properly before proceeding with reassembly procedures.

### CENTER HOOD PANEL INSTALLATION

1. Slide panel forward until tabs slide into front hood panel and install with two hood fasteners (A).

#### TORQUE

Hood Fasteners (A):  
**89 in-lbs (10 N·m)**

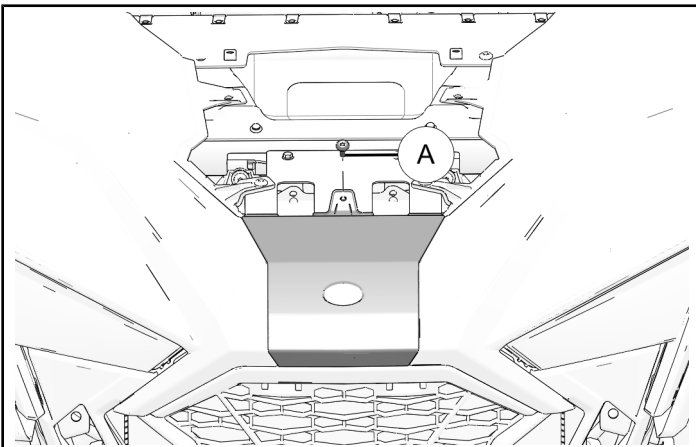


### FRONT HOOD PANEL INSTALLATION

1. Reinstall hood nose panel with one fastener (A).

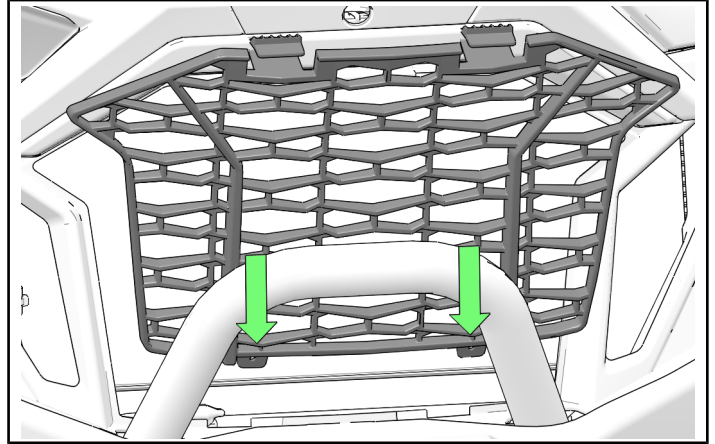
#### TORQUE

Hood Fastener (A):  
**89 in-lbs (10 N·m)**

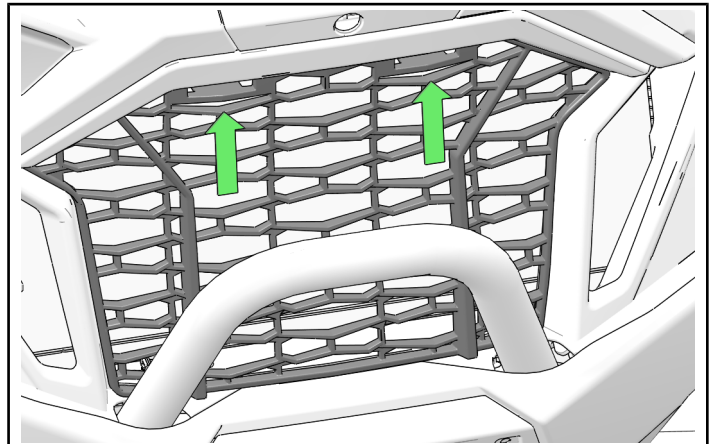


### GRILLE INSTALLATION

1. Tip bottom of grille into front fascia.



2. Push top of grille into front fascia until two tabs engage with fascia and are secure.



## OTHER MODELS: INSTALLATION INSTRUCTIONS

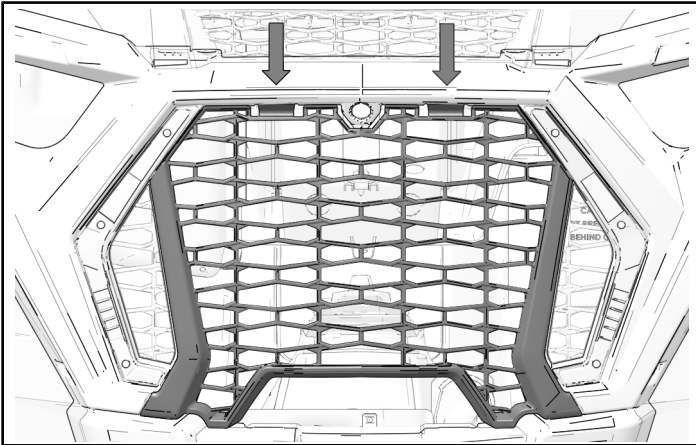
### VEHICLE PREPARATION

#### GENERAL

1. Shift vehicle transmission into PARK. Turn key to OFF position and remove from vehicle.

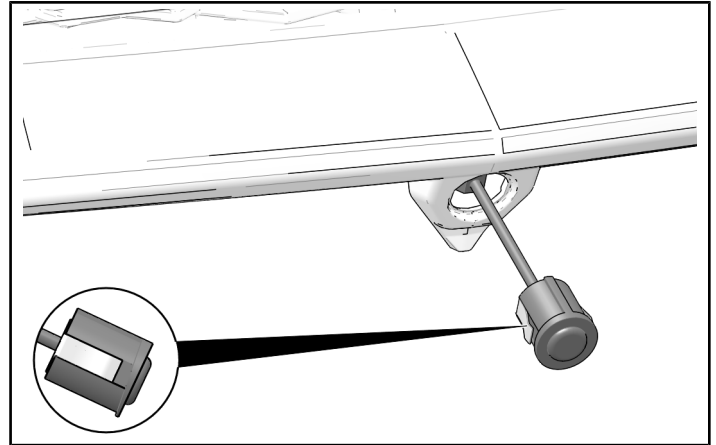
#### GRILLE REMOVAL

1. Carefully push down on two tabs to disengage grille from front fascia. Tilt top outward to remove from vehicle.



### ACCESSORY INSTALLATION

1. Pass front camera through opening in front fascia until side tabs snap into place.

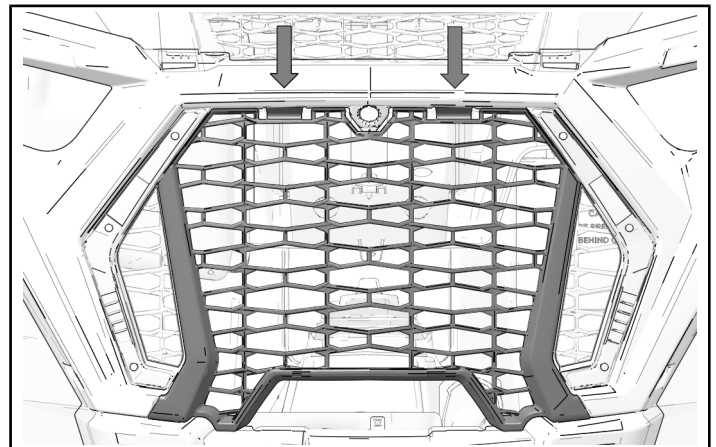


2. Join camera connector to Ride Command® harness.

### VEHICLE REASSEMBLY

#### GRILLE INSTALLATION

1. Tilt bottom of grille into front fascia. Push top into place until top tabs engage with front fascia.

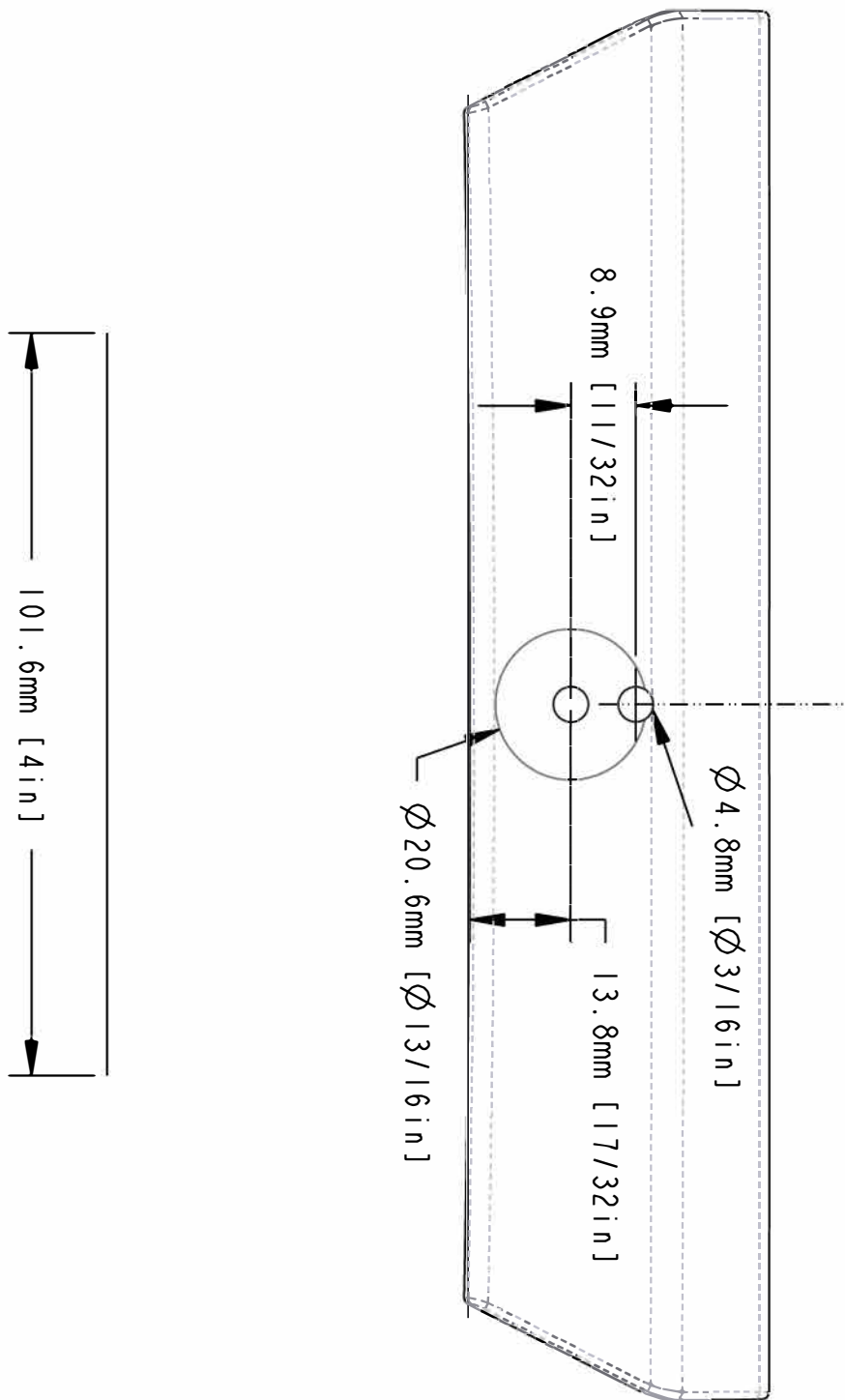


### FEEDBACK FORM

A feedback form has been created for the installer to provide any comments, questions or concerns about the installation instructions. The form is viewable on mobile devices by scanning the QR code or by clicking [HERE](#) if viewing on a PC.



This page intentionally left blank.



This page intentionally left blank.