

TIPOUT WINDSHIELD KIT



P/N 2884408

MISSING OR DAMAGED PARTS

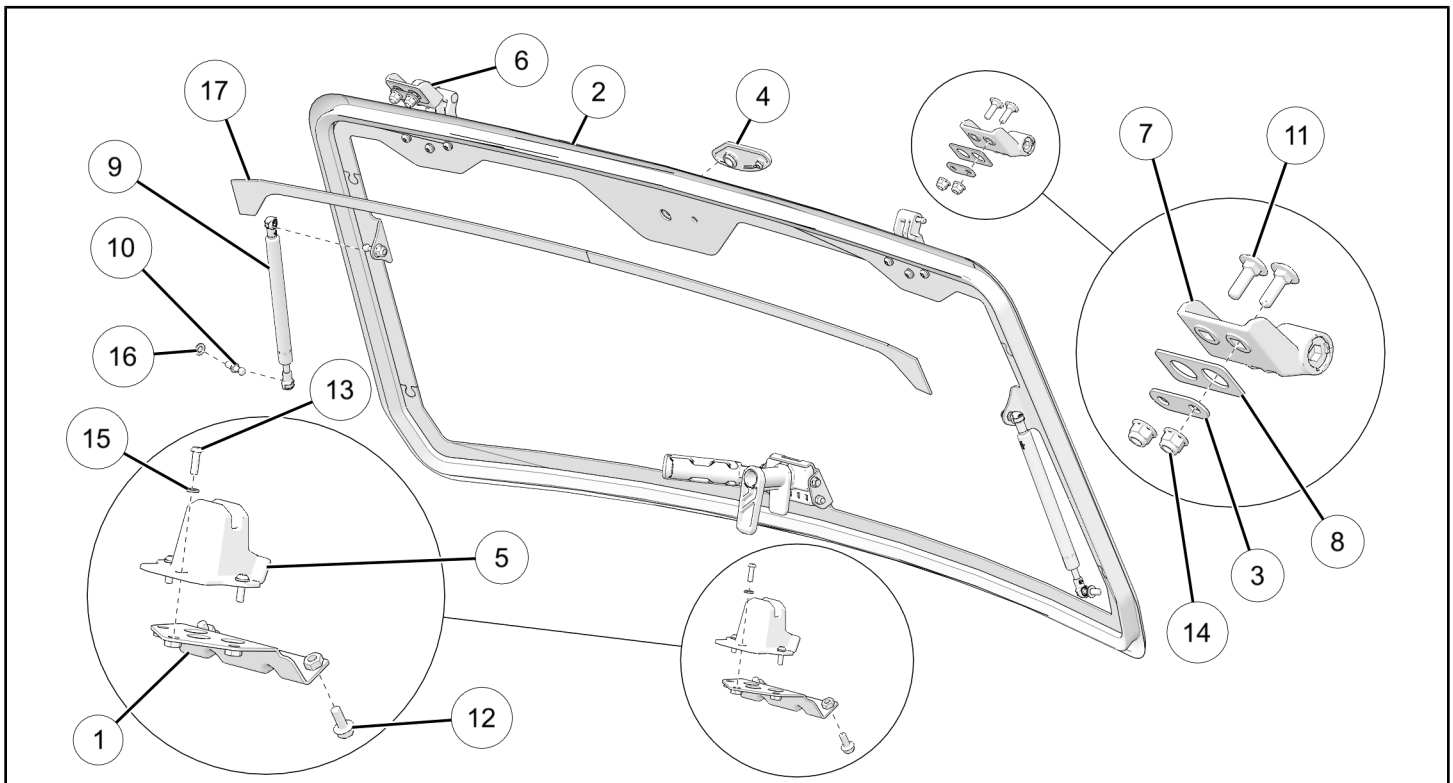
Before beginning assembly, inspect the kit and its component(s) to be sure all parts and tools are accounted for and not damaged. If missing parts or parts are damaged, please contact your Selling Dealer for assistance.

If your accessory was purchased online, please contact POLARIS® customer service at **1-800-POLARIS** (US & Canada only).

APPLICATION

Verify accessory fitment at www.polaris.com.

KIT CONTENTS



REF	QTY	PART DESCRIPTION	P/N AVAILABLE SEPARATELY
1	1	Bracket	n/a
2	1	Windshield Assembly	2639387
3	2	Washer Plate	n/a
4	1	Wiper Cover Molding	n/a
5	1	Windshield Handle Base	5457722
6	1	Windshield Mount – LH	2639437
7	1	Windshield Mount – RH	2639438
8	2	Windshield Gasket	5815198

REF	QTY	PART DESCRIPTION	P/N AVAILABLE SEPARATELY
9	2	Gas Shock	7045637
10	2	End Ball M8 x 1.25 mm	7081839
11	4	Round Head Carriage Bolt M8 x 1.25 x 25 mm	7520298
12	2	Flange Head Hex Screw M8 x 1.25 x 20 mm	7521332-20
13	3	Button Head Torx™ Screw M6 x 1.0 x 20 mm	7527947-20
14	4	Hex Flange Nut M8 x 1.25 mm	7547454
15	3	Washer – Flat M6 mm	7557233
16	2	Washer – Flat M8 mm	7557234
17	1	Seal, Windshield	5815471

TOOLS REQUIRED

- Safety Glasses
- Drill
- Drill Bit:
 - 21/64 in (10 mm)
- Hex Key Set, Metric
- Push Dart (Panel Clip) Tool
- Screwdriver Set, Torx®
- Socket Set, Hex Bit, Metric
- Socket Set, Metric
- Socket Set, Torx® Bit
- Torque Wrench
- Wrench Set, Metric

CONSUMABLES REQUIRED

- Cyanoacrylate Adhesive (Super Glue)

IMPORTANT

Your Tipout Windshield Kit is exclusively designed for your vehicle. Please read the installation instructions thoroughly before beginning. Installation is easier if the vehicle is clean and free of debris. For your safety, and to ensure a satisfactory installation, perform all installation steps correctly in the sequence shown.

INSTALLATION INSTRUCTIONS

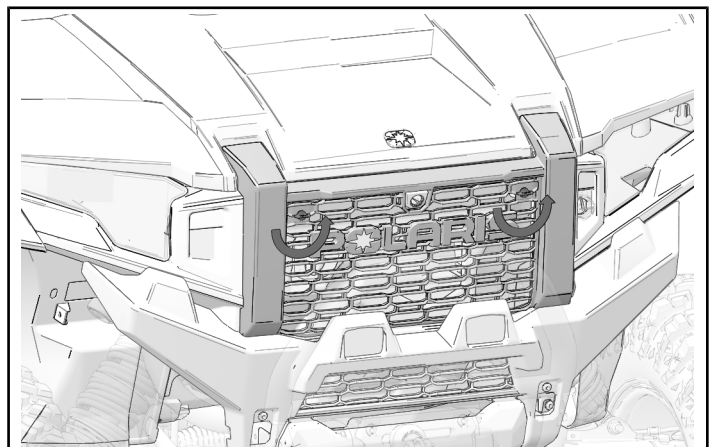
VEHICLE PREPARATION

GENERAL

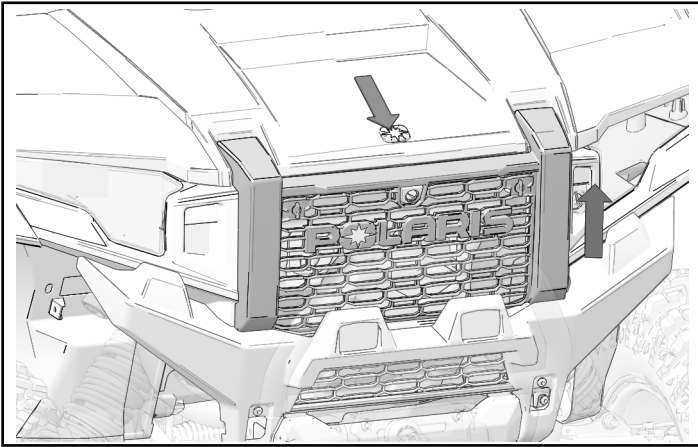
1. Park vehicle on a flat surface.
2. Shift vehicle into PARK.
3. Turn key to OFF position and remove key.

HOOD AND GRILL REMOVAL

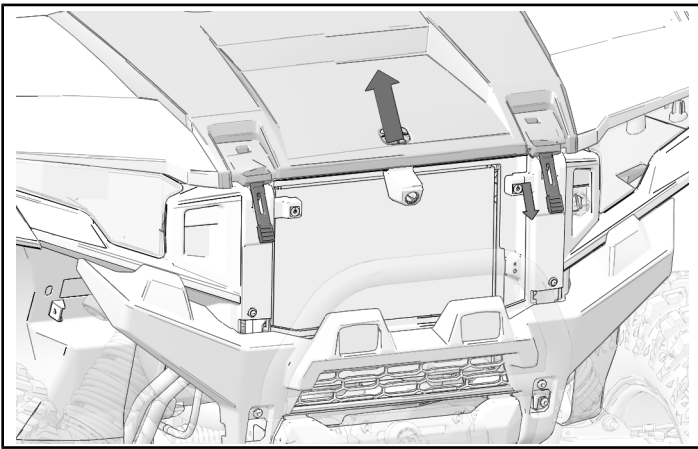
1. Turn each stud one-quarter turn to release grill.



2. Pull top of grill forward and then lift up to remove grill.



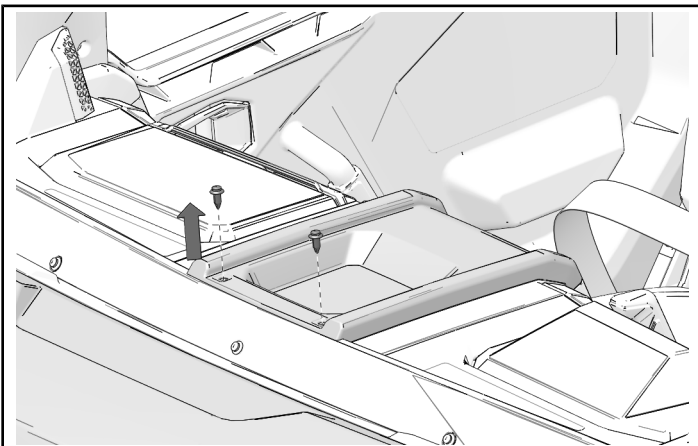
3. Pull rubber straps off hooks to release hood. Lift hood to remove.



ACCESSORY INSTALLATION

VEHICLE SETUP

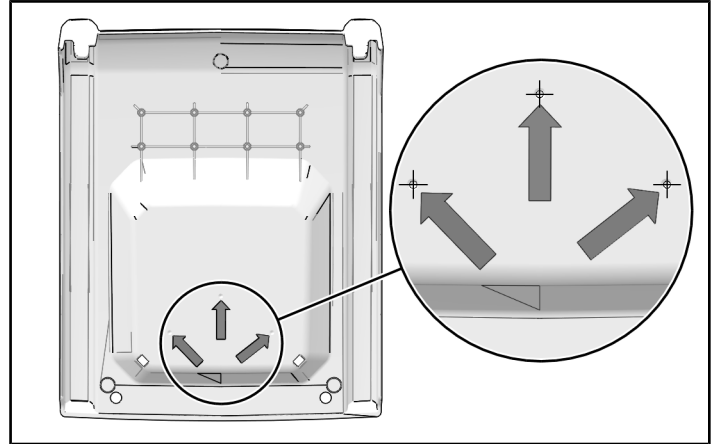
1. Remove two push darts. Lift front of panel and move panel rearward to disengage rear tabs. Remove upper center dash panel.



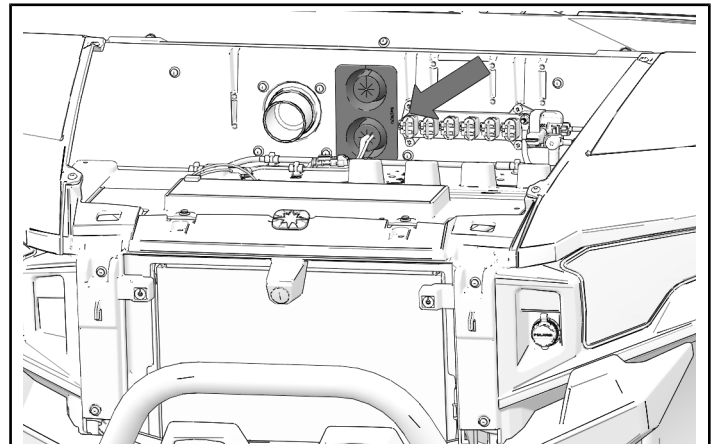
2. Turn over upper center dash panel. Locate three divots on the underside of the panel. Drill holes at these locations.

MEASUREMENT

Drill Bit Size:
21/64 in (9 mm)



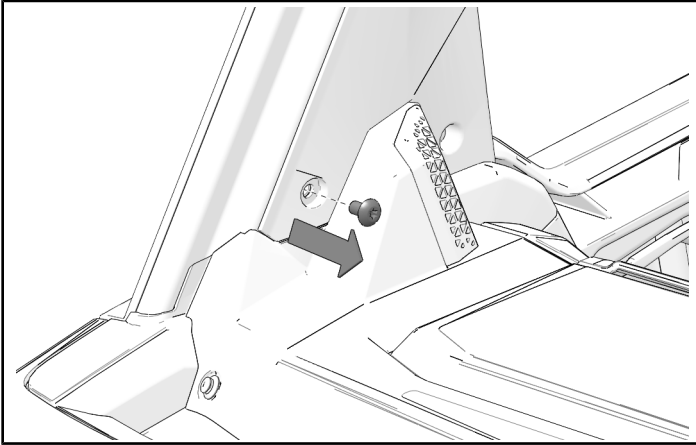
3. Find grommet at rear of underhood area. Note locations of wires. Remove grommet from the panel. This will provide access for the bracket install.



4. Remove frontmost screw from each inside sail panel.

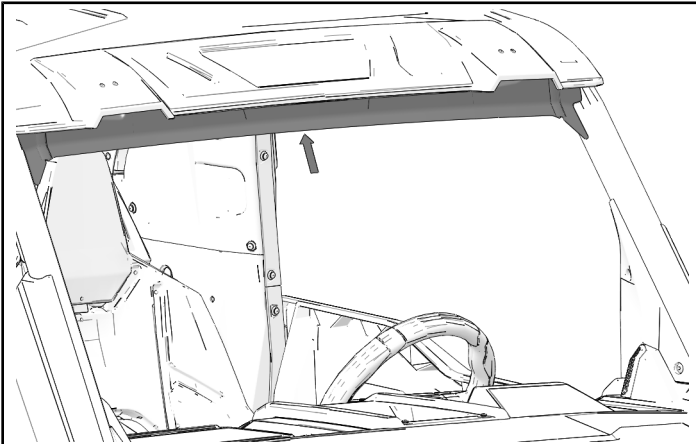
NOTICE

Right side shown; left side similar.



INSTALL WINDSHIELD SEAL

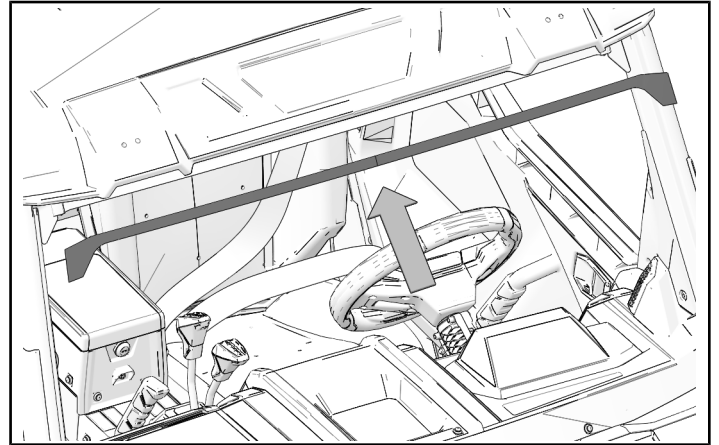
1. Clean visor plate at top of windshield opening. Plate should be free of dust, dirt, and debris.



2. Remove backing paper and install windshield seal ⑰ on visor plate. Bottom edge of seal should be flush with bottom edge of visor plate.

TIP

Remove backing paper from one end of seal and install along the angle at end of visor plate. Do the same for the other end of the seal. Finally remove backing paper from the length of the seal and attach to visor plate, working from the ends toward the center.

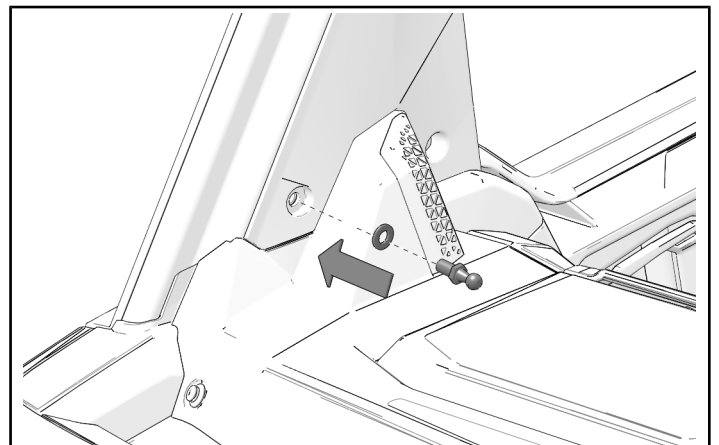


TIPOUT WINDSHIELD INSTALLATION

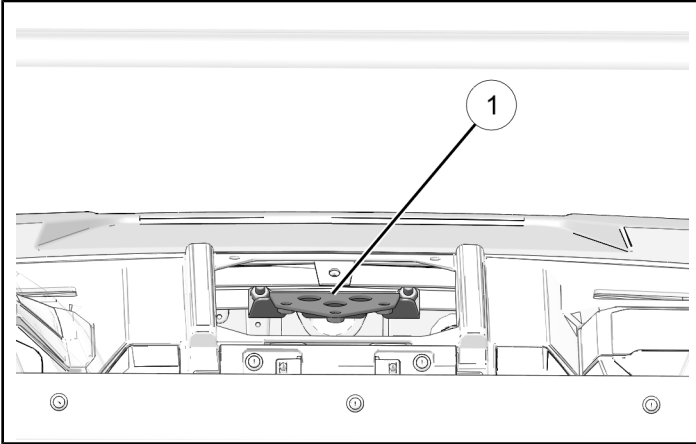
1. Install end ball ⑩ and washer ⑯ in open hole in each inside sail panel.

NOTICE

Right side shown; left side similar.



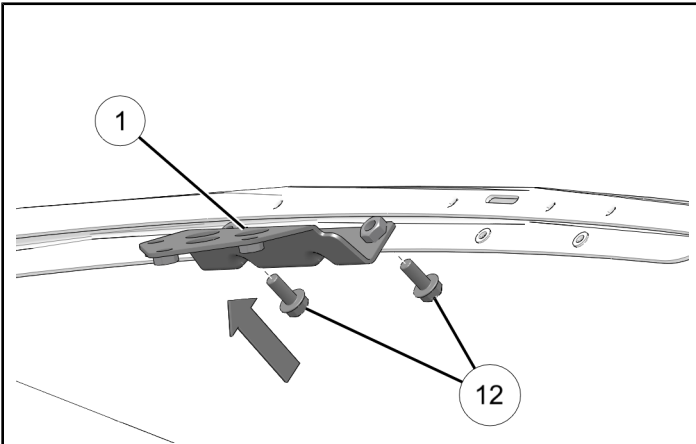
2. Install bracket ① through the opening that was covered by the upper center dash panel. Line up mounting holes with the holes in the frame.



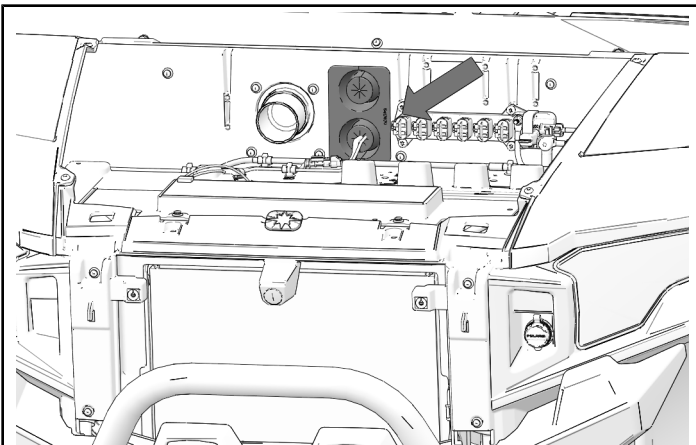
3. Install screws ⑫. Access screw holes through the opening where the grommet was removed. Torque to specification.

TORQUE

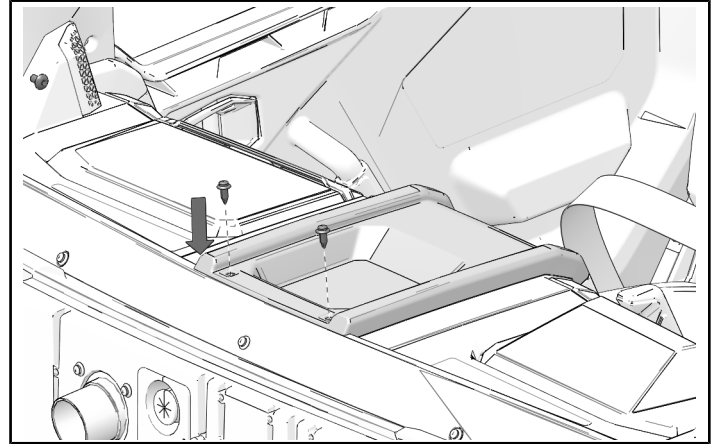
Screws ⑫:
20 ft-lbs (27 N·m)



4. Install grommet. Make sure wires are routed through the proper half of the grommet.

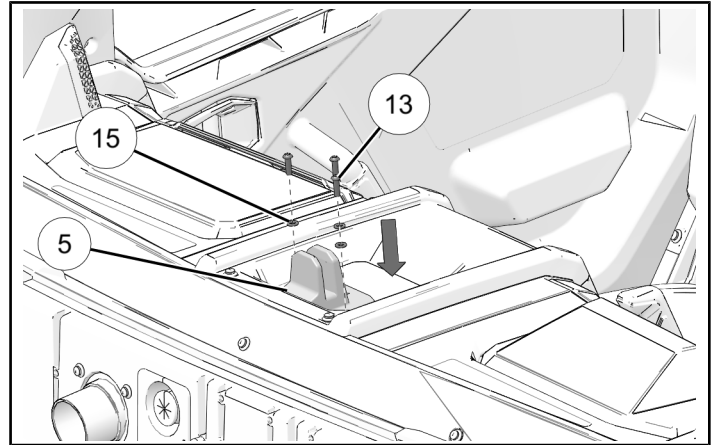


5. Install upper center dash panel. Engage rear tabs into slots, then lower front of panel into place. Install two push darts.



6. Install base ⑤, three screws ⑬, and three washers ⑮.

DO NOT torque fasteners at this time.



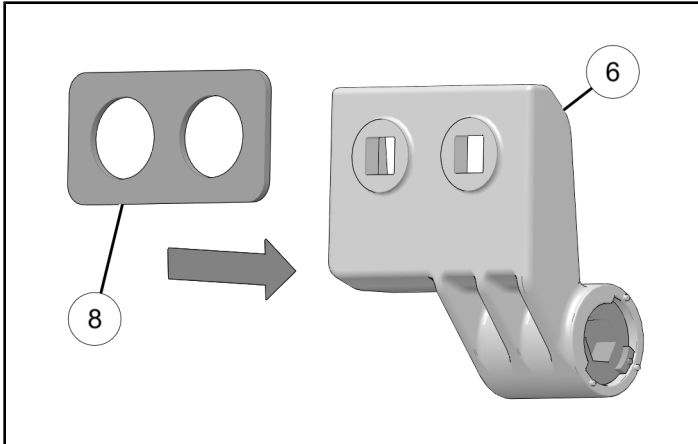
7. Put gaskets ⑧ on mounts ⑥.

NOTICE

Right side shown; left side similar.

NOTICE

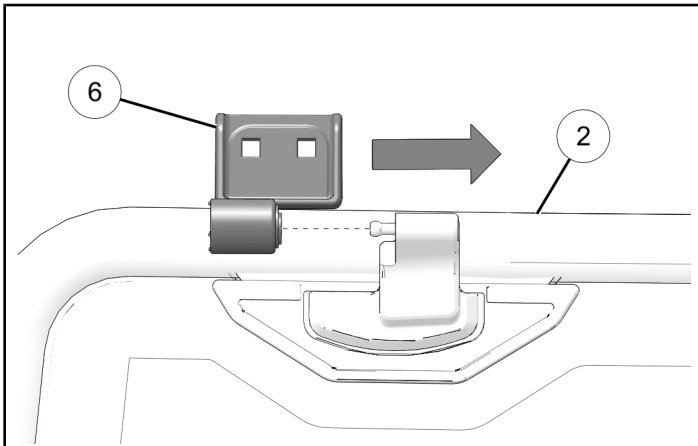
Use a few drops of cyanoacrylate adhesive to hold gasket ⑧ to mount ⑥.



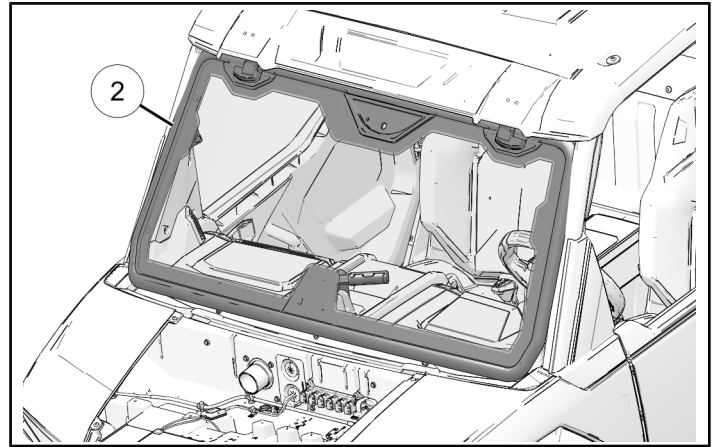
8. Attach mount ⑥ to windshield assembly ②. Push mount fully into hinge.

NOTICE

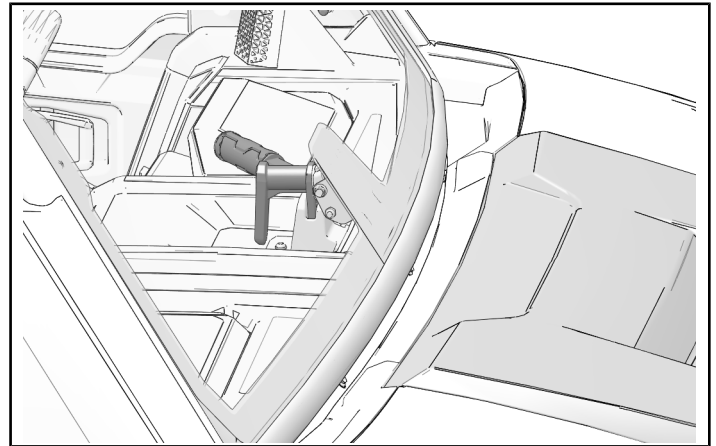
Right side shown; left side similar.



9. With an assistant, place the windshield assembly ② over the opening. Center the windshield over the opening.



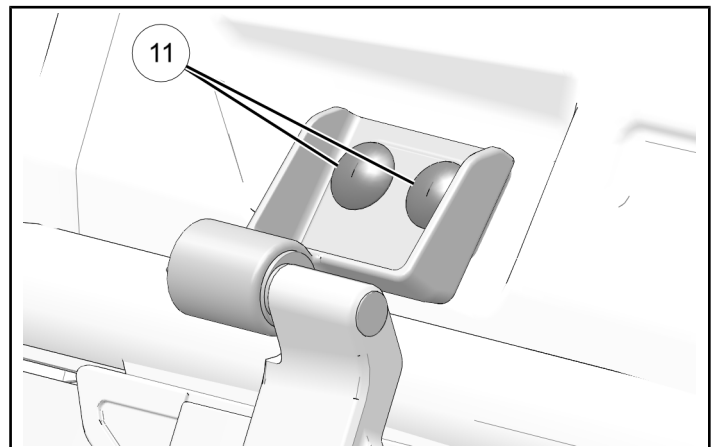
10. Close handle to support windshield on base.



11. Insert carriage bolts ⑪ through the mounts and the mounting holes.

NOTICE

Right side shown; left side similar.



12. Install plates ③ and hand tighten nuts ⑭ on inside of cab. When all are hand tight, torque to specification.

NOTICE

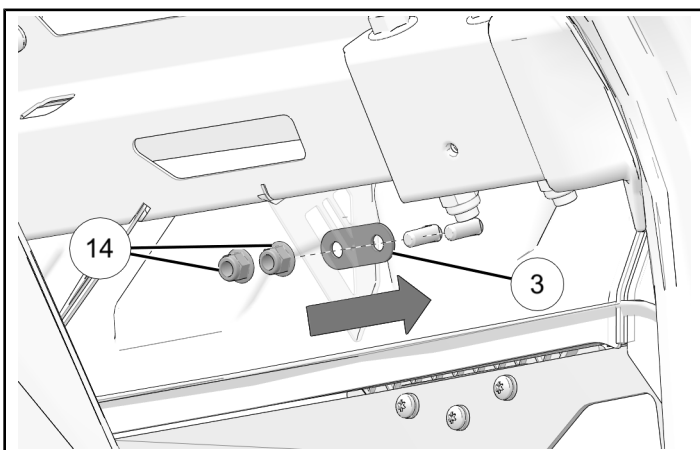
Right side shown; left side similar.

NOTICE

If vehicle is equipped with roof liner, remove forwardmost screws from the headliner to better access the mounting bolts.

TORQUE

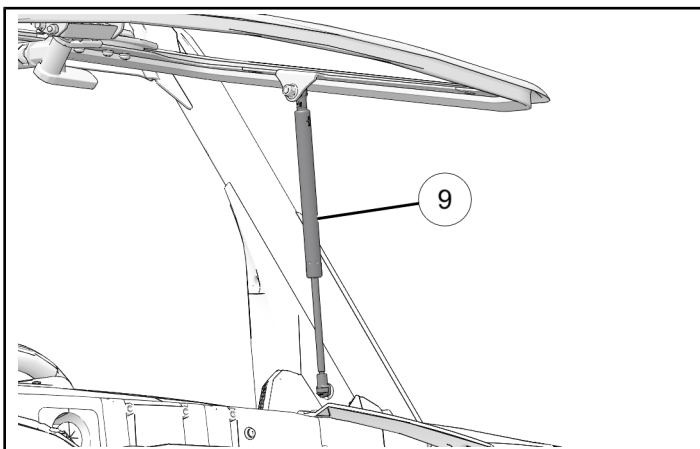
Nuts ⑭:
20 ft-lbs (27 N·m)



13. Open windshield. Install gas shocks ⑨. Note orientation of shock. Push the socket on each end of the shock onto the appropriate ball stud. The shock will snap into place on the ball.

NOTICE

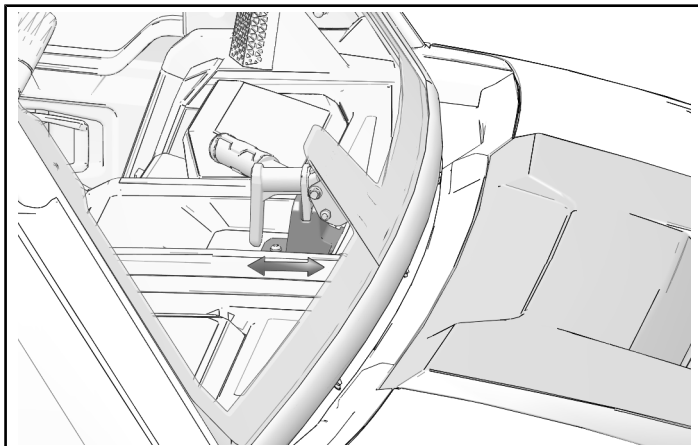
Left side shown; right side similar.



14. Adjust base to achieve desired seal pressure at bottom of windshield. When adjustment is complete, torque base screws to specification.

TORQUE

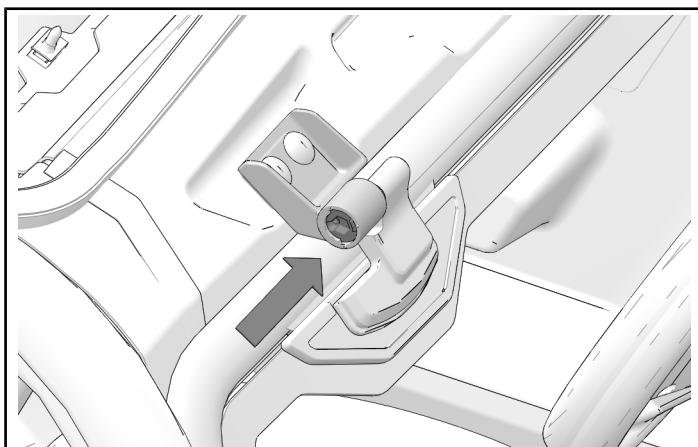
Screws ⑬:
89 in-lbs (10 N·m)



15. Use hex key to adjust top hinges to achieve desired seal pressure at top of windshield.

NOTICE

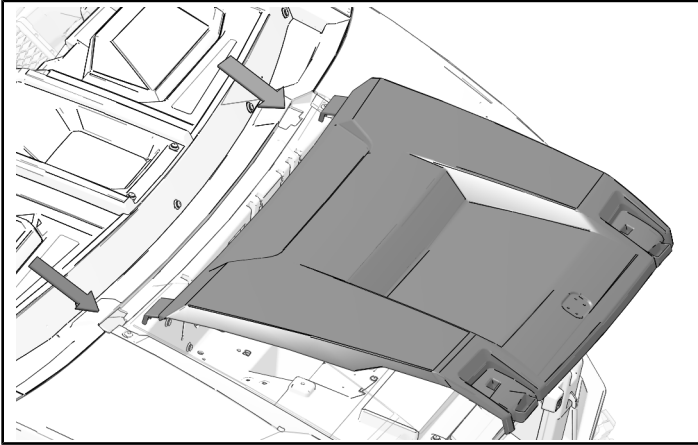
Right side shown; left side similar.



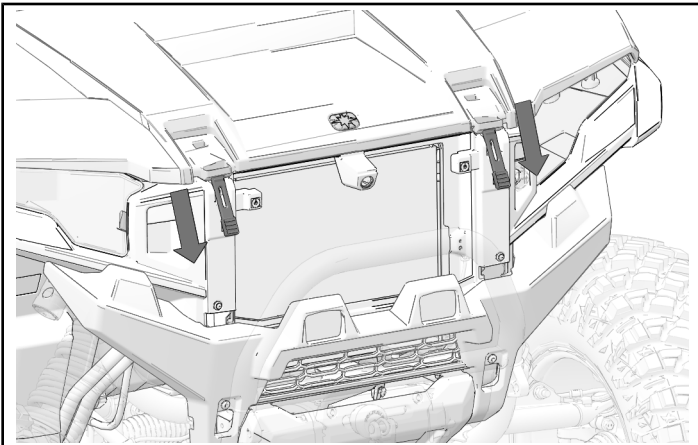
VEHICLE REASSEMBLY

HOOD AND GRILL INSTALLATION

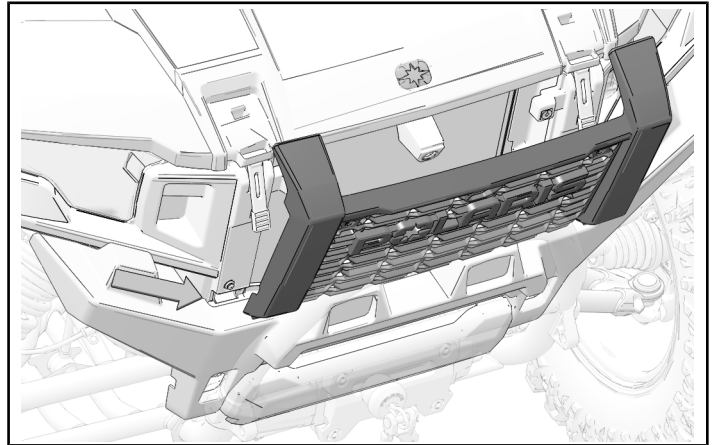
1. Put tabs on hood through openings in underhood liner. Then lower hood into position.



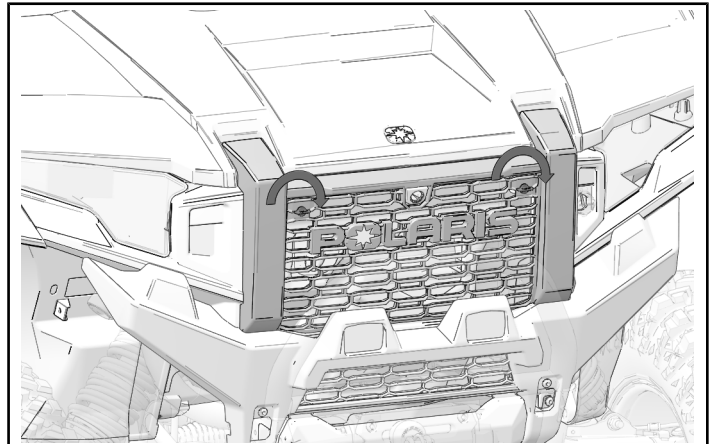
2. Pull rubber straps down over hooks to secure hood.



3. Put tabs on grill through openings in front fascia. Push top of grill into correct position.



4. Push each stud in and turn one-quarter turn clockwise to attach grill.

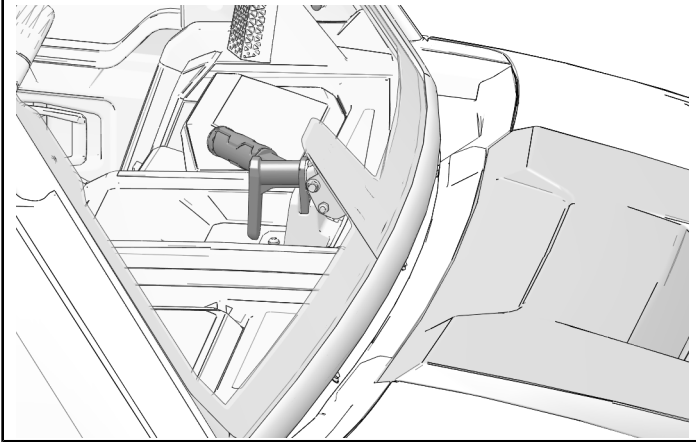


OPERATION

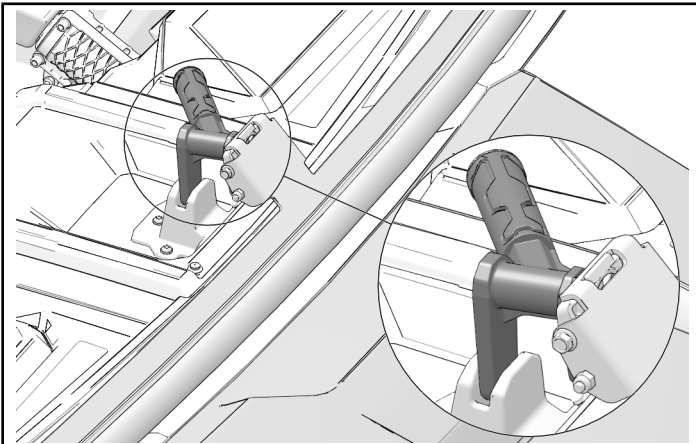
WARNING

If transporting vehicle in non-enclosed trailer, vehicle must **FACE FORWARD** and windshield must be **FULLY CLOSED** and **LOCKED**. Otherwise, windshield must be removed. Failure to comply may allow airflow, vibration, or other factors to separate windshield from vehicle and cause an accident, resulting in serious personal injury or death.

- Place the handle in the position shown to fully close the windshield.



- Place the handle in the position shown to put the windshield in the vented position.



- Disengage the handle from the base to put the windshield in the fully open position.

WARNING

Do not drive vehicle with windshield tipped up at speeds exceeding 45 mph (72 km/h). Driving at excessive speeds may cause airflow to lift windshield and cause a loss of vehicle control resulting in accident or death.

