

REAR POWER DOOR KIT



P/N 2884397

MISSING OR DAMAGED PARTS

Before beginning assembly, inspect the kit and its component(s) to be sure all parts and tools are accounted for and not damaged. If missing parts or parts are damaged, please contact your Selling Dealer for assistance.

If your accessory was purchased online, please contact POLARIS® customer service at **1-800-POLARIS** (US & Canada only).

APPLICATION

Verify accessory fitment at www.polaris.com.

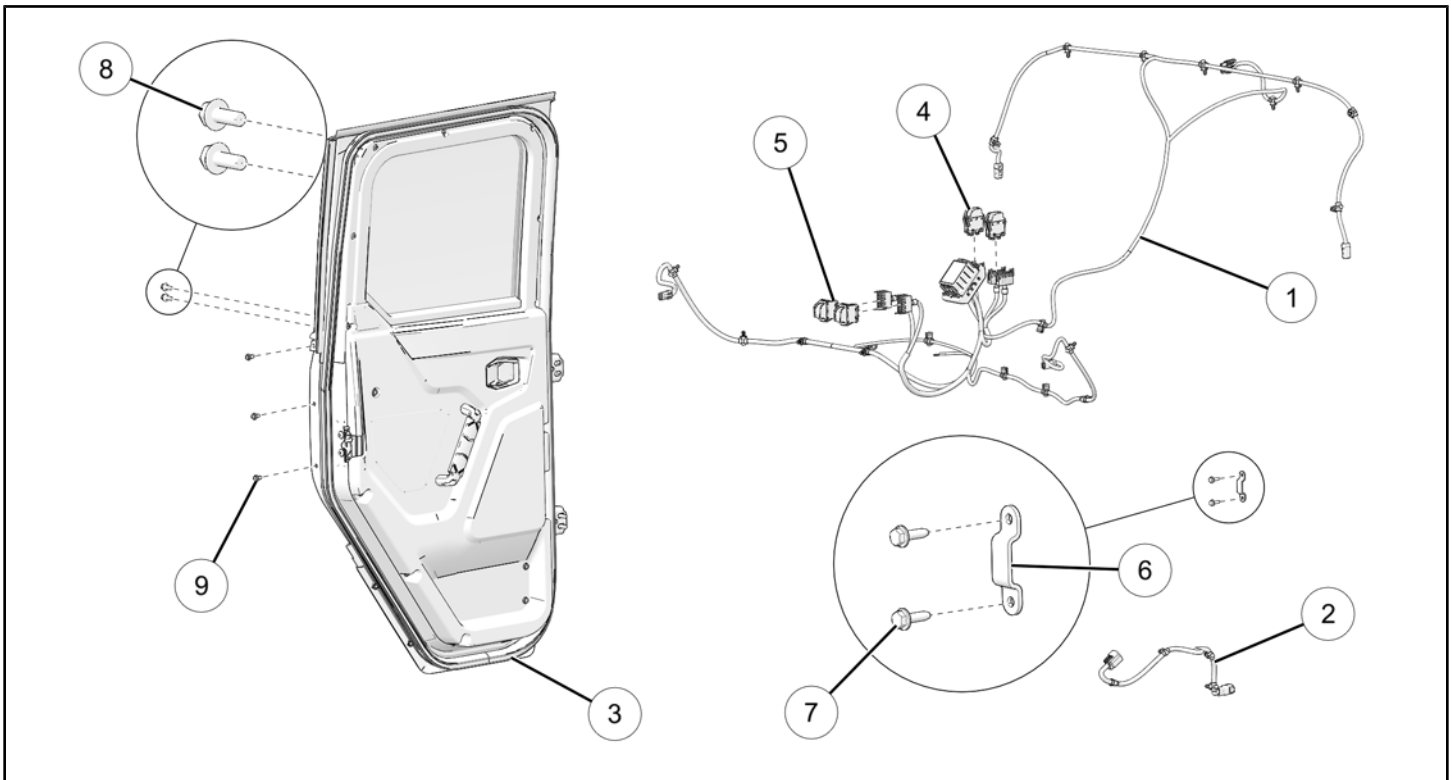
REQUIRED SOLD SEPARATELY

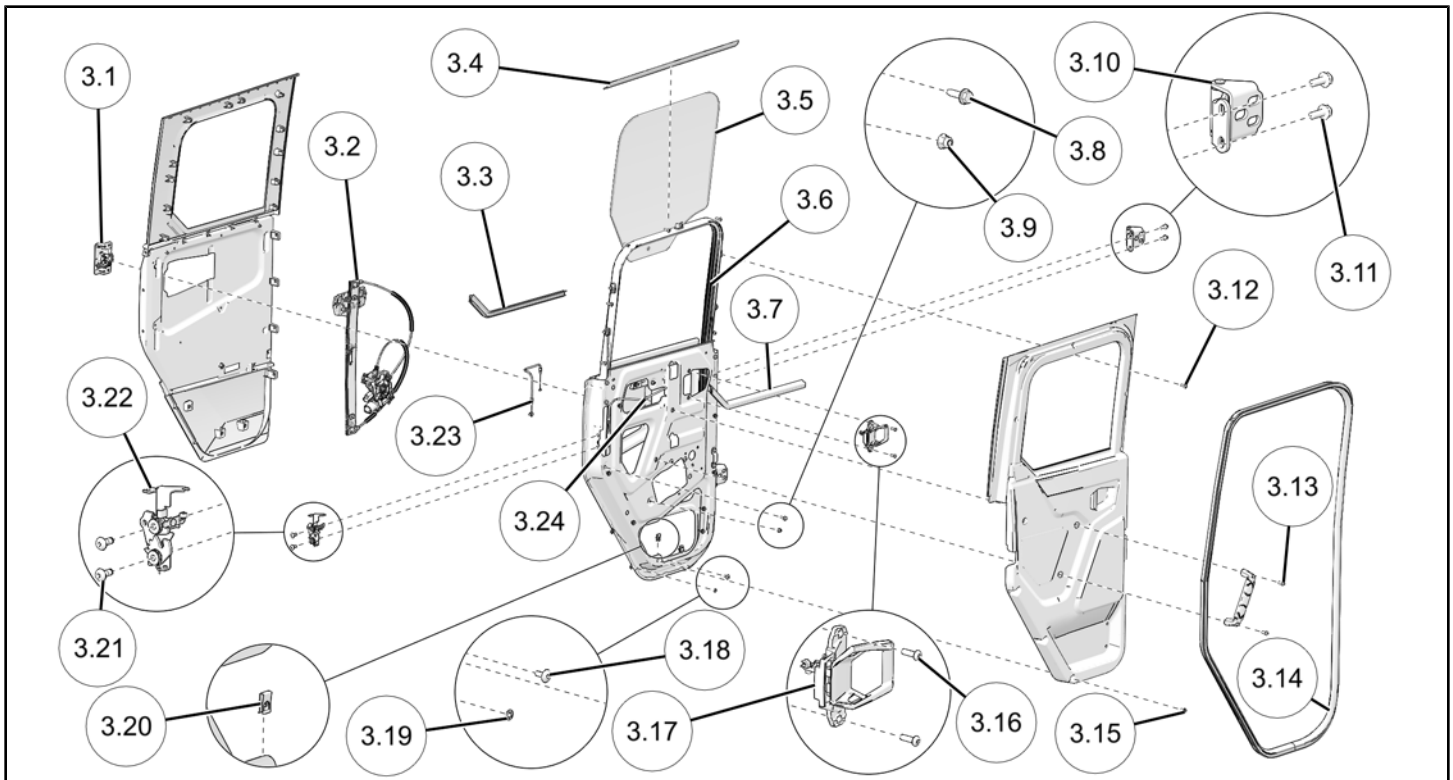
Only parts for installation of the Rear Power Door Kit are included. For complete installation, the following additional parts is required (sold separately):

- *Front Power Doors Kit, P/N 9930646*

KIT CONTENTS

REAR POWER DOOR KIT P/N 2880647

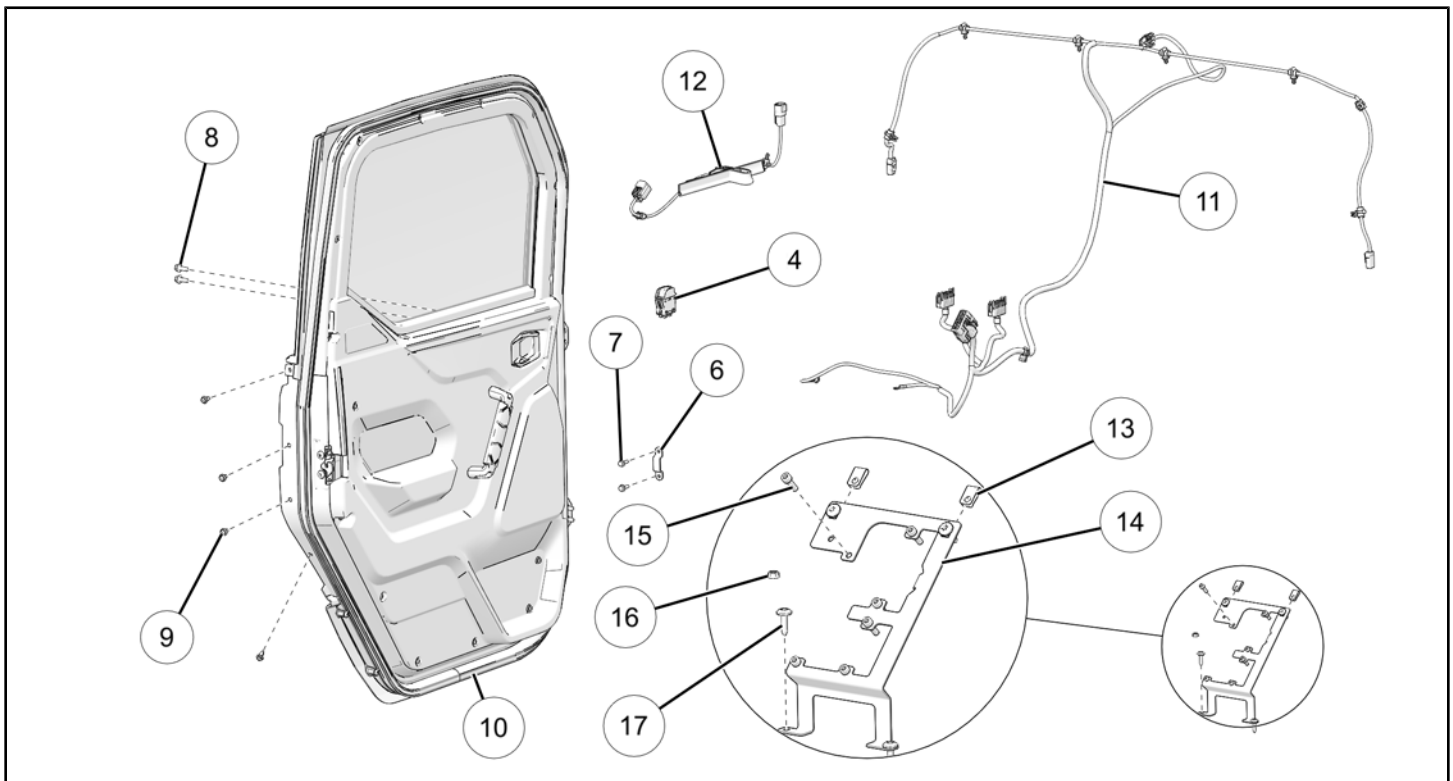




REF	QTY	PART DESCRIPTION	P/N AVAILABLE SEPARATELY
1	1	Harness, Electric Window	n/a
2	2	Harness, Rear Power Door	2416789
3	1	Power Rear Door Assembly, Left (includes items 3.1 – 3.24) Power Rear Door Assembly, Right (not shown)	2637919 2637920
3.1	1	Exterior Actuator Assembly, Left Exterior Actuator Assembly, Right (not shown)	7083035 7083036
3.2	1	Regulator Assembly, Power Window, Rear Left Regulator Assembly, Power Window, Rear Right (not shown)	2637927 2637928
3.3	1	Seal, Beltline, Rear, A	5522391
3.4	1	Seal, Extrusion	5526508-675
3.5	1	Glass, Window, Rear Door, Left Glass, Window, Rear Door, Right (not shown)	2638231 2638232
3.6	1	Seal, Window, Run Channel, Rear	5526361
3.7	1	Seal, Beltline, Rear, B	5522392
3.8	14	Screw, Hex Flange M6 x 1.0 x 20 mm	7518529
3.9	2	Nut, Hex Flange M6 x 1.0 mm	7548027
3.10	2	Hinge Assembly, Rear	2638402
3.11	4	Screw, Hex Flange M8 x 1.25 x 20 mm	7528211
3.12	14	Screw, Torx® Pan Head #14 x 0.75 in	7519731
3.13	2	Screw, Torx® Button Head M8 x 1.25 x 20 mm	7519648

REF	QTY	PART DESCRIPTION	P/N AVAILABLE SEPARATELY
3.14	1	Seal, Bulb, Full Rear Door	5526488
3.15	12	Rivet, Push-Pin	7661855
3.16	2	Screw, Torx® Pan Head M6 x 1.0 x 20 mm	7518616
3.17	1	Handle Assembly, Door, Inner	7082692
3.18	7	Screw, Torx® Truss Head M6 x 1.0 x 15 mm	7520147
3.19	2	Bolt Retainer	7670154
3.20	2	Clip, Speed Nut	7081305
3.21	2	Screw, Torx® Truss Head M8 x 1.25 x 20 mm	7519997
3.22	1	Latch Assembly, Left Latch Assembly, Right (not shown)	7082930 7082931
3.23	1	Door Cable, External	7082663
3.24	1	Door Cable, Internal, Rear	7082691
4	2	Switch, Power Window	4081906-01
5	2	Switch, Rear Power Window	4081906-02
6	2	Limit Strap Bracket	n/a
7	4	Screw, Hex Flange Head M6 x 1.0 x 20 mm	7518529
8	8	Screw, Hex Flange Head M8 x 1.25 x 25 mm	7528211
9	14	Rivet, Plastic Push Pin	7661855

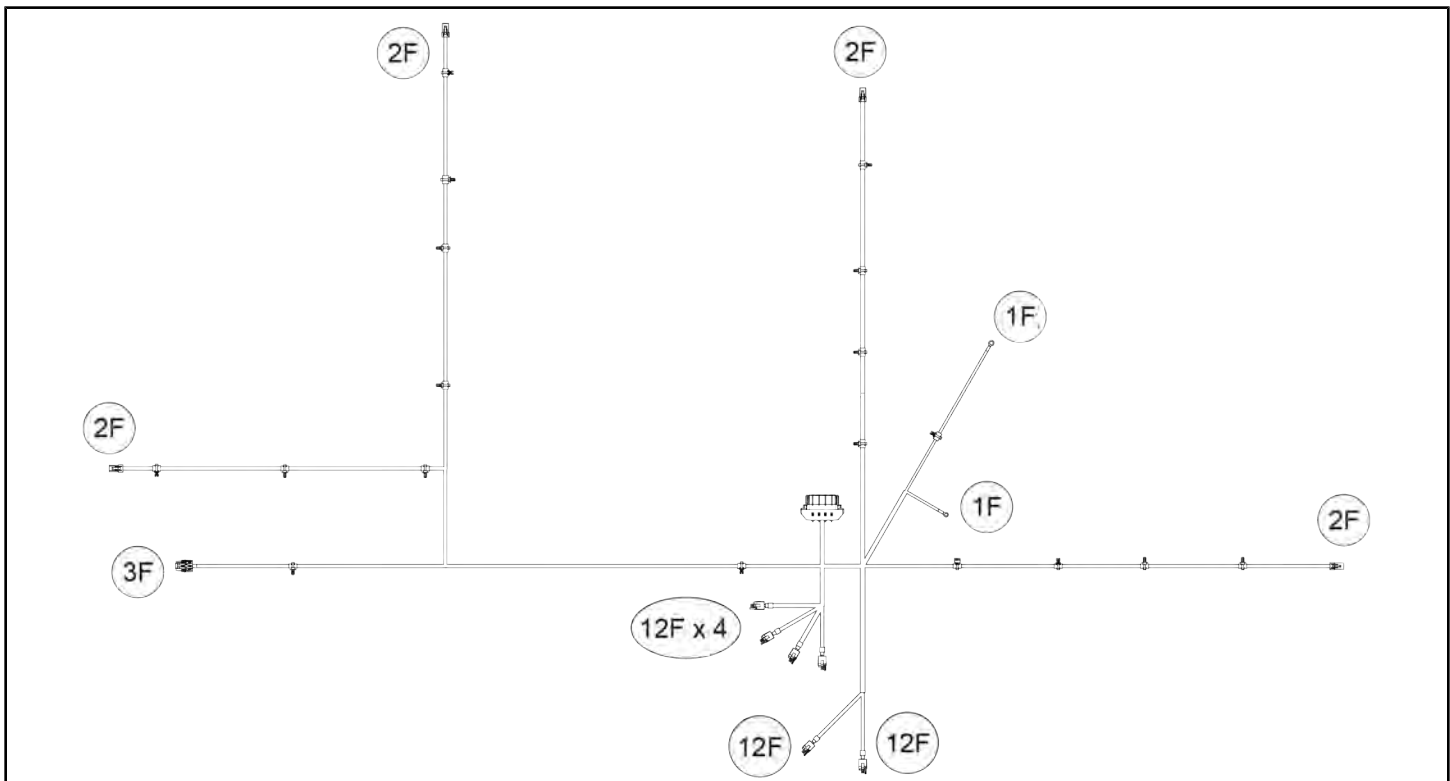
FRONT POWER DOOR KIT P/N 2880646



REF	QTY	PART DESCRIPTION	P/N AVAILABLE SEPARATELY
4	2	Switch, Power Window	4081188-01
6	2	Limit Strap Bracket	n/a
7	4	Screw, Hex Flange M6 x 1.0 x 20 mm	7518529
8	8	Screw, Hex Flange M8 x 1.25 x 20 mm	7528211
9	8	Rivet, Plastic Push Pin	7661855
10	1	Power Front Door Assembly, Left Power Front Door Assembly, Right (not shown)	2637917 2637918
11	1	Harness, Electric Window, 2-Passenger (not used)	2415356
12	2	Harness, Front Power Door	2416788
13	2	U-Nut M6 x 1.0 mm	7547674
14	1	Bracket, Power Window	n/a
15	6	Screw, Socket Head M6 x 1.0 x 20 mm	7517305
16	1	Nut, Hex Flange, Serrated M6 mm	7547270
17	4	Screw, Torx® Truss Head M6 x 1.0 x 25 mm	7519650

HARNESS DETAIL

ELECTRIC WINDOW HARNESS ①

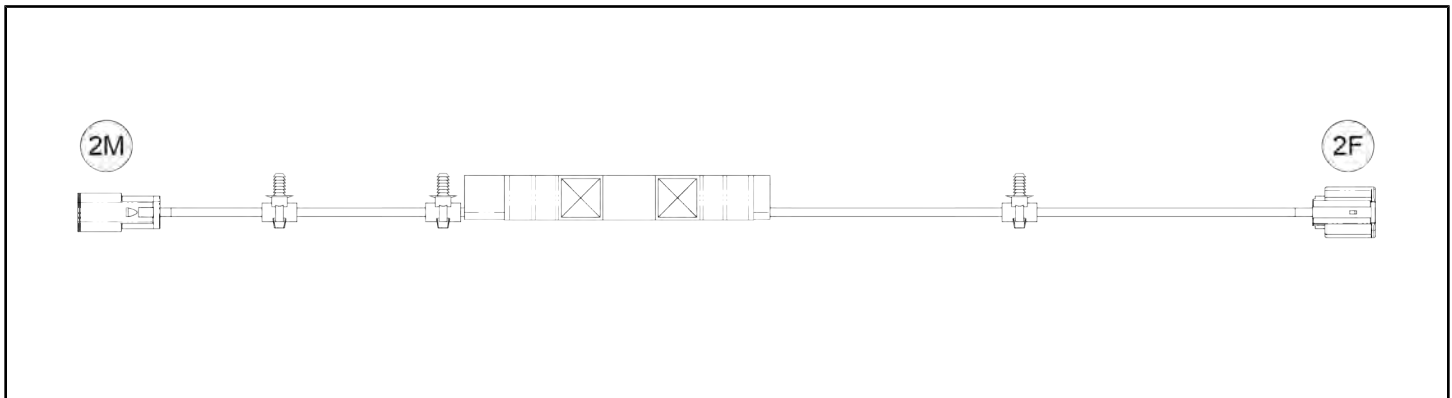


REF	PART DESCRIPTION	CONNECTS TO
1F	Ring Terminal (Black)	Negative Battery Terminal
1F	Ring Terminal (Red)	Positive Battery Terminal

REF	PART DESCRIPTION	CONNECTS TO
2F	Harness Connector	Front Power Door Harness
2F	Harness Connector	Front Power Door Harness
2F	Harness Connector	Rear Power Door Harness ②
2F	Harness Connector	Rear Power Door Harness ②
3F	Polaris Pulse® Bar Connector	Polaris Pulse® Bar
12F	Switch Connector	Front Power Window Switch
12F	Switch Connector	Front Power Window Switch
12F	Switch Connector	Rear Power Window Switch ④
12F	Switch Connector	Rear Power Window Switch ④
12F	Switch Connector	Rear Power Window Switch ⑤
12F	Switch Connector	Rear Power Window Switch ⑤

Example: 16F = 16 pin, Female / 16M = 16 pin, Male (Male terminal fits inside female terminal)

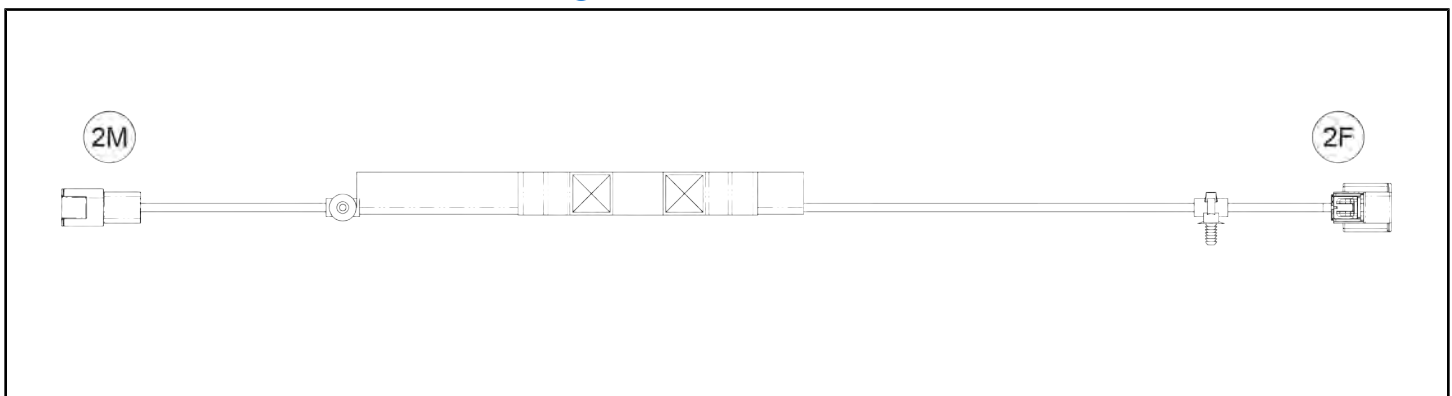
REAR POWER DOOR HARNESS ②



REF	PART DESCRIPTION	CONNECTS TO
2F	Regulator Connector	Regulator
2M	Harness Connector	Electric Window Harness ①

Example: 16F = 16 pin, Female / 16M = 16 pin, Male (Male terminal fits inside female terminal)

FRONT POWER DOOR HARNESS ⑫



REF	PART DESCRIPTION	CONNECTS TO
2F	Regulator Connector	Regulator
2M	Harness Connector	2-Passenger Electric Window Harness ②

Example: 16F = 16 pin, Female / 16M = 16 pin, Male (Male terminal fits inside female terminal)

TOOLS REQUIRED

- Safety Glasses
- Hammer, Soft Face
- Pliers, Push Pin Rivet
- Screwdriver, Slotted
- Socket Set, Metric
- Socket Set, Torx® Bit
- Torque Wrench
- Wrench Set, Metric

IMPORTANT

Your Rear Power Door Kit is exclusively designed for your vehicle. Please read the installation instructions thoroughly before beginning. Installation is easier if the vehicle is clean and free of debris. For your safety, and to ensure a satisfactory installation, perform all installation steps correctly in the sequence shown.

INSTALLATION INSTRUCTIONS

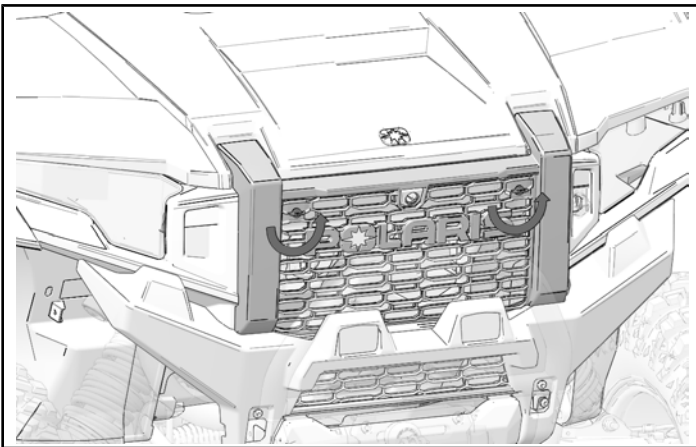
VEHICLE PREPARATION

GENERAL

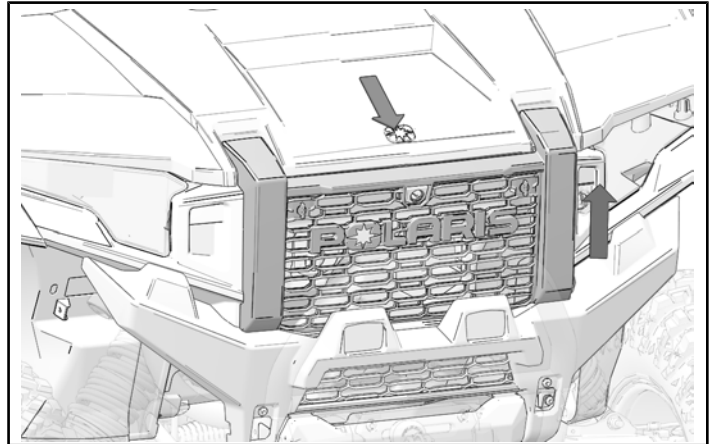
1. Park vehicle on a flat surface.
2. Shift vehicle into PARK.
3. Turn key to OFF position and remove key.

HOOD AND GRILL REMOVAL

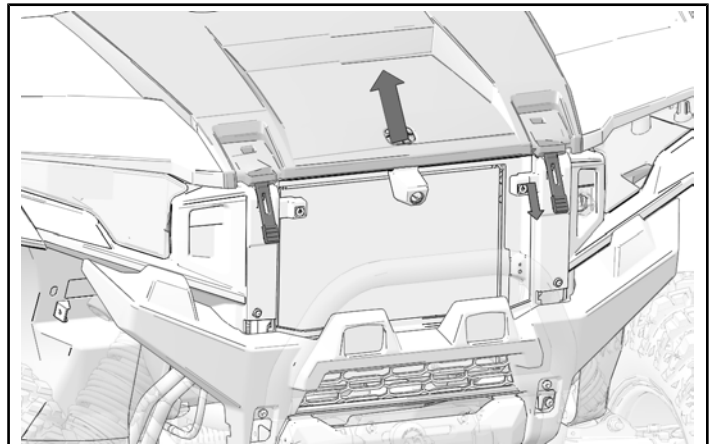
1. Turn each stud one-quarter turn to release grill.



2. Pull top of grill forward and then lift up to remove grill.



3. Pull rubber straps off hooks to release hood. Lift hood to remove.

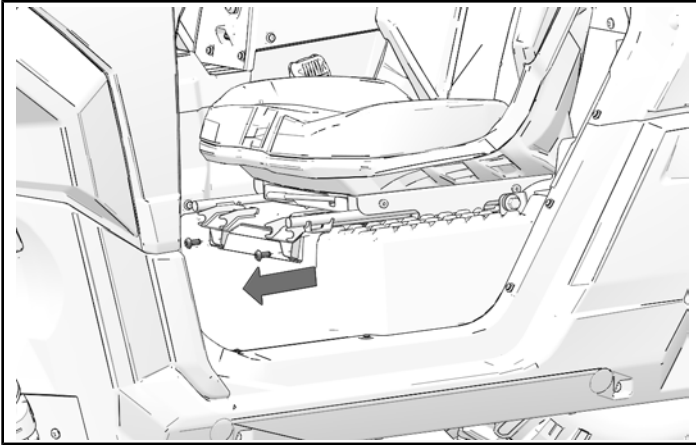


BATTERY DISCONNECTION

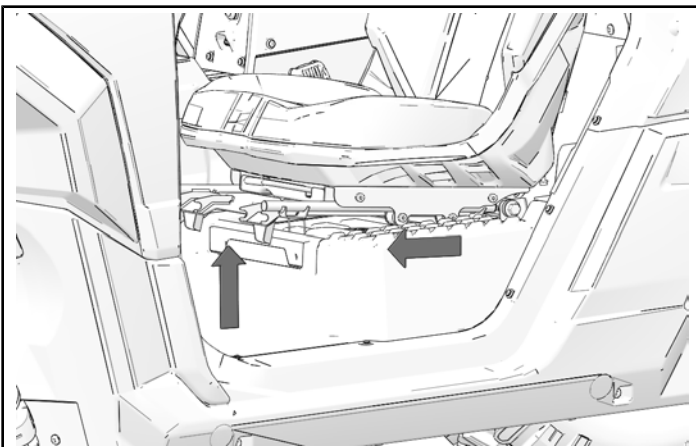
NOTICE

Doors hidden for clarity.

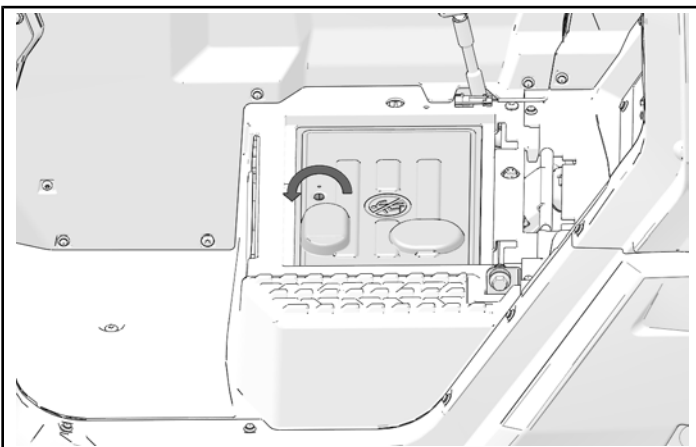
1. Remove and keep two screws from front of driver seat base.



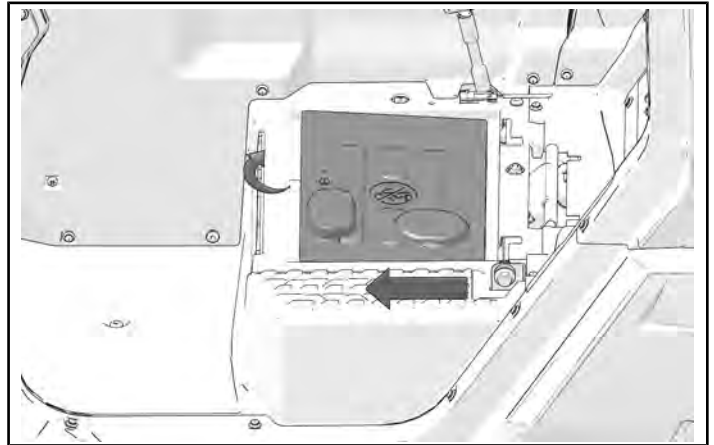
2. Lift front of seat and pull forward to remove seat.



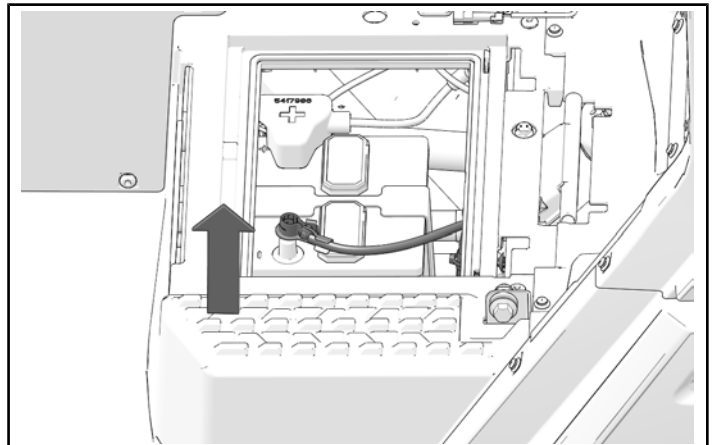
3. Turn screw to open cover.



4. Lift cover and slide forward to remove.



5. Disconnect negative (-) cable from battery.

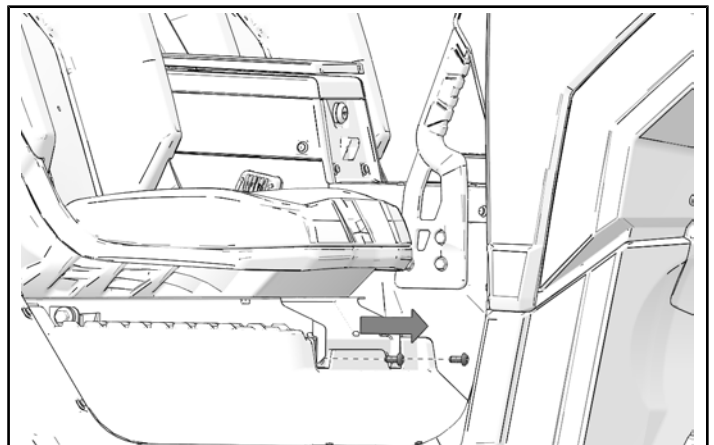


PASSENGER SEAT REMOVAL

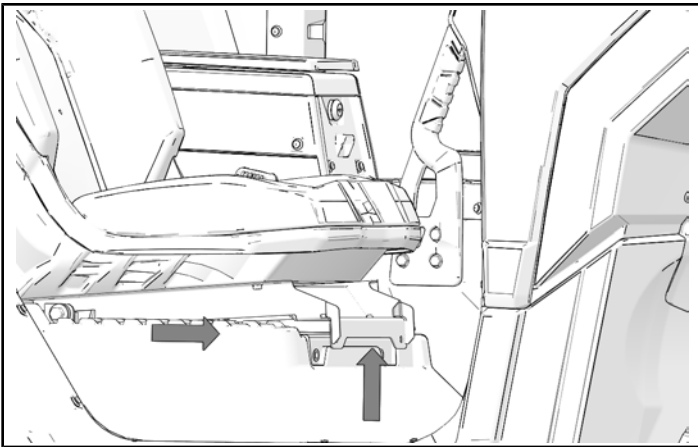
NOTICE

Doors hidden for clarity.

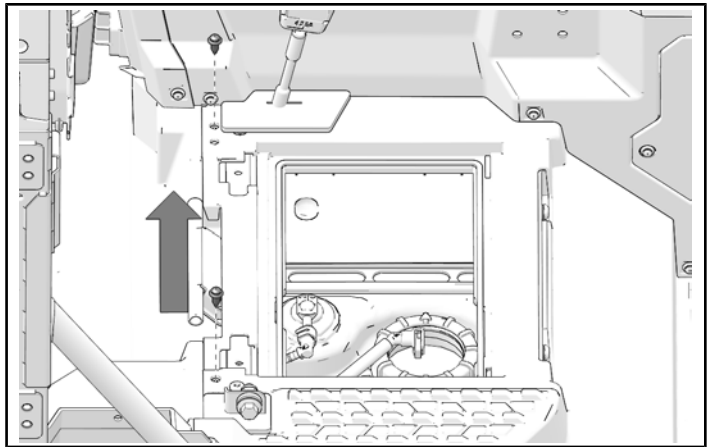
1. Remove and keep two screws from front of passenger seat base.



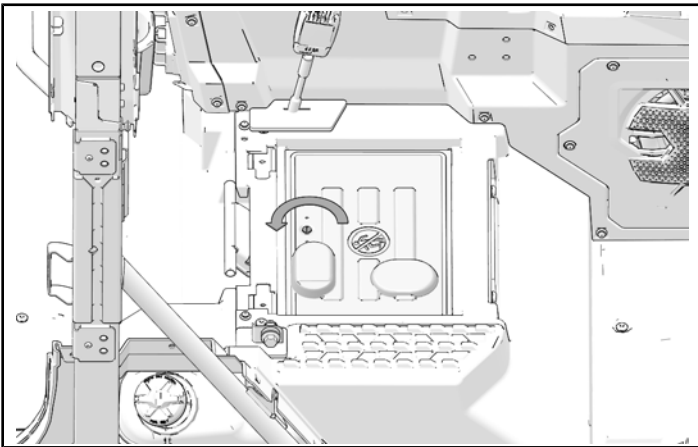
2. Lift front of seat and pull forward to remove seat.



5. Remove and keep two push-pin rivets.



3. Turn screw to open cover.



REMOVE LOWER A PILLAR TRIM

NOTICE

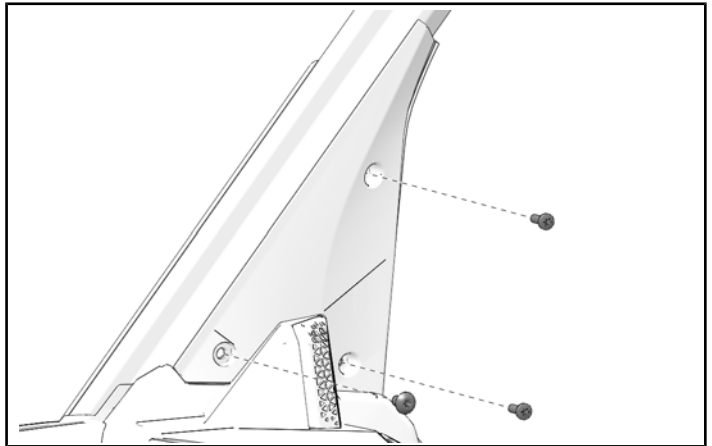
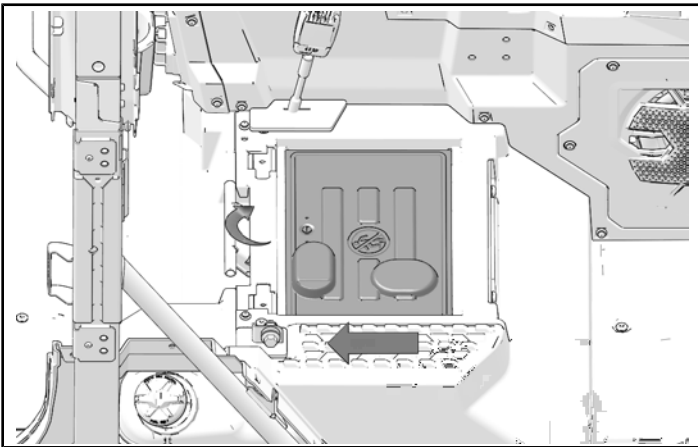
If vehicle is equipped with poly windshield, removal of lower mounting hardware may make removal of lower A-pillar trim easier.

1. Remove three screws from lower A-pillar trim panel.

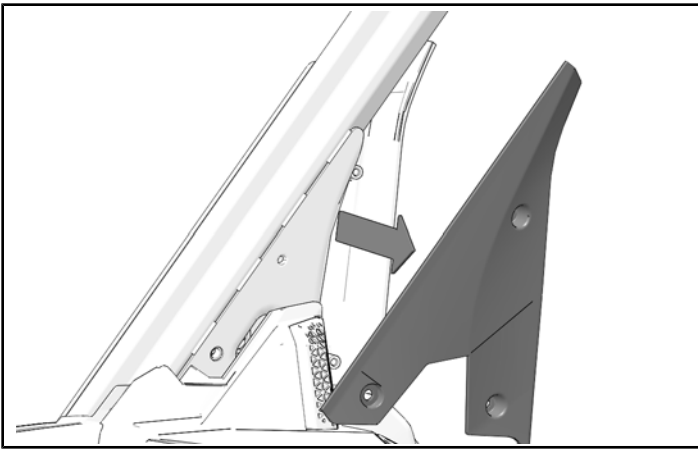
NOTICE

Right side shown; left side similar.

4. Lift cover and slide rearward to remove.



2. Pull A-pillar trim piece away from vehicle.



VEHICLES EQUIPPED WITH TIP-OUT WINDSHIELD

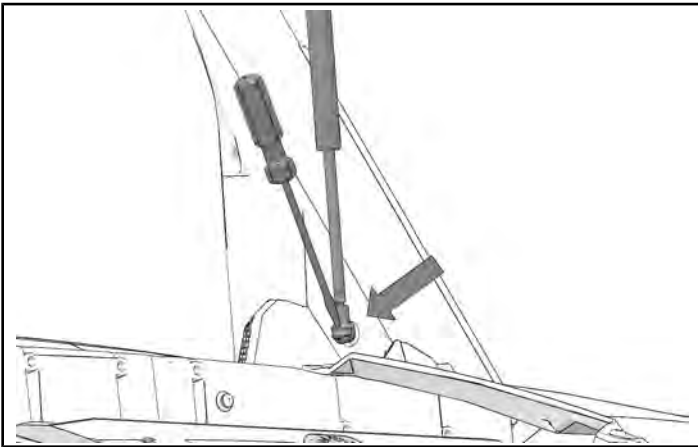
NOTICE

Left side shown; Right side similar.

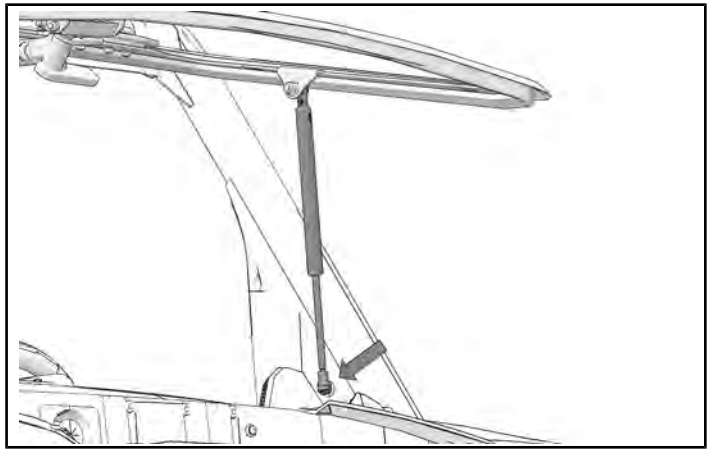
1. Open tip-out windshield. Install a support to hold weight of windshield.
2. Use appropriate tool to release clip at lower end of gas spring.

CAUTION

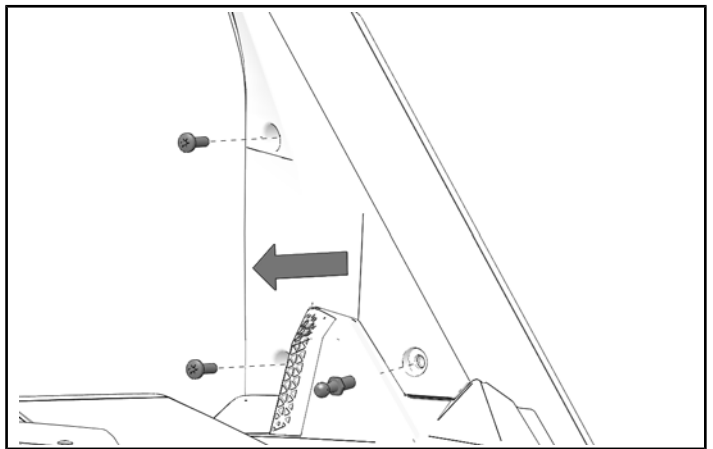
Use care when releasing the clip. Clip may spring away from fitting, and may strike objects or become lost.



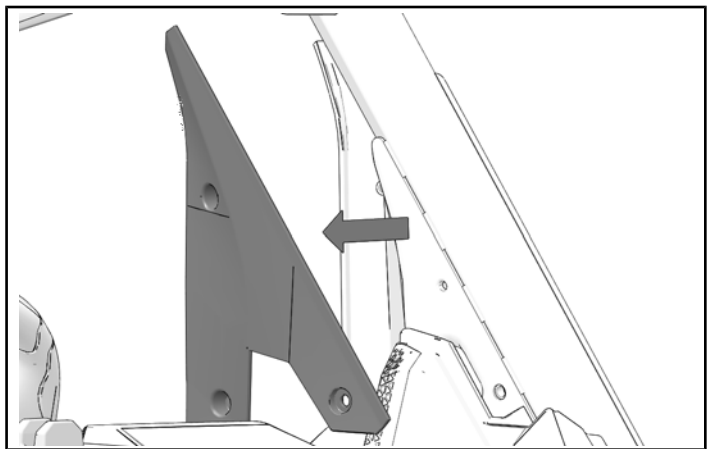
3. Disconnect bottom of gas springs.



4. Remove two screws and ball stud from lower A-pillar trim panel.



5. Pull A-pillar trim piece away from vehicle.

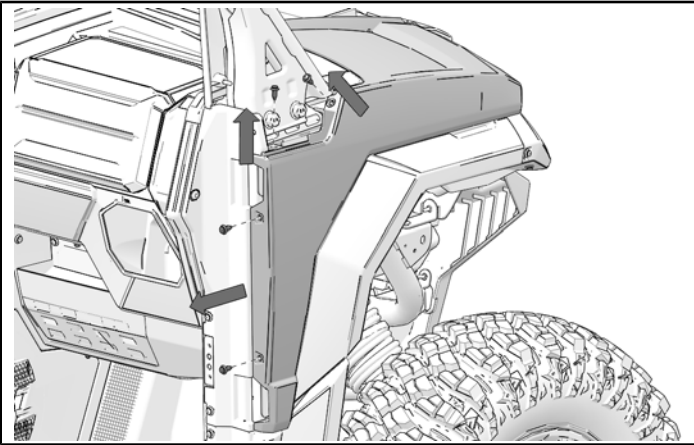


FRONT FENDER REMOVAL

NOTICE

Right side shown; left side similar.

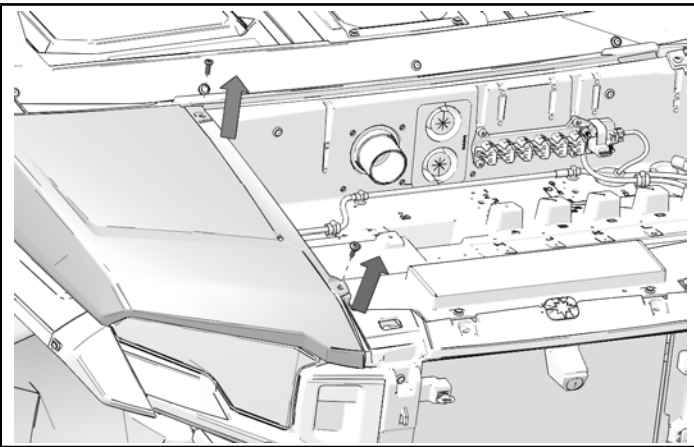
1. Remove and keep four push pin rivets from front fender.



4. Turn fender and lift to disengage lower tab and remove fender.



2. Remove and keep two screws from front fender.



FRONT HALF-DOOR REMOVAL

NOTICE

Right side shown; left side similar.

CAUTION

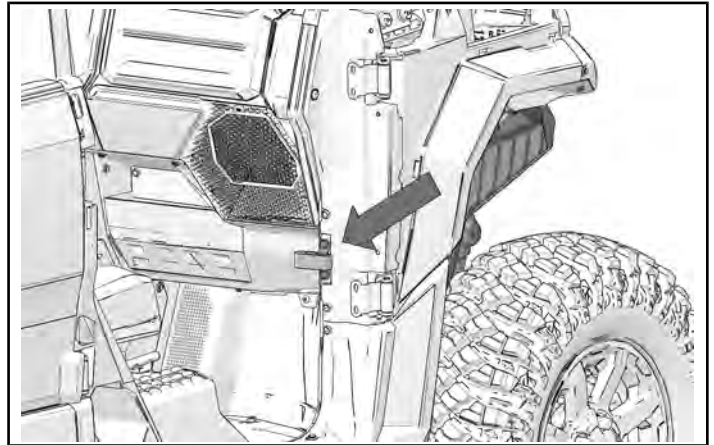
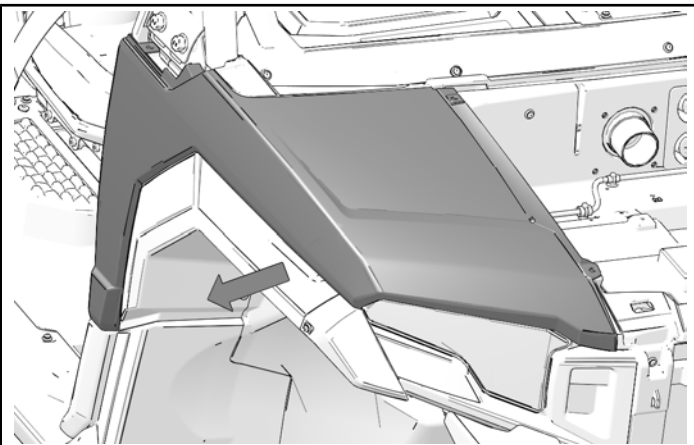
Doors are large and may weigh up to 60 lb (27 kg).
Use assistance when lifting and moving doors.

1. Find bracket and limit strap on A-pillar.

NOTICE

Door hidden for clarity.

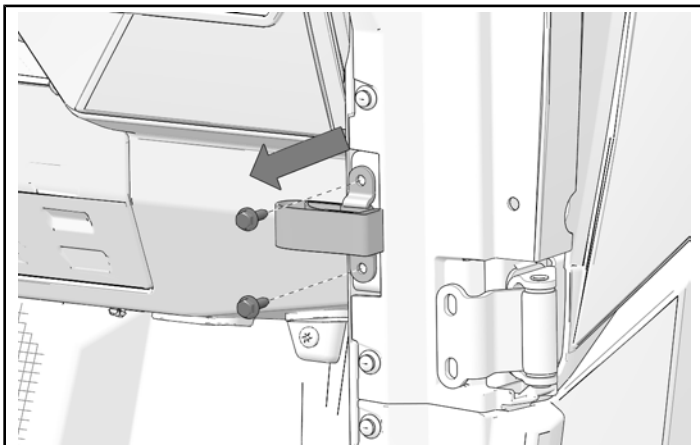
3. Pull fender outward to disengage upper tabs.



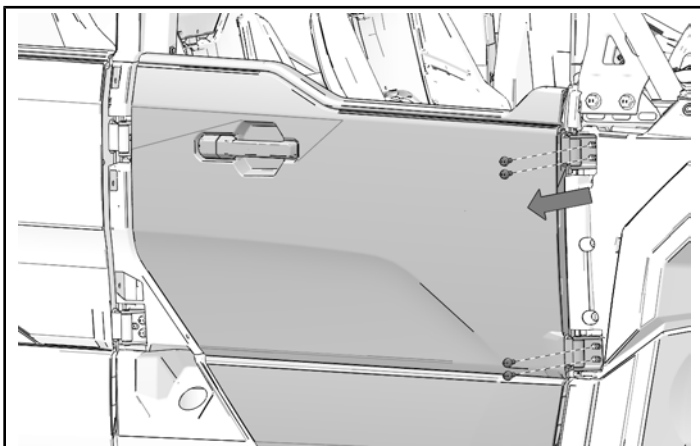
- Remove two screws and limit strap bracket from A-pillar.

NOTICE

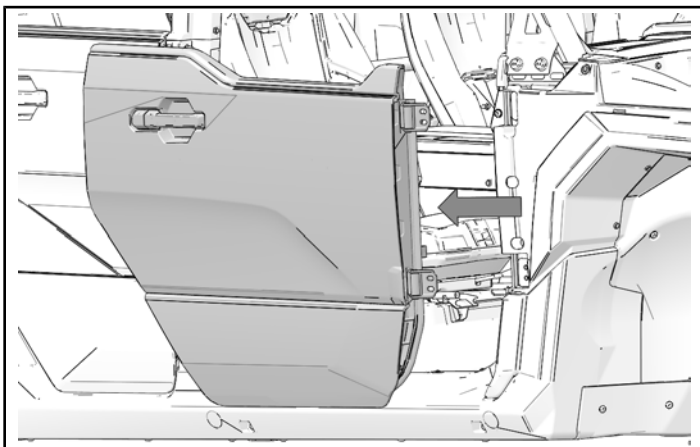
Door hidden for clarity.



- Close door and engage door with striker. This will help support door while hinge screws are removed.
- Remove four hinge screws. Door is now held by only latch and striker.



- Pull door handle to disengage striker and lift door away from vehicle.



LOWER B-PILLAR TRIM REMOVAL

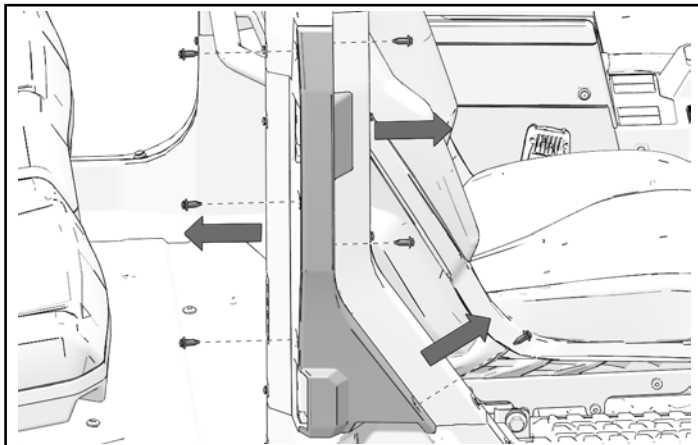
NOTICE

Lower B-pillar trim removal is only needed if rear doors are being removed.

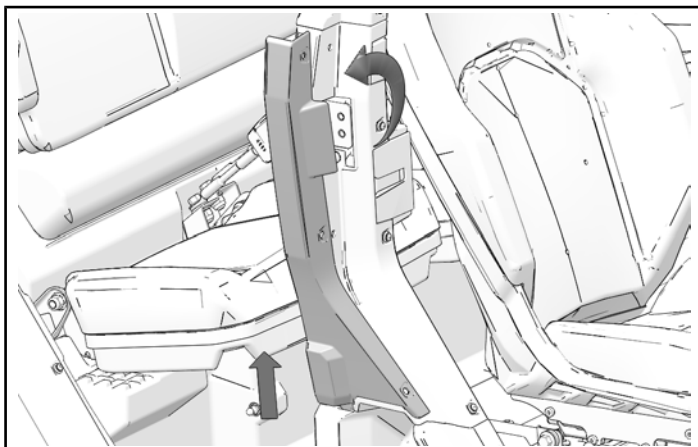
NOTICE

Right side shown; left side similar.

- Remove six push pin rivets from lower B-pillar trim.



- Turn top of trim away from vehicle. Lift trim to disengage the lower tab. Remove trim.



REAR HALF-DOOR REMOVAL

NOTICE

Right side shown; left side similar.

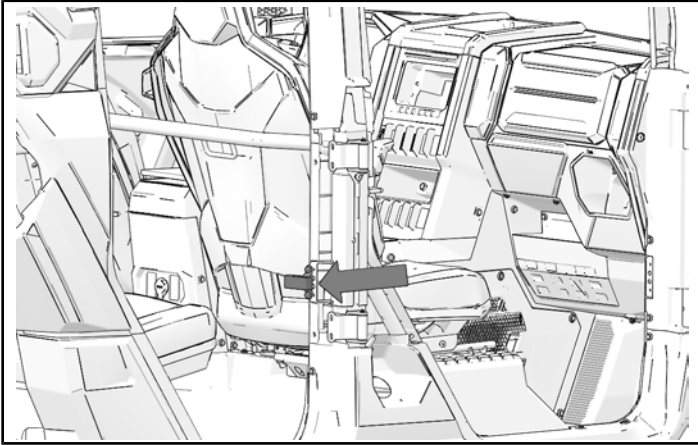
CAUTION

Doors are large and may weigh up to 60 lb (27 kg). Use assistance when lifting and moving doors.

1. Find bracket and limit strap on B-pillar.

NOTICE

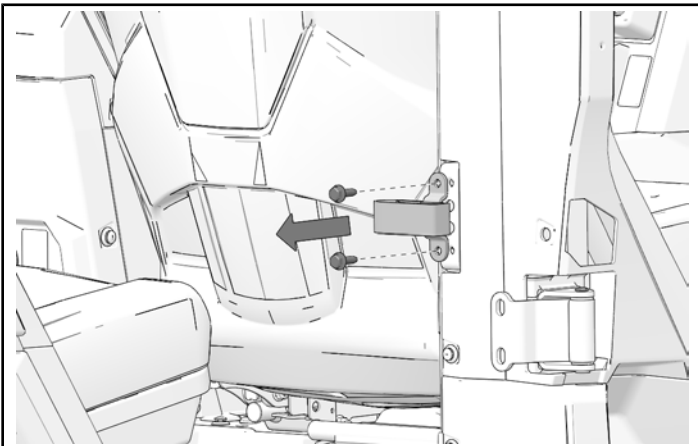
Door hidden for clarity.



2. Remove two screws and limit strap bracket from rear of B-pillar.

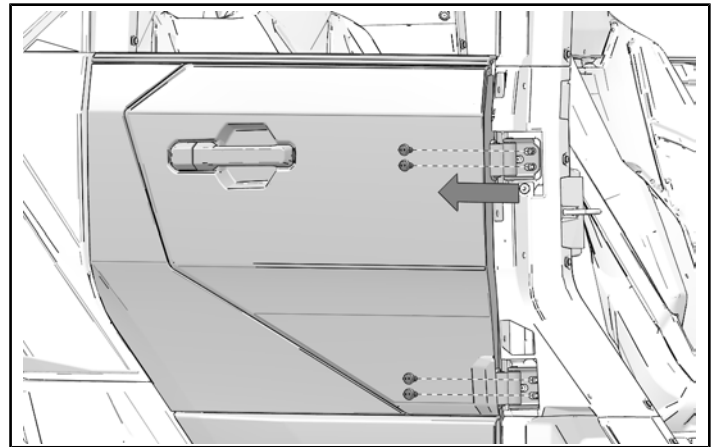
NOTICE

Door hidden for clarity.

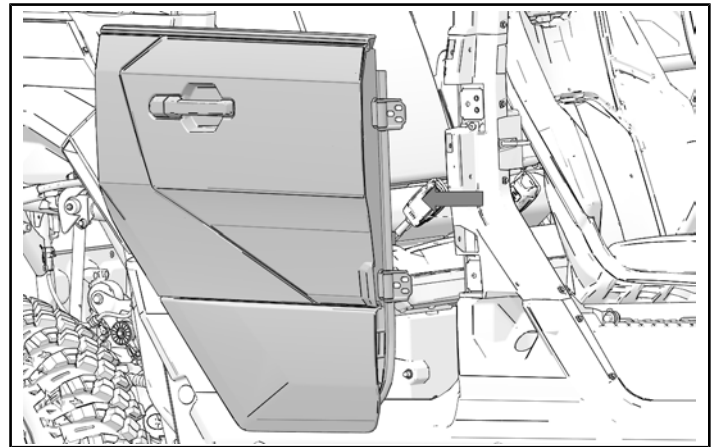


3. Close door and engage door with striker. This will help support door while hinge screws are removed.

4. Remove four hinge screws.



5. Pull door handle to disengage striker and lift door away from vehicle.

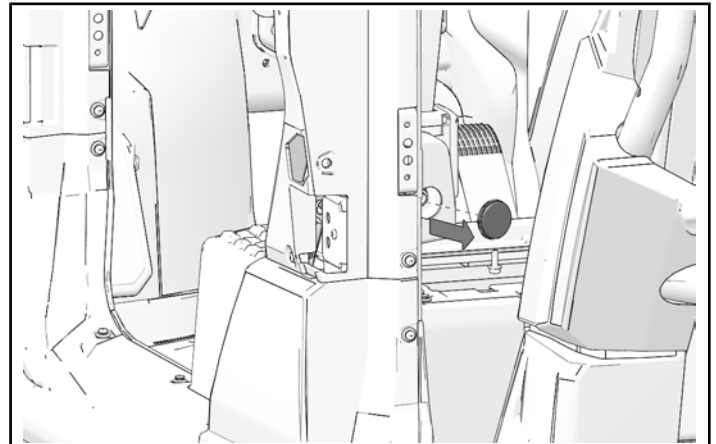


FRONT SEAT BELT RETRACTOR REMOVAL

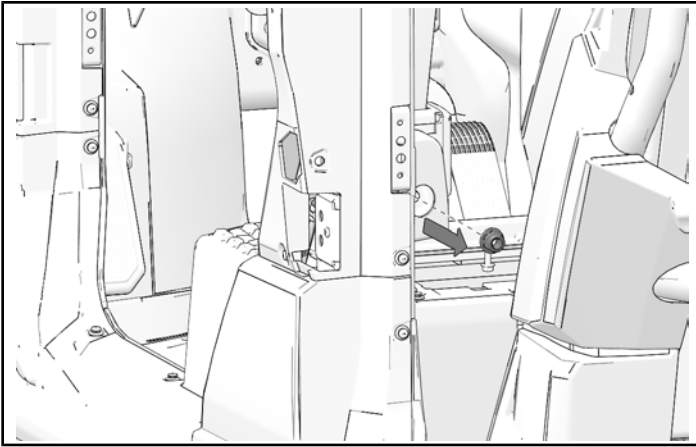
NOTICE

Left side shown; right side similar.

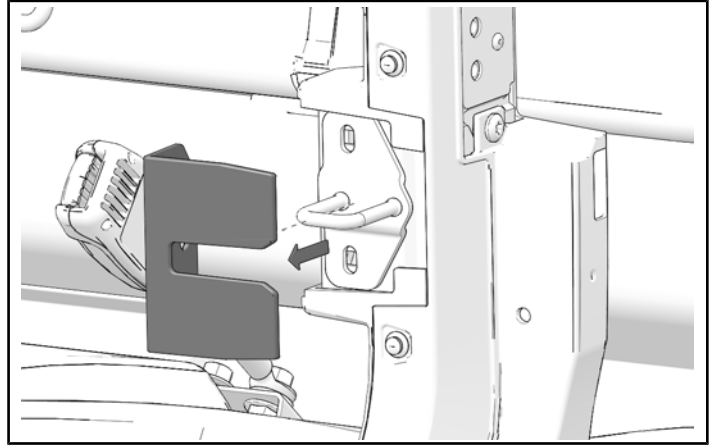
1. Remove and keep rubber plug from behind seat belt retractor.



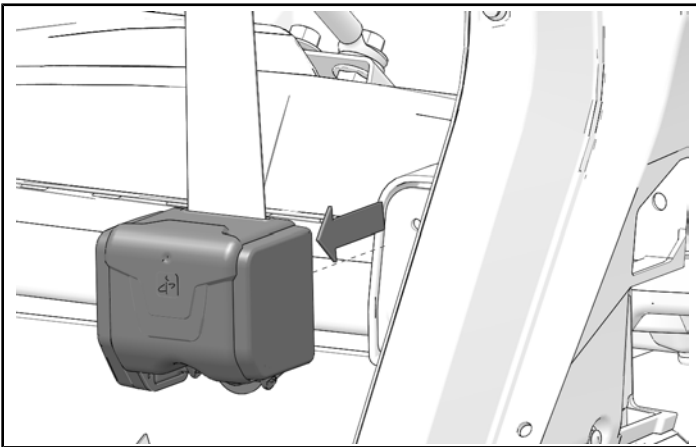
2. Remove and keep nut from rear of retractor.



2. Remove front striker cover.



3. Remove retractor from B-pillar.

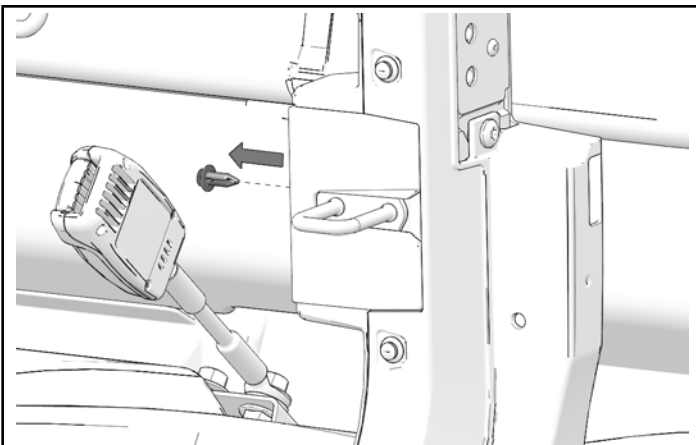


FRONT STRIKER COVER REMOVAL

NOTICE

Left side shown; right side similar.

1. Remove and keep push-pin rivet.

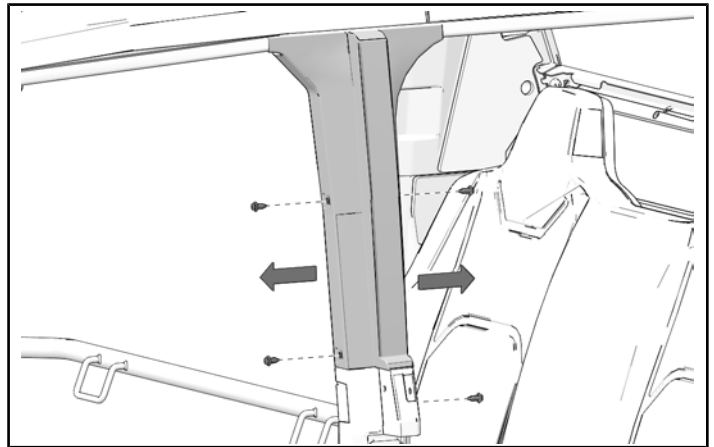


UPPER ROCKER PANEL REMOVAL

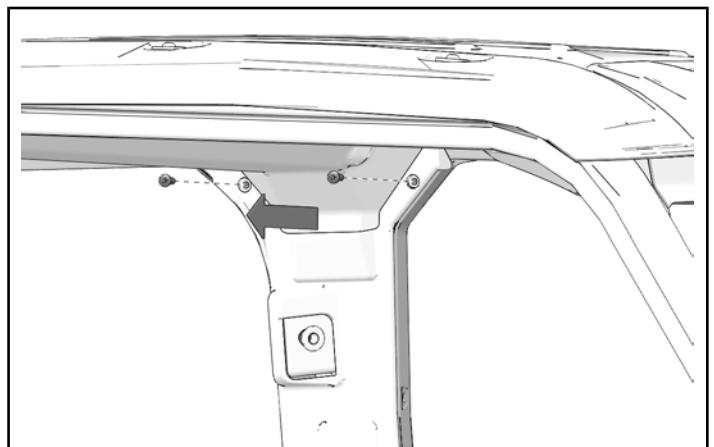
NOTICE

Left side shown; right side similar.

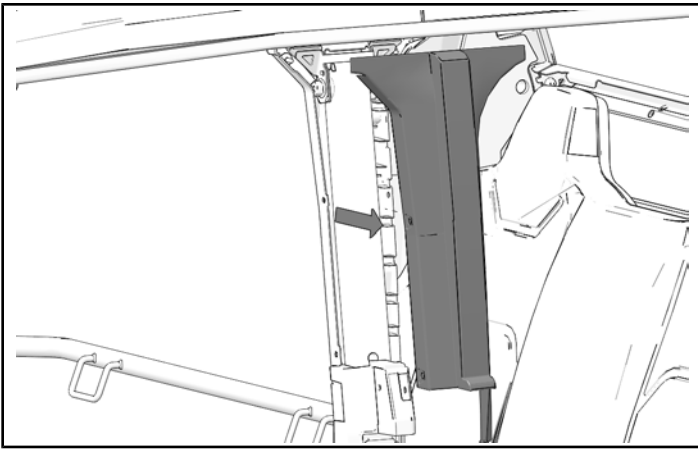
1. Remove and keep four push-pin rivets from upper rocker panel.



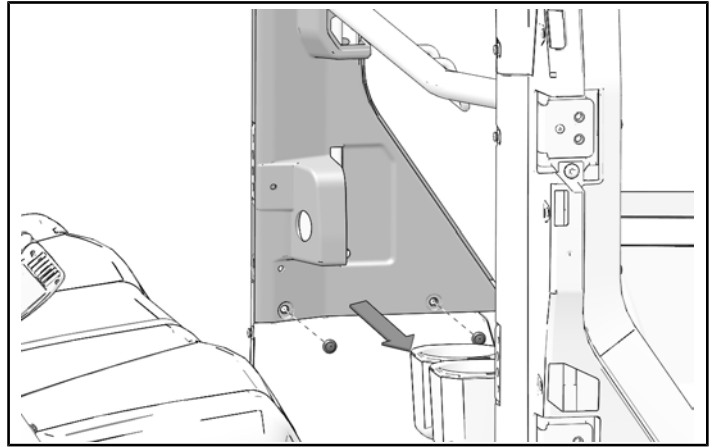
2. Remove and keep two screws from inside panel.



3. Remove and keep upper rocker panel.



3. Remove and keep two push-pin rivets from inside of lower rocker panels.

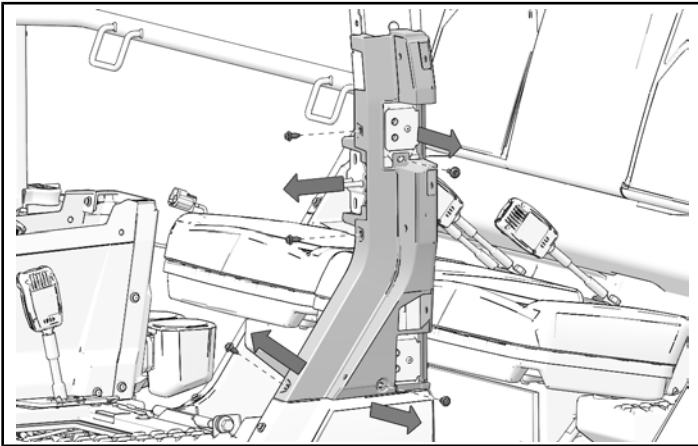


LOWER ROCKER PANELS REMOVAL

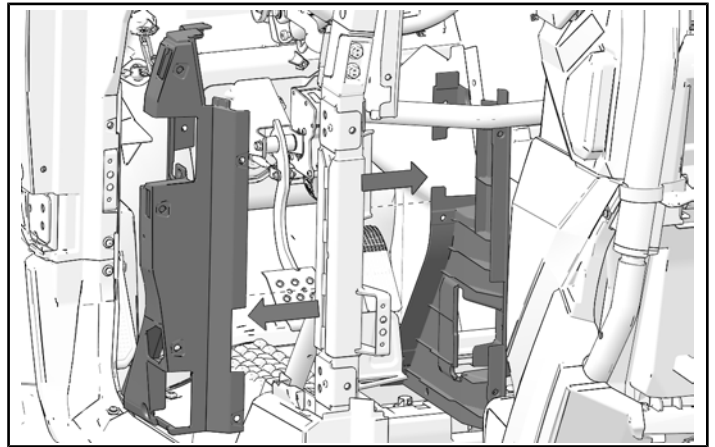
NOTICE

Left side shown; right side similar.

1. Remove and keep four push-pin rivets from lower rocker panel. Remove and keep one screw from lower rocker panel.



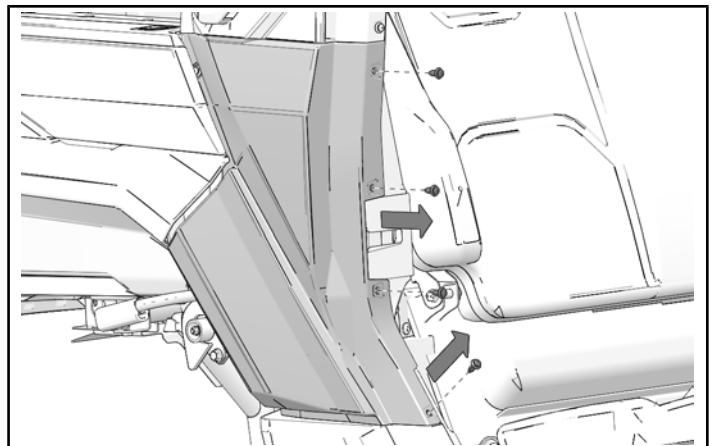
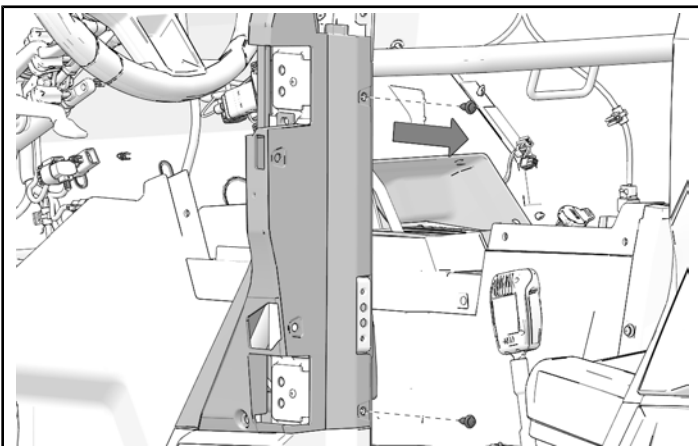
4. Remove inner and outer rocker panels.



LOOSEN REAR FENDER (RIGHT SIDE ONLY)

Remove and keep four push-pin rivets from rear fender.

2. Remove and keep two push-pin rivets from rear side of lower rocker panel.

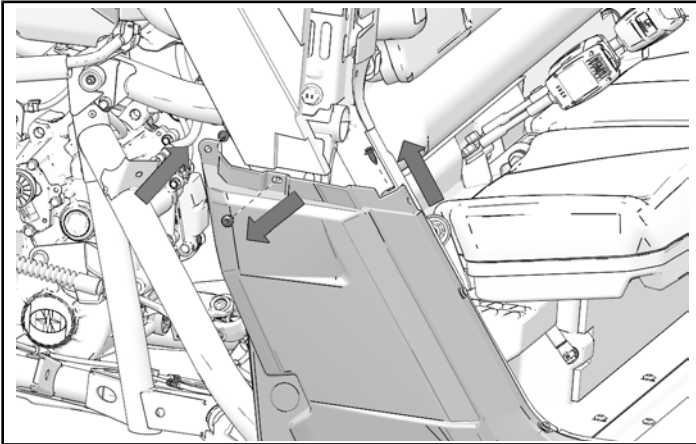


BOTTOM ROCKER PANEL REMOVAL (RIGHT SIDE ONLY)

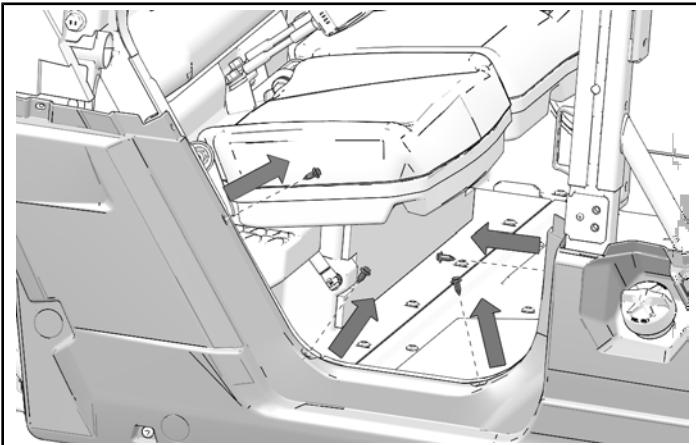
1. Pull out on bottom edge of rear fender. Remove and keep two push-pin rivets and one screw from top edge of bottom rocker panel.

NOTICE

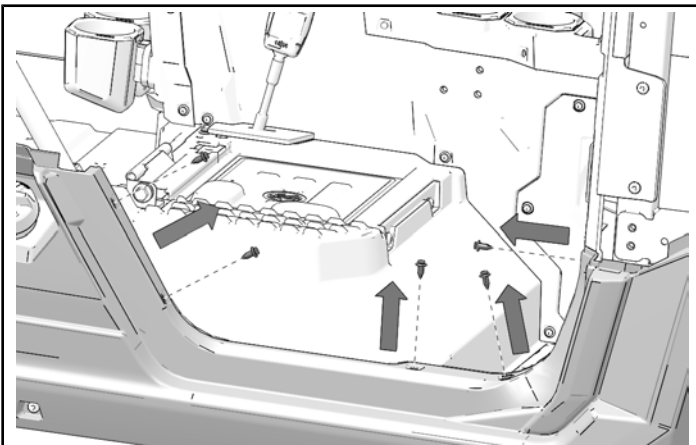
Rear fender hidden for clarity.



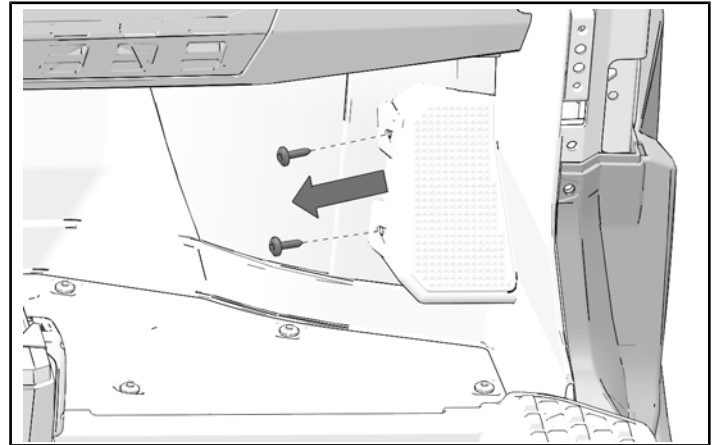
2. Remove and keep four push-pin rivets from rear door opening.



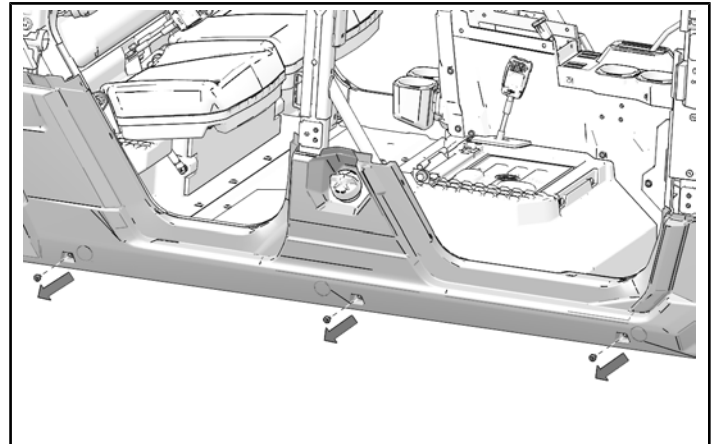
3. Remove and keep five push-pin rivets from front door opening.



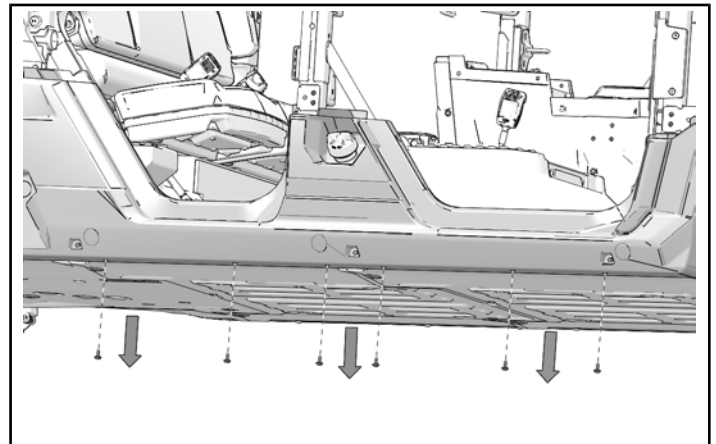
4. Remove and keep two screws from side of foothold in front of passenger seat area.



5. Remove and keep three screws from bottom rocker panel.



6. Remove and keep six screws from underside of bottom rocker panel.



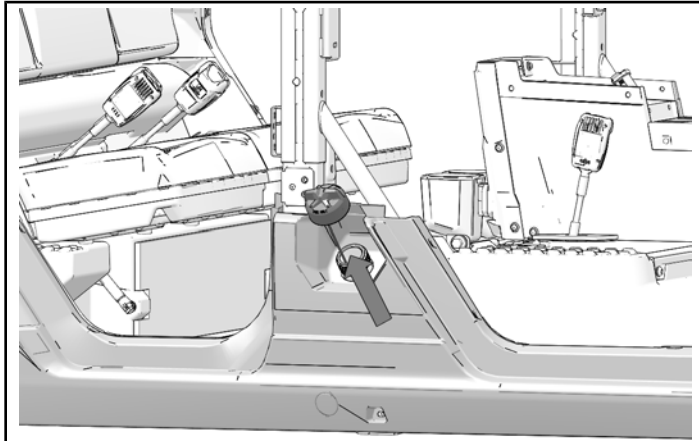
7. Unscrew fuel cap. Pull firmly on fuel cap to remove tether from fuel tank.

NOTICE

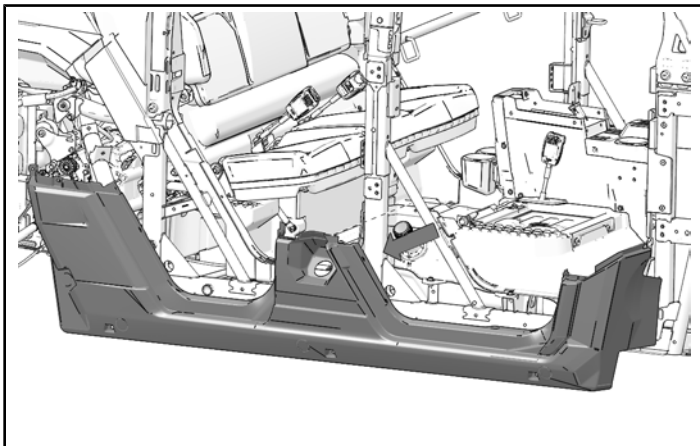
Make sure that fuel does not spill or become contaminated while fuel tank is open.

WARNING

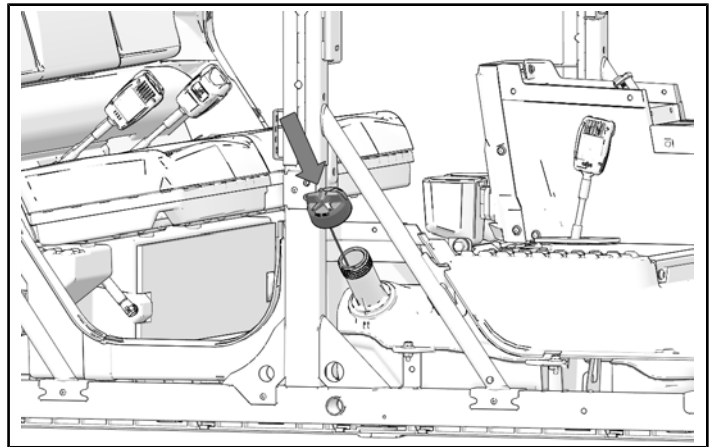
Fuel is extremely flammable and may cause severe burns, injury, or death. Do not use any device that produces a flame or electrical devices that may spark around fuel or fuel vapors.



8. Remove bottom rocker panel.



9. Install fuel cap on fuel tank. Tighten fuel cap.



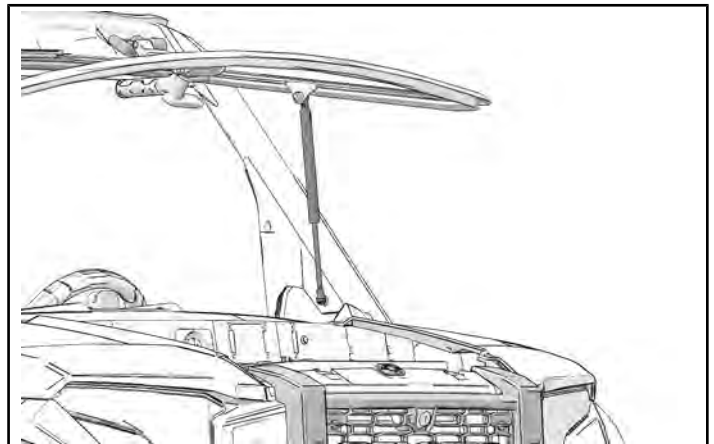
CENTER DASH PANEL REMOVAL

VEHICLES WITH TIP-OUT WINDSHIELD

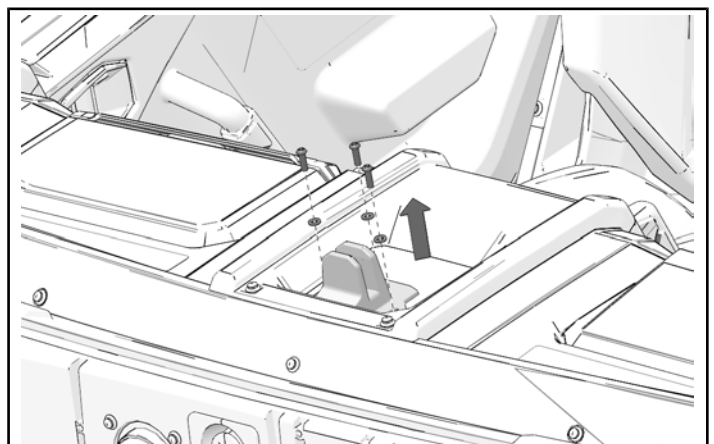
NOTICE

For vehicles without tip-out windshield, proceed to Panel Removal.

1. Open tip-out windshield.

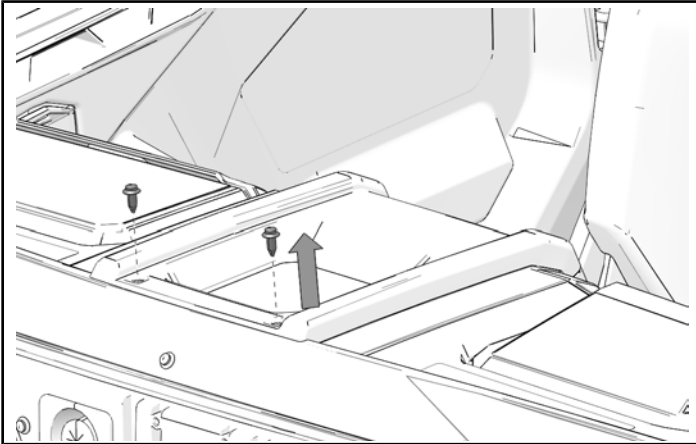


2. Remove and keep three screws and washers. Remove and keep windshield base.

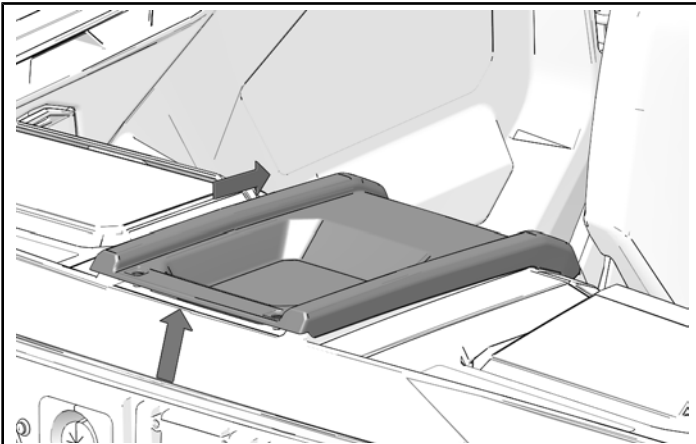


PANEL REMOVAL

1. Remove and keep two push-pin rivets from center dash panel.



2. Remove and keep panel by lifting front edge and moving backward.

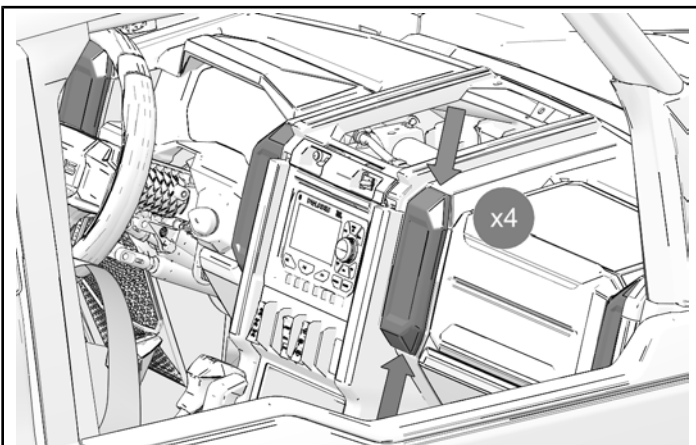


REMOVE DASH COVER

1. Remove four dash vents/covers. Pry simultaneously at top and bottom of vent/cover to remove.

IMPORTANT

Make sure white clips on back of vents/covers do not become lost.



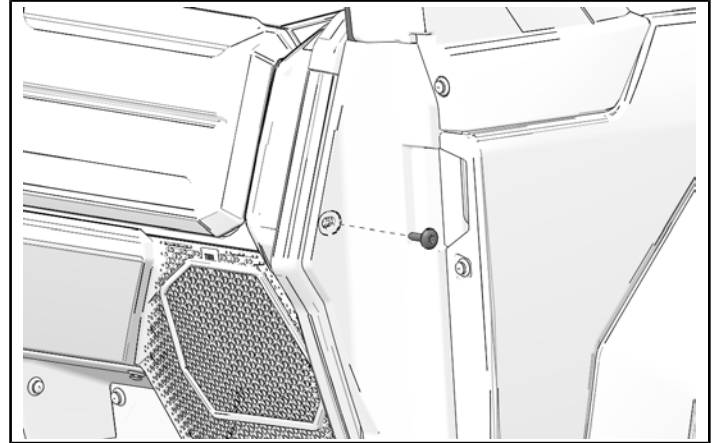
2. Remove one screw at each side of dash cover.

NOTICE

Right side shown; left side similar.

TIP

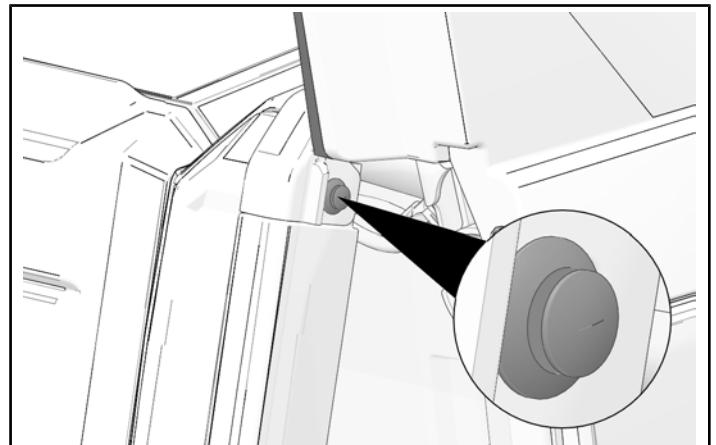
Doors will need to be fully open to access and remove these screws. Removal of these screws allows cover to be pulled open in next step to remove push-pin rivet.



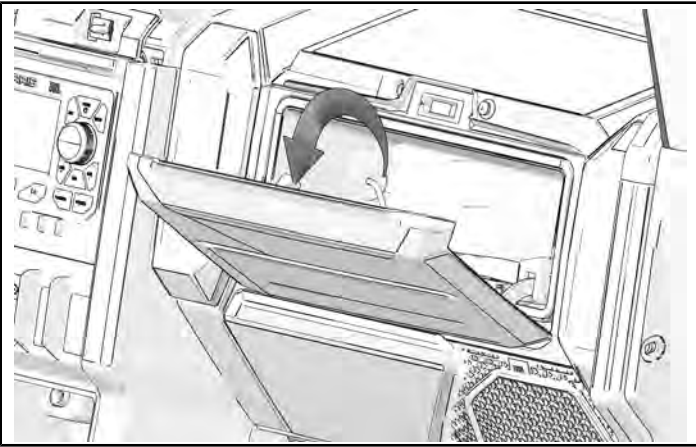
3. Carefully pull plastic cover away from lower A-pillar area and remove one push-pin rivet from side of dash cover.

NOTICE

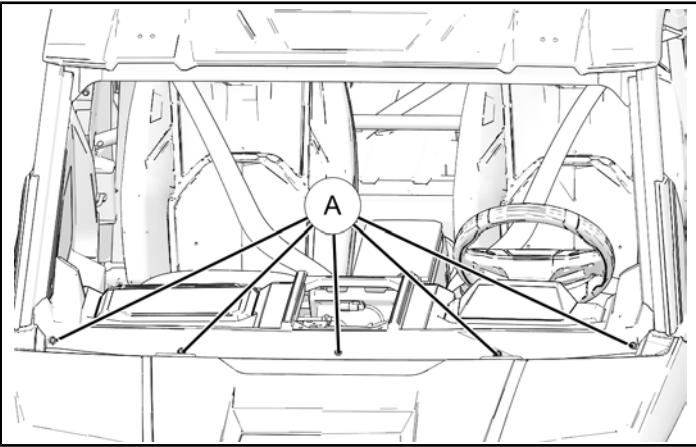
A-pillar trim hidden for clarity.



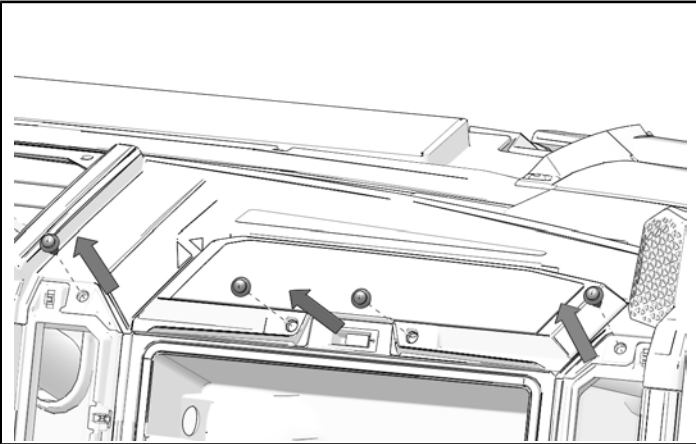
4. Open glove box.



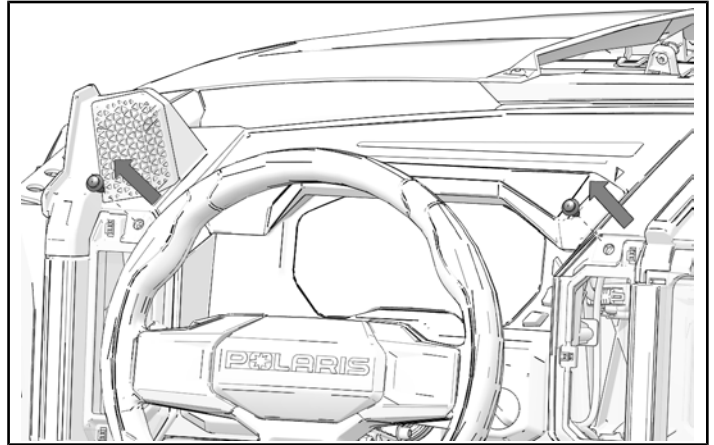
5. Remove and keep five screws (A) and washers at front of dash cover.



6. Remove four push-pin rivets from passenger side of dash cover.



7. Remove two push-pin rivets from drivers side of dash cover.



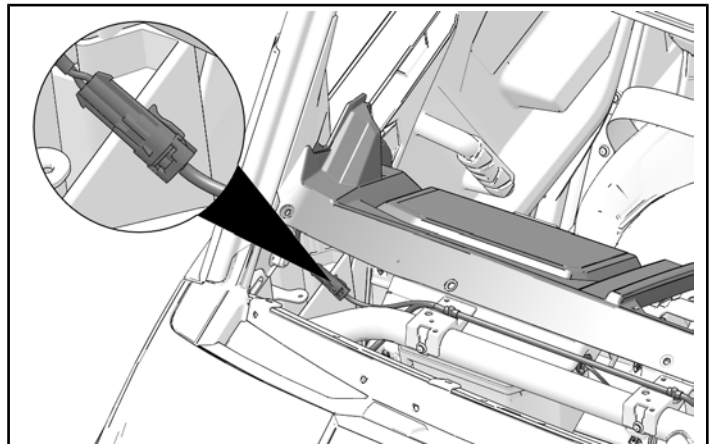
8. Lift up and forward to remove dash cover.

TIP

Lift up on front center of dash to disengage two radio retention tabs.



9. If vehicle is equipped with upper tweeters, make sure to unplug tweeters when removing dash cover.



HEAD UNIT REMOVAL

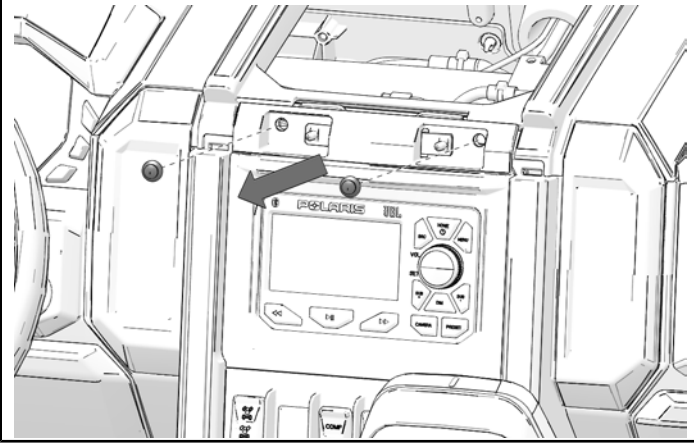
NOTICE

Vehicles without audio system will have a storage bin in place of head unit. Storage bin is removed in a similar manner to head unit.

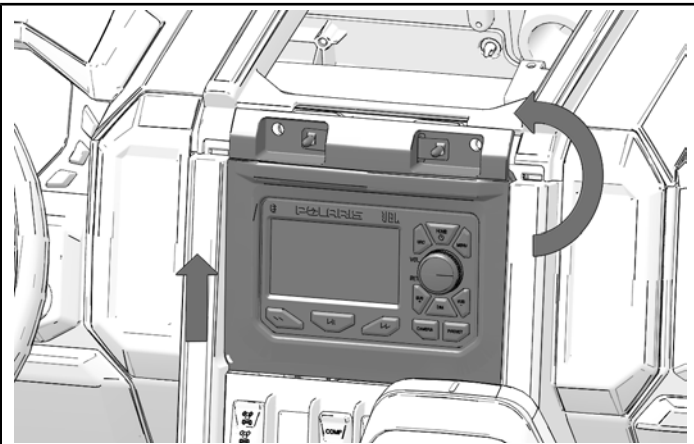
NOTICE

Base audio head unit removal shown. Ride Command® display removal similar.

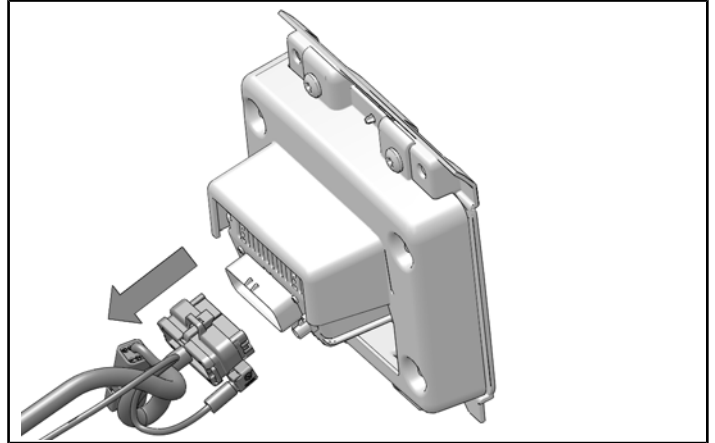
1. Remove and keep two push-pin rivets from top of the head unit.



2. Pull top of head unit away from dash and lift head unit up to remove from dash.



3. Disconnect wiring harness and antenna from head unit. Remove and keep head unit.



REMOVE DASHBOARD

NOTICE

Doors hidden for clarity

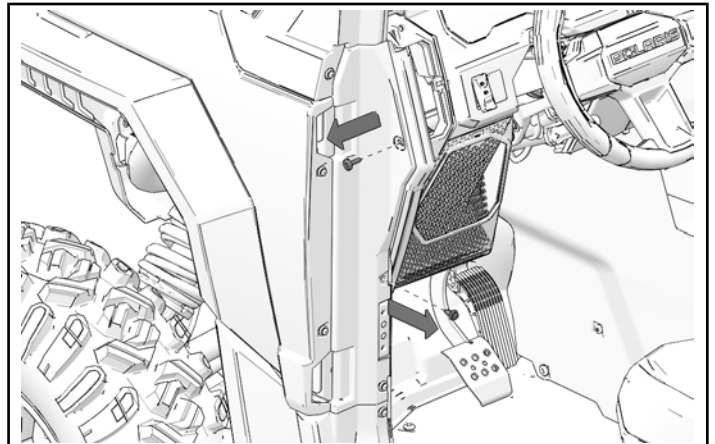
1. Remove and keep screw and push-pin rivet from left side door frame.

NOTICE

Left side shown; right side similar.

TIP

Doors will need to be fully open to access and remove these fasteners. Removal of these fasteners allows trim to be pulled open in next step to remove push-pin rivet.



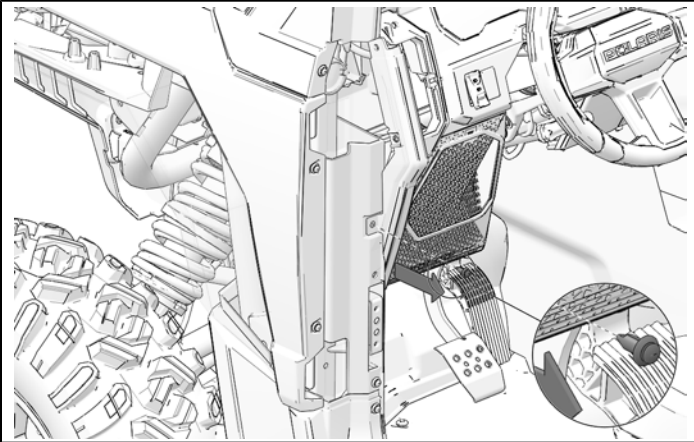
2. Carefully pull trim away from vehicle and remove one push-pin rivet from side of dashboard.

NOTICE

Left side shown; right side similar.

NOTICE

Trim hidden for clarity.



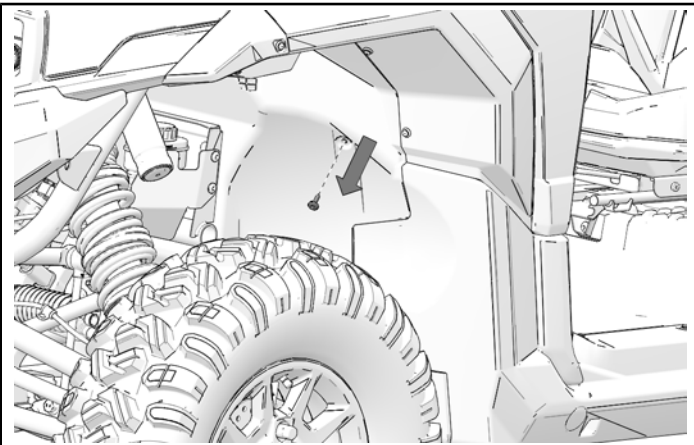
3. Remove one screw from each front wheel well.

NOTICE

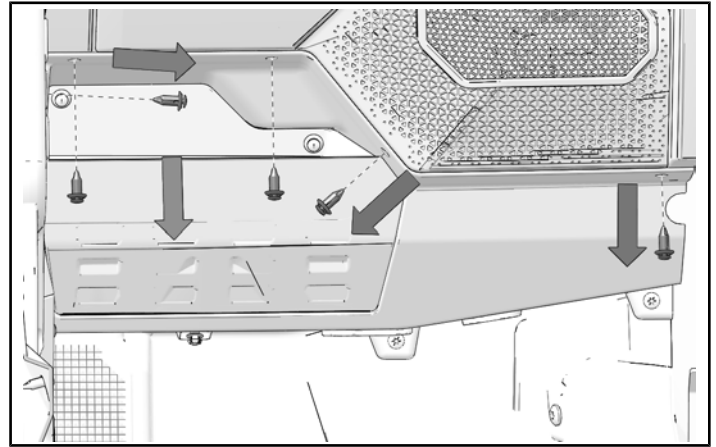
Left side shown; right side similar.

NOTICE

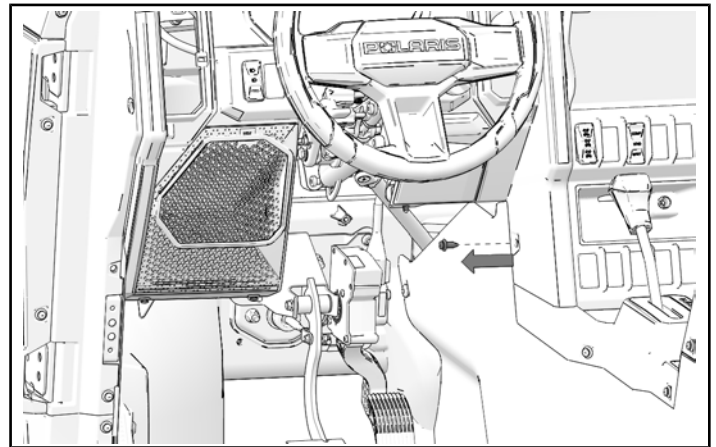
When dashboard is removed, check that u-nut for this screw is still attached to dashboard panel.



4. Remove five push-pin rivets from bottom of dashboard in front of passenger seat.



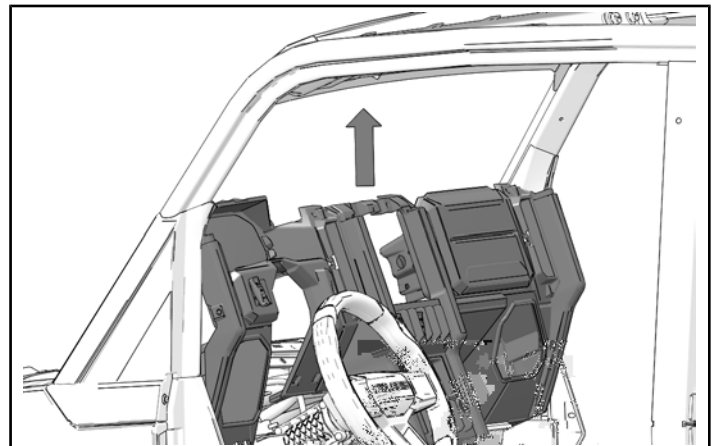
5. Remove push-pin rivet from bottom of dashboard in front of drivers seat.



6. Remove dashboard from vehicle.

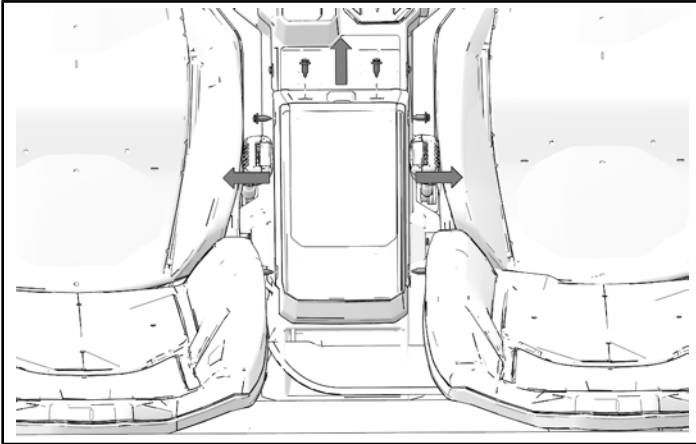
NOTICE

Make sure to disconnect electronic components (switches, speakers, etc.) prior to removing dashboard. Label locations of removed components to ease later installation.



REMOVE CENTER CONSOLE

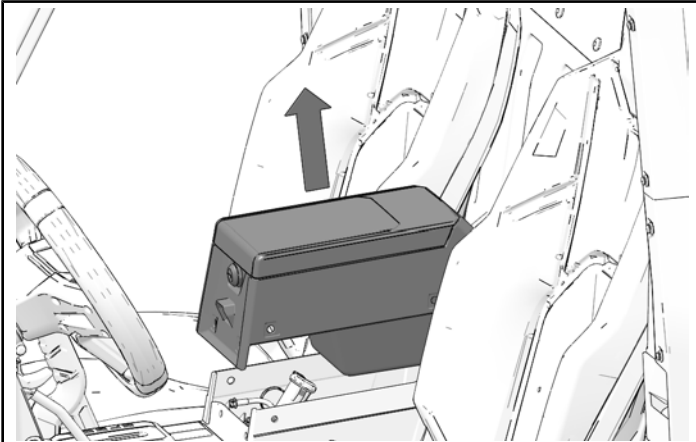
1. Remove six push-pin rivets from base of center console.



2. Lift up console to remove.

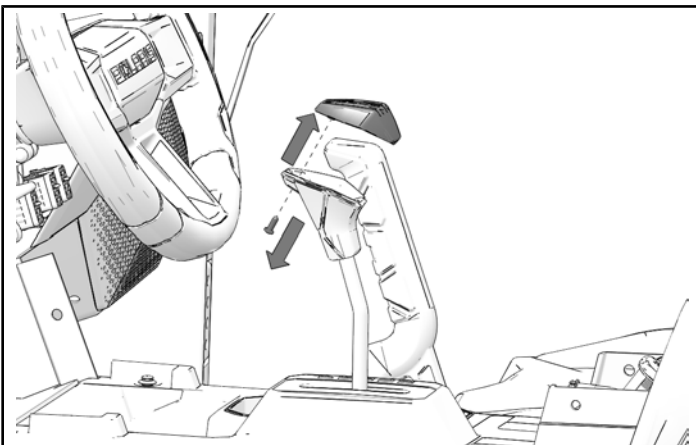
NOTICE

Make sure to disconnect electronic components (12V outlet, USB port, LED light, etc.) prior to removing console.

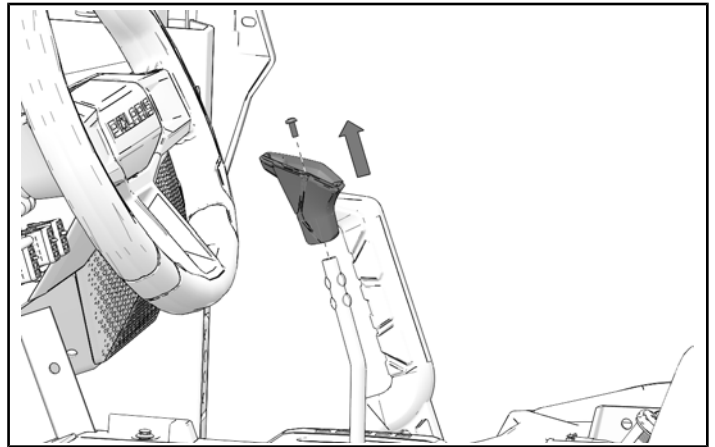


REMOVE SHIFT LEVER COVER

1. Remove screw from bottom of shift lever knob. Remove cap from knob.



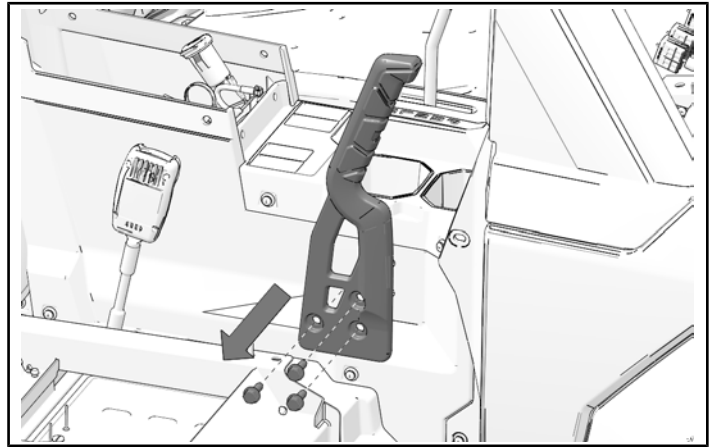
2. Remove screw from inside knob base. Remove knob base.



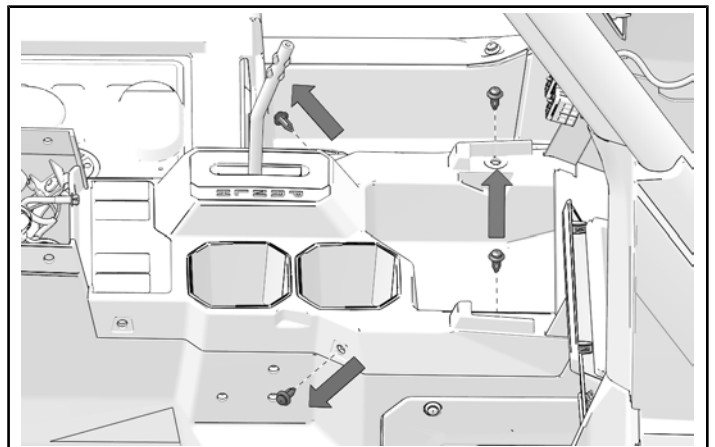
3. Remove and keep three screws and grab handle.

NOTICE

Passenger seat hidden for clarity.

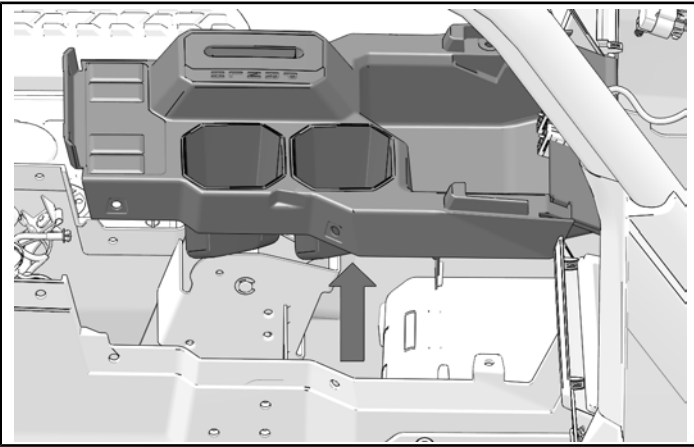


4. Remove and keep four push-pin rivets from cover.



5. Place shift lever in NEUTRAL position. This will aid removal and later installation.

6. Lift cover to remove.



FRONT DOOR TRIM PANEL REMOVAL (MULTI-PASSENGER VEHICLE)

NOTICE

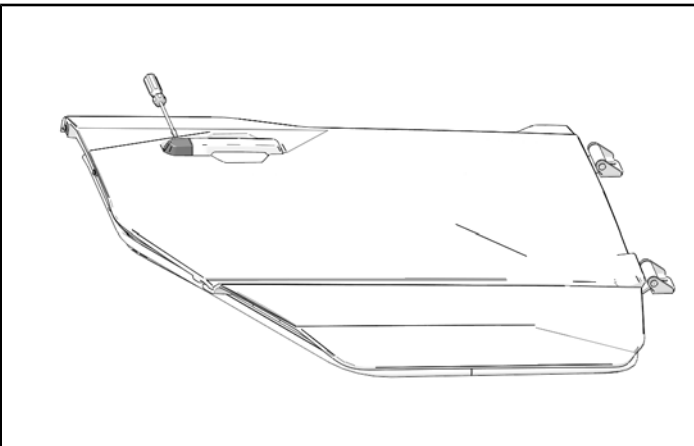
Right side shown; left side similar.

1. Set door on a flat surface, with outside facing up.

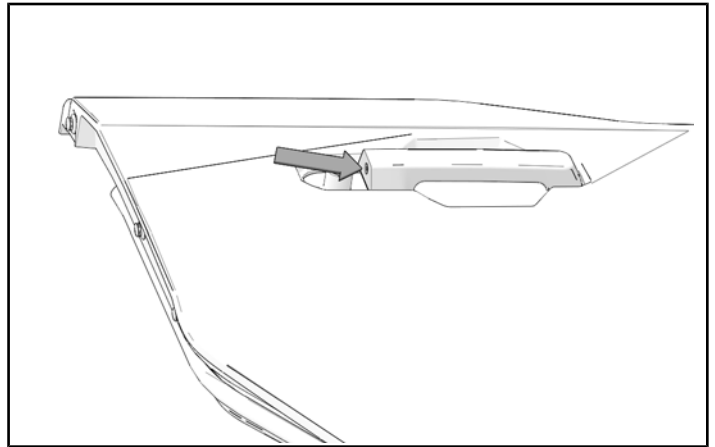
CAUTION

Protect painted/plastic surfaces with protective cloth/tape during removal or installation.

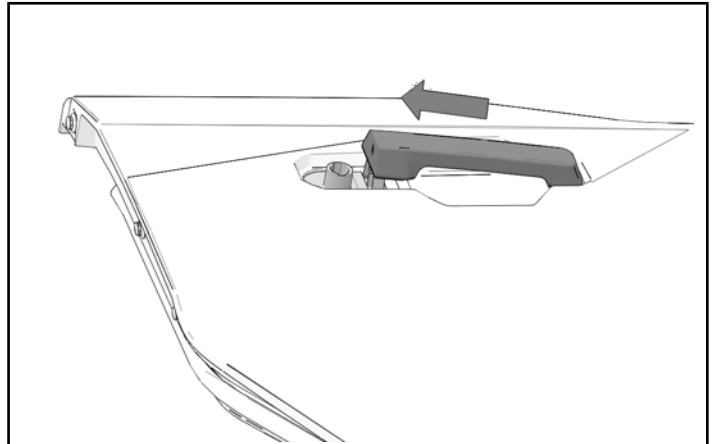
2. Remove and keep handle cover by prying up cover.



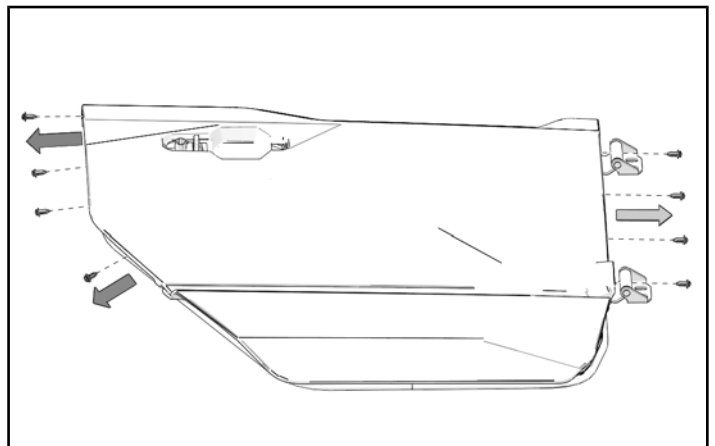
3. Remove and keep screw to separate handle from actuator.



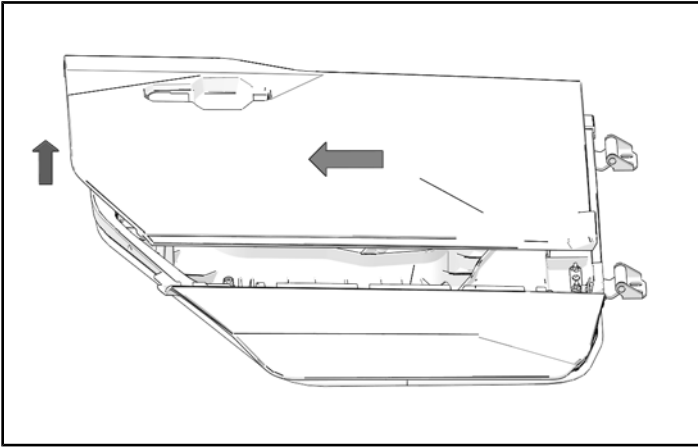
4. Lift handle away from actuator and pull backwards to remove handle. Keep handle for later installation.



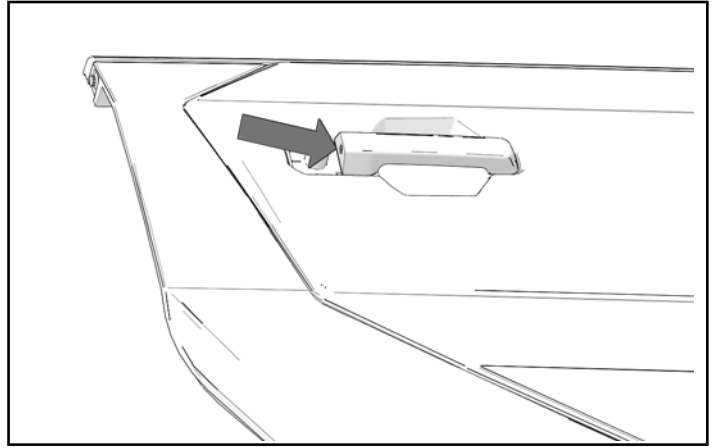
5. Remove and keep eight push pin rivets from door.



6. Move panel toward rear and lift to remove panel. Keep panel for later installation.



3. Remove and keep screw to separate handle from actuator.



REAR DOOR TRIM PANEL REMOVAL

NOTICE

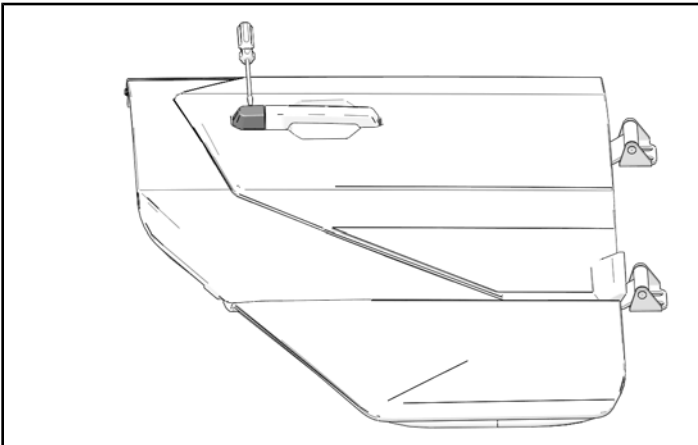
Right side shown; left side similar.

1. Set door on a flat surface, with the outside facing up.

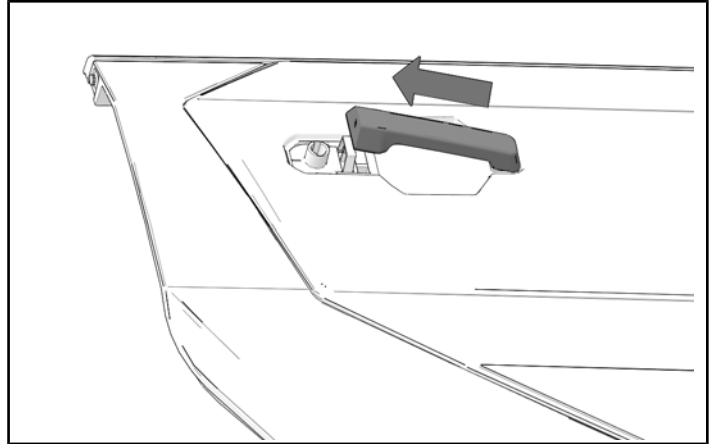
CAUTION

Protect painted/plastic surfaces with protective cloth/tape during removal or installation.

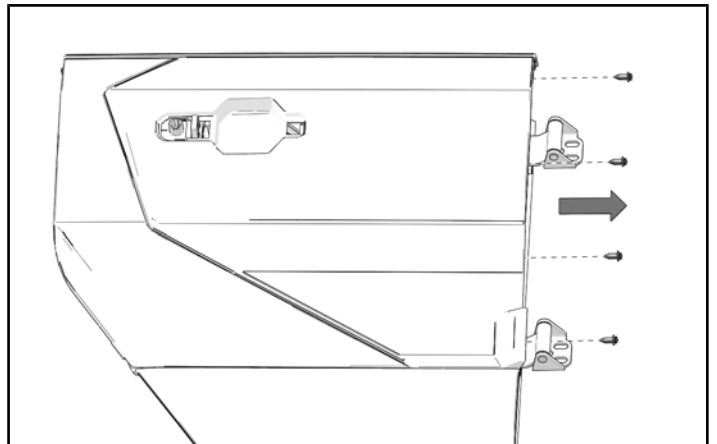
2. Remove and keep handle cover by prying up cover.



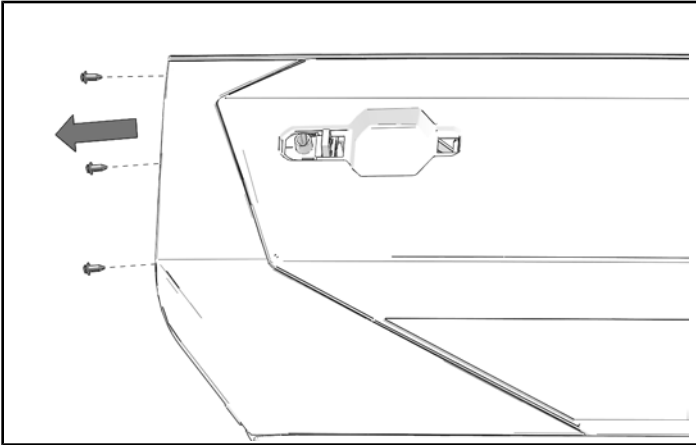
4. Lift handle away from actuator and pull backwards to remove handle. Keep handle for later installation.



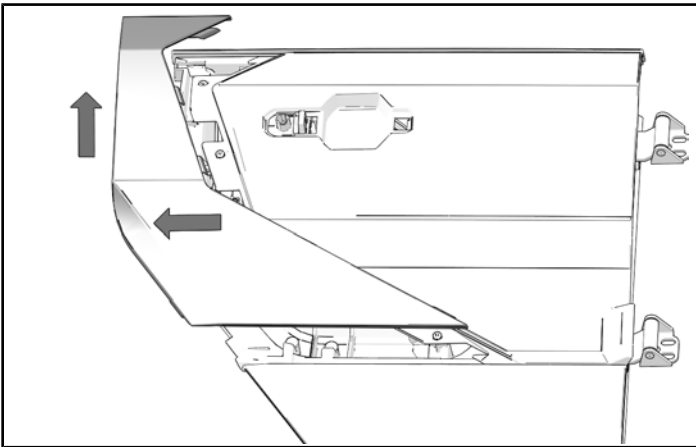
5. Remove and keep four push pin rivets from front of door.



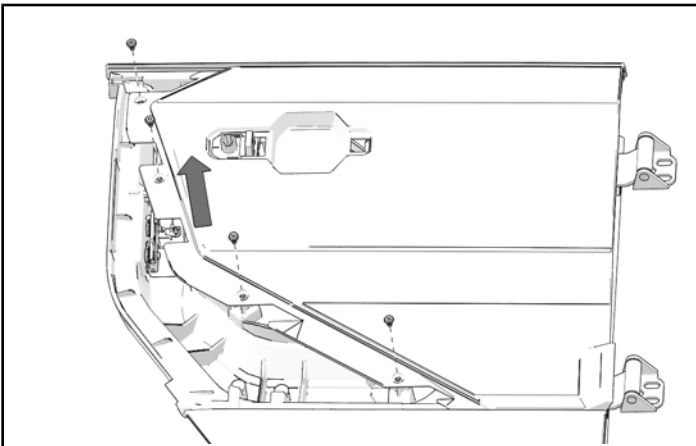
- Remove and keep three push pin rivets from rear of door.



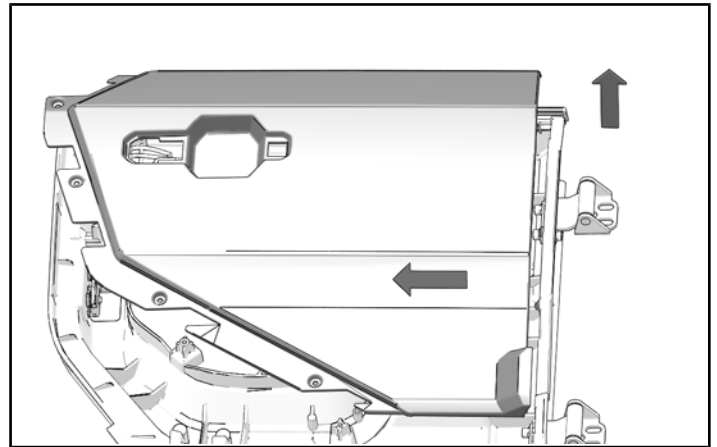
- Move filler panel toward rear and lift to remove panel. Keep panel for later installation.



- Remove and keep four screws.



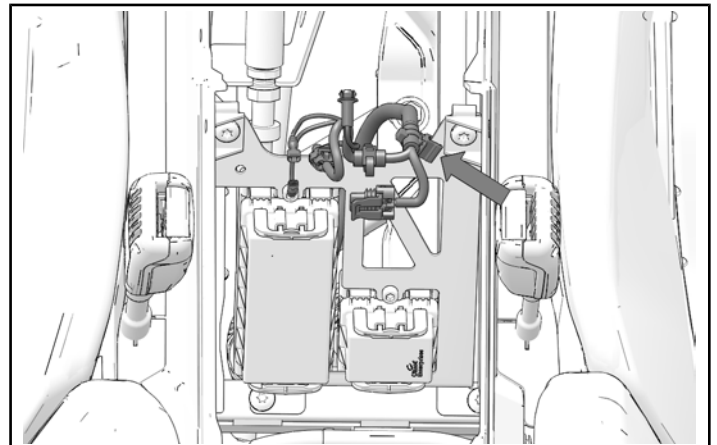
- Move trim panel toward rear and lift to remove panel. Keep panel for later installation.



ACCESSORY INSTALLATION

BRACKET REPLACEMENT

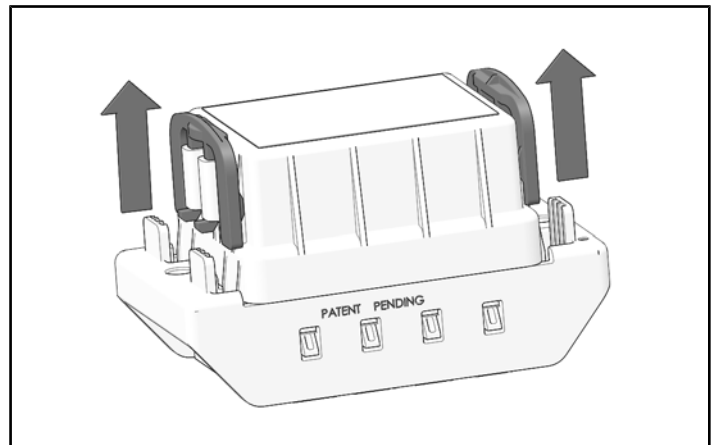
- Detach harness clip from top of center console bracket. Carefully remove harness from top of bracket.



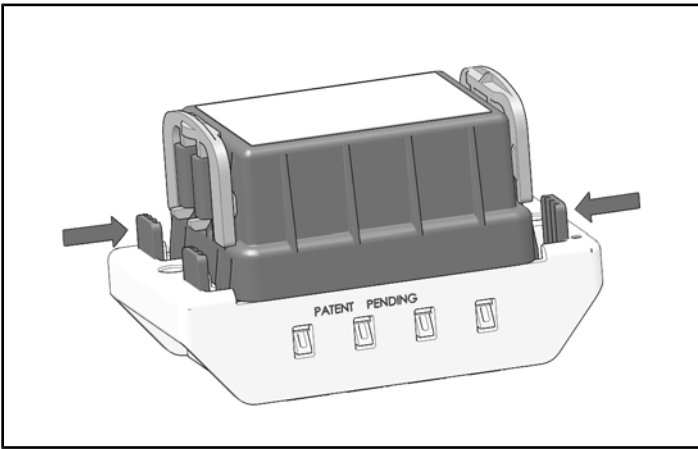
- Remove covers from fuse boxes. Pull up on yellow handles on each end of fuse block.

NOTICE

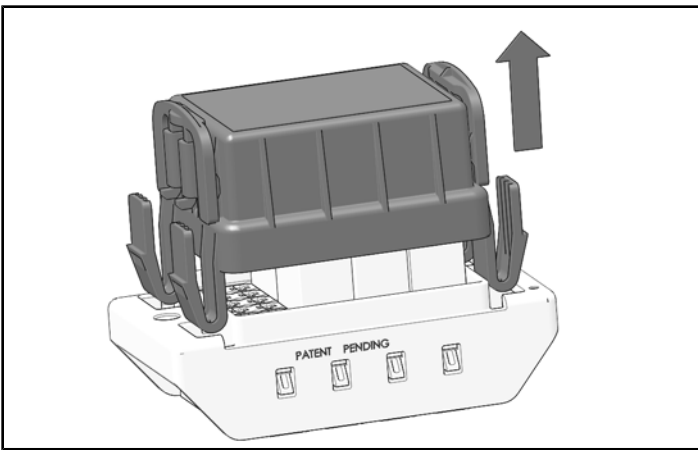
Typical fuse block shown.



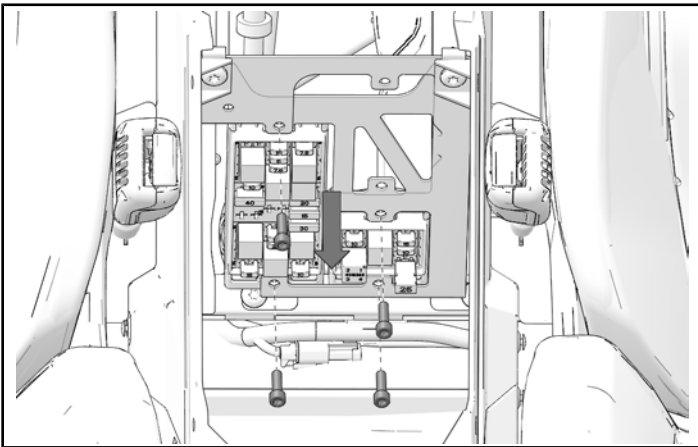
3. Push in on four corner tabs of cover.



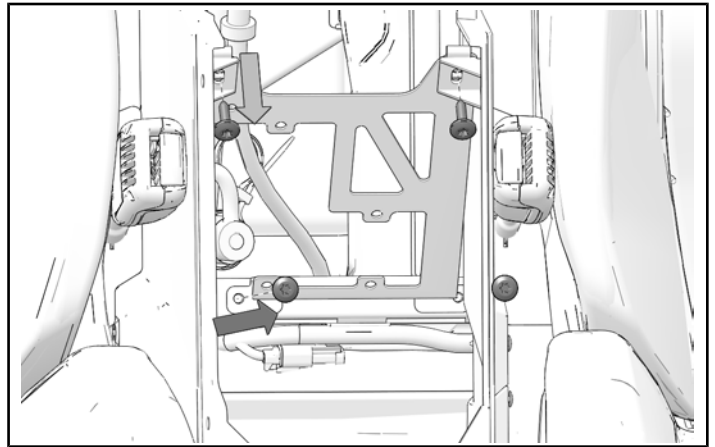
4. Lift cover away from fuse block.



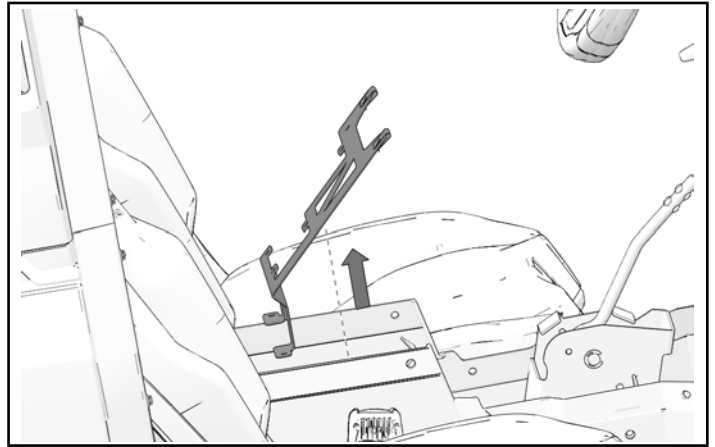
5. Remove four screws to remove fuse bases from bracket.



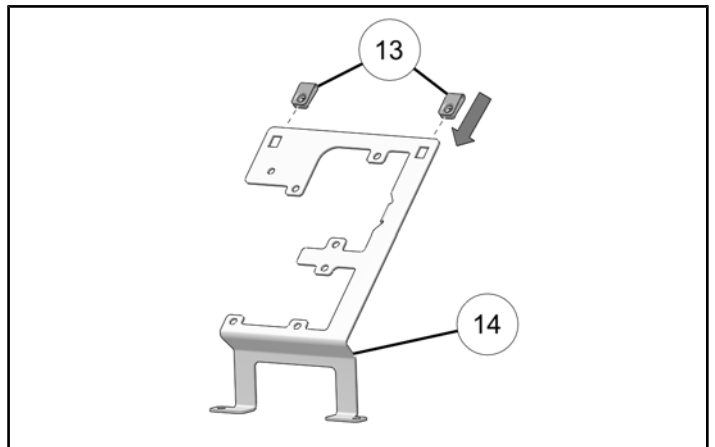
6. Remove four screws to disassemble bracket from center console.



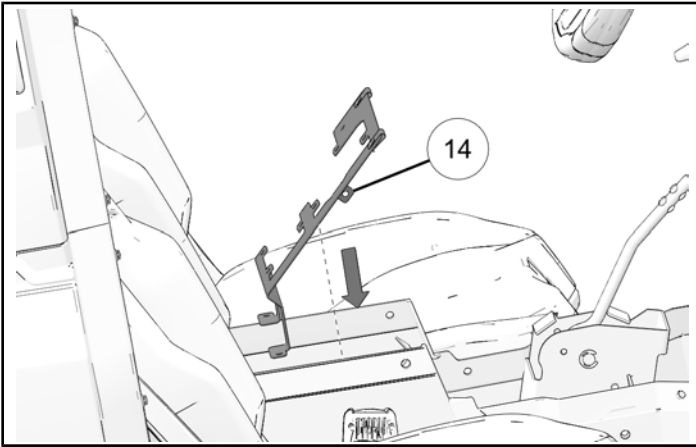
7. Remove bracket.



8. Install two U-clips (13) at top of bracket (14).



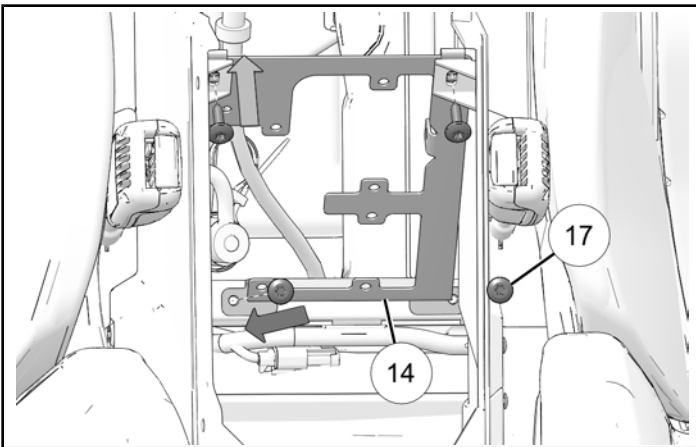
9. Install bracket ⑭ in center console.



10. Install four screws ⑰ to assemble bracket ⑭ to center console. Torque screws ⑰ to specification.

TORQUE

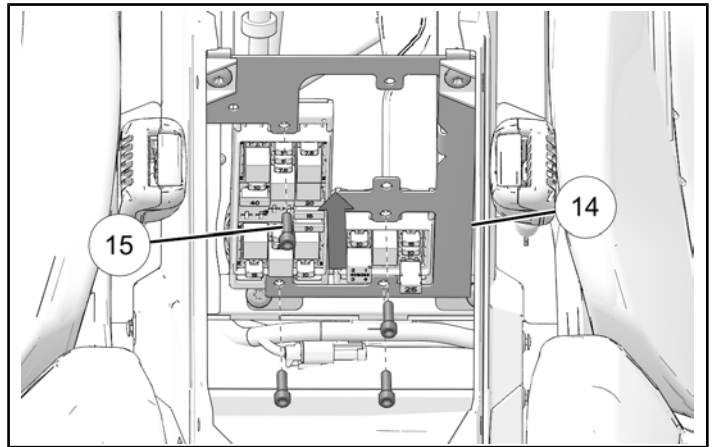
Screws ⑰:
106 in-lbs (12 N·m)



11. Install four screws ⑱ to attach fuse bases to bracket ⑭. Torque screws ⑱ to specification.

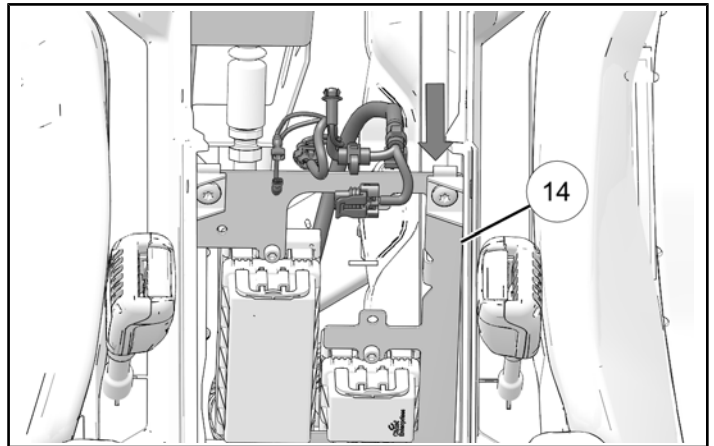
TORQUE

Screws ⑱:
106 in-lbs (12 N·m)



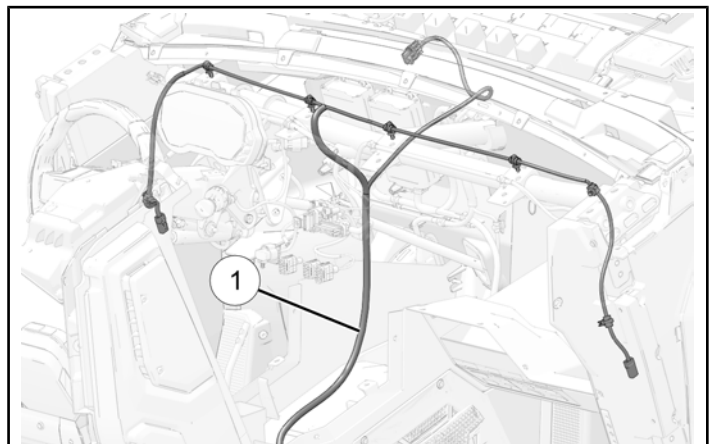
12. Install fuse box covers.

13. Attach edge clip for harness to top of bracket ⑭.

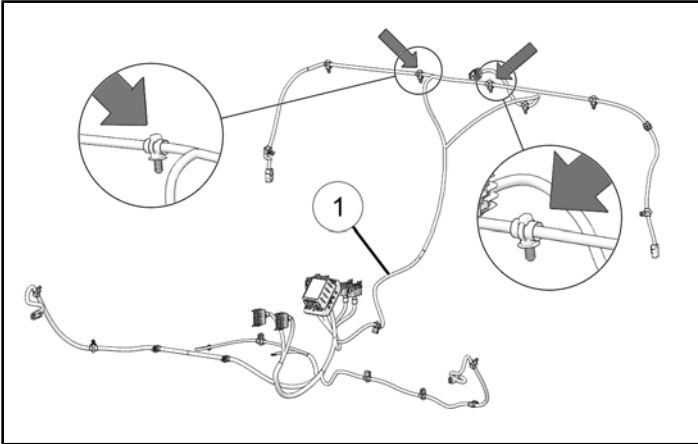


MAIN HARNESS INSTALL

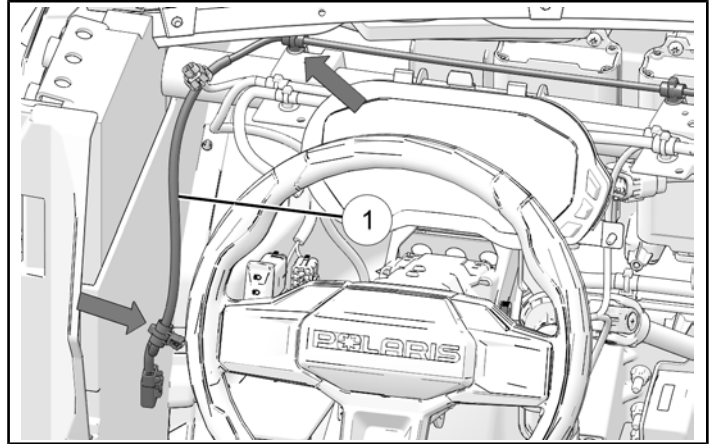
1. Overview of routing of front area of harness.



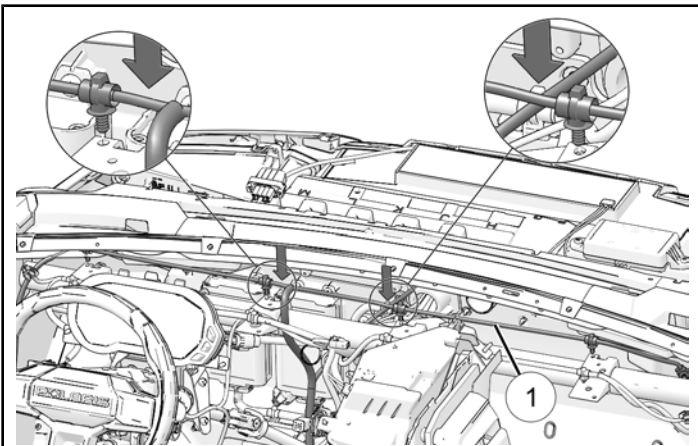
- Find first harness mount on left side leg of harness ① and first harness mount on right side leg of harness.



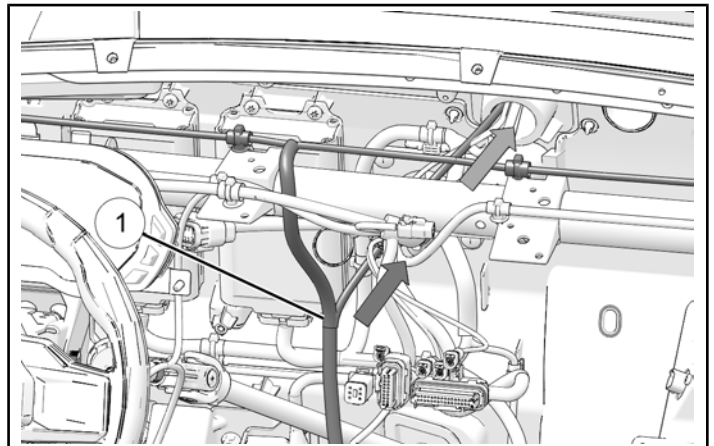
- Route left leg of harness ①. Install mount into left side routing clip. Edge clip near harness end will attach to dashboard when dashboard is installed.



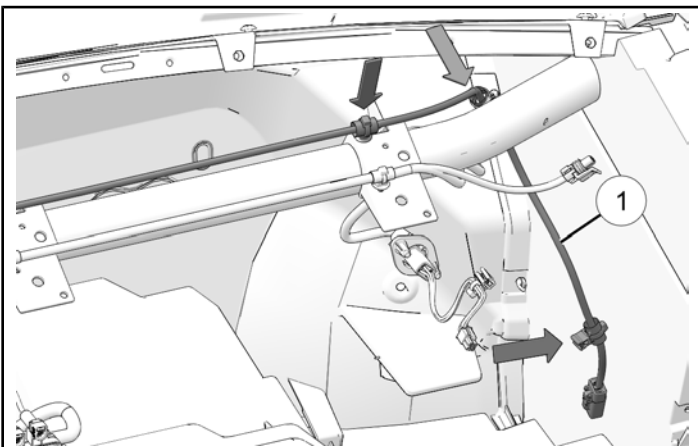
- Install harness mounts into routing clips at top center of dashboard.



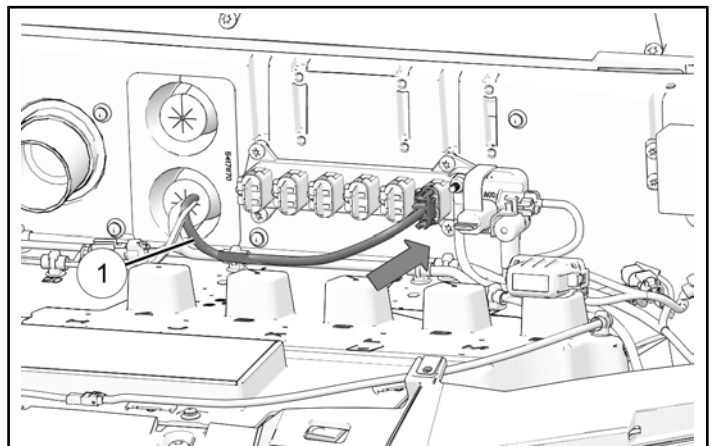
- Route front leg of harness ① through lower grommet hole to underhood area.



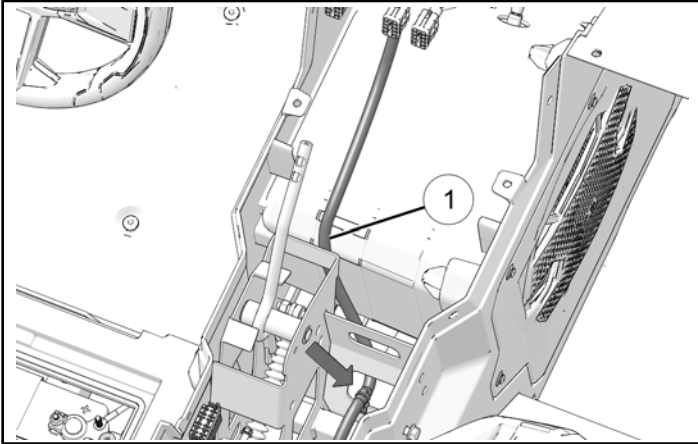
- Continue routing right leg of harness ①. Install mounts into next routing clip and into hole in dashboard frame. Edge clip near harness end will attach to dashboard when dashboard is installed.



- Connect front leg of harness ① to Polaris Pulse® Bar.

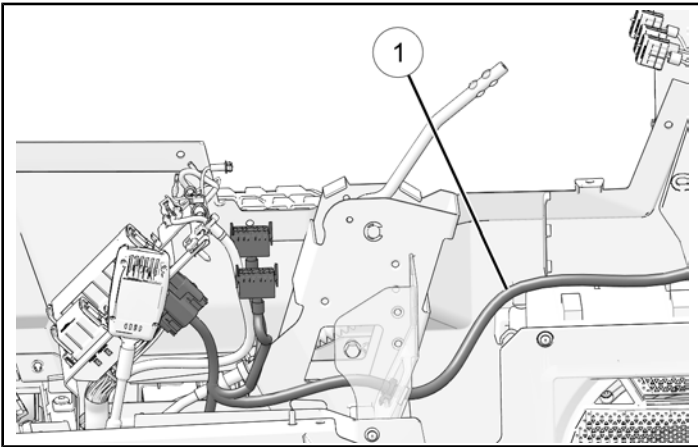


8. Route remaining harness leg down to center console area. Attach edge clip to grab handle mounting bracket.



NOTICE

Right side view with components hidden for clarity.

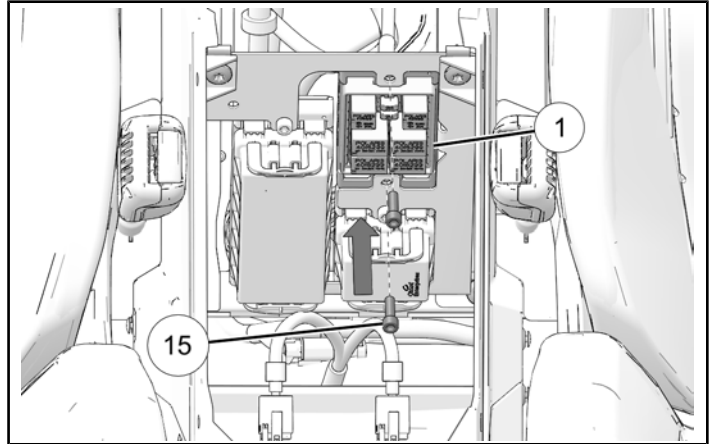


9. Remove cover from fuse block on harness ①.

10. Install fuse block of harness ① into space on right side of mounting bracket. Install two screws ⑮. Torque screws to specification.

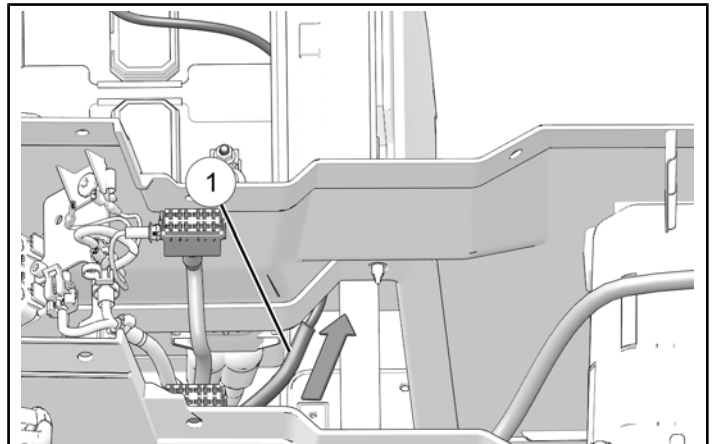
TORQUE

Screws ⑮:
106 in-lbs (12 N·m)



11. Install cover on fuse box.

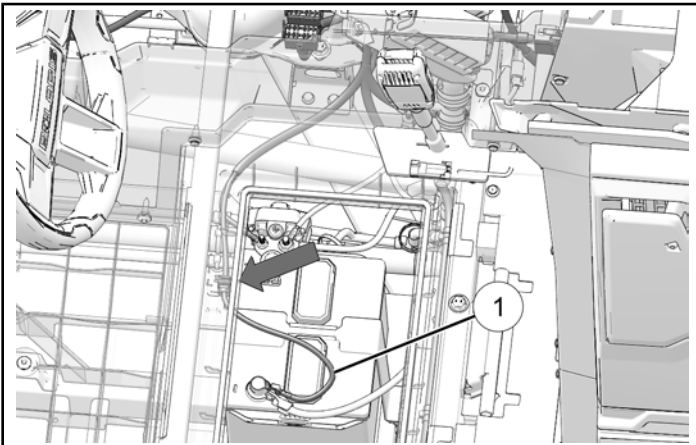
12. Route battery terminals to battery box.



13. Left side view of battery harness routing. Note location of edge clip. Attach edge clip to underside of floor panel.

NOTICE

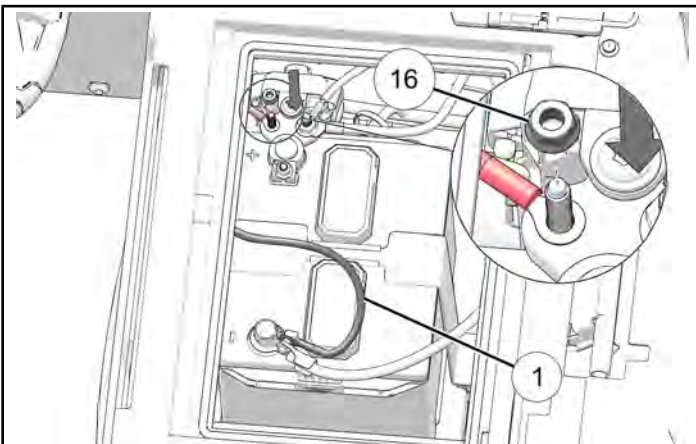
Some components hidden for clarity.



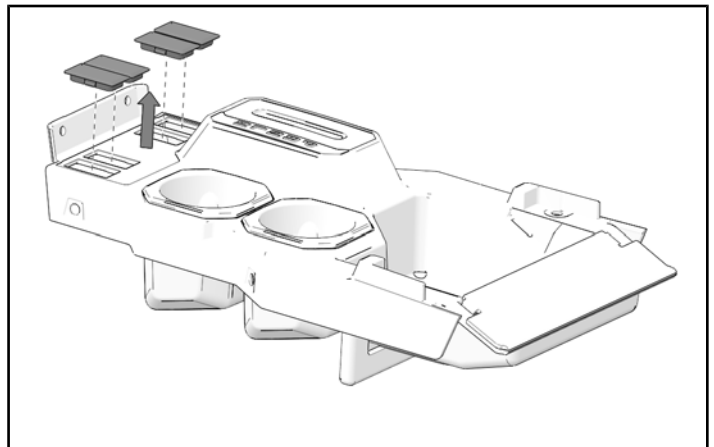
14. Connect terminal with black shrink wrap to negative battery terminal. Connect terminal with red shrink wrap to positive battery terminal. Install nut ⑯ at positive battery terminal. Torque nut for positive terminal to specification.

TORQUE

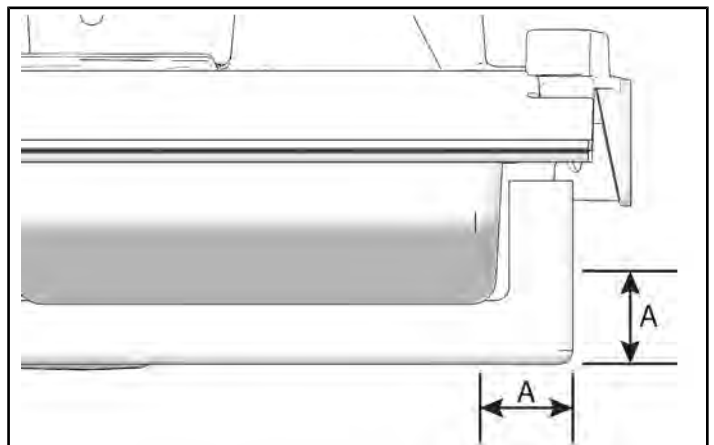
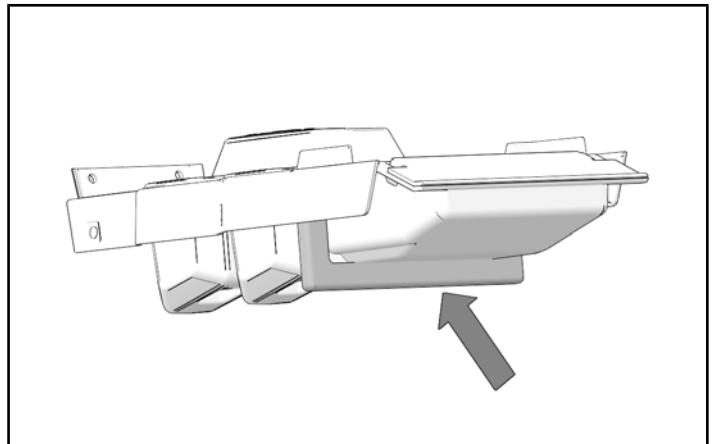
Nut ⑯:
44 in-lbs (5 N·m)



15. Remove four switch covers from kept shift handle cover.



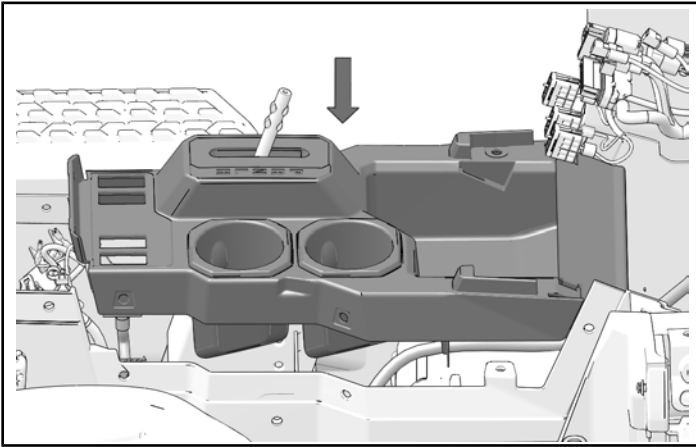
16. Trim foam seal and plastic rib on bottom of shift handle cover as needed to create clearance for main harness.



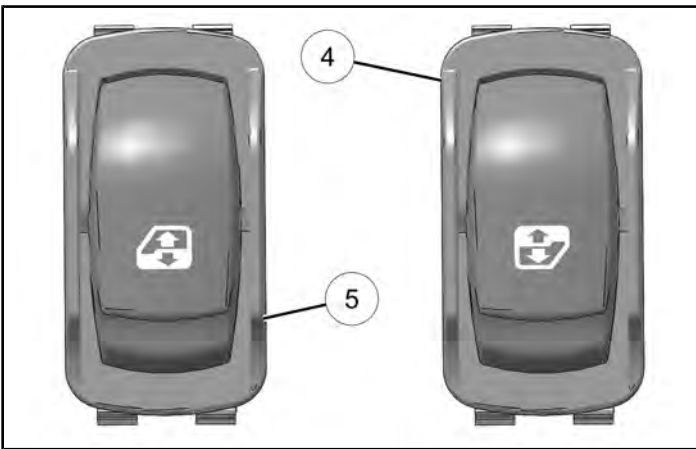
MEASUREMENT

Dimension A:
1 in (25.4 mm)

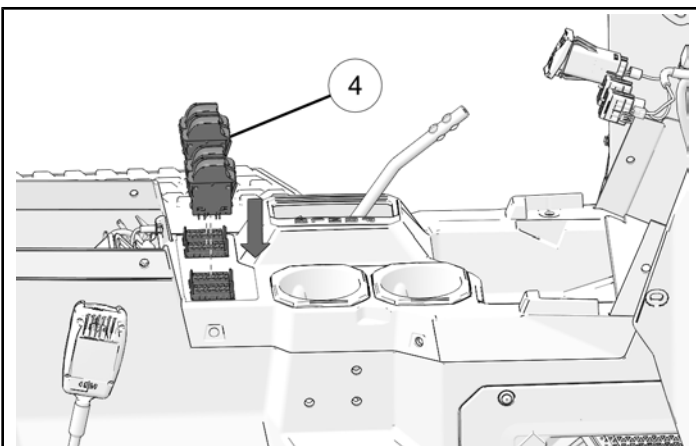
17. Install shift handle cover.



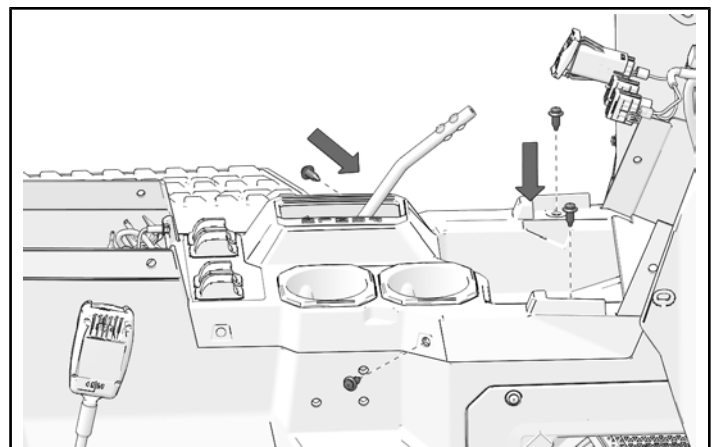
18. Kit contains two types of switches. See illustration to identify front compartment switches ④ and rear compartment switches ⑤.



19. Connect four switches ④ to harness connectors. Push switches into openings in shift handle cover until switches lock into place.



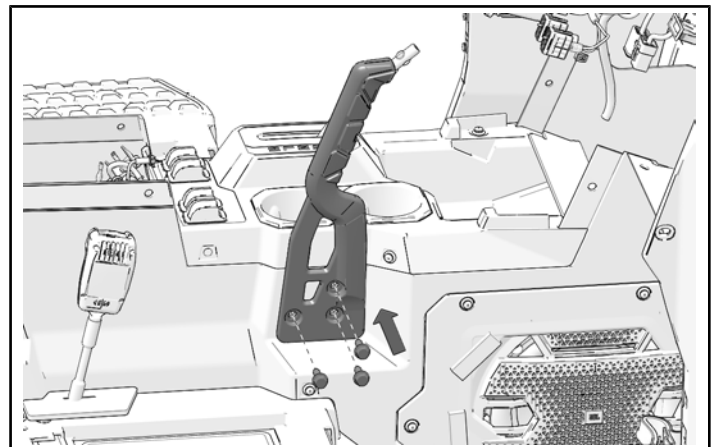
20. Install four kept push pin rivets.



21. Install kept grab handle. Torque screws to specification.

TORQUE

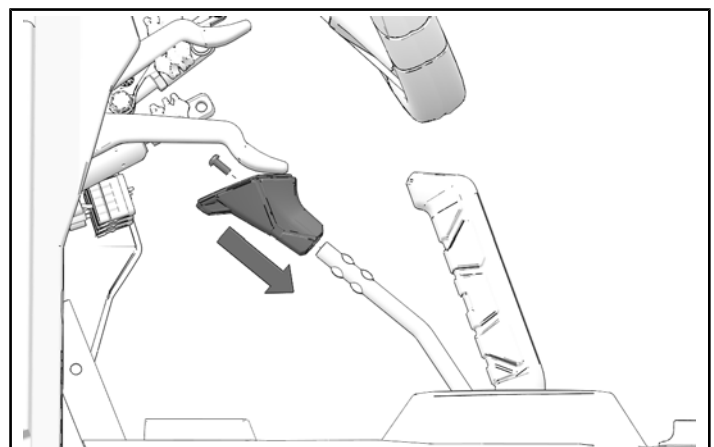
Screws:
119 in-lbs (13.5 N·m)



22. Install shift handle knob base. Torque kept screw to specification.

TORQUE

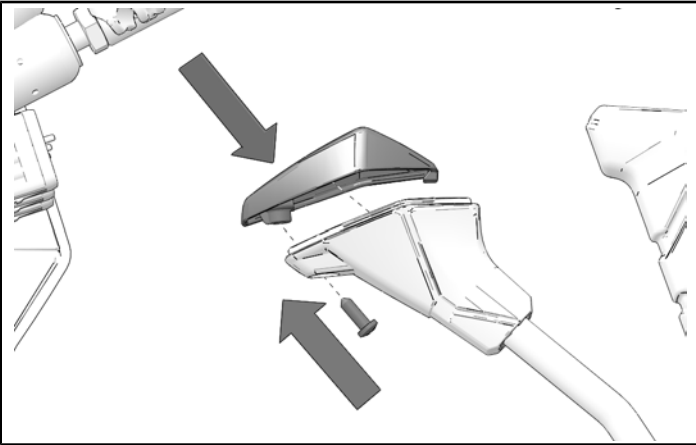
Screw:
35 in-lbs (4 N·m)



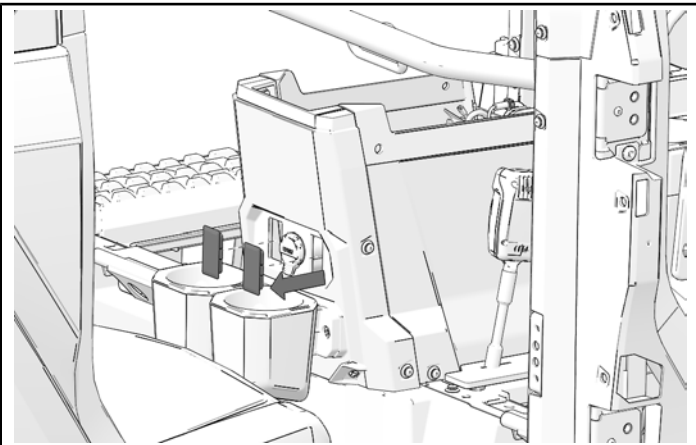
23. Install shift handle knob cap. Torque kept screw to specification.

TORQUE

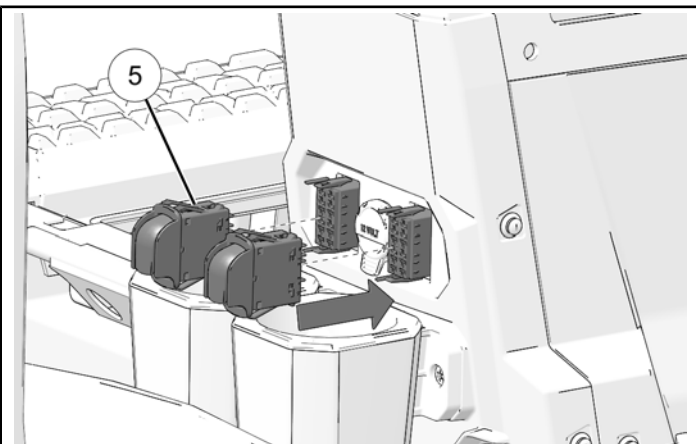
Screw:
9 in-lbs (1 N·m)



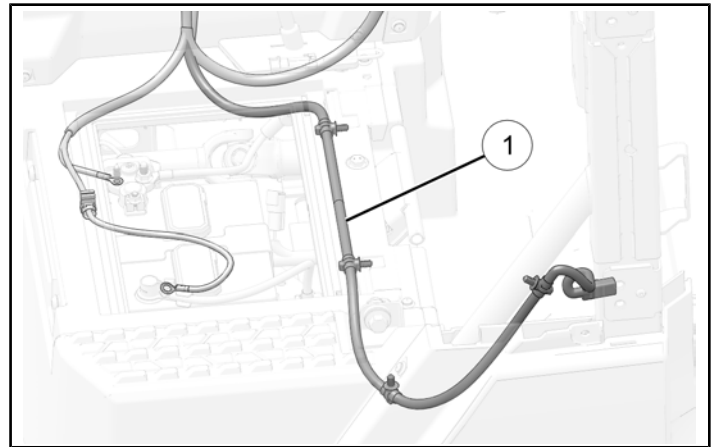
24. Remove two switch covers from rear of center console.



25. Connect two switches ⑤ to harness connectors. Push switches into openings in console until switches lock into place.



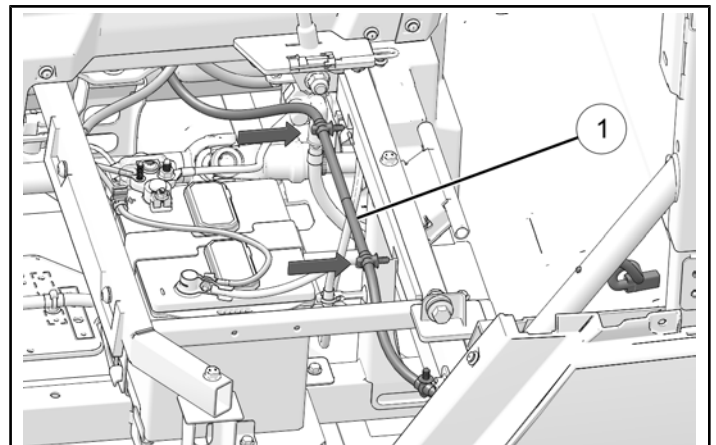
26. Routing for left rear leg of harness ①.



27. Route harness ① along rear side of battery box. Install two harness clips into holes in front side of rear seat base tube.

NOTICE

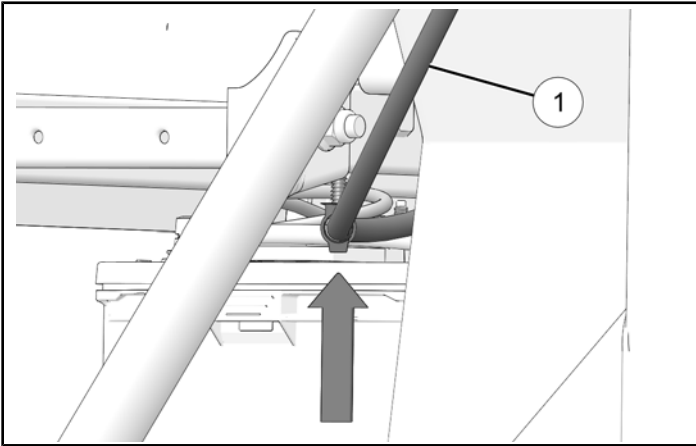
Left front floor panel hidden for clarity.



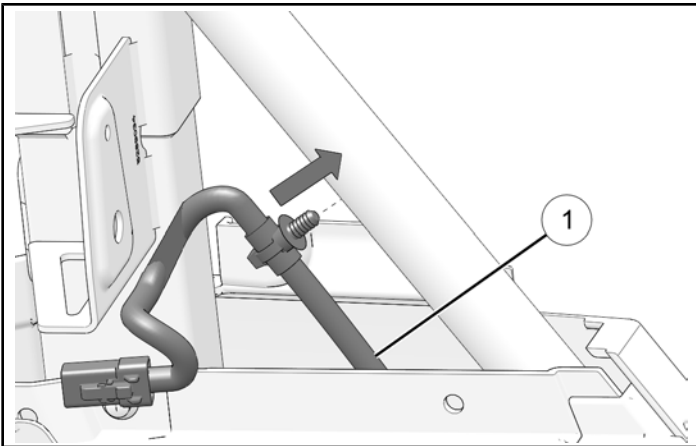
28. Continue to route harness ① along rear seat base tube. Install harness clip into hole in bottom of rear seat base tube.

NOTICE

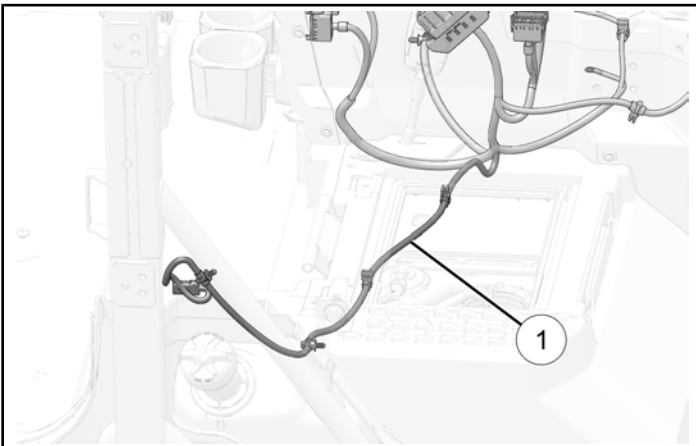
Left front floor panel and bottom rocker panel hidden for clarity.



29. Route harness ① up rocker tube. Install harness clip into hole on underside of rocker tube.



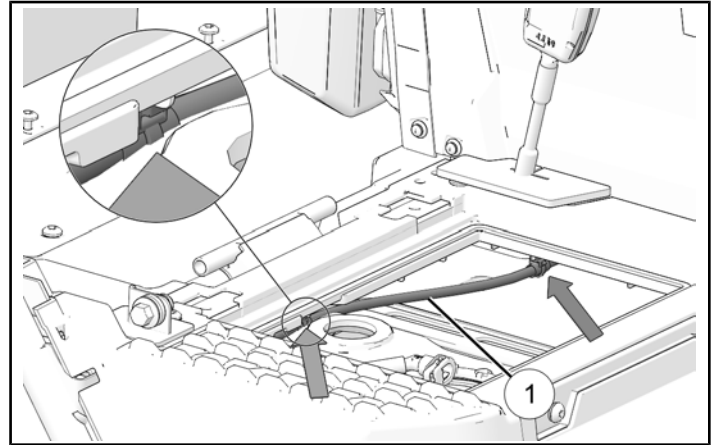
30. Routing for right rear leg of harness ①.



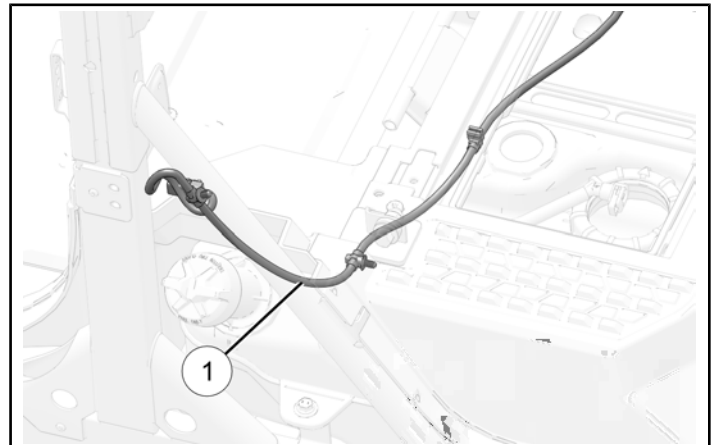
31. Route harness ① across top of fuel tank. Attach two harness edge clips to ribs on underside of right floor panel.

NOTICE

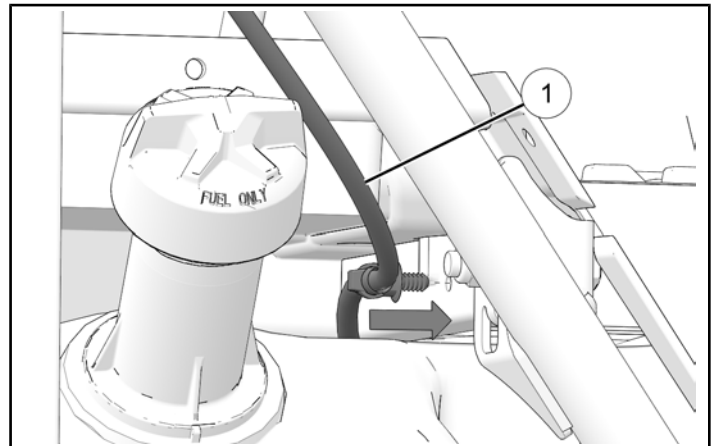
Some fuel tank components hidden for clarity.



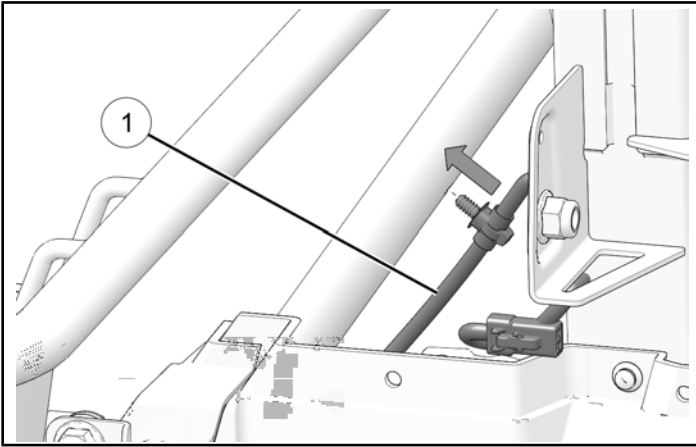
32. Detail view of harness routing near fuel tank,



33. Route harness ① toward fuel filler tube. Attach harness clip into hole on rear side of seat base tube.



34. Route harness ① up rocker tube. Install harness clip into hole on underside of rocker tube.



DOOR ASSEMBLY ENGAGEMENT POINTS

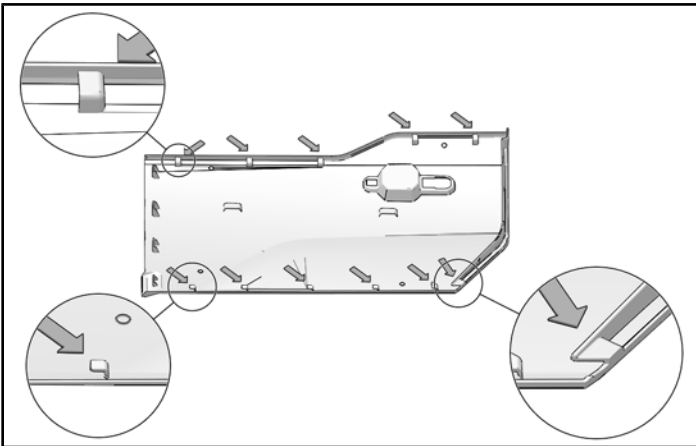
NOTICE

Right side shown; left side similar.

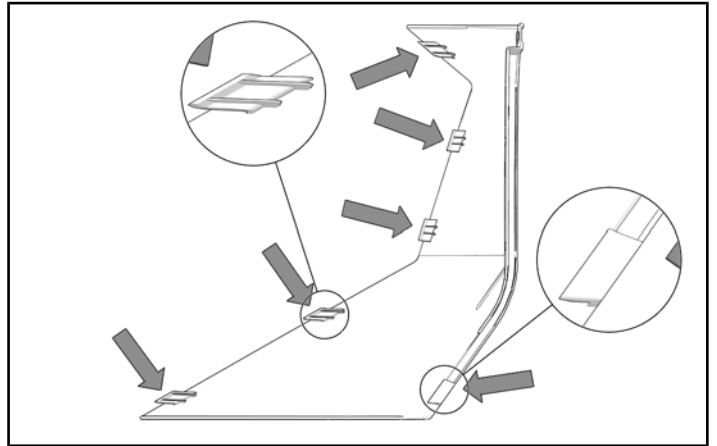
1. Inside of the trim panel features tabs which fit in to the slots on the doors. There are up to five tabs along the top of the panel, and up to five along the bottom of the panel. Additionally, the lower rear corner of the trim panel fits over a tab on the door.

NOTICE

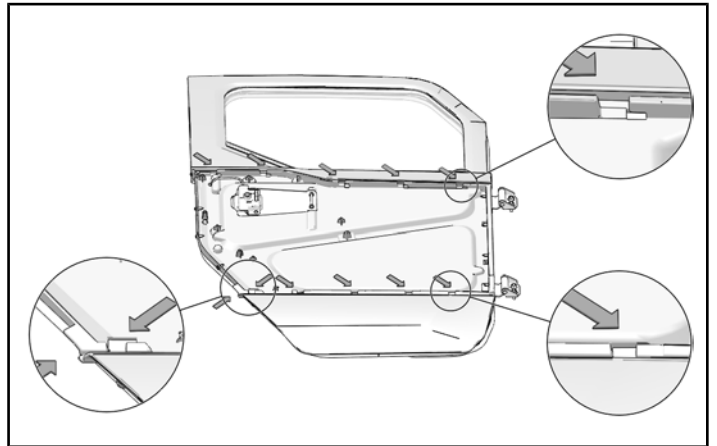
Typical panel shown; others similar.



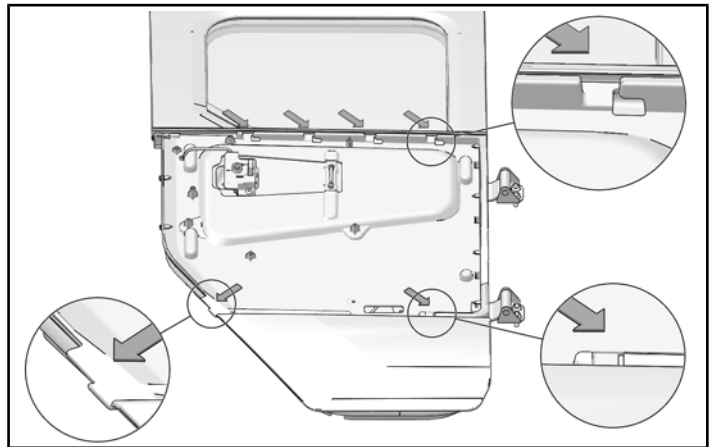
2. The filler panel for the rear doors has six engagement points. The lower rear corner of the panel fits over a tab on the door. The other five tabs engage with the main trim panel on the door.



3. The front door has five slots along the top and five slots along the bottom. Tabs from the trim panels fit into these slots. Additionally, there is a tab at the lower rear of the door which engages a slot on the trim panels.



4. The rear door has five slots along the top and one slot at the bottom. Tabs from the trim panels fit into these slots. Additionally, there is a tab at the lower rear of the door which engages a slot on the trim panels.



FRONT DOOR ASSEMBLY

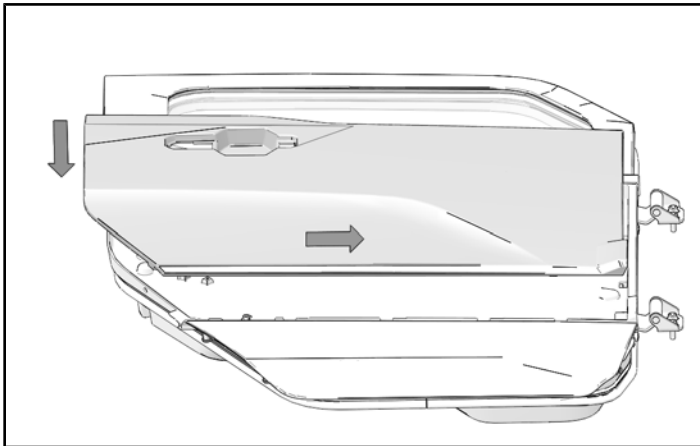
NOTICE

Right side shown; left side similar.

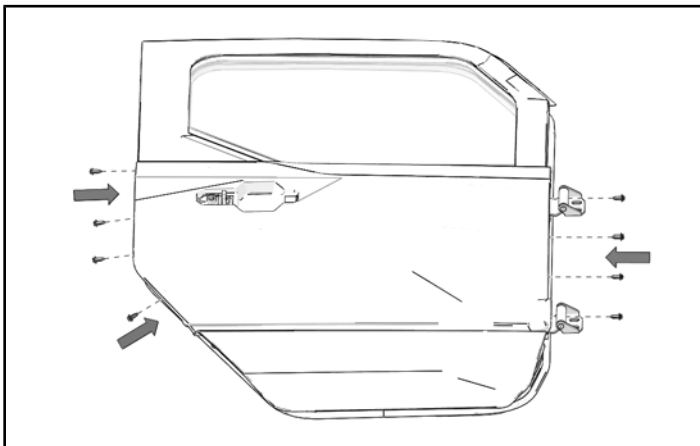
CAUTION

Doors are large and may weigh up to 60 lb (27 kg).
Use assistance when lifting and moving the doors.

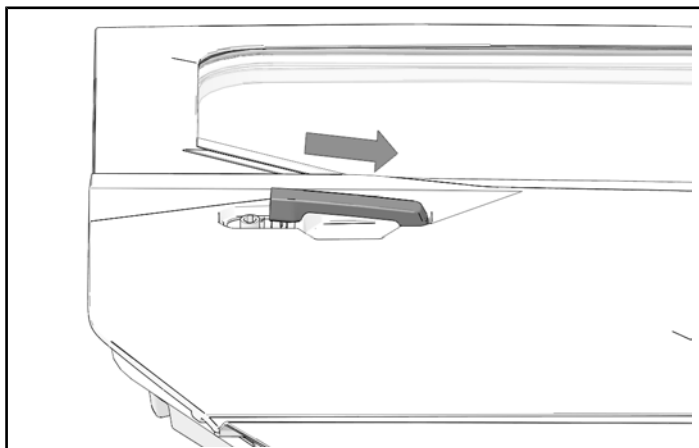
1. Lay door flat, with the outside facing up.
2. Lower previously removed trim panel and slide forward into the proper position.



3. Install eight previously removed push pin rivets.



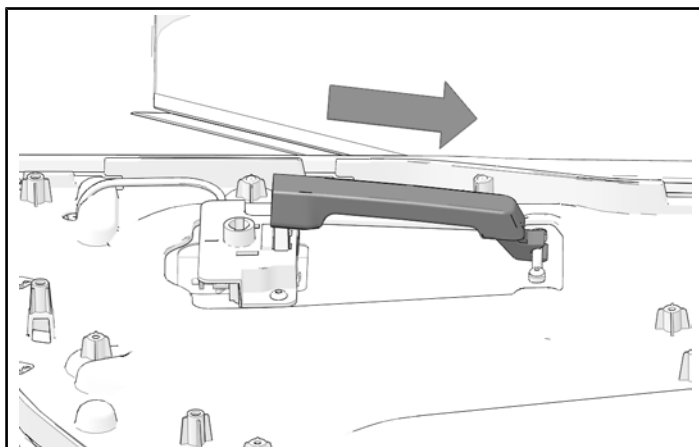
4. Install previously removed door handle through the opening in the panel.



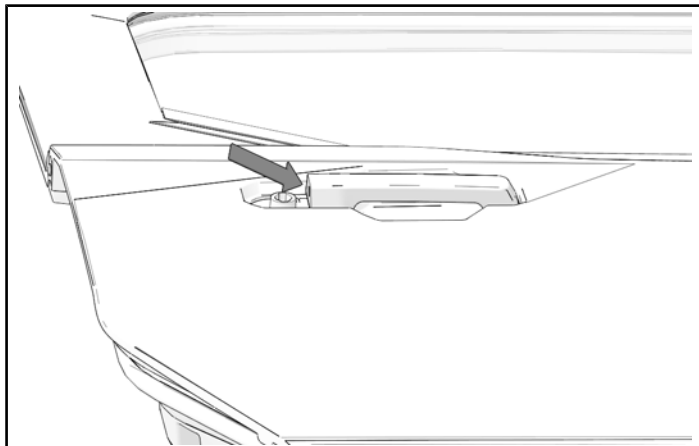
5. Handle must engage hinge under the panel for handle to work properly. Handle will attach to loop with audible click.

NOTICE

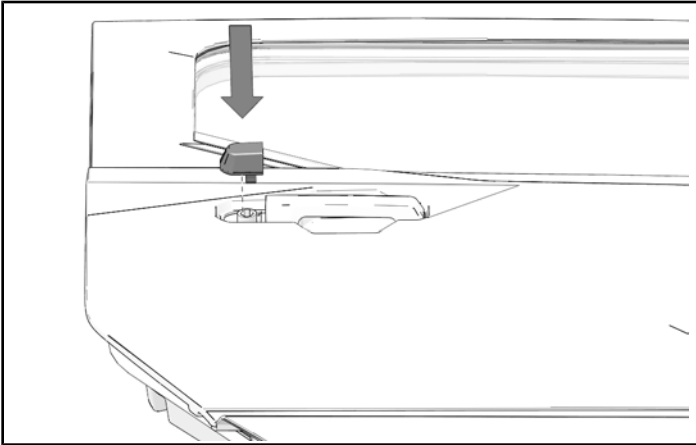
Panel hidden for clarity.



6. Lower handle over actuator. Install previously removed screw to attach handle to actuator.



7. Push previously removed cover into place over the actuator.

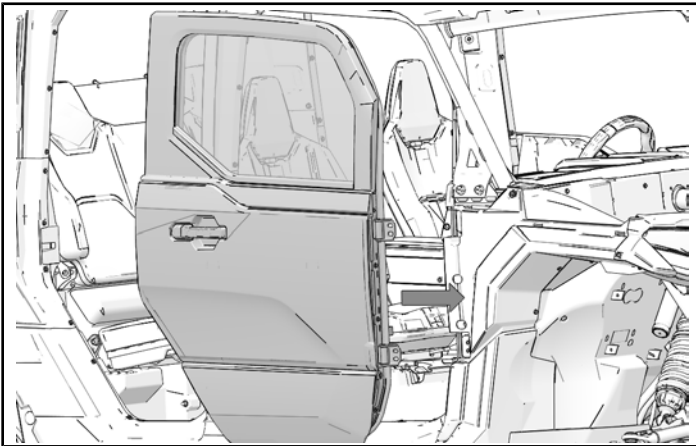


FRONT DOOR INSTALLATION

NOTICE

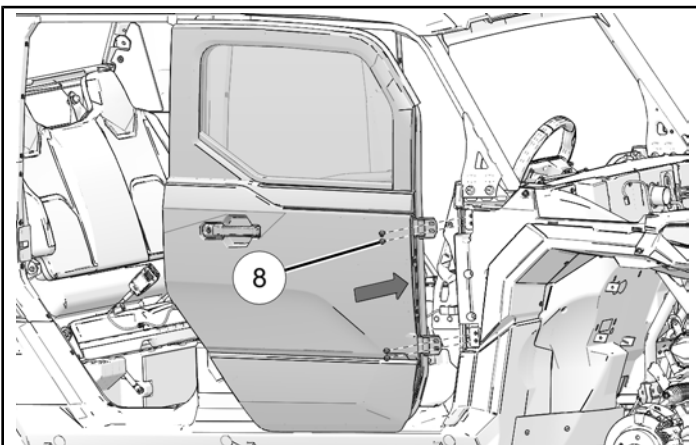
Right side shown; left side similar.

1. Place door in the opening. Engage the striker with door latch to help support the weight of the door.



2. Loosely install four hinge screws ⑧.

DO NOT torque fasteners at this time.



FRONT DOOR ADJUSTMENT

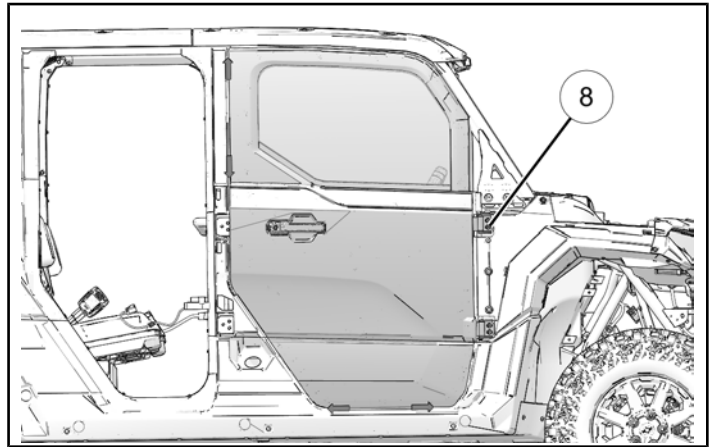
NOTICE

Right side shown; left side similar.

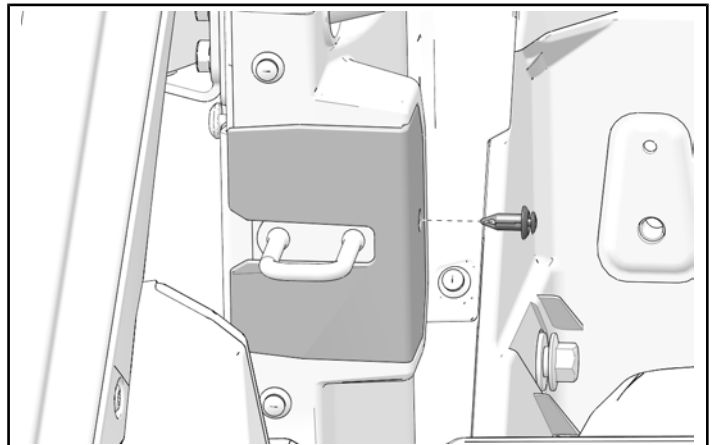
1. Inspect outer edges of door. Make sure gaps are even on the rear side and bottom of the door (see arrows). Make sure that trim panel on the door lines up with the B-pillar trim panel. When door is properly positioned, torque hinge screws ⑧ to specification.

TORQUE

Hinge Screws ⑧:
26 ft-lbs (35 N·m)



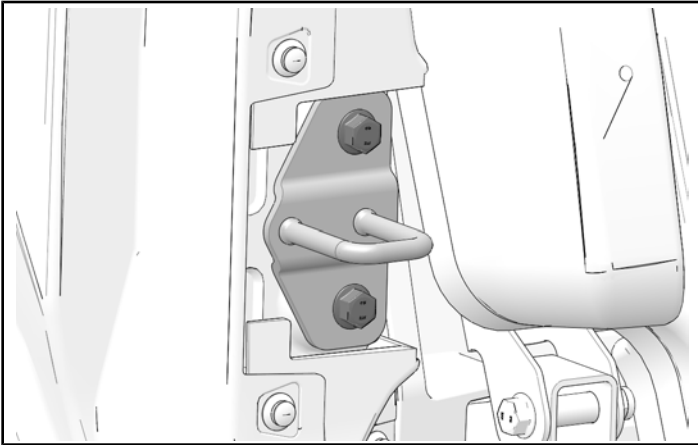
2. After door is properly positioned, check engagement with the striker. Adjust striker up or down as needed for proper latching. If door does not seal or rattles when latched, adjust striker inward. If door is difficult to open, adjust striker outward. Remove striker cover to access striker screws.



3. When finished adjusting the striker, torque striker screws to specification. Replace cover.

TORQUE

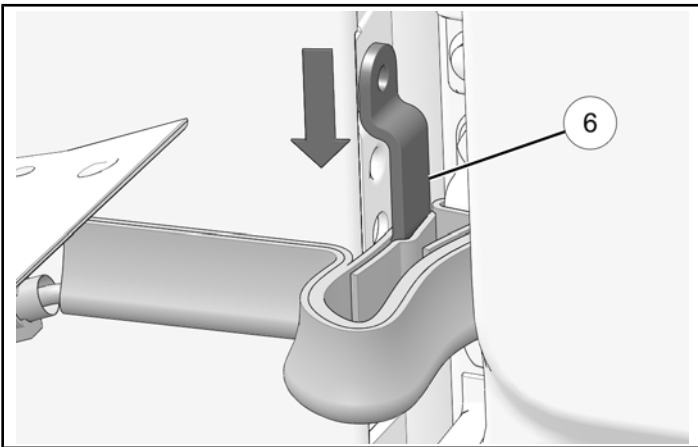
Striker screws:
26 ft-lbs (35 N·m)



4. Thread bracket ⑥ through limit strap.

NOTICE

Right side shown; left side similar.



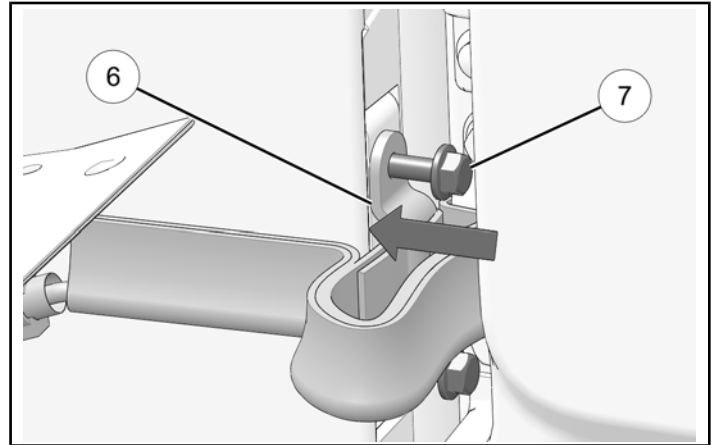
5. Install two screws ⑦ to attach bracket ⑥ to A-pillar. Torque bracket screws to specification.

TORQUE

Bracket Screws ⑦:
9 ft-lbs (12 N·m)

NOTICE

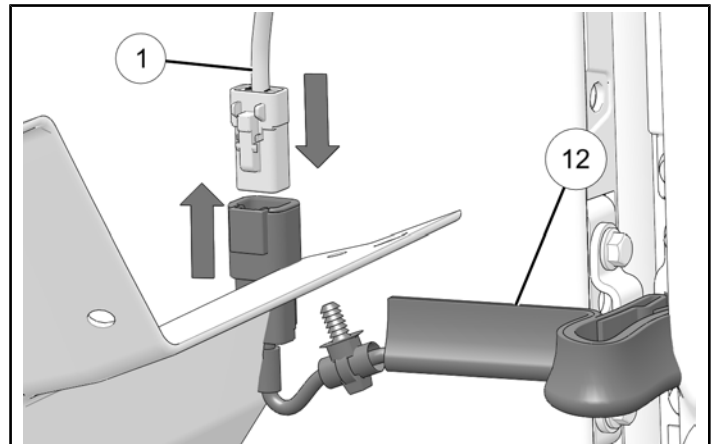
Right side shown; left side similar.



6. Connect harness ⑫ to harness ①.

NOTICE

Right side shown; left side similar.



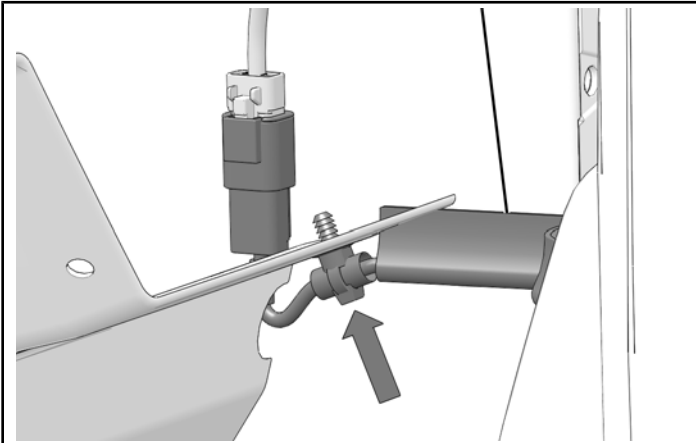
7. Install harness mount into hole in lower dashboard.

NOTICE

Right side shown; left side similar.

NOTICE

Harness mount on left side will be reassembled when dashboard is reinstalled.



REAR DOOR ASSEMBLY

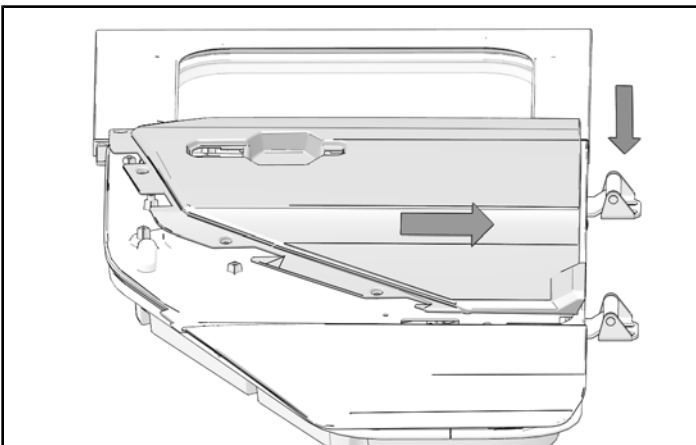
NOTICE

Right side shown; left side similar.

CAUTION

Doors are large and may weigh up to 60 lb (27 kg). Use assistance when lifting and moving the doors.

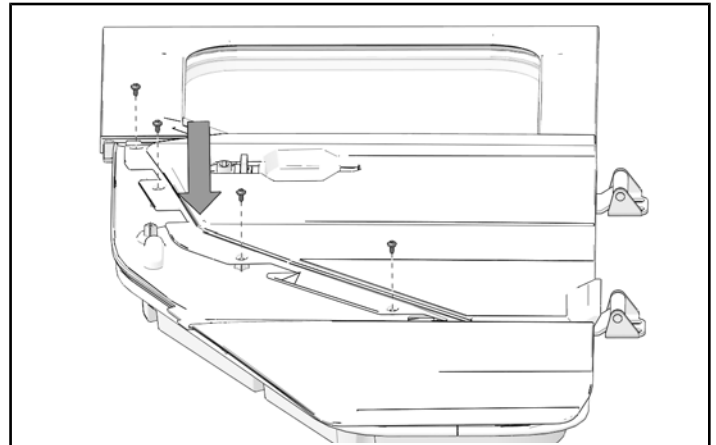
1. Lay door flat, with the outside facing up.
2. Lower previously removed trim panel and slide forward into the proper position.



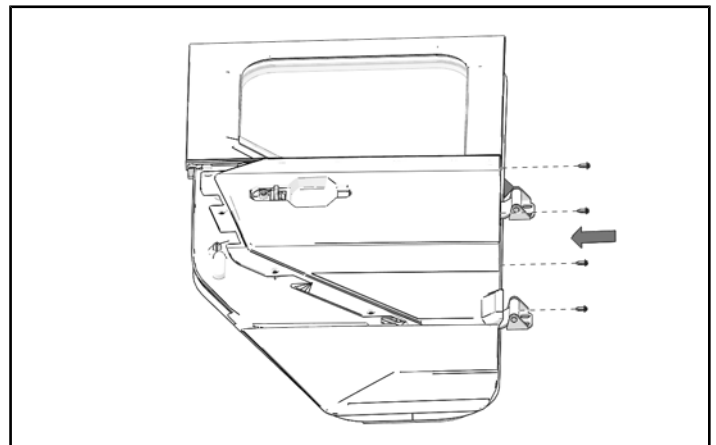
3. Install four previously removed screws. Torque screws to specification.

TORQUE

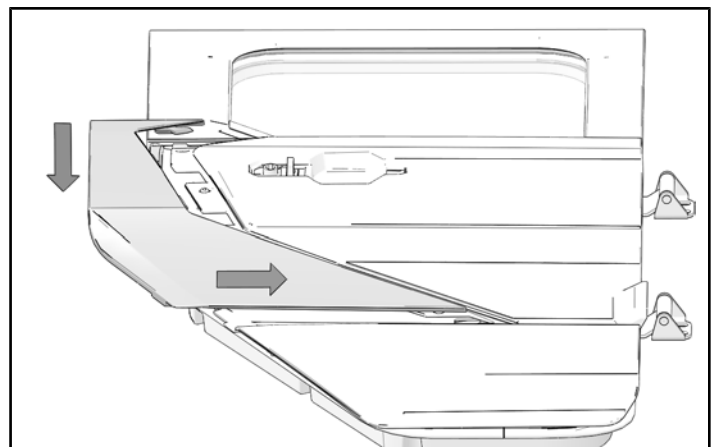
Screws:
18 in-lbs (2 N·m)



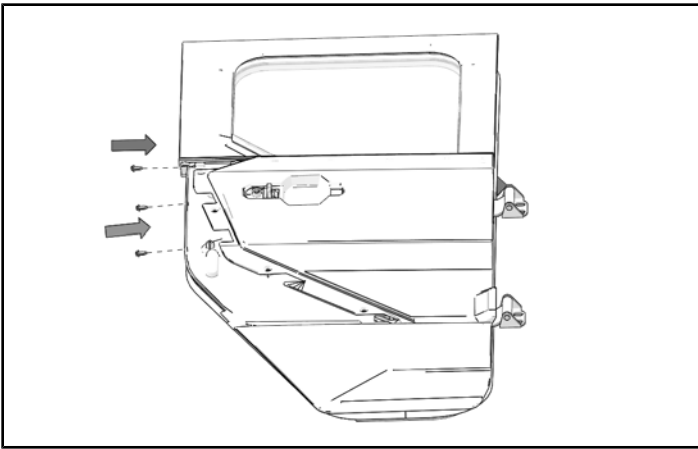
4. Install four previously removed push pin rivets.



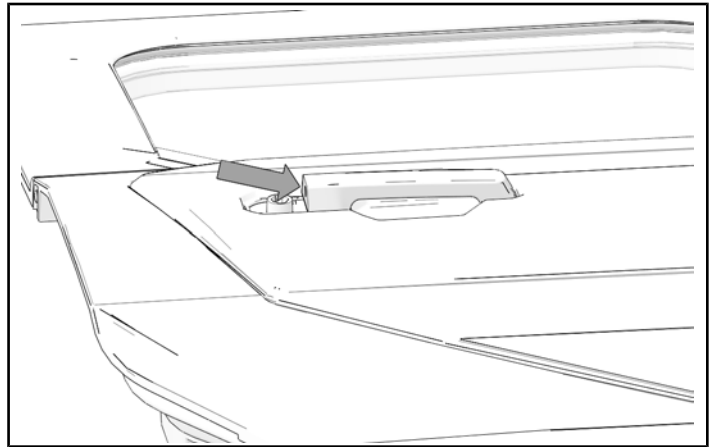
5. Lower previously removed filler panel and slide forward into the proper position.



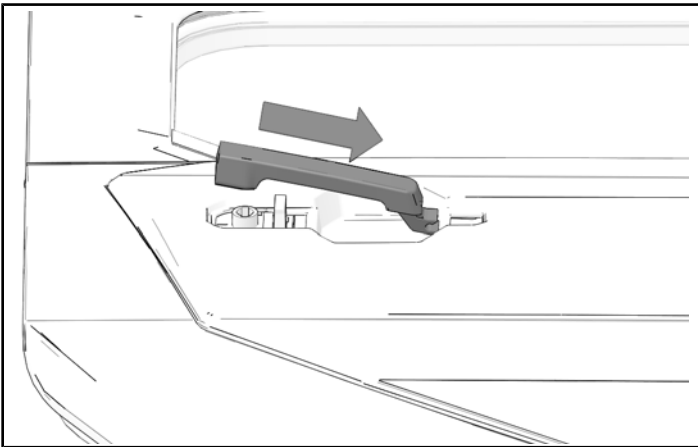
6. Install three previously removed push pin rivets.



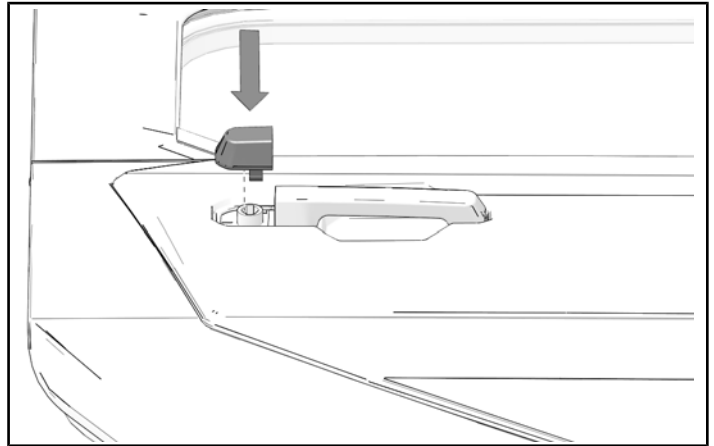
9. Lower handle over actuator. Install previously removed screw to attach handle to actuator.



7. Install previously removed door handle through the opening in the panel.



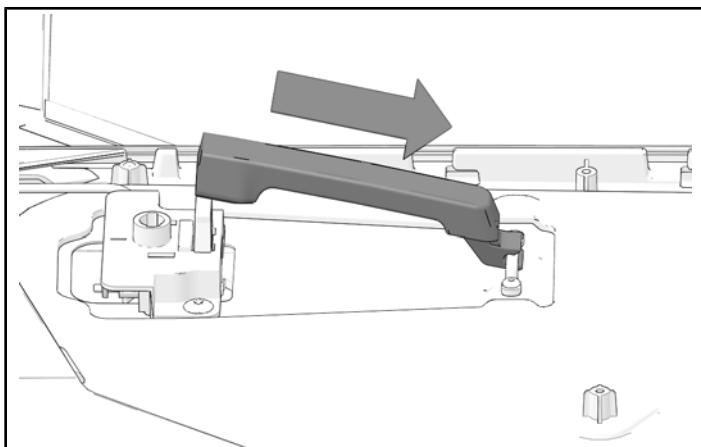
10. Push previously removed cover into place over the actuator.



8. Handle must engage hinge under the panel for handle to work properly. Handle will attach to loop with audible click.

NOTICE

Panel hidden for clarity.

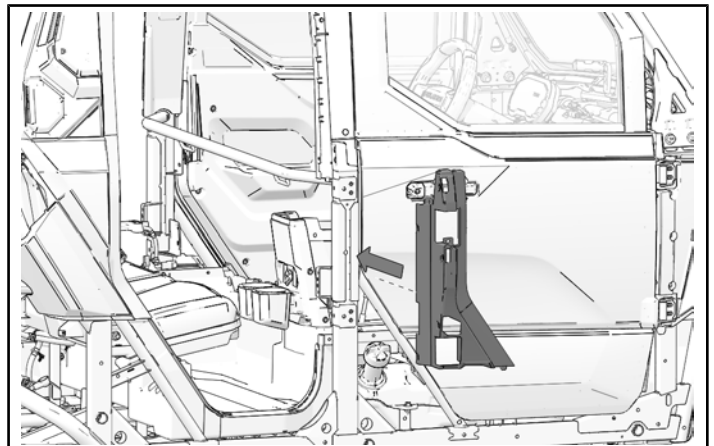


REAR DOOR INSTALLATION

NOTICE

Right side shown; left side similar.

1. Prior to door installation, install lower outer rocker panel in place.

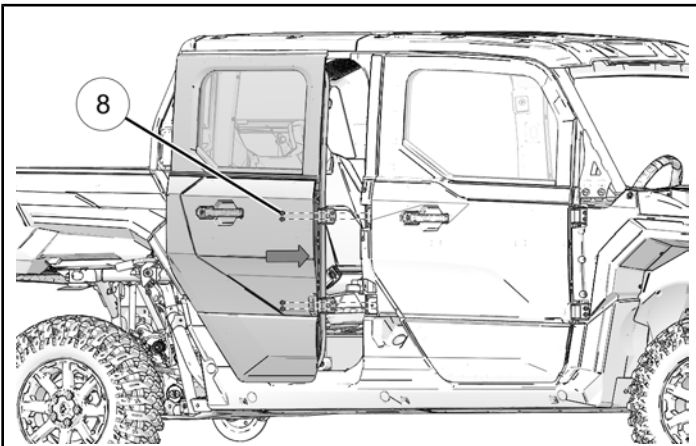


- Place door in the opening. Engage the striker with door latch to help support the weight of the door.



- Loosely install four hinge screws ⑧.

DO NOT torque fasteners at this time.



REAR DOOR ADJUSTMENT

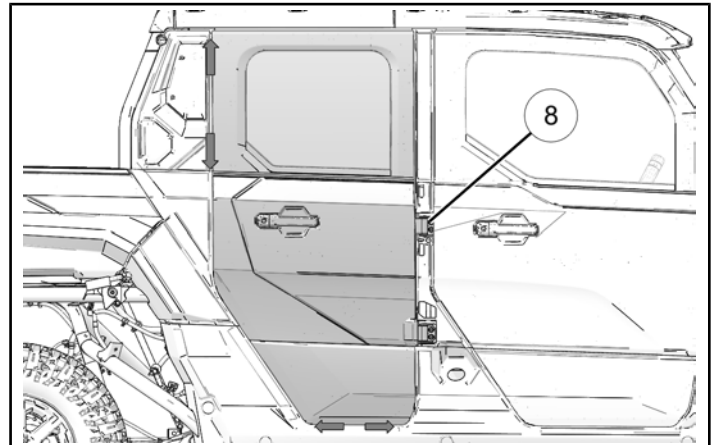
NOTICE

Right side shown; left side similar.

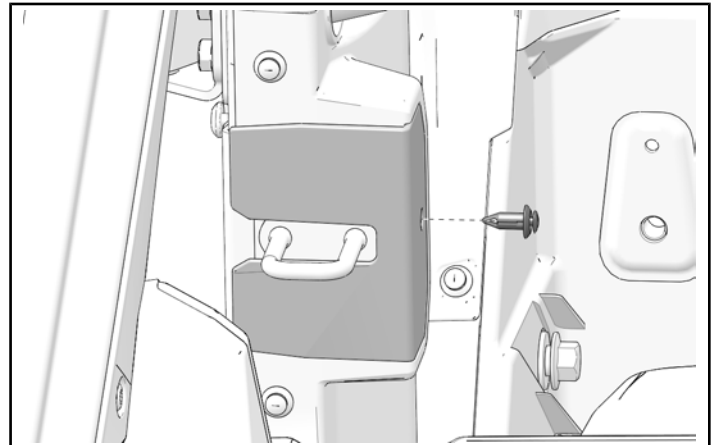
- Inspect outer edges of door. Make sure gaps are even on the rear side and bottom of the door (see arrows). Also make sure that trim panel on the door lines up with the vehicle trim. When door is properly positioned, torque hinge screws ⑧ to specification.

TORQUE

Screws ⑧:
26 ft-lbs (35 N·m)



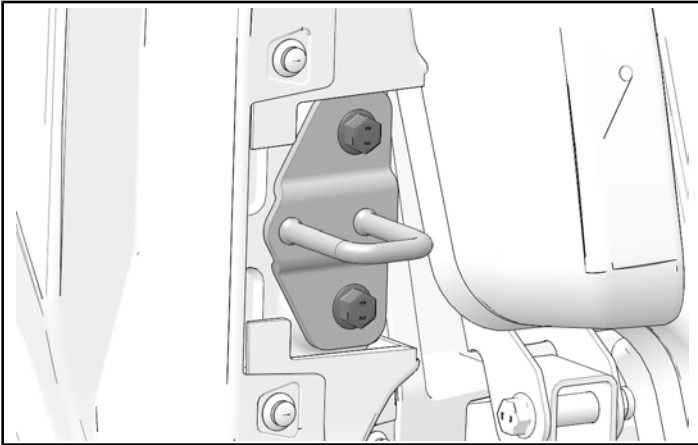
- After door is properly positioned, check engagement with the striker. Adjust striker up or down as needed for proper latching. If door does not seal or rattles when latched, adjust striker inward. If door is difficult to open, adjust striker outward. Remove striker cover to access striker screws.



3. When finished adjusting the striker, torque striker screws to specification. Replace cover.

TORQUE

Striker screws:
26 ft-lbs (35 N·m)



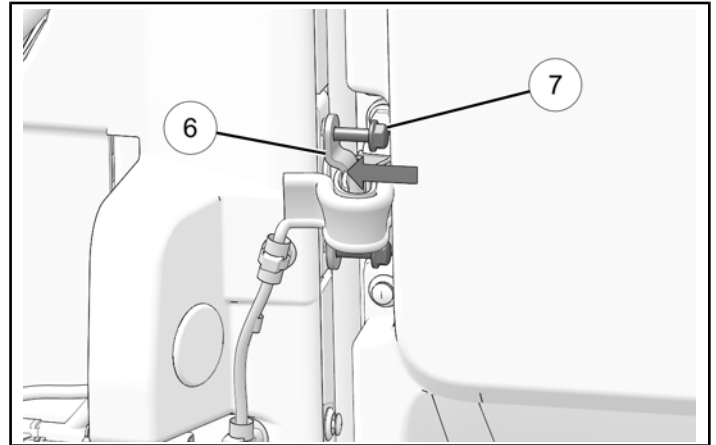
5. Install two screws ⑦ to attach bracket ⑥ to A-pillar. Torque bracket screws to specification.

TORQUE

Bracket Screws ⑦:
9 ft-lbs (12 N·m)

NOTICE

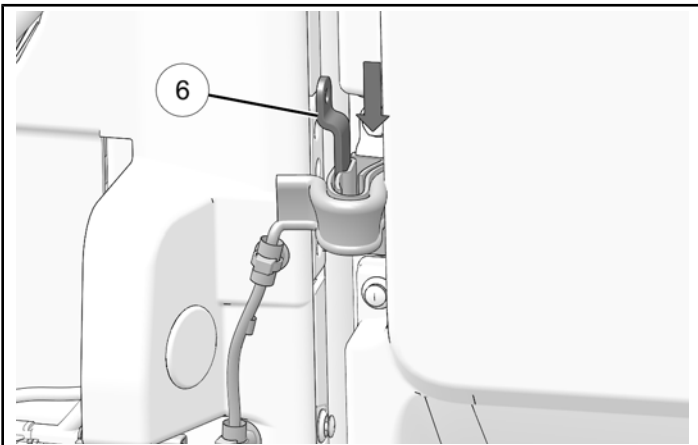
Right side shown; left side similar.



4. Thread bracket ⑥ through limit strap.

NOTICE

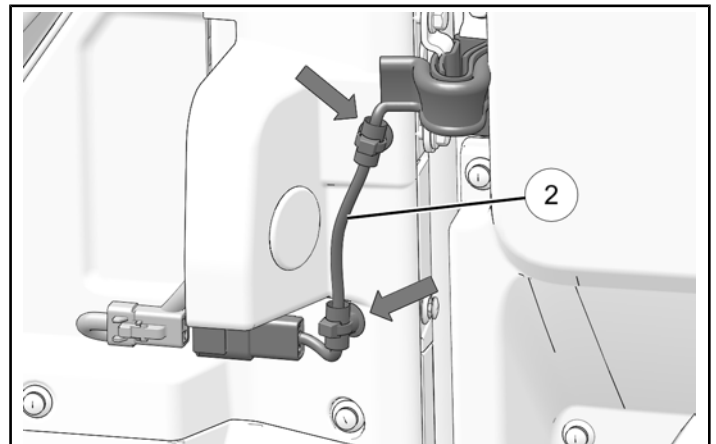
Right side shown; left side similar.



6. Install harness mounts into holes in B-pillar.

NOTICE

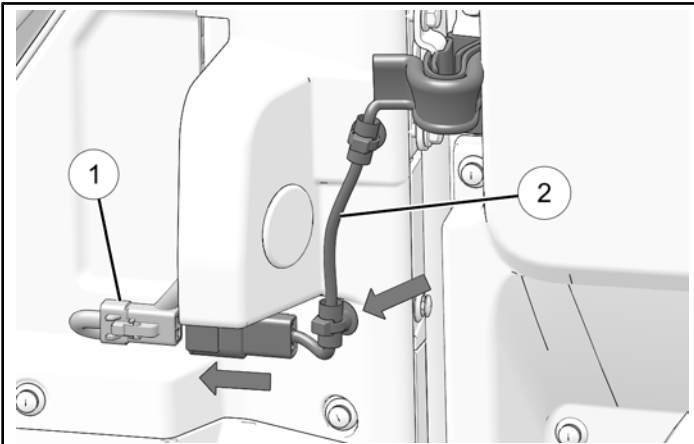
Right side shown; left side similar.



7. Connect harness ② to harness ①.

NOTICE

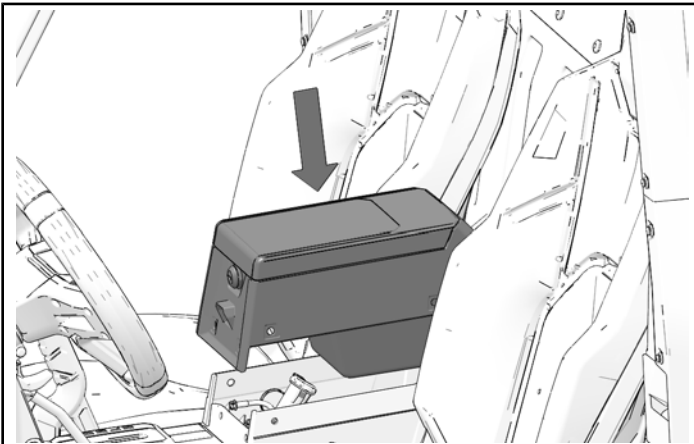
Right side shown; left side similar.



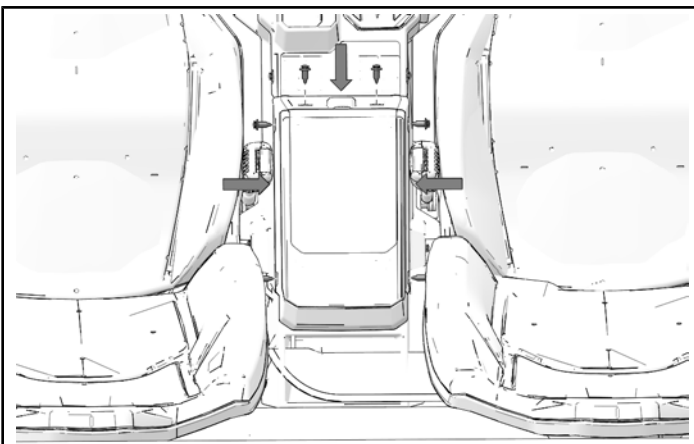
VEHICLE REASSEMBLY

INSTALL CENTER CONSOLE

1. Set center console into proper position. Connect electrical components that were previously disconnected.



2. Install six push-pin rivets to attach center console.



INSTALL DASHBOARD

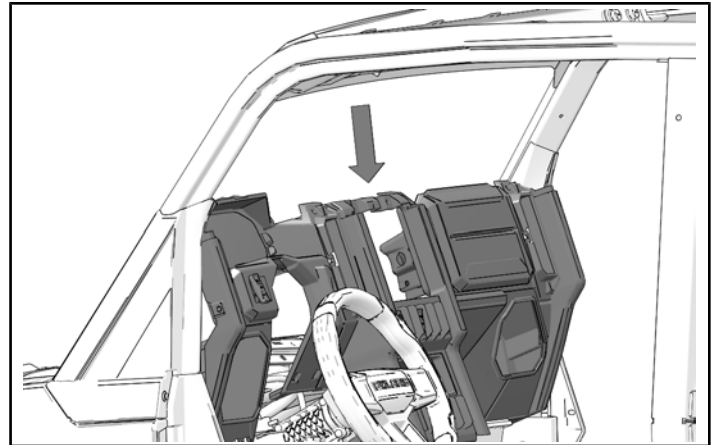
NOTICE

Doors hidden for clarity.

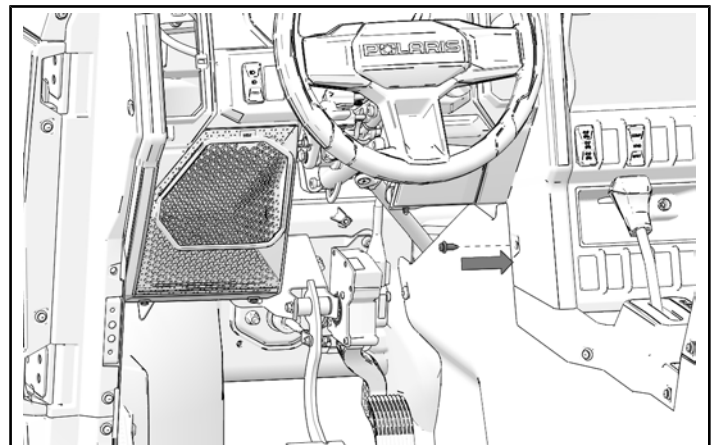
1. Install dashboard in vehicle.

NOTICE

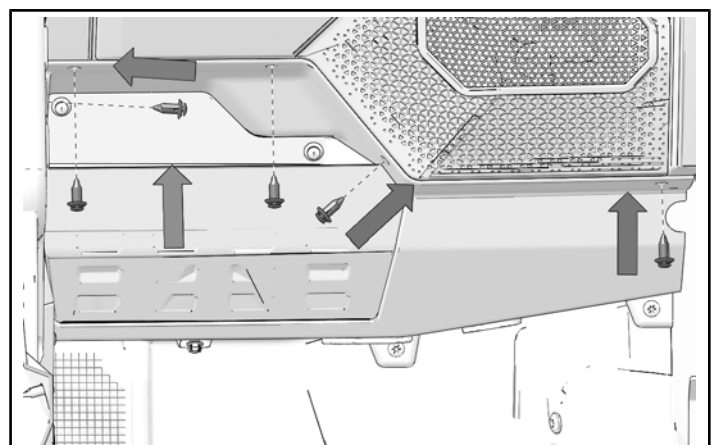
Make sure to connect electronic components (switches, speakers, etc.) as dashboard is installed.



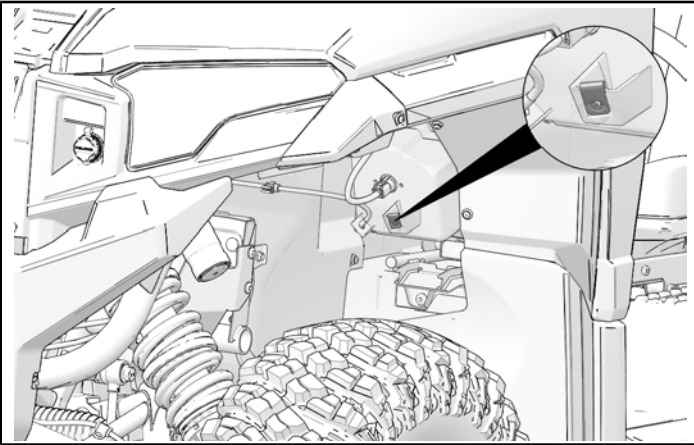
2. Install push-pin rivet at bottom of dashboard in front of drivers seat.



3. Install five push-pin rivets at bottom of dashboard in front of passenger seat.



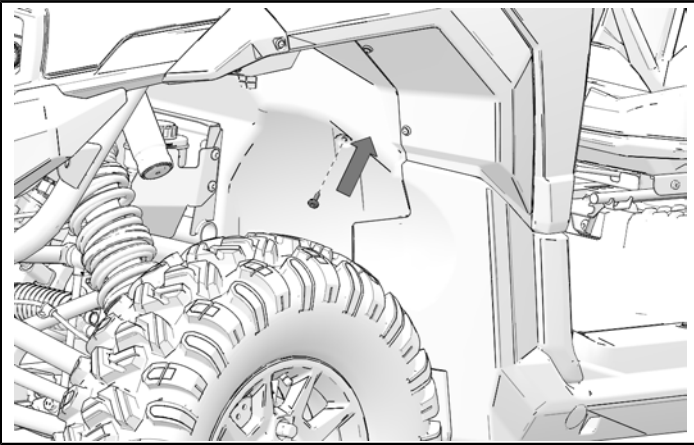
4. Make sure the clip on the dashboard is installed as shown.



5. Install one screw in each front wheel well.

NOTICE

Left side shown; right side similar.



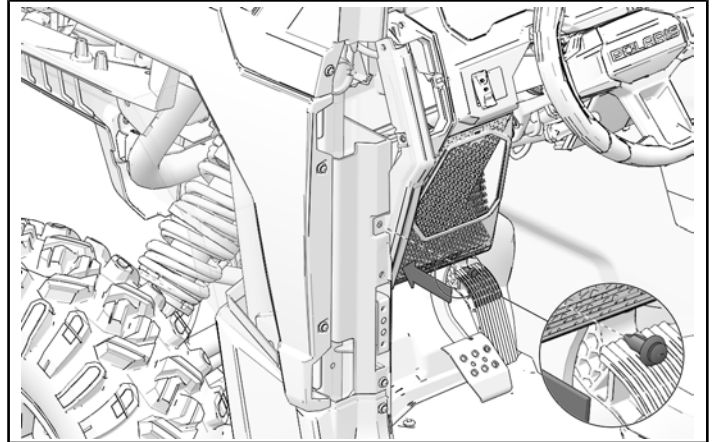
6. Carefully pull trim away from vehicle and install one push-pin rivet in side of dashboard.

NOTICE

Left side shown; right side similar.

NOTICE

Trim hidden for clarity.



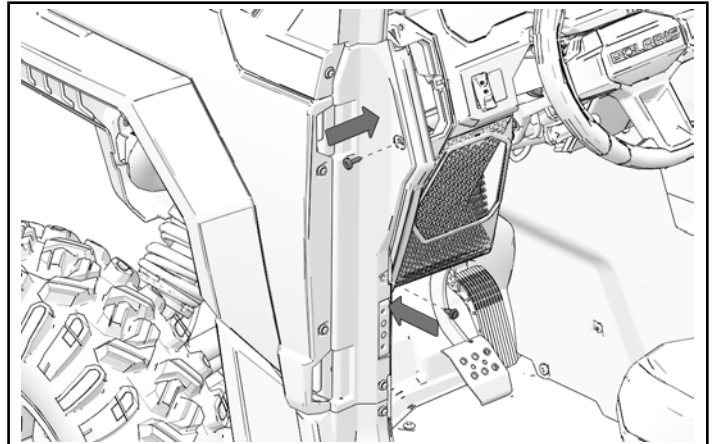
7. Install screw and push-pin rivet in left side door frame.

NOTICE

Left side shown; right side similar.

NOTICE

Doors will need to be fully open to access and install these fasteners.



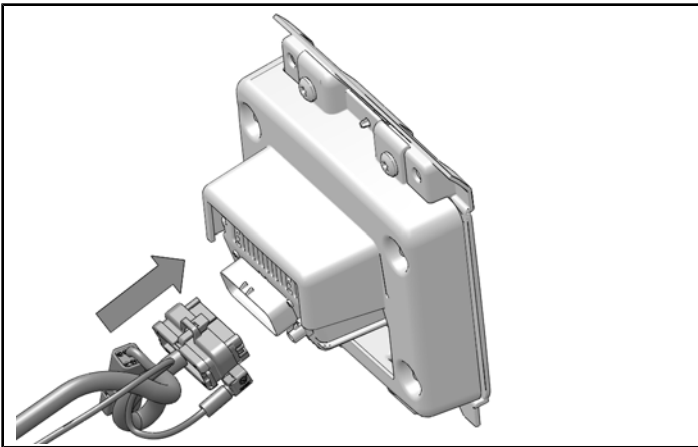
8. Repeat Step 5 and Step 6 on right side of vehicle.

HEAD UNIT INSTALLATION

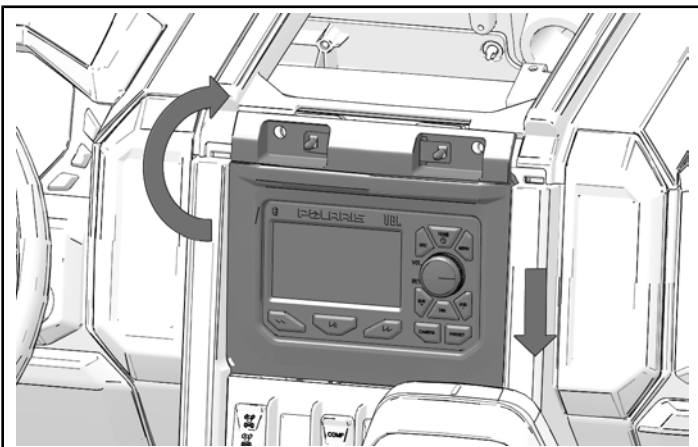
NOTICE

Base audio head unit installation shown. Ride Command® display installation similar.

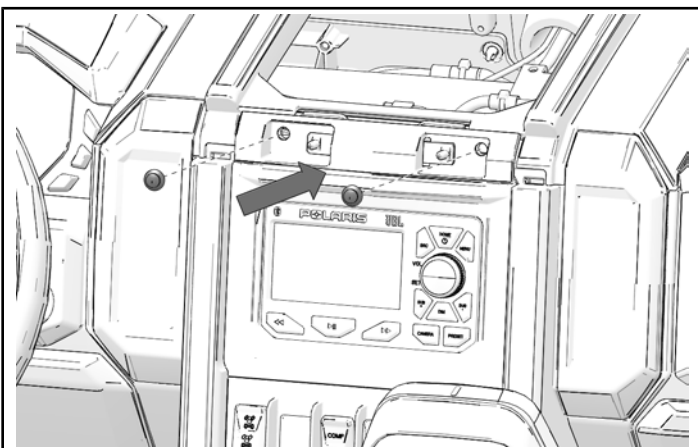
1. Attach wiring harness and antenna to head unit.



2. Put bottom of head unit into position. Push top of head unit into dash.

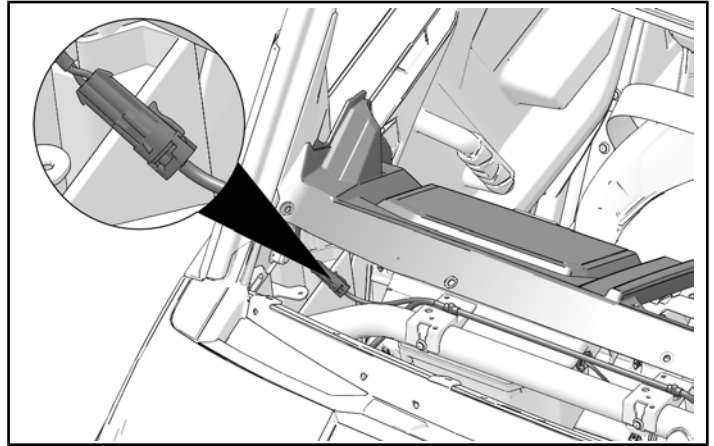


3. Install two push-pin rivets into top of head unit.



INSTALL DASH COVER

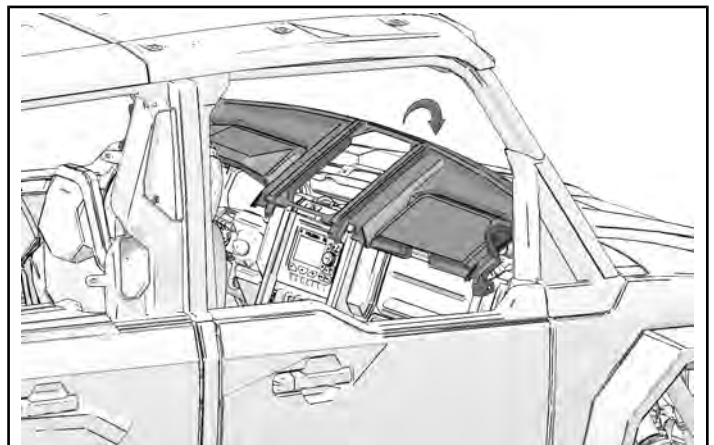
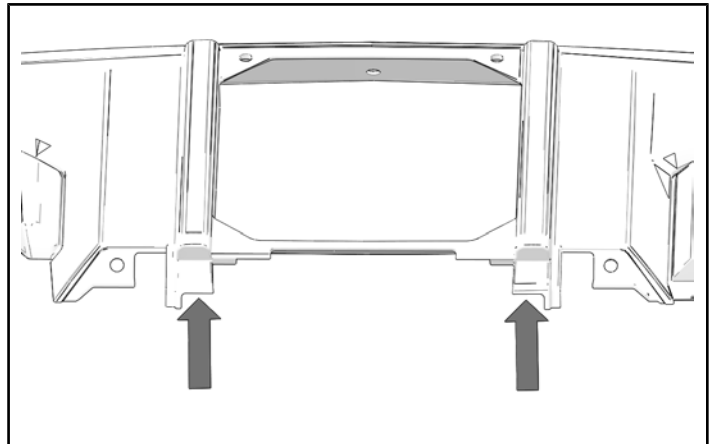
1. Connect speaker wires if necessary.



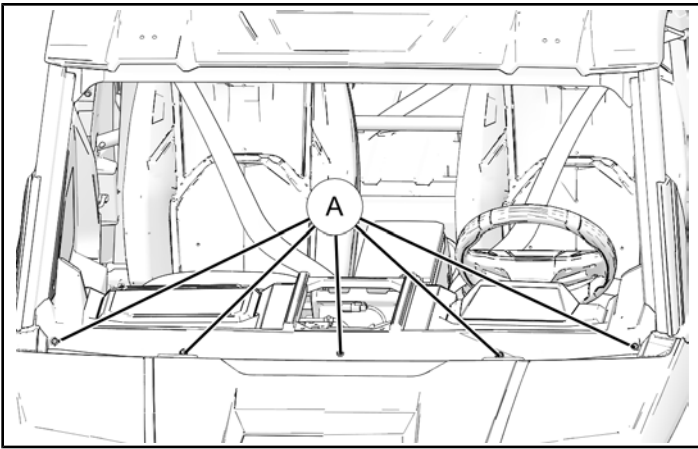
2. Put front of dash cover in position and set into place. Make sure center of dash is placed in slots on vehicle.

TIP

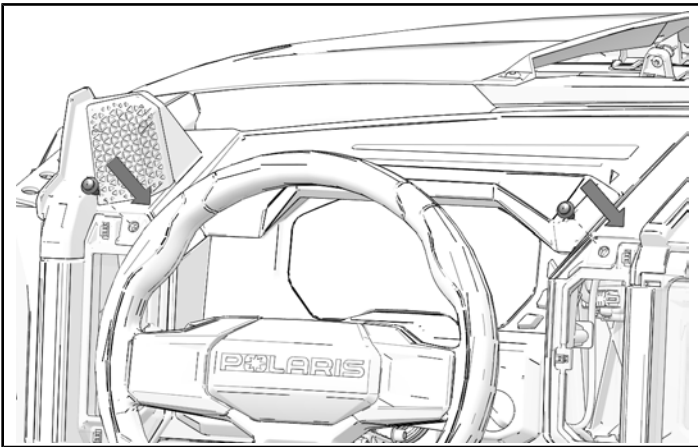
If head unit/storage bin was not removed, make sure these tabs are inserted behind the head unit trim.



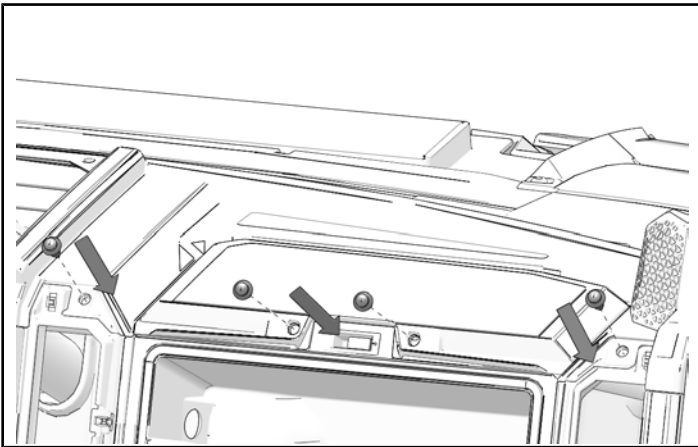
3. Install five push screws (A).



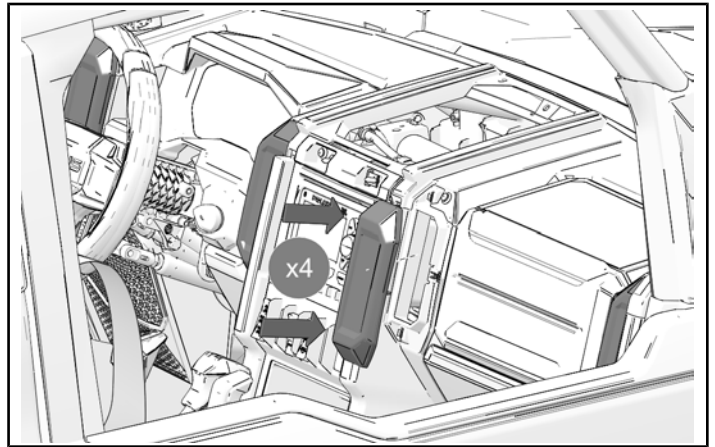
4. Install two push pin rivets on drivers side of dash cover.



5. Install four push pin rivets on passenger side of dash cover.



6. Install four dash vent covers. Push evenly at top and bottom to install.



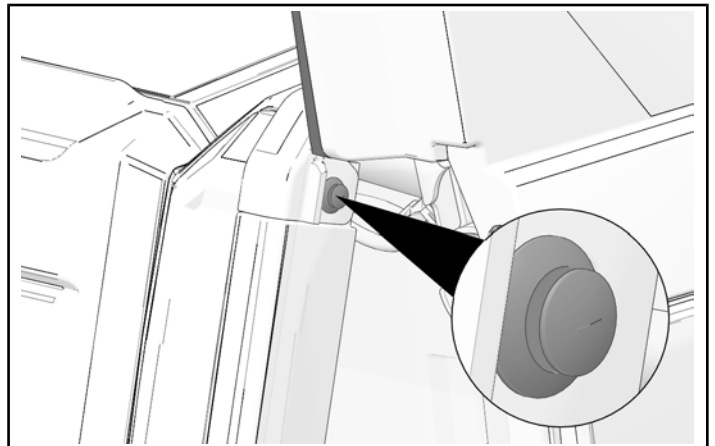
7. Install one push pin rivet at each side of dash.

NOTICE

A-pillar trim hidden for clarity.

NOTICE

Right side shown; left side similar.



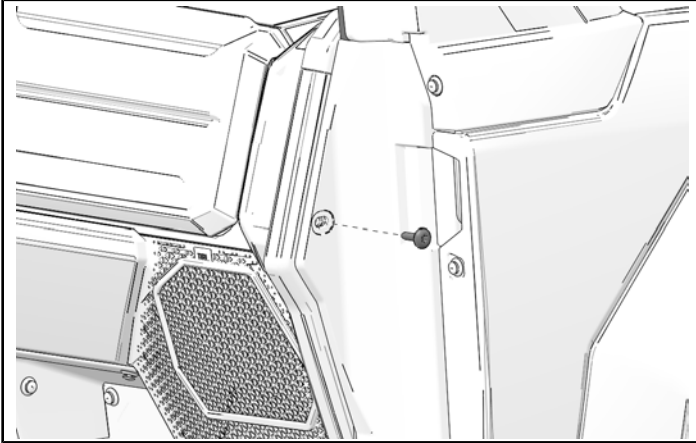
8. Install one screw at each side of dash. Torque to specification.

NOTICE

Right side shown; left side similar.

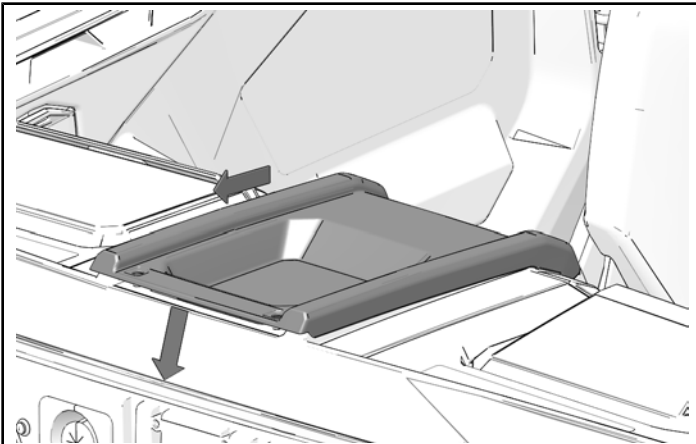
TORQUE

Dash Screws:
26.5 in-lbs (3 N·m)

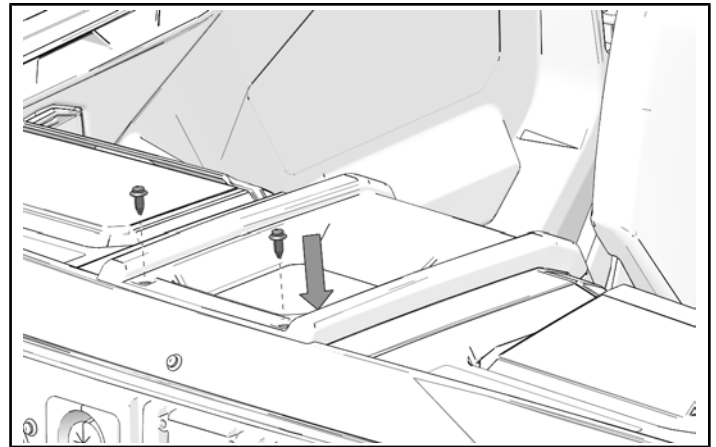


CENTER DASH PANEL INSTALLATION

1. Install center panel. Install rear tabs into dash, then lower into position.



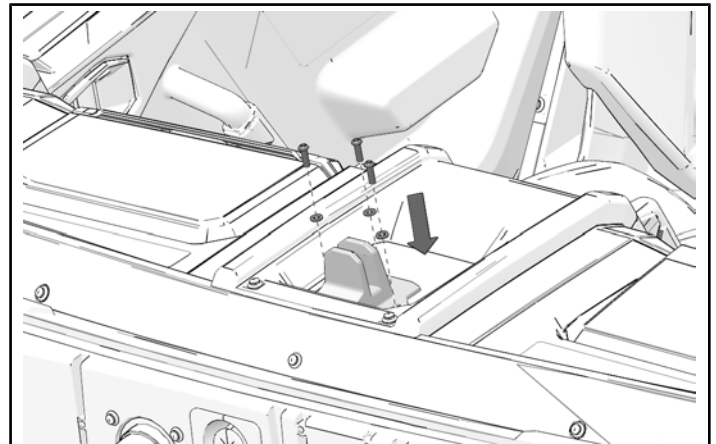
2. Install two push-pin rivets.



3. If vehicle is equipped with tip-out windshield. Install base, three screws, and washers. Torque screws to specification.

TORQUE

Base Screws:
89 in-lbs (10 N·m)



BOTTOM ROCKER PANEL INSTALLATION (RIGHT SIDE ONLY)

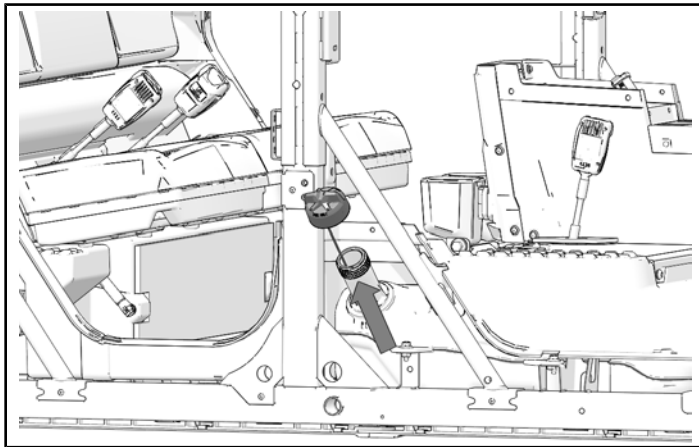
1. Unscrew fuel cap. Pull firmly on fuel cap to remove tether from fuel tank.

NOTICE

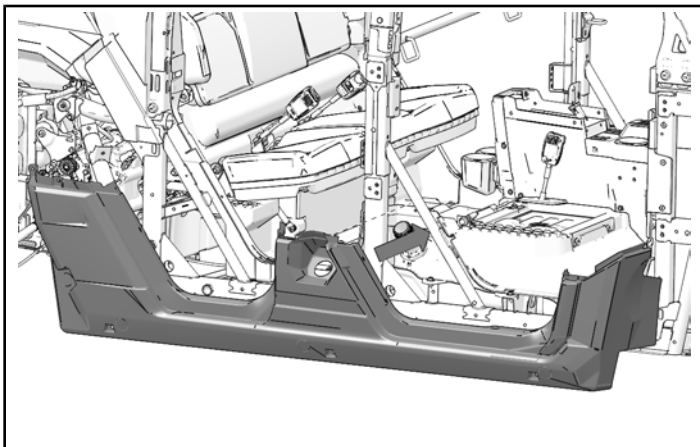
Make sure that fuel does not spill or become contaminated while fuel tank is open.

WARNING

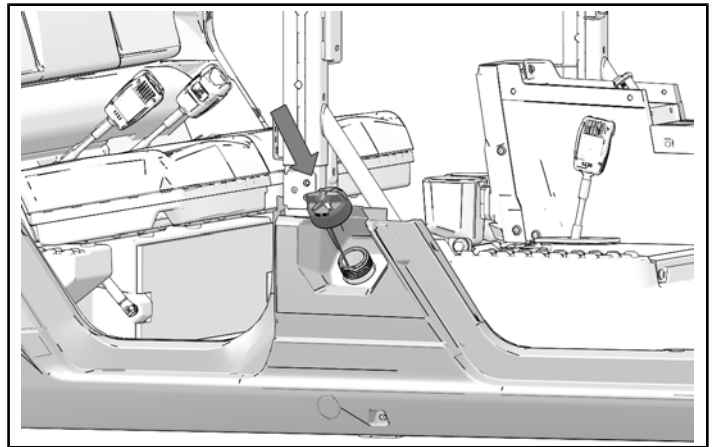
Fuel is extremely flammable and may cause severe burns, injury, or death. Do not use any device that produces a flame or electrical devices that may spark around fuel or fuel vapors.



2. Install bottom rocker panel.



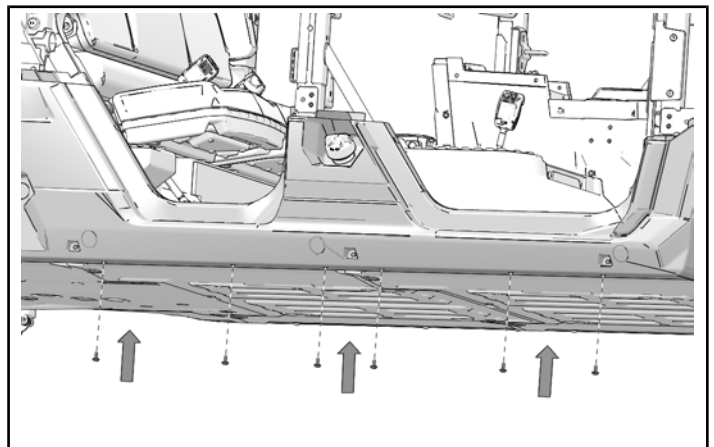
3. Install fuel cap on fuel tank. Tighten fuel cap/



4. Install six screws on underside of bottom rocker panel. Torque screws to specification.

TORQUE

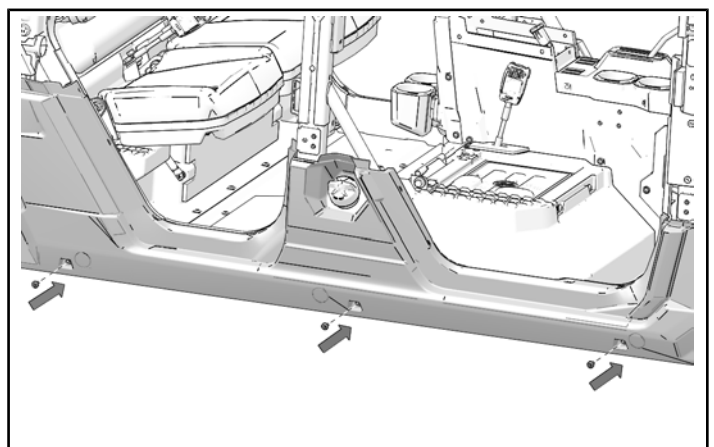
Screws:
27 in-lbs (3 N·m)



5. Install three screws in bottom rocker panel. Torque screws to specification.

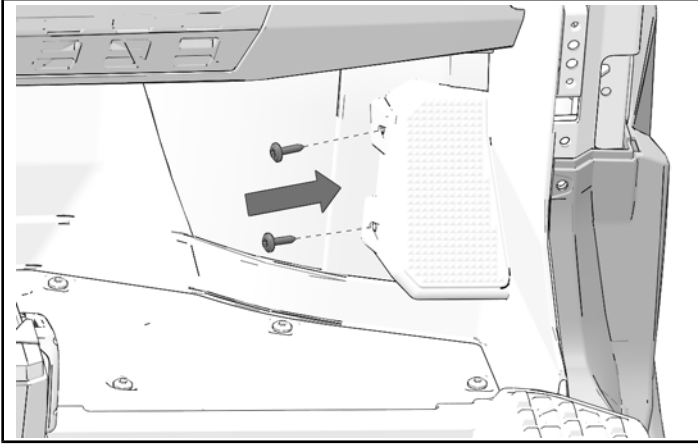
TORQUE

Screws:
27 in-lbs (3 N·m)

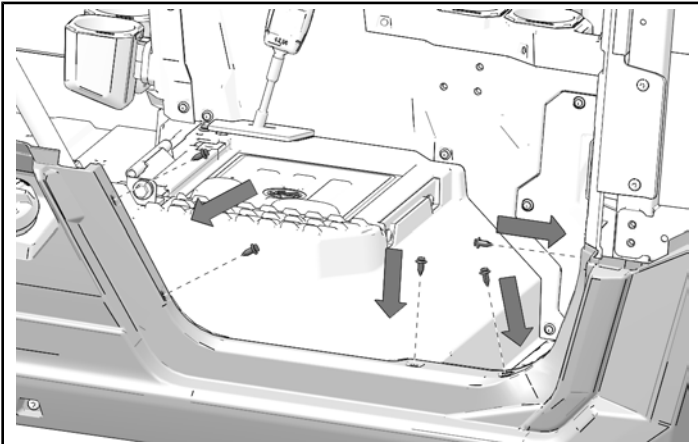


6. Install two screws in side of foothold in front of passenger seat area. Torque screws to specification.

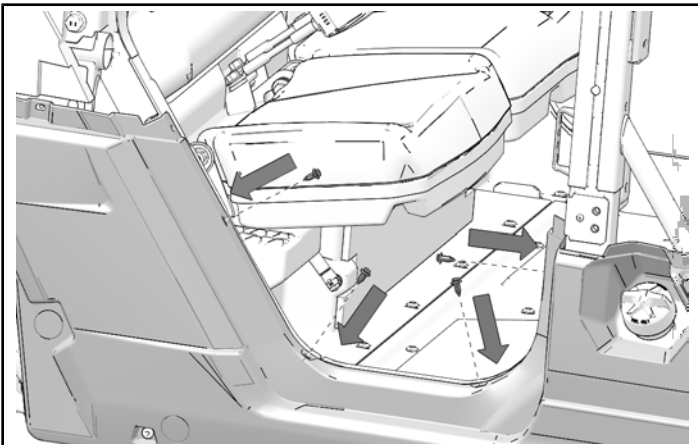
TORQUE
Screws:
31 in-lbs (3.5 N·m)



7. Install five push-pin rivets in front door opening.

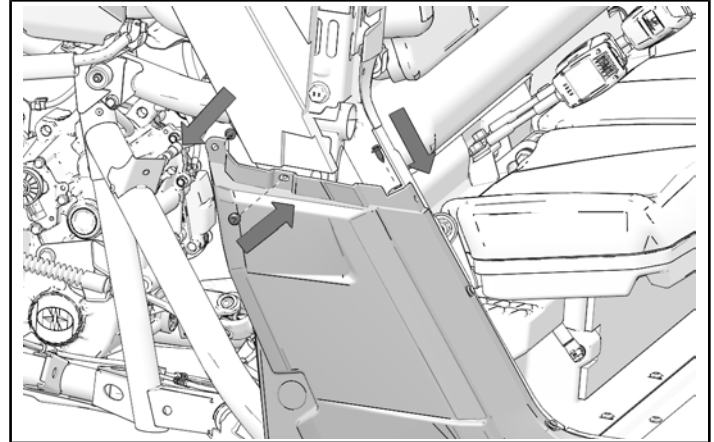


8. Install four push-pin rivets in rear door opening.



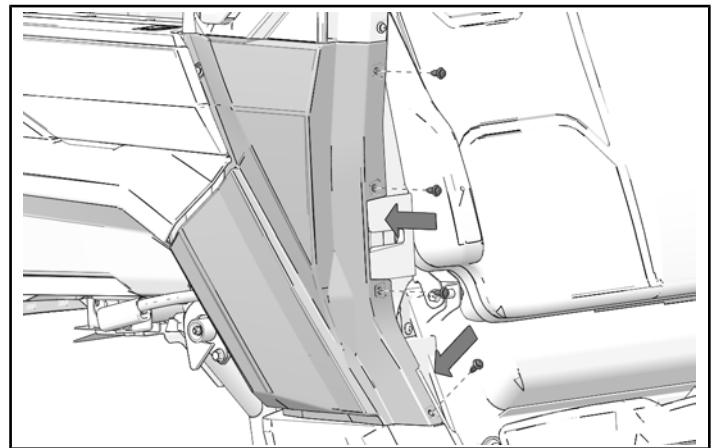
9. Pull out on bottom edge of rear fender. Install two push-pin rivets and one screw in top edge of bottom rocker panel. Torque screw to specification.

TORQUE
Screw:
27 in-lbs (3 N·m)



REAR FENDER INSTALLATION (RIGHT SIDE ONLY)

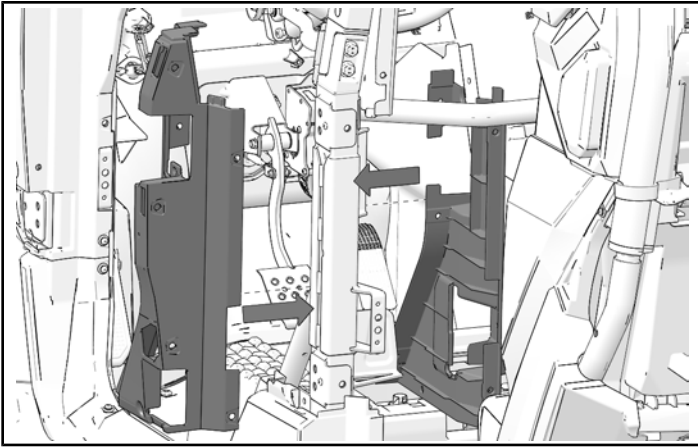
Install four push-pin rivets to attach rear fender.



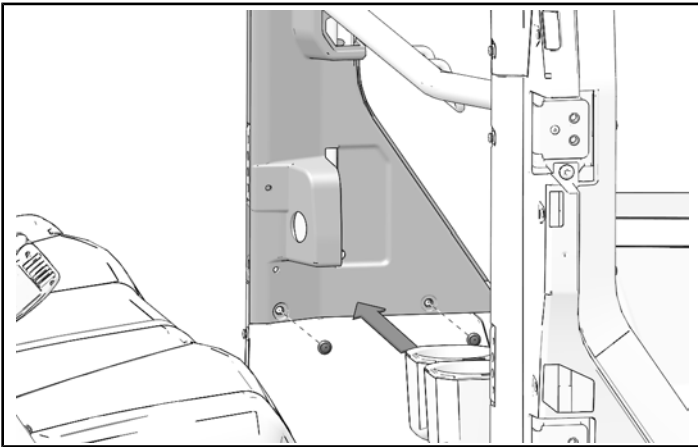
LOWER ROCKER PANELS INSTALLATION

NOTICE
Left side shown; right side similar.

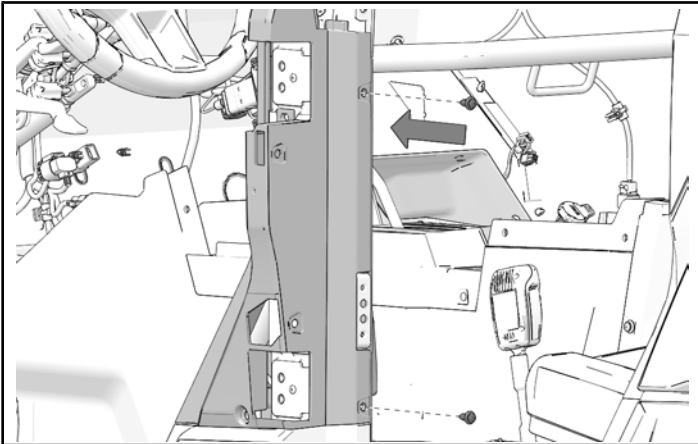
1. Install inner and outer rocker panels.



2. Install two push-pin rivets on inside of lower rocker panels.



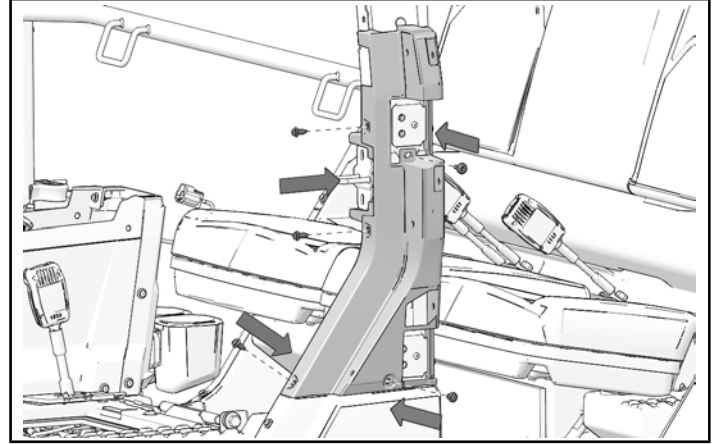
3. Install two push-pin rivets on rear side of lower rocker panels.



4. Install four push-pin rivets in lower rocker panels. Install one screw in lower rocker panel. Torque screw to specification.

TORQUE

Screw:
22 in-lbs (2.5 N·m)

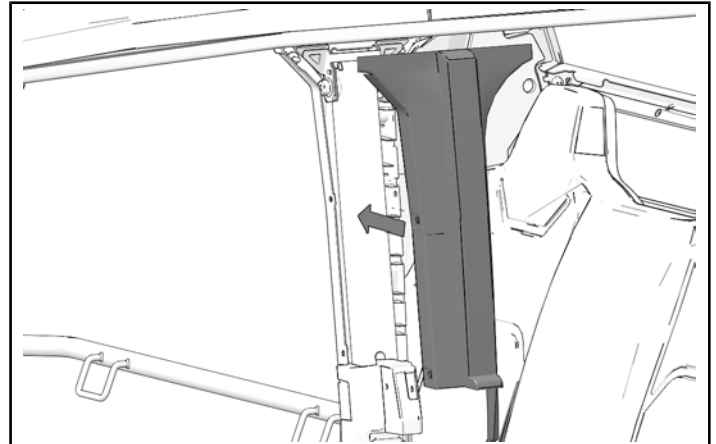


UPPER ROCKER PANEL INSTALLATION

NOTICE

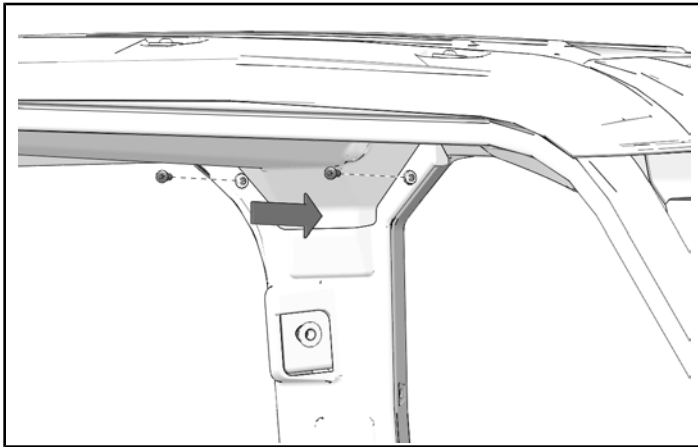
Left side shown; right side similar.

1. Install upper rocker panel.

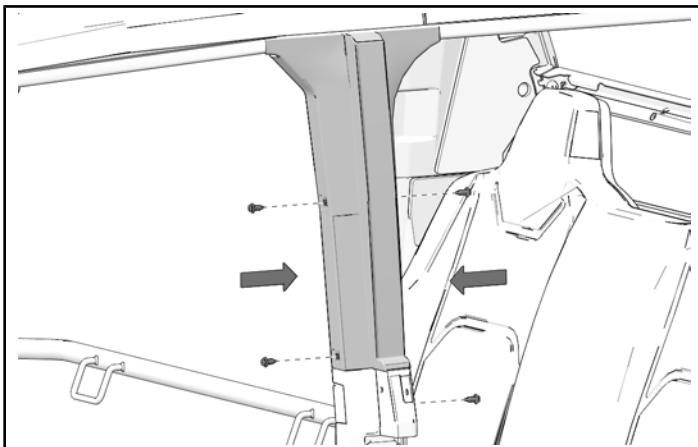


2. Install two screws in inside panel. Torque screws to specification.

TORQUE
Screws:
22 in-lbs (2.5 N·m)



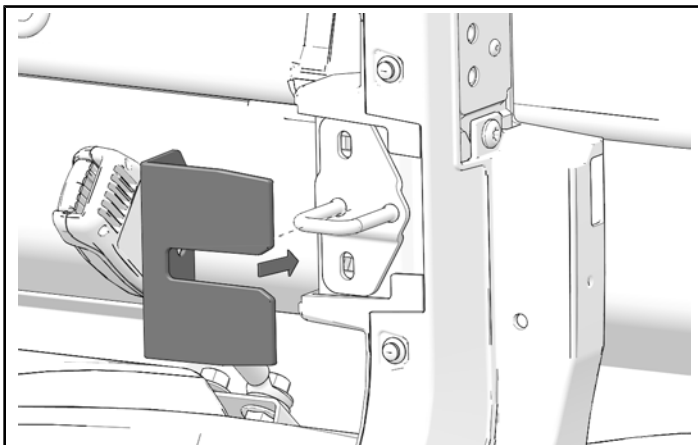
3. Install four push-pin rivets.



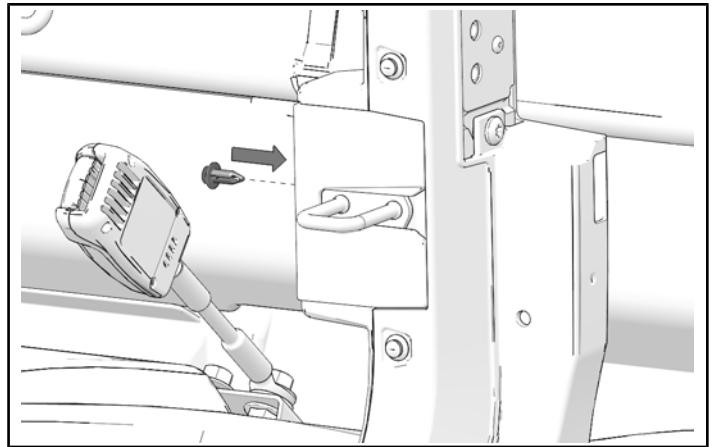
FRONT STRIKER COVER INSTALLATION

NOTICE
Left side shown; right side similar.

1. Install front striker cover.



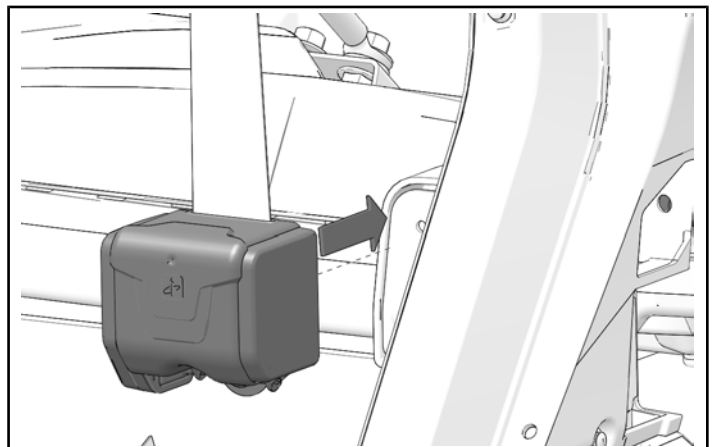
2. Install push-pin rivet.



FRONT SEAT BELT RETRACTOR INSTALLATION

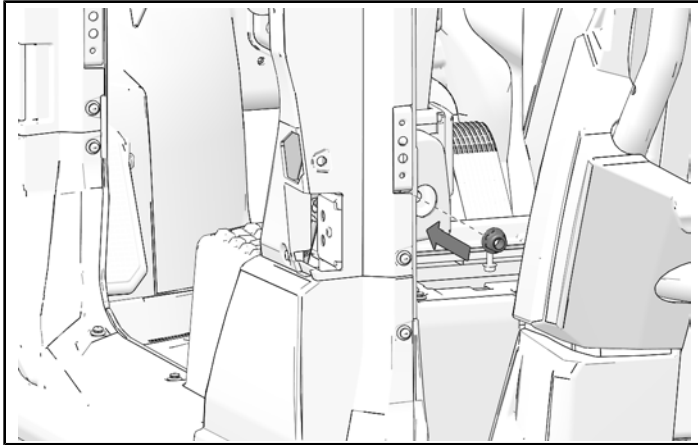
NOTICE
Left side shown; right side similar.

1. Install retractor on front of B-pillar

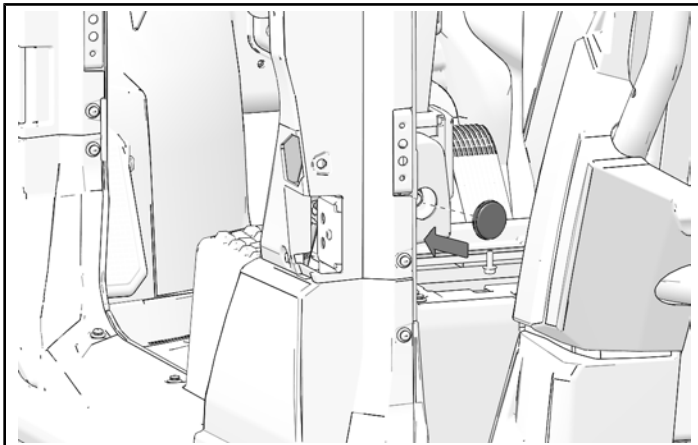


2. Install nut on rear of retractor. Torque nut to specification.

TORQUE
Nut:
44 ft-lbs (60 N·m)



3. Install rubber plug behind seat belt retractor.



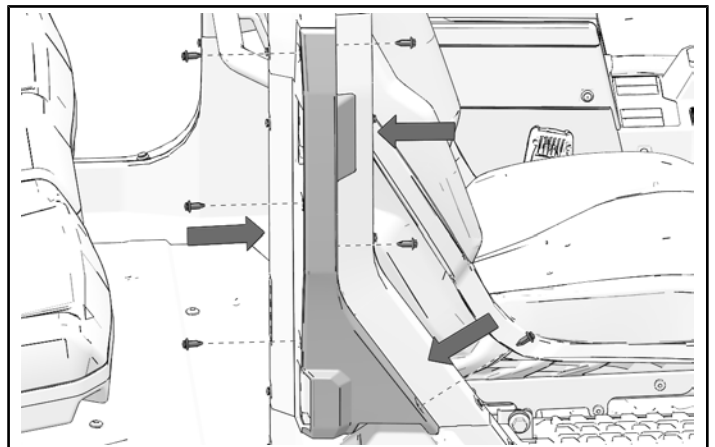
LOWER B-PILLAR TRIM INSTALLATION

NOTICE
Right side shown; left side similar.

1. Put lower tab into opening. Turn top of trim toward vehicle.



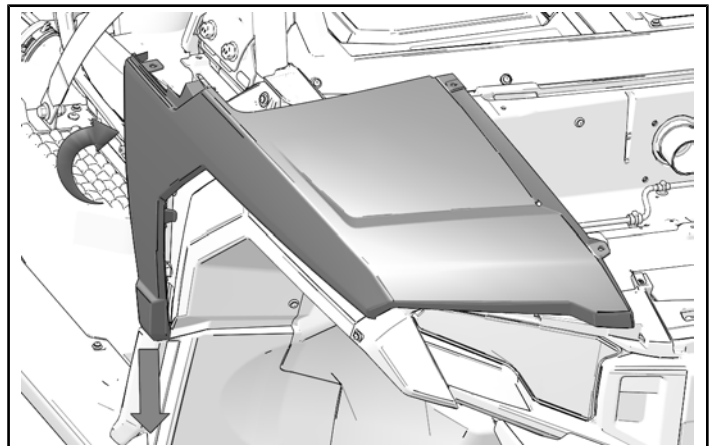
2. Install six push pin rivets.



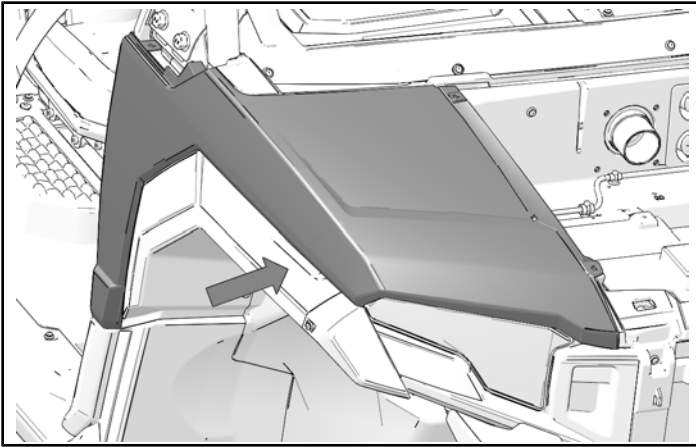
FRONT FENDER INSTALLATION

NOTICE
Right side shown; left side similar.

1. Put lower tab into opening. Turn top of fender toward vehicle.



2. Push fender inward to engage upper tabs.



3. Install two previously removed screws. Torque to specification

TIP

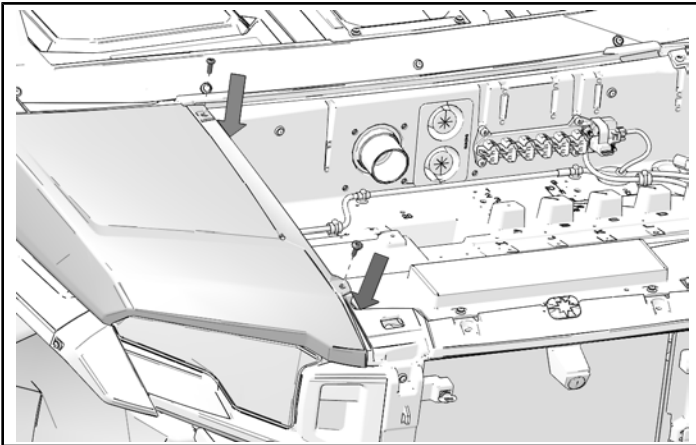
M6 screw is for front hole. #14 screw is for hole closer to dashboard.

TORQUE

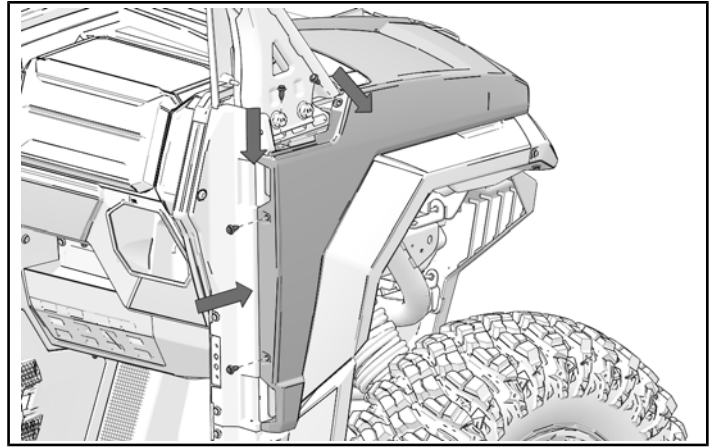
#14 Fender Screw:
30 in-lbs (3.4 N·m)

TORQUE

M6 Fender Screw:
40 in-lbs (4.5 N·m)

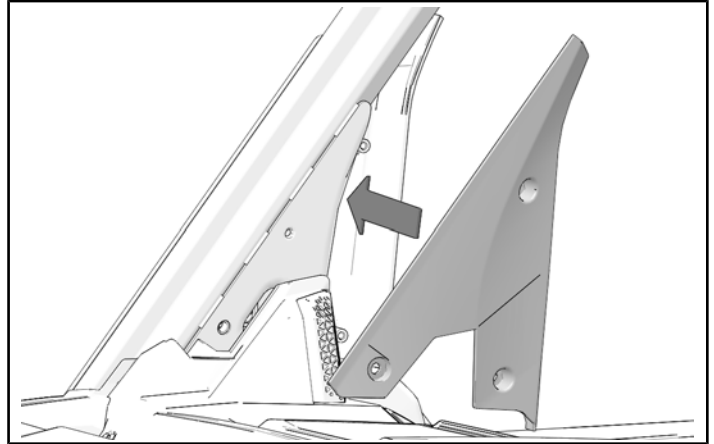


4. Install four push pin rivets.



INSTALL LOWER A-PILLAR TRIM

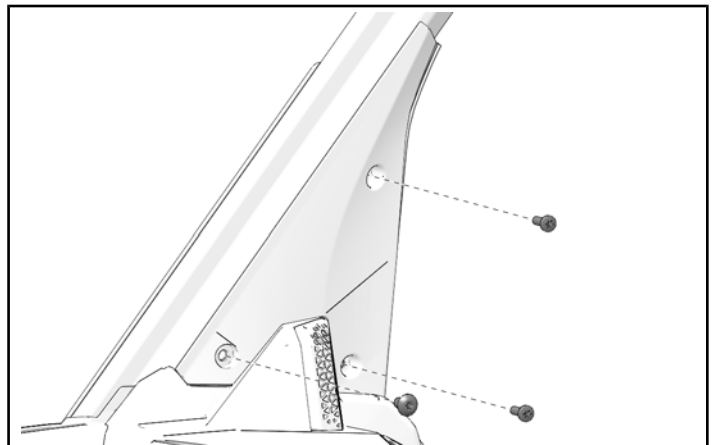
1. Put lower A-pillar trim in position at base of A-pillar.



2. Install three screws. Torque to specification.

TORQUE

Lower A-Pillar Trim Screws:
22 in-lbs (2.5 N·m)

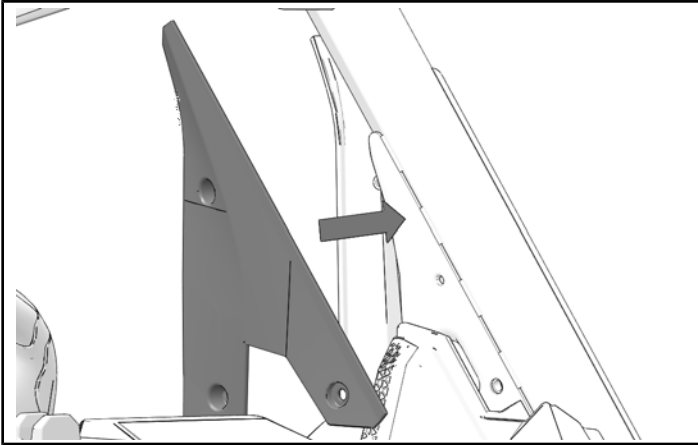


VEHICLES EQUIPPED WITH TIP-OUT WINDSHIELD

NOTICE

Left side shown; right side similar.

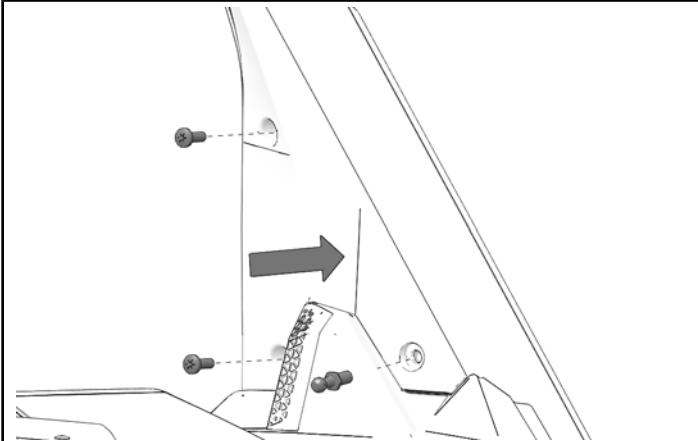
1. Put lower A-pillar trim in position at base of A-pillar.



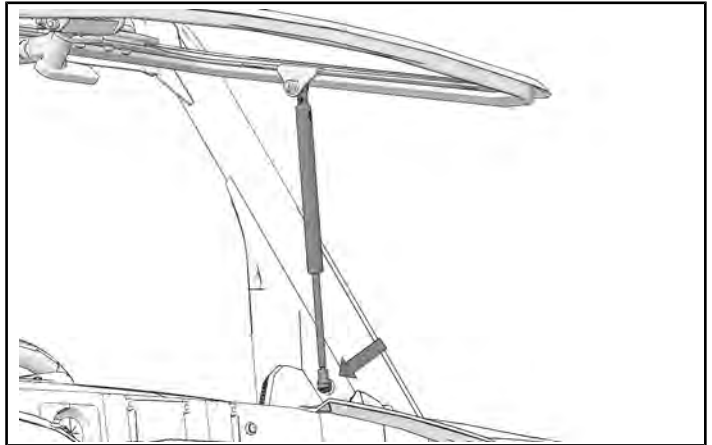
2. Install two screws and ball stud. Torque to specification.

TORQUE

Lower A-Pillar Trim Screws:
22 in-lbs (2.5 N·m)



3. Return clip at bottom of gas spring to engaged position. Connect bottom of gas springs.



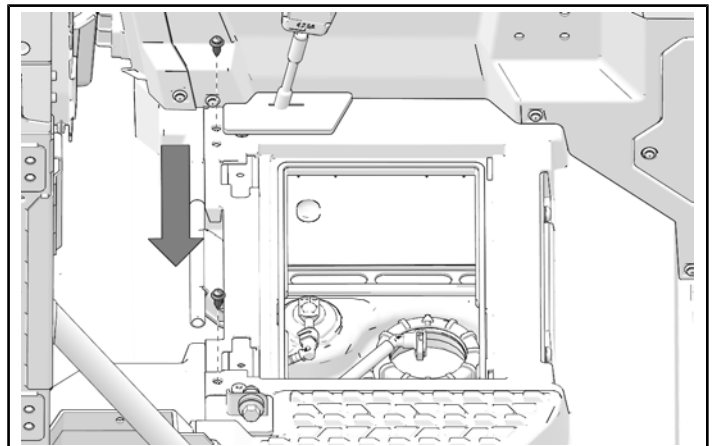
4. Remove windshield support and close tip-out windshield.

PASSENGER SEAT INSTALLATION

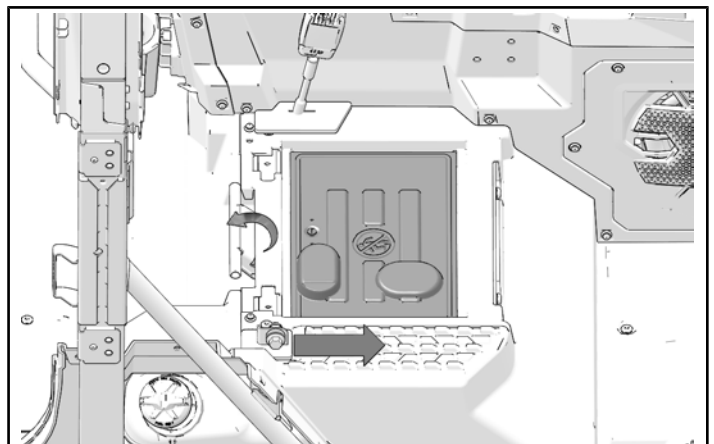
NOTICE

Doors hidden for clarity.

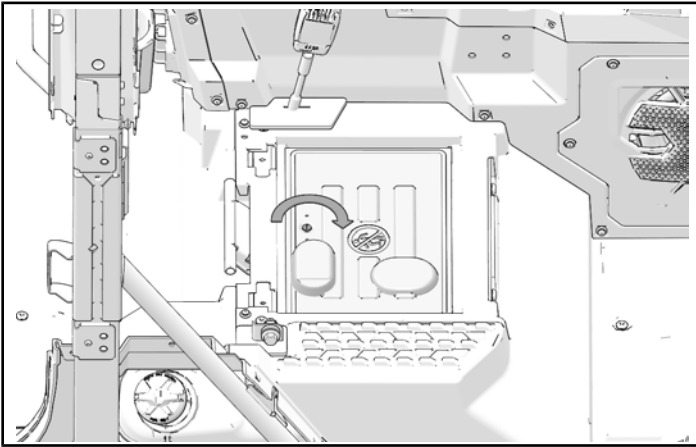
1. Install two push-pin rivets.



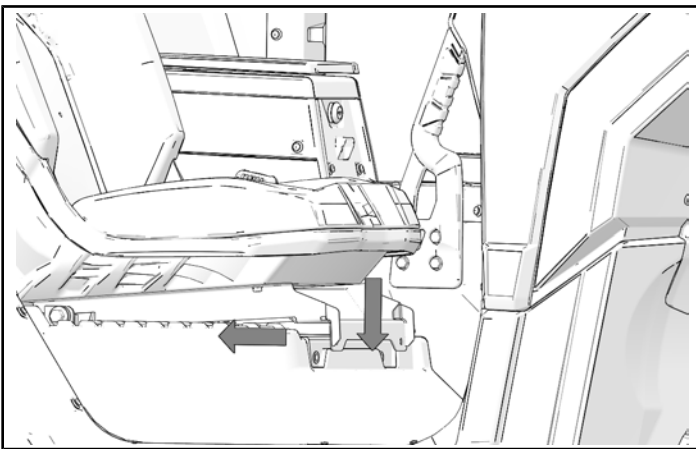
2. Push battery cover forward and lower into place.



3. Turn screw to close cover.

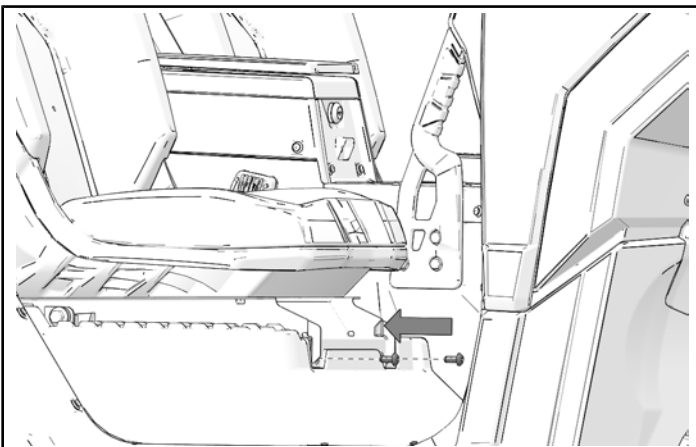


4. Push rearward to engage seat and lower front of seat into place.



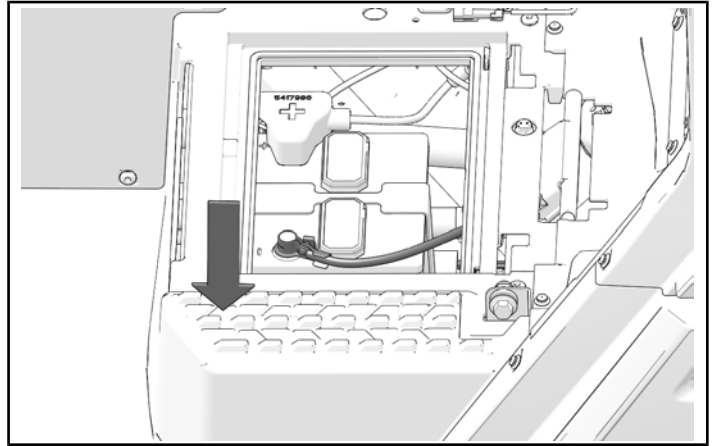
5. Install two kept screws at front of seat base. Torque screws to specification.

TORQUE
Screws:
13 ft-lbs (18 N·m)

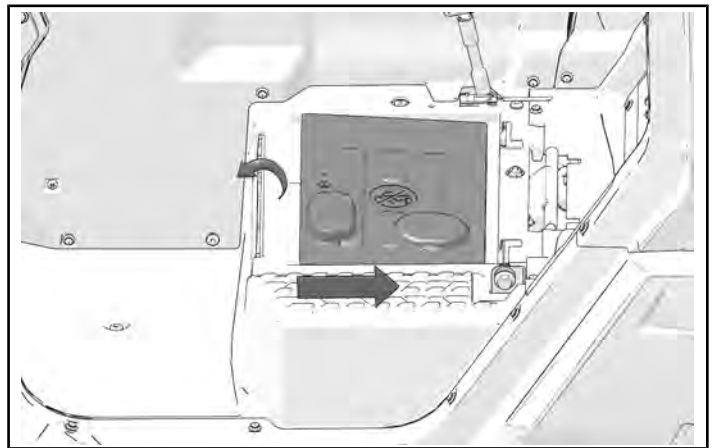


CONNECT BATTERY

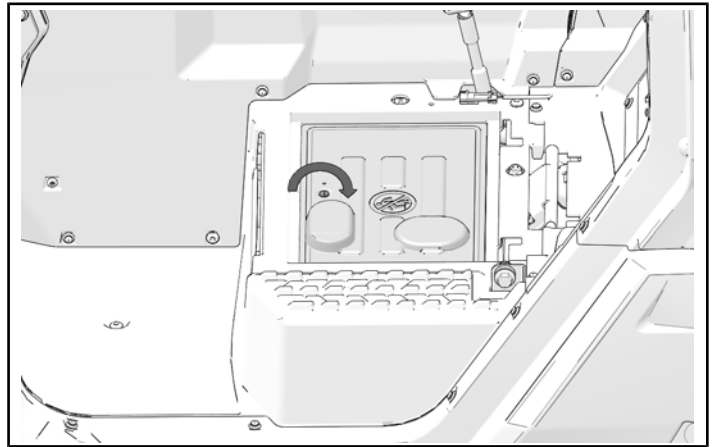
1. Connect negative cable to battery.



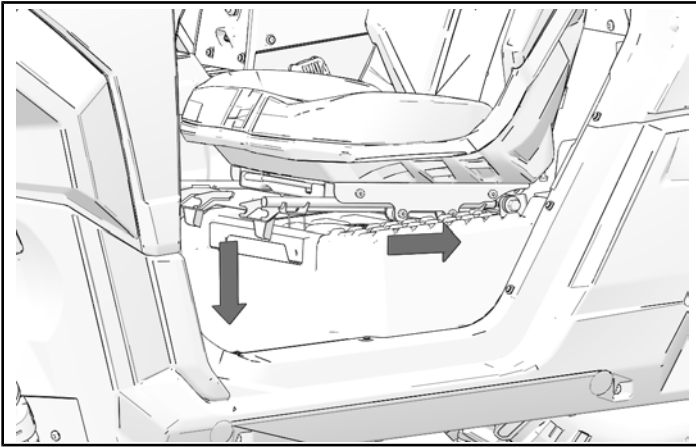
2. Push battery cover rearward and lower into place.



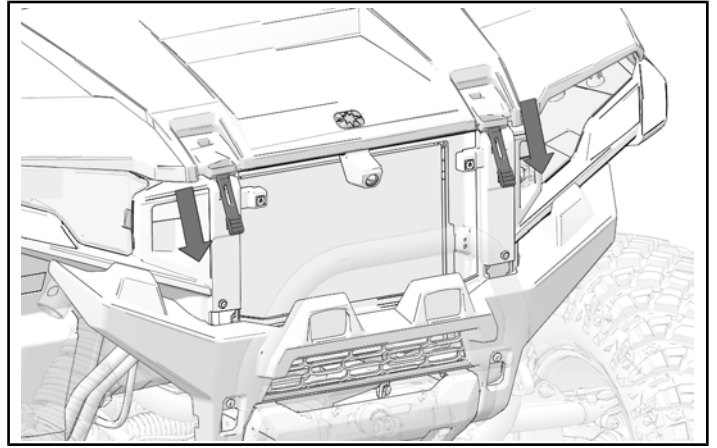
3. Turn screw to close cover.



4. Push rearward to engage seat and lower front of seat into place.



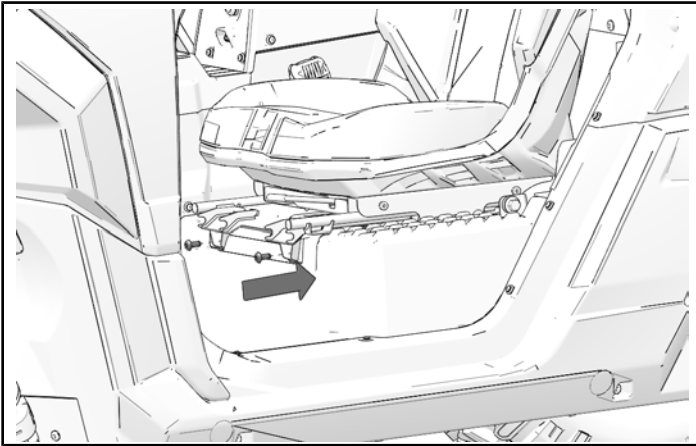
2. Pull rubber straps down over hooks to secure hood.



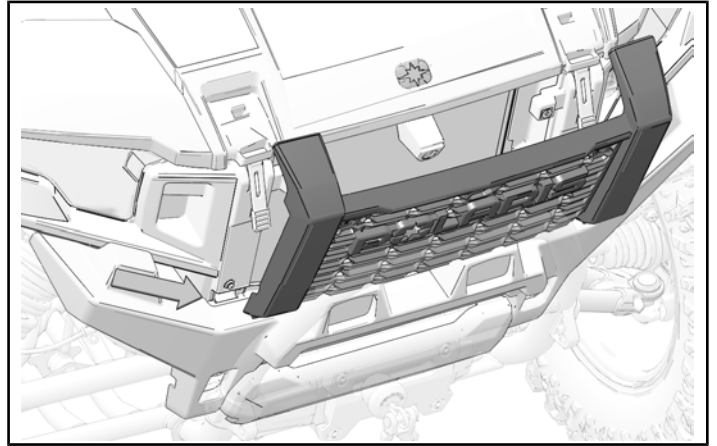
5. Install two kept screws at front of seat base. Torque screws to specification.

TORQUE

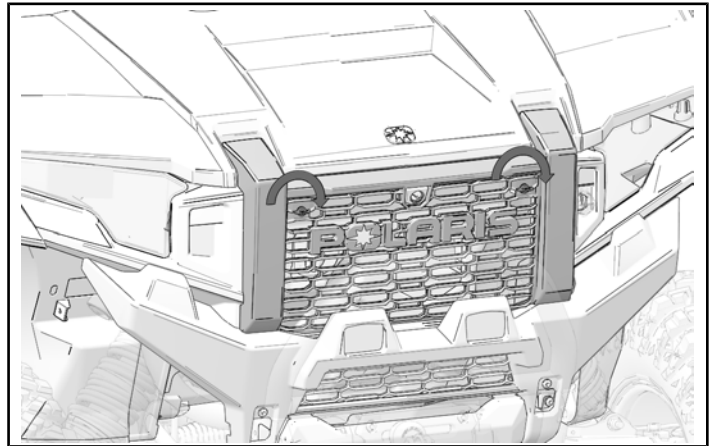
Screws:
13 ft-lbs (18 N·m)



3. Put tabs on grill through openings in front fascia. Push top of grill into correct position.

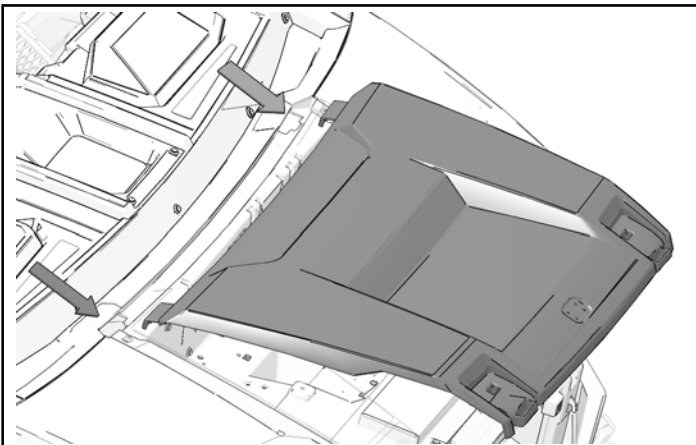


4. Push each stud in and turn one-quarter turn clockwise to attach grill.

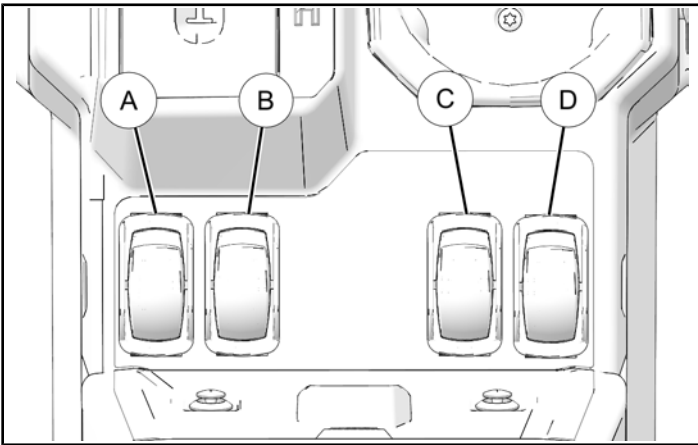


HOOD AND GRILL INSTALLATION

1. Put tabs on hood through openings in underhood liner. Then lower hood into position.



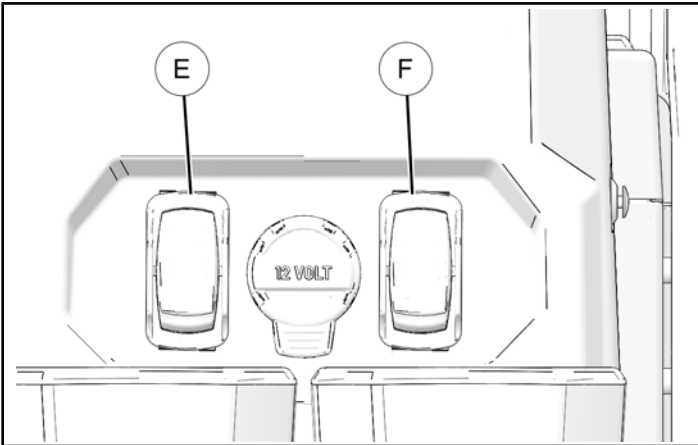
OPERATION



Front Switches

- Ⓐ Front left window
- Ⓑ Rear left window
- Ⓒ Rear right window
- Ⓓ Front right window

Pushing down on front edge of front switches lowers window. Pulling up on front edge of front switches raises window.



Rear Switches

- Ⓔ Rear left window
- Ⓕ Rear right window

Pushing on bottom edge of rear switches lowers window. Pulling on bottom edge of rear switches raises window.