

# UPPER DOOR KIT



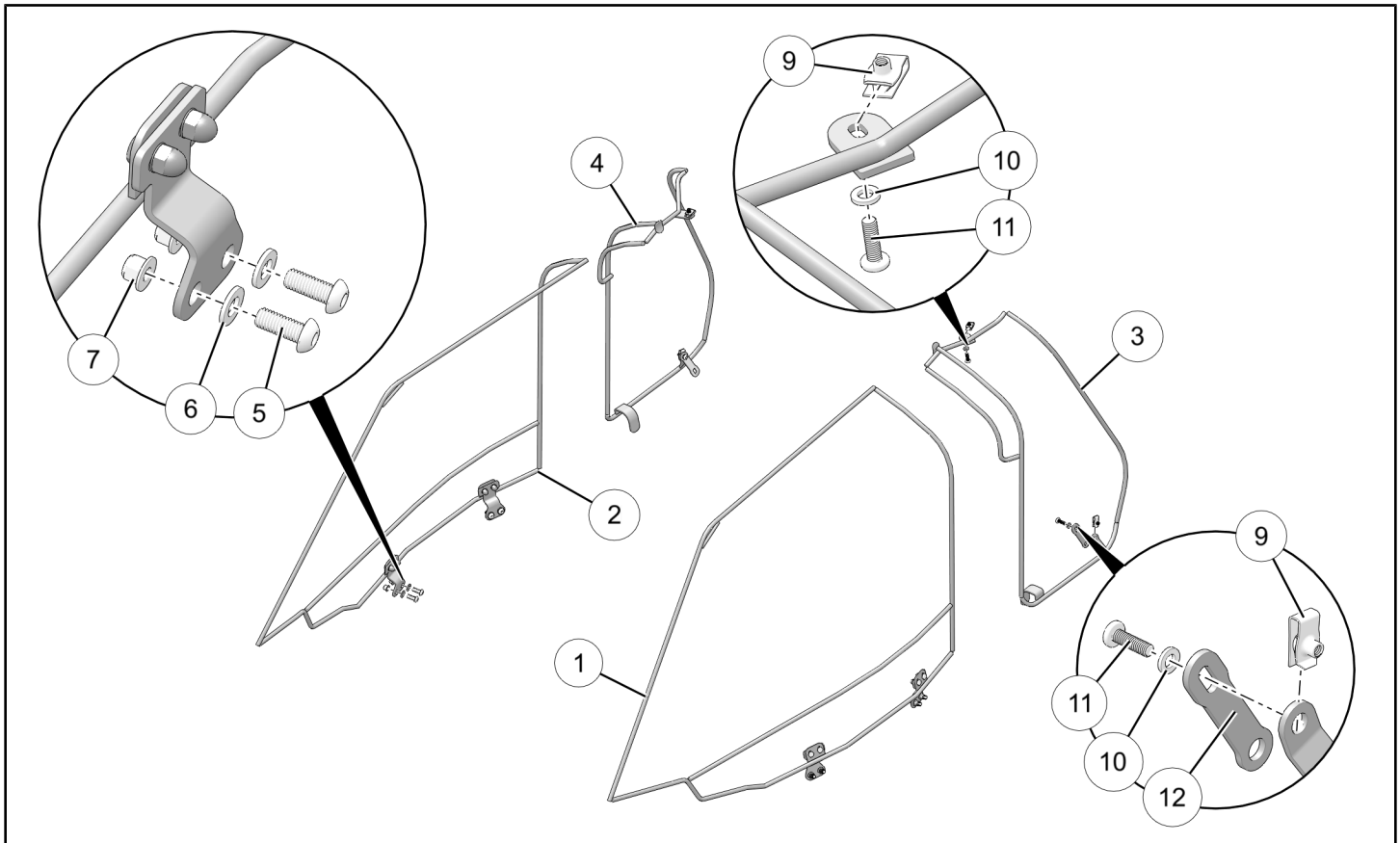
P/N 2884333

## BEFORE YOU BEGIN

Read these instructions and check to be sure all parts and tools are accounted for. Please retain these installation instructions for future reference and parts ordering information.

## KIT CONTENTS

This Kit includes:



REF	QTY	PART DESCRIPTION	PART NUMBER
1	1	Door, LH	-
2	1	Door, RH	-
3	1	Window, Rear LH	-
4	1	Window, Rear RH	-
5*	8	Screw, Hex Socket Button Head - M8 X 1.25 X 20	-
6*	8	Washer - M8	-
7*	8	Nut, Hex Flange, Locking - M8 X 1.25	-
8	-	(unused)	-
9*	4	Nut, Clip - M6 X 1.0	-
10*	4	Washer - M6	-

REF	QTY	PART DESCRIPTION	PART NUMBER
11*	4	Screw, Phillips - M6 X 1.0 X 20	-
12*	2	Strap, B-Pillar Mounting	-
13*	2	Strap, Retention, with Buckle (not shown)	-

Parts marked (\*) are included in Hardware Kit PN 2205253.

## TOOLS REQUIRED

- Safety Glasses
- Hex Key Set, Metric
- Screwdriver, Phillips, #2
- Screwdriver Set, Torx®
- Socket Set, Metric
- Socket Set, SAE
- Torque Wrench
- Wrench Set, Metric
- Wrench Set, SAE

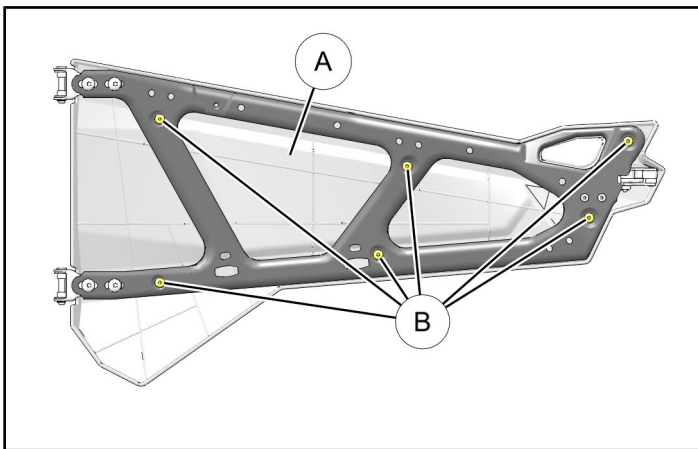
## IMPORTANT

Your Upper Door Kit is exclusively designed for your vehicle. Please read the installation instructions thoroughly before beginning. Installation is easier if the vehicle is clean and free of debris. For your safety, and to ensure a satisfactory installation, perform all installation steps correctly in the sequence shown.

## INSTALLATION INSTRUCTIONS

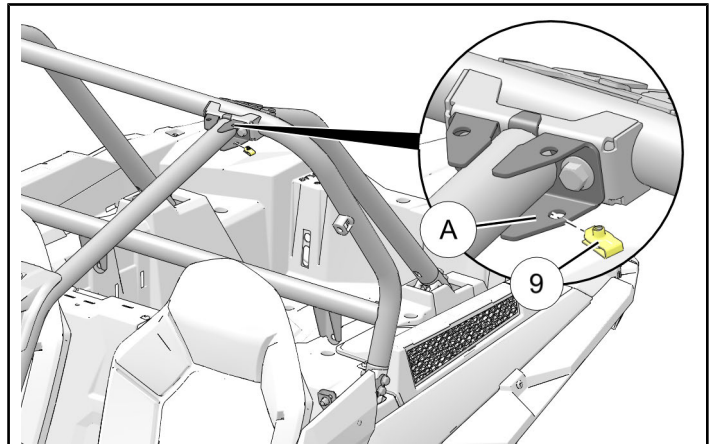
### VEHICLE PREPARATION

1. Shift vehicle transmission into "PARK". Turn ignition switch to "OFF" position and remove key.
2. Remove outer panel (A) from left door by removing six screws (B). Set panel aside. Retain screws. Repeat for right door.



### INSTALL REAR WINDOWS

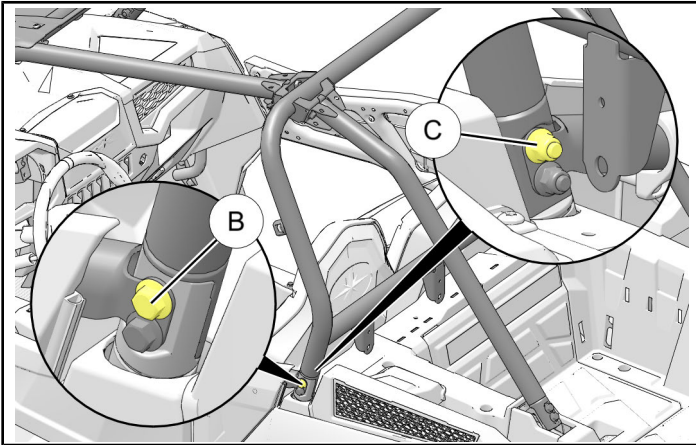
1. Install clip nut (9) to lower outboard gusset (A) at top of B-pillar. Ensure threaded portion of clip nut is oriented UPWARD as shown.



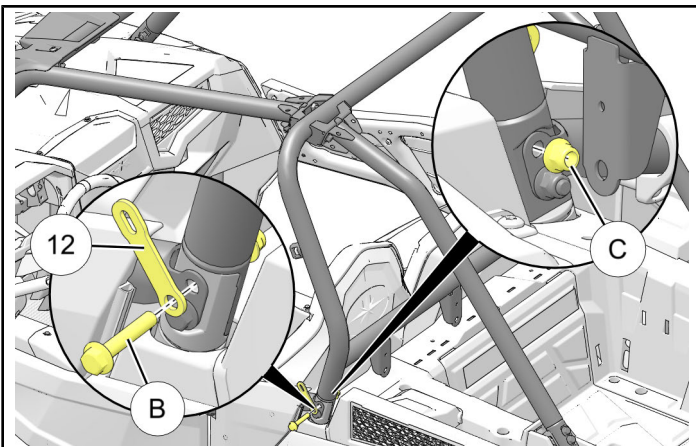
2. Remove ROPS mounting bolt **(B)** and nut **(C)** at bottom of B-pillar.

**IMPORTANT**

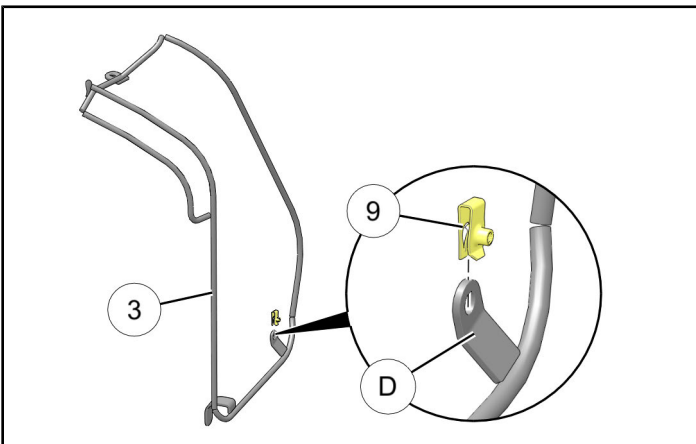
Only remove UPPER bolt and nut. Do not remove lower bolt and nut.



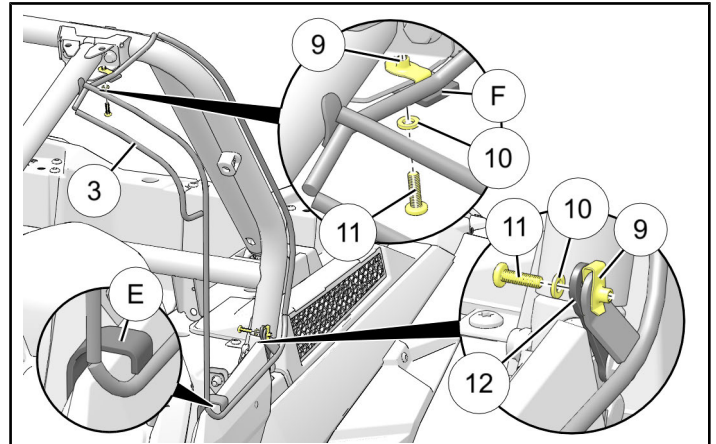
3. Loosely install strap **(12)** using mounting bolt **(B)** and nut **(C)**. Do not tighten bolt at this time.



4. Install clip nut **(9)** to lower rear tab **(D)** on left rear window **(3)**. Ensure threaded portion of clip nut is oriented OUTBOARD as shown.



5. Install left rear window **(3)**:
  - a. Slide U-bracket **(E)** over top of bolster.
  - b. Slide tab **(F)** beneath clip nut **(9)**, then loosely install screw **(11)** and washer **(10)**.
  - c. Align slot in mounting strap **(12)** with clip nut **(9)**, then loosely install screw **(11)** and washer **(10)**.
  - d. Secure two straps at top of window to ROPS tubing, then tighten two screws **(11)**.



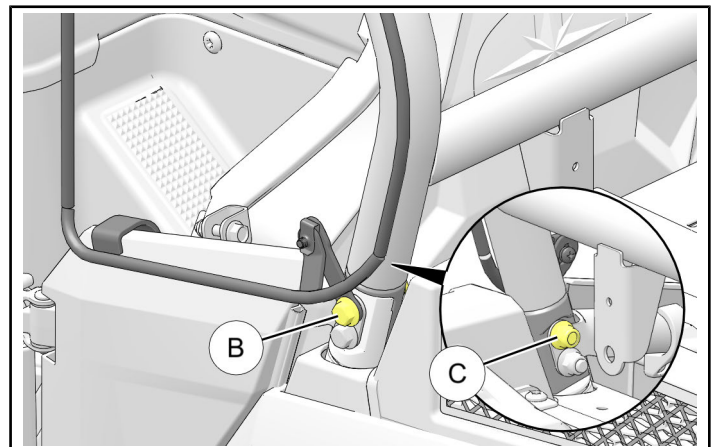
**WARNING**

Failure to torque fasteners as directed in next step will adversely affect ROPS integrity and may lead to serious injury or death in an accident.

6. Torque mounting bolt **(B)** and nut **(C)** to specification.

**TORQUE**

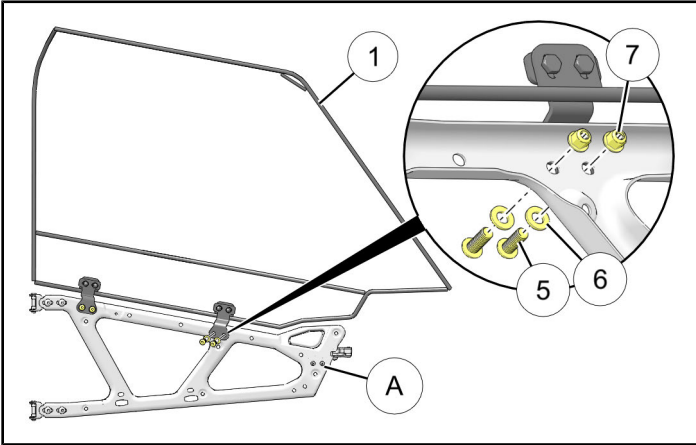
**40 ft-lbs (54 N·m)**



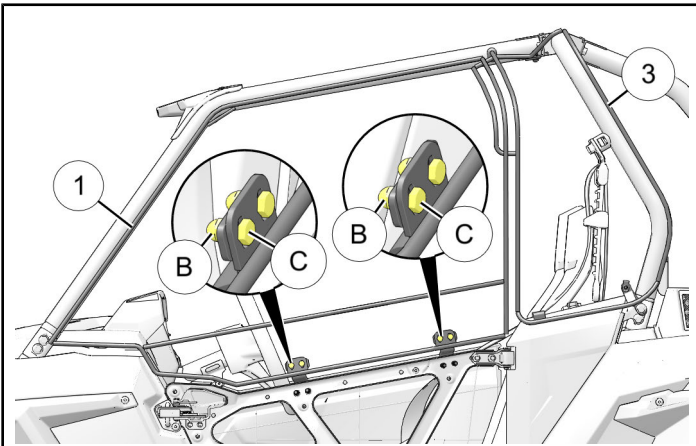
7. Repeat Steps 1–6 for RH side of vehicle using RH parts shown in previous section, **KIT CONTENTS**.

## INSTALL UPPER DOORS

1. Install (upper) LH door ① to corresponding vehicle door frame ④ using four each screws ⑤, washers ⑥, and nuts ⑦. Ensure nuts are installed on **OUTBOARD** side of vehicle door frame as shown. Tighten fasteners.



2. If door ① is not centered front to rear, between A-pillar and rear window, then loosen four each nuts ⑧ and screws ③. Center door, then retighten fasteners.



## OPERATION

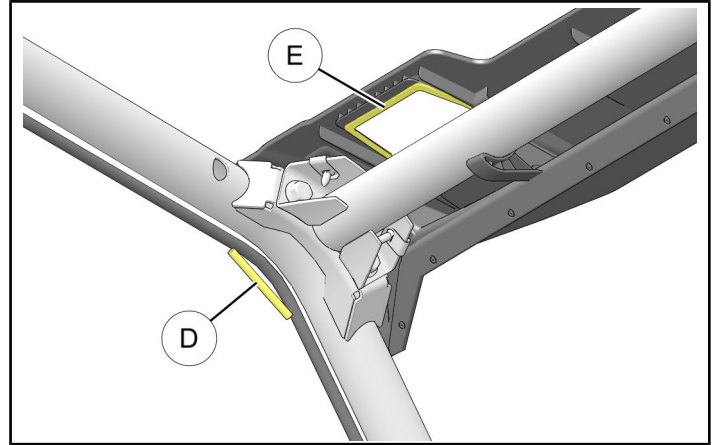
1. During vehicle operation upper forward corner of doors can be secured to ROPS using retention straps. See section, **INSTALL UPPER DOORS**, Step 3.

Detach strap from ROPS to exit vehicle.

2. Door latch buttons can be accessed from outside vehicle by unzipping fabric and reaching through opening.

3. Loop retention strap ⑩ through visor opening ⑨, then snap loop closed.

Attach buckle at end of retention strap to mating buckle pre-installed to gusset ⑪ at upper forward corner of door.



4. Reinstall outer door panel to door using retained screws. See previous section, **VEHICLE PREPARATION**, Step 2.
5. Repeat Steps 1–4 for RH side of vehicle using RH parts shown in previous section, **KIT CONTENTS**.

### ⚠ WARNING

If transporting vehicle in non-enclosed trailer then vehicle must **FACE FORWARD**, and upper forward corner of doors must be **SECURED** to ROPS using retention straps. Otherwise, upper doors and rear windows must be removed.

Failure to comply may allow airflow, vibration, or other factors to separate doors and/or windows from vehicle and cause an accident, resulting in serious injury or death.

See section, **INSTALL UPPER DOORS**, Step 3.

## FEEDBACK FORM

A feedback form has been created for the installer to provide any comments, questions or concerns about the installation instructions. The form is viewable on mobile devices by scanning the QR code or by clicking [HERE](#) if viewing on a PC.

