

# LIGHT BAR HARNESS KIT



P/N 2883949

## APPLICATION

Verify accessory fitment at [Polaris.com](https://www.polaris.com).

## BEFORE YOU BEGIN

Read these instructions and check to be sure all parts and tools are accounted for. Please retain these installation instructions for future reference and parts ordering information.

## REQUIRED SOLD SEPARATELY

Only parts for installation of Light Bar Harness Kit are included. Simultaneous installation of one of the following lightbar kits is also required (sold separately).

- *28 Inch Light Bar Kit*, P/N 2884074
- *32 Inch Light Bar Kit*, P/N 2883947
- *Fascia Light Bar Kit*, P/N 2883948

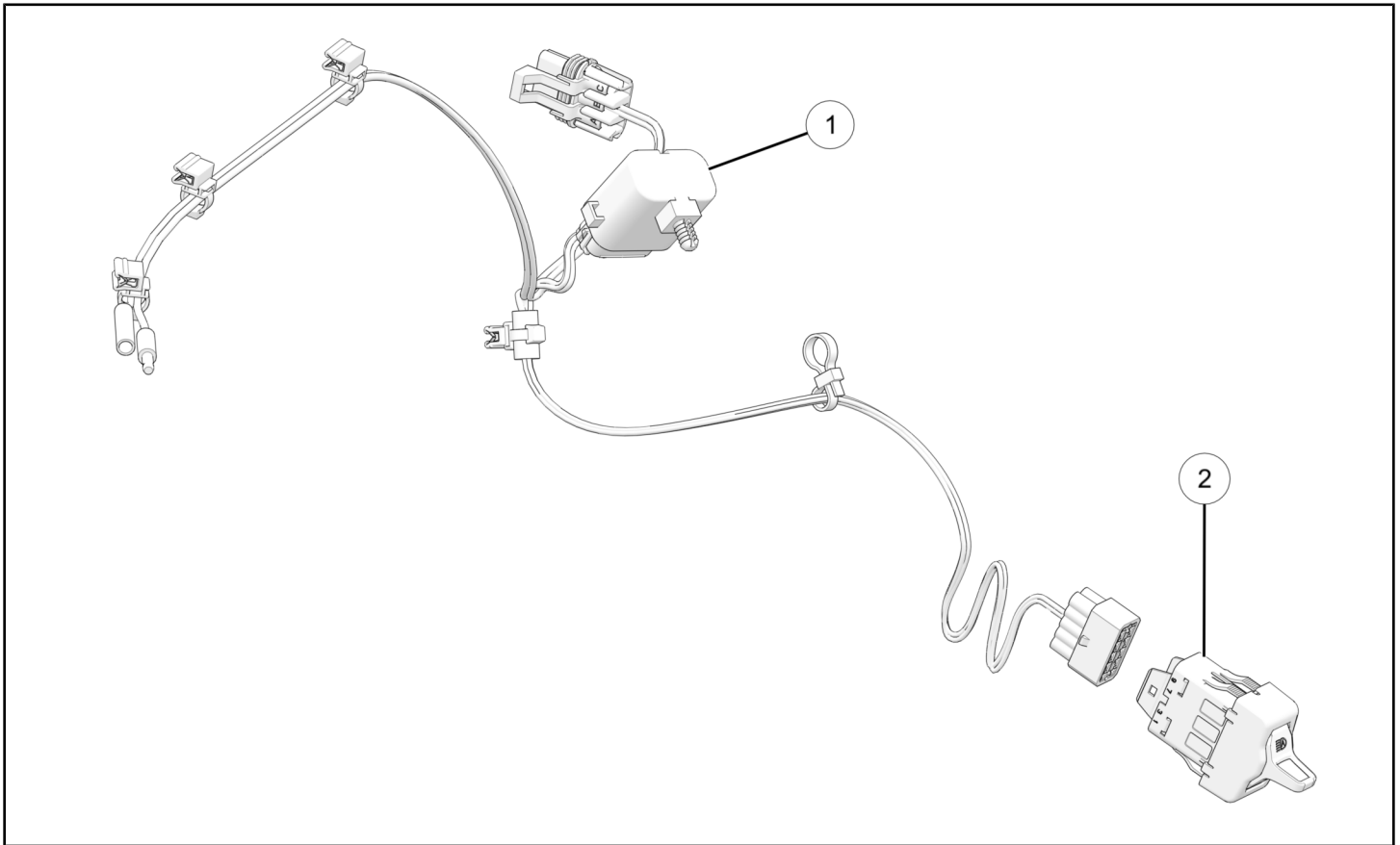
Only parts for installation of the Light Bar Harness Kit are included. Prior installation of the following additional kits is also required (sold separately):

- *Poly Roof Kit*, P/N 2882938 (2 passenger), or 2883946 (4 passenger)
- *Aluminum Roof Kit*, P/N 2883961-XXX (2 passenger), or 2883991-XXX (4 passenger)

### NOTE

XXX = Polaris® color code (For example: 266 = Black)

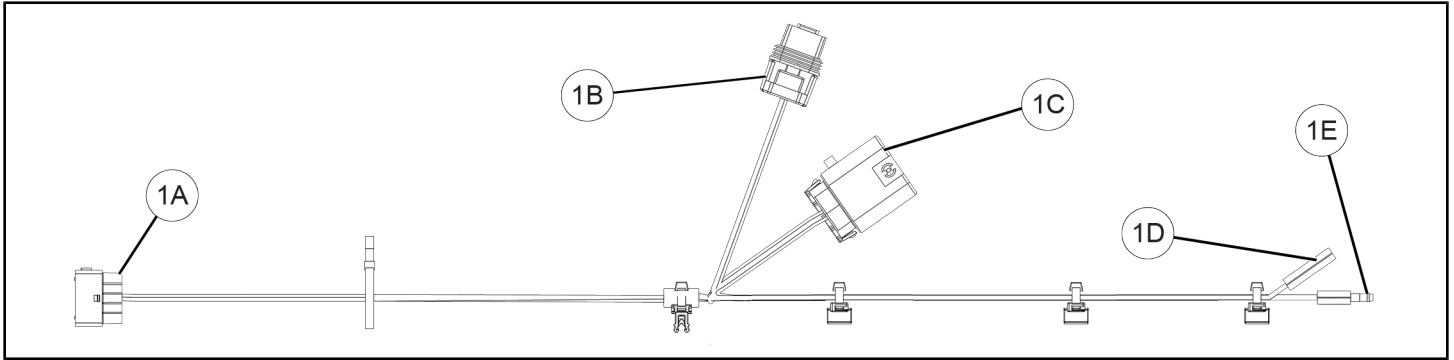
# KIT CONTENTS



REF	QTY	PART DESCRIPTION	P/N AVAILABLE SEPARATELY
1	1	Harness, Lightbar, Dash	-
2	1	Switch, Light, Accessory	4018375
	1	Instructions	9929848

# HARNESS DETAIL

## LIGHT BAR HARNESS



REF	PART DESCRIPTION	PIN QTY/ GENDER	CONNECTS TO
1A	Light Bar switch connector	10 pin / female	Light Bar Switch
1B	Power Connector	3 pin / female	Bus Bridge
1C	Relay/Fuse Block	8 pin / female	Firewall
1D	Light Bar Positive Connector	1 pin / female	Light Bar Positive (+) wire
1E	Light Bar Ground Connector	1 pin / male	Light Bar Ground (-) wire

## TOOLS REQUIRED

- Safety Glasses
- Pliers, Side Cutting
- Push Dart (Panel Clip) Tool
- Socket Set, Torx® Bit
- Torque Wrench

## CONSUMABLES REQUIRED

- Tape, Electrical

## IMPORTANT

Your Light Bar Harness Kit is exclusively designed for your vehicle. Please read the installation instructions thoroughly before beginning. Installation is easier if the vehicle is clean and free of debris. For your safety, and to ensure a satisfactory installation, perform all installation steps correctly in the sequence shown.

## INSTALLATION INSTRUCTIONS

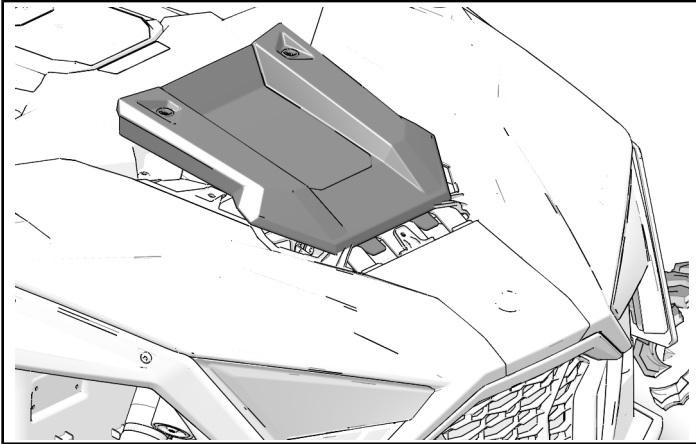
### VEHICLE PREPARATION

#### GENERAL

1. Shift vehicle transmission into "PARK". Turn ignition switch to "OFF" position and remove key.

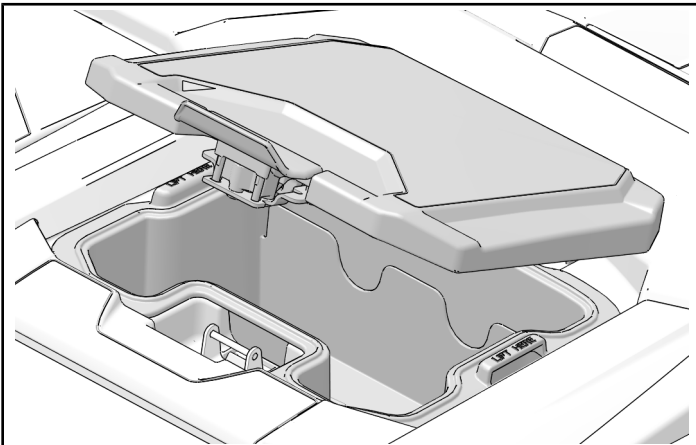
## CENTER HOOD PANEL REMOVAL

1. Turn two quarter-turn fasteners to loosen center hood panel. Slide panel backwards until tabs clear front hood panel.

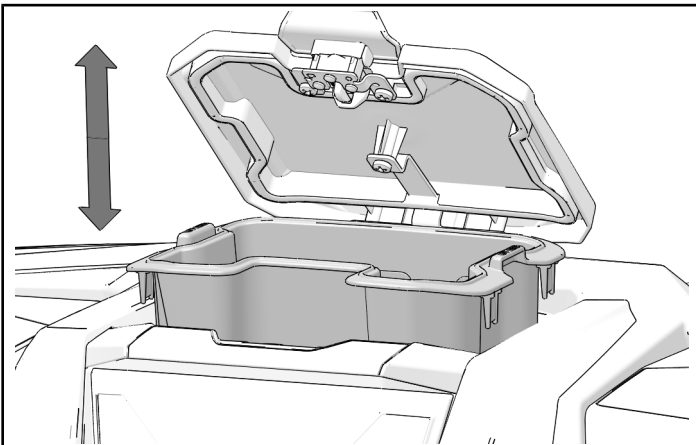


## CENTER DASHBOARD STORAGE REMOVAL

1. Open center dashboard storage compartment.



2. Remove storage compartment from dashboard.

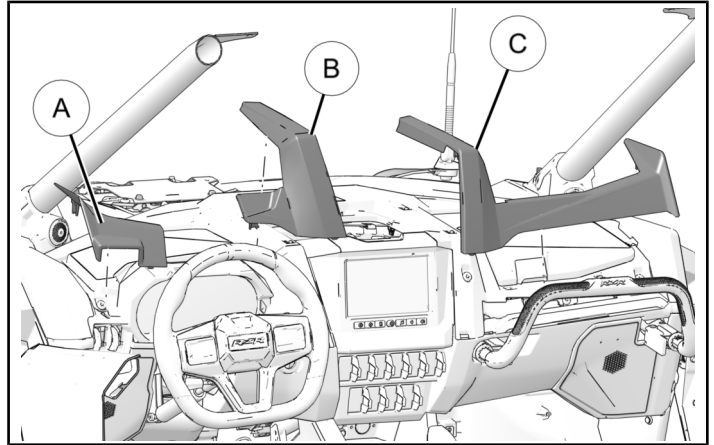


## DASHBOARD TOP REMOVAL

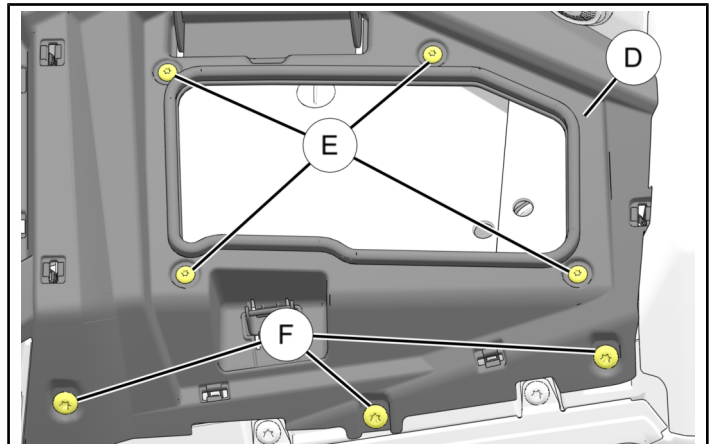
1. Carefully pull up to remove and retain left (A), center (B), and right (C) dash trim pieces.

### TIP

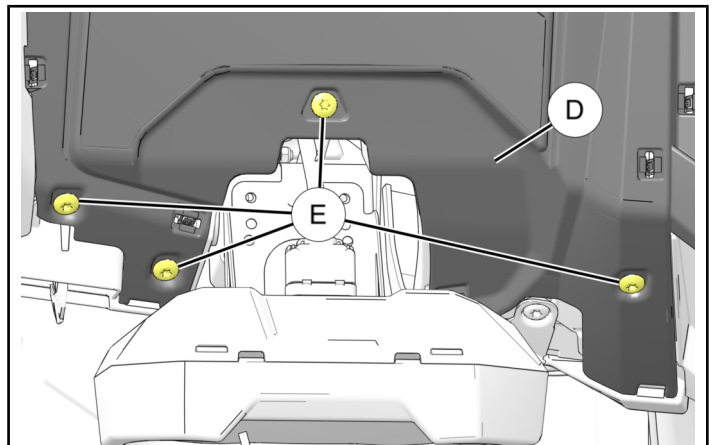
Release steering tilt lock for better access.



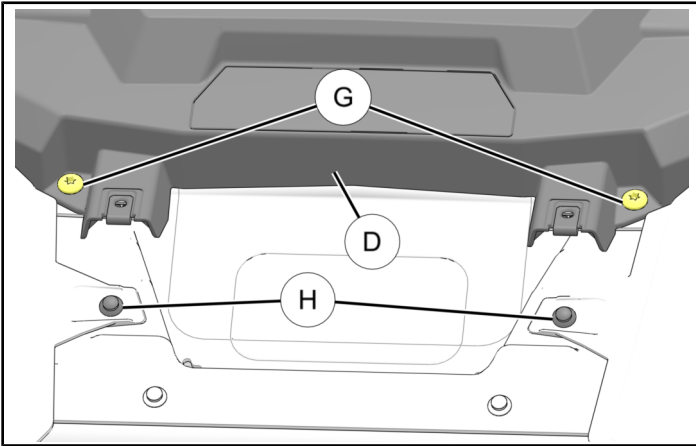
2. Open glove box lid. Remove and retain four screws (E) around glove box opening and three screws (F) from front of dashboard top (D). Make note of different screw sizes.



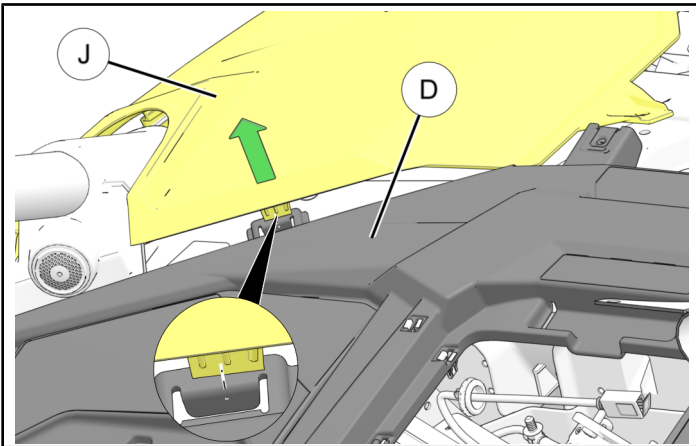
3. Tilt steering wheel down. Remove and retain four screws (E) from dashboard top (D).



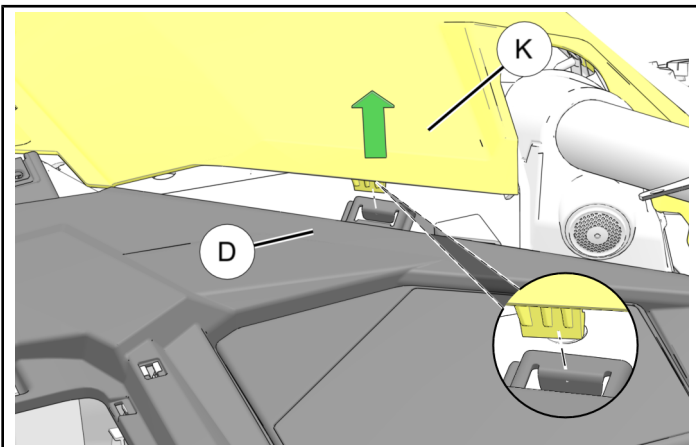
- On front of vehicle, near rear edge of center hood panel opening, remove and retain two screws **G** from dashboard top **D**. Remove and retain two pushpin rivets **H** from front side panels.



- Carefully lift edge of left front fender **J** to release tab from dashboard top **D** as shown.



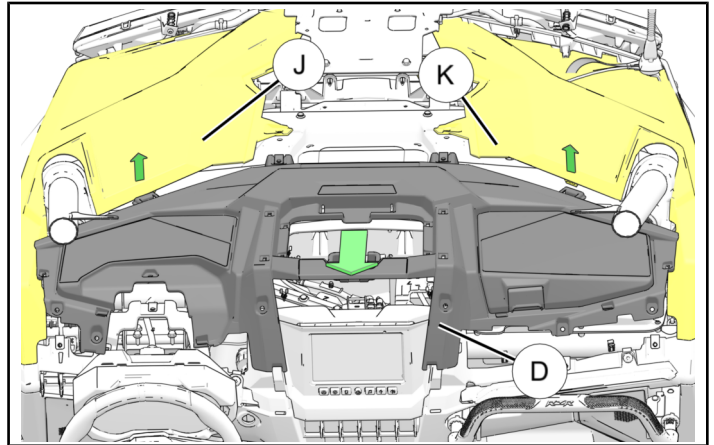
- Carefully lift edge of right front fender **K** to release tab from dashboard top **D** as shown.



- Carefully keep panels **J** and **K** up and away from tabs and remove dashboard top **D** by tilting rear section up and pulling out toward rear.

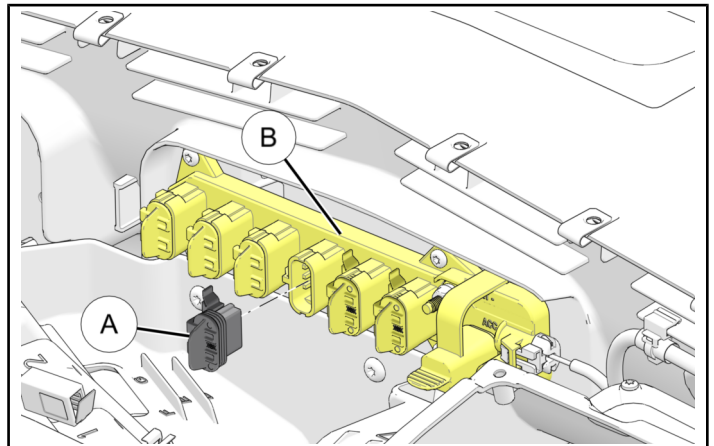
#### TIP

Have a second person to hold panels up.

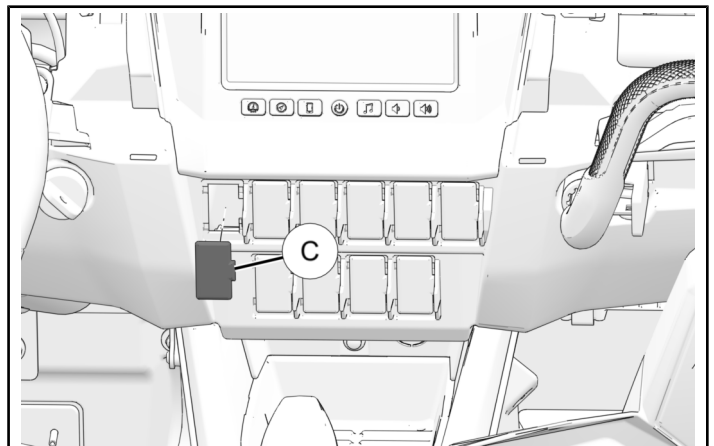


## ACCESSORY INSTALLATION

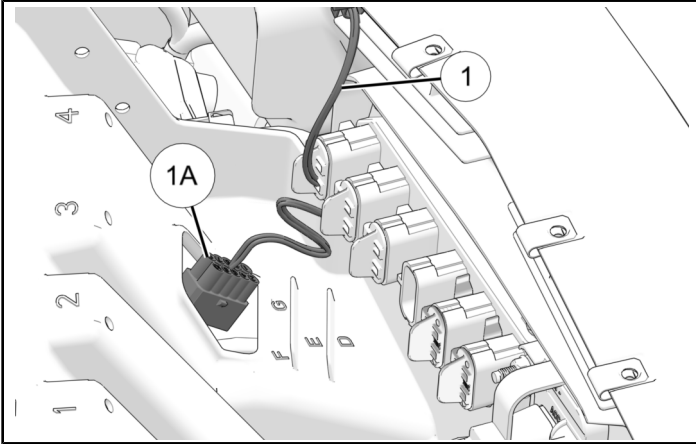
- Remove plug **A** from bus bar **B**.



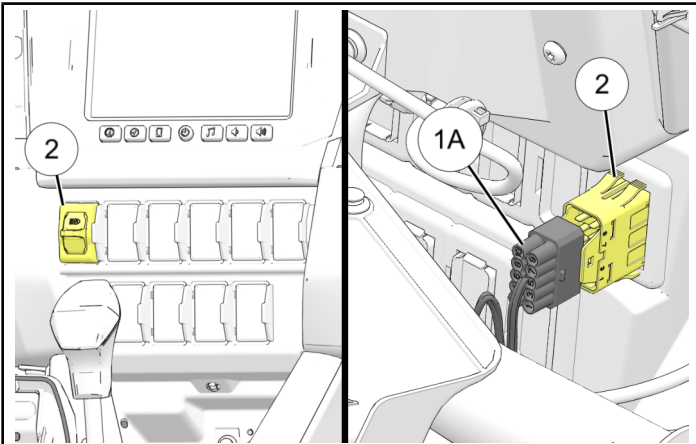
- Remove desired blank **C** from dashboard panel.



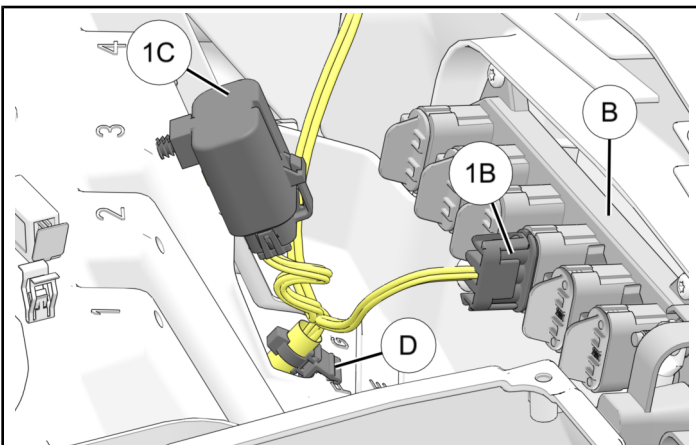
3. Feed light bar switch connector **1A** (from light bar harness **1**) through opening in dash towards dashboard panel.



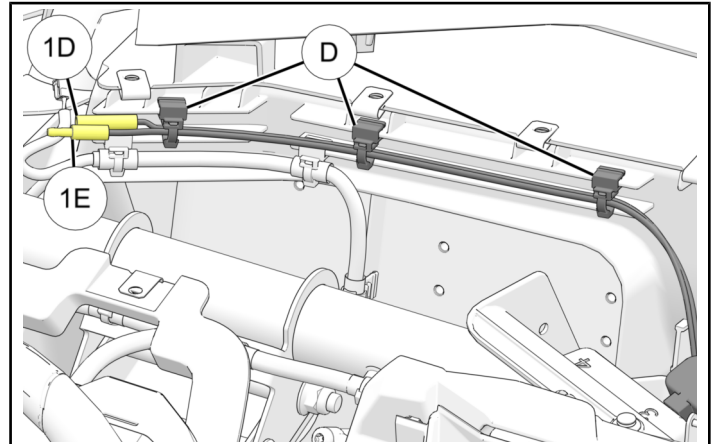
4. Install light bar switch **2** from front in desired location. Plug connector **1A** from light bar Harness **1** into switch.



5. Attach clip **D** to edge of opening. Plug Power Connector **1B** into bus bar **B**. Attach Relay/Fuse Block **1C** to dashboard as shown.



6. Route harness along top edge of firewall as shown, secure with attached clips **D** to firewall. Positive (**1D**) and Ground (**1E**) connectors should be close to roll cage base.



7. Return to light bar instructions and complete installation of light bar.

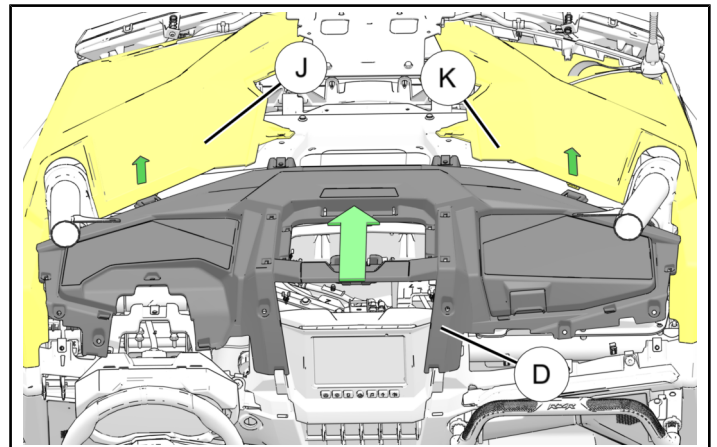
## VEHICLE REASSEMBLY

### DASHBOARD TOP INSTALLATION

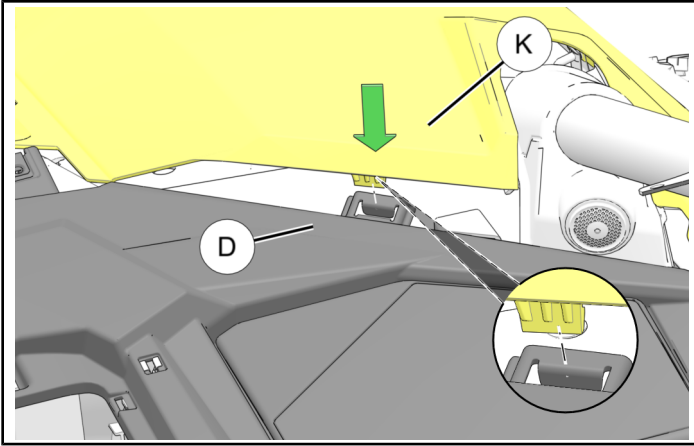
1. Carefully lift panels **J** and **K** up and away from tabs and install dashboard top **D** into place by tilting rear section up and installing front section first, then lower rear section into place.

#### TIP

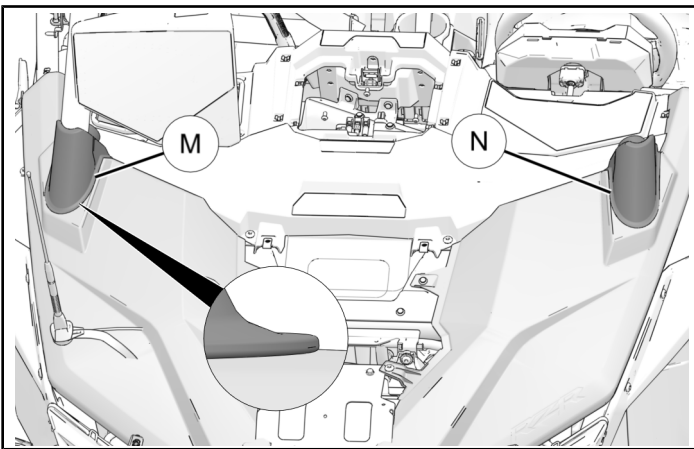
Have a second person to hold panels up.



- Ensure that tabs on panels **J** and **K** are aligned in slots on dashboard top **D**. (Only panel **K** shown. Panel **J** is similar.)



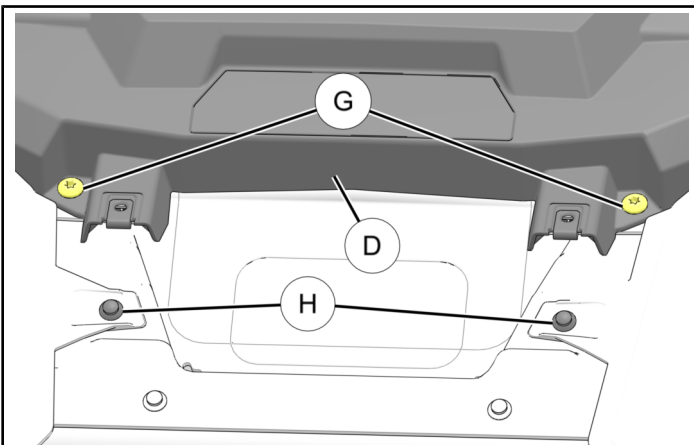
- Ensure that both right **M** and left **N** rubber boots are properly installed. Only upper lip should be visible, as shown with inset.



- Reinstall two retained screws **G** into front edge of dashboard top **D** and two retained pushpin rivets **H**. Torque screws to specification.

#### TORQUE

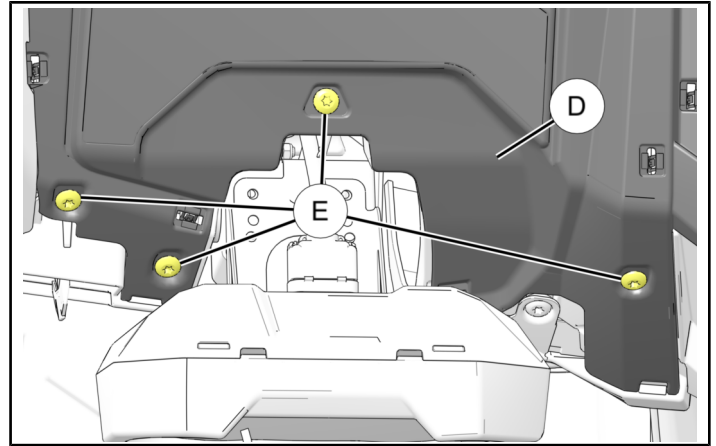
Screw **G**:  
88 in-lbs (10 Nm)



- Tilt steering wheel down. Install four retained screws **E** through dashboard top and torque to specification.

#### TORQUE

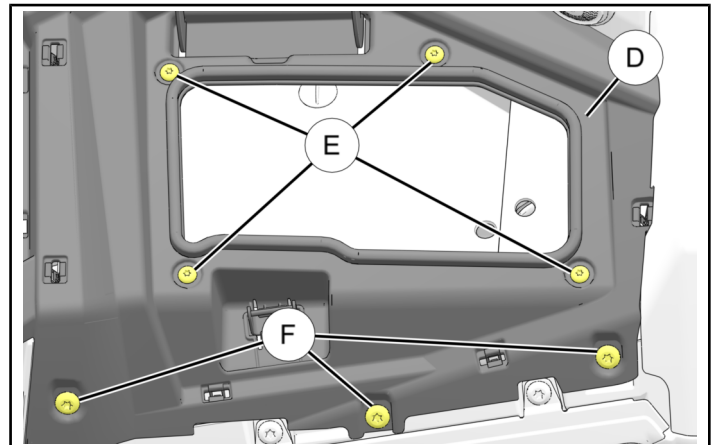
Screw **E**:  
88 in-lbs (10Nm)



- Open glove box lid. Install four retained screws **E** around glove box opening and three retained screws **F** in front of dashboard top **D**. Torque screws to specification.

#### TORQUE

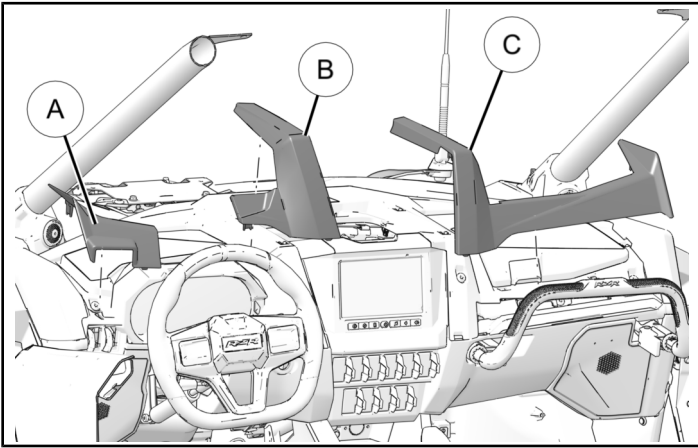
Screw **E** and **F**:  
88 in-lbs (10 Nm)



7. Install retained left (A), center (B), and right (C) dash trim pieces.

**TIP**

Release steering tilt lock for better access.



**GENERAL**

1. Reinstall center dashboard storage compartment.
2. Reinstall center hood panel.

**FEEDBACK FORM**

A feedback form has been created for the installer to provide any comments, questions or concerns about the installation instructions. The form is viewable on mobile devices by scanning the QR code or by clicking [HERE](#) if viewing on a PC.

