

SUBWOOFER KIT



P/N 2882890, 2884233

APPLICATION

Verify accessory fitment at Polaris.com.

IMPORTANT

This Subwoofer Kit is not compatible with Underseat Storage Kit PN 2882910.

BEFORE YOU BEGIN

Read these instructions and check to be sure all parts and tools are accounted for. Please retain these installation instructions for future reference and parts ordering information.

KIT CONTENTS

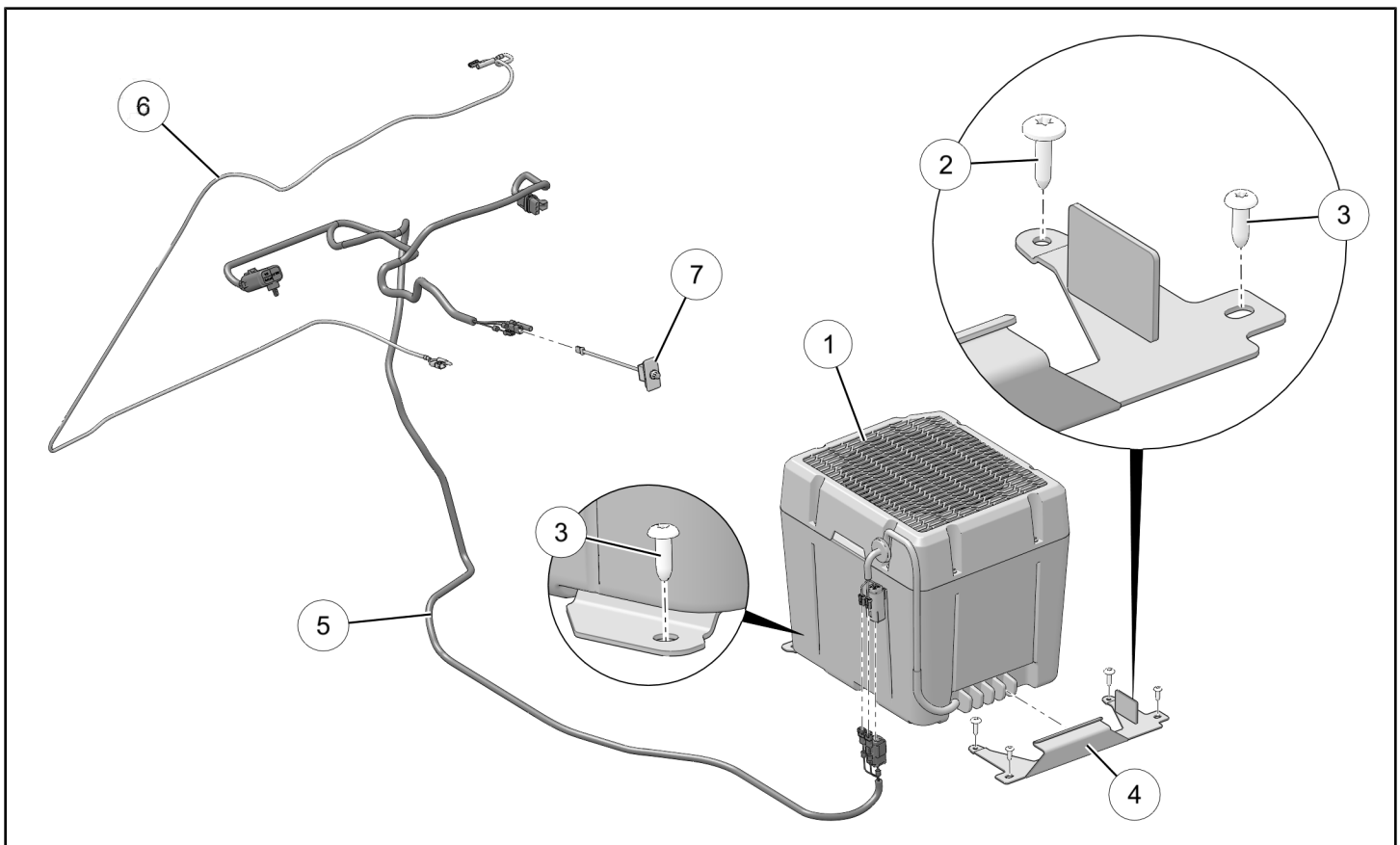
This kit contains parts for installation of the subwoofer only. Prior installation of one of the following audio source systems (or equivalent) is also required (sold separately):

- RIDE COMMAND® Installation Kit, PN 2882872, and RIDE COMMAND® Audio Kit, PN 2883956
- Dash Audio Kit, PN 2882750
- Visor Audio Kit, PN 2882888

NOTE

If installing this Subwoofer Kit in a vehicle with RIDE COMMAND® **pre-installed** from the factory, then Audio Adapter Kit PN 2883232 is also required (sold separately).

This Kit includes:



REF	QTY	PART DESCRIPTION	PART NUMBER
1	1	Subwoofer	-
2	2	Screw, Torx® Truss Head - M6 X 1.0 X 25	7519650
3	3	Screw, Torx® Truss Head, High/Low - #14 X 3/4	7519045
4	1	Bracket	1024786
5	1	Harness, Main	2413968
6	1	Harness, Extension, Visor Audio	2414799
7	1	Bass Control	2414800
8	10	Cable Ties	7080761
	1	Instructions	9928089

TOOLS REQUIRED

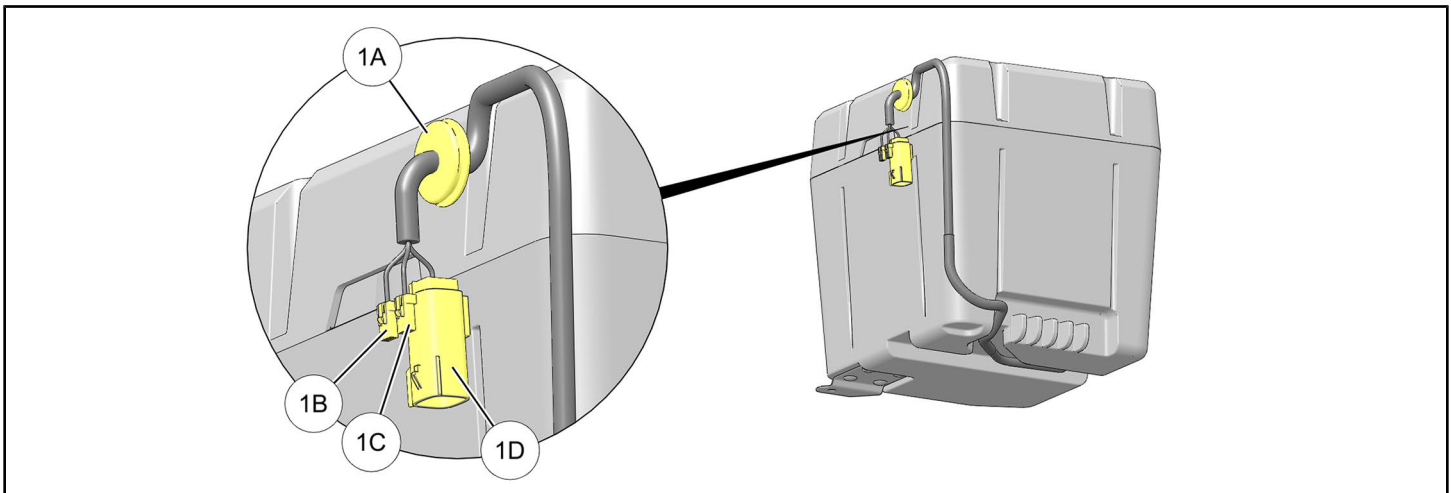
- Safety Glasses
- Cutting Tool
- Drill
- Drill Bit: 1/8 inch (3 mm), 1/4 inch (6 mm)
- Hole Saw: 1.25 inch (32 mm)
- Pliers, Push Pin Rivet
- Pliers, Side Cutting
- Ruler/Tape Measure
- Screwdriver Set, Torx®
- Socket Set, Torx® Bit
- Torque Wrench
- Wrench Set, Metric

IMPORTANT

Your Subwoofer Kit is exclusively designed for your vehicle. Please read the installation instructions thoroughly before beginning. Installation is easier if the vehicle is clean and free of debris. For your safety, and to ensure a satisfactory installation, perform all installation steps correctly in the sequence shown.

HARNESS DETAIL

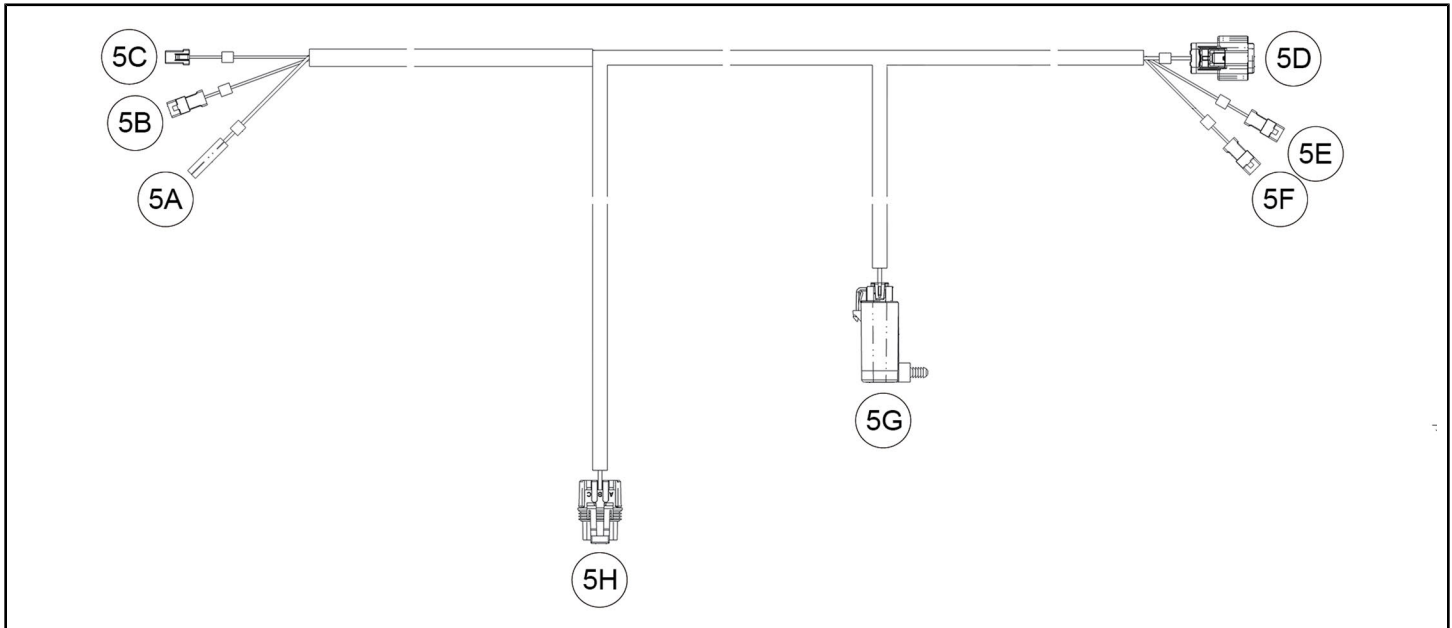
SUBWOOFER ①:



REF	PART DESCRIPTION	WIRE COLOR	PIN QTY/ GENDER	CONNECTS TO
1A	Grommet	-	-	Vehicle structure
1B	Connector, Remote Bass Control (identified as: REMOTE)	-	4 female	Main harness ⑤, connector 5E

REF	PART DESCRIPTION	WIRE COLOR	PIN QTY/ GENDER	CONNECTS TO
1C	Connector, Audio Signal (identified as: SIGNAL)	-	4 female	Main harness ⑤, connector 5F
1D	Connector, Amp Power	-	4 male	Main harness ⑤, connector 5D

MAIN HARNESS ⑤:



REF	PART DESCRIPTION	WIRE COLOR	PIN QTY/ GENDER	CONNECTS TO
5A	Connector, Bullet, Audio Remote (identified as: AMP ON)	Blue	1 female	One of the following: <ul style="list-style-type: none"> RIDE COMMAND® Installation Kit, PN 2882872* Dash Audio Kit, PN 2882750 Visor audio harness ⑥, connector 6A
5B	Connector, Remote Bass Control (identified as: REMOTE BASS)	-	4 male	Bass control ⑦
5C	Connector, Audio Source (identified as: AUDIO SOURCE)	-	4 female	One of the following: <ul style="list-style-type: none"> RIDE COMMAND® Installation Kit, PN 2882872* Dash Audio Kit, PN 2882750 Visor audio harness ⑥, connector 6B
5D	Connector, Amp Power (identified as: AMP POWER)	-	4 female	Subwoofer ①, connector 1D
5E	Connector, Remote Bass Control (identified as: REMOTE BASS)	-	4 male	Subwoofer ①, connector 1B

REF	PART DESCRIPTION	WIRE COLOR	PIN QTY/ GENDER	CONNECTS TO
5F	Connector, Audio Signal (identified as: AMPLIFIER)	-	4 male	Subwoofer ①, connector 1C
5G	Relay/Fuse Block	-	-	Vehicle structure
5H	Connector, Terminal Block	-	3 female	Pulse™ terminal block

* Or factory installed equivalent.

VISOR AUDIO EXTENSION HARNESS ⑥:

NOTE

Extension harness only used with Visor Audio Kit, PN 2882888 (or equivalent visor mounted source unit).



REF	PART DESCRIPTION	WIRE COLOR	PIN QTY/ GENDER	CONNECTS TO
6A	Connector, Bullet, Audio Remote (identified as: AUDIO DASH)	Blue	1 male	Main harness ⑤, connector 5A
6B	Connector, Audio Source (identified as: AUDIO DASH)	-	4 male	Main harness ⑤, connector 5C
6C	Connector, Audio Source (identified as: AUDIO ROOF)	-	4 female	Visor Audio Kit (PN 2882888 or equivalent; sold separately)
6D	Connector, Bullet, Audio Remote (identified as: AUDIO ROOF)	Blue	1 female	

INSTALLATION INSTRUCTIONS

1. Shift vehicle transmission into "PARK". Turn ignition switch to "OFF" position and remove key.
2. Disconnect battery.

⚠ WARNING

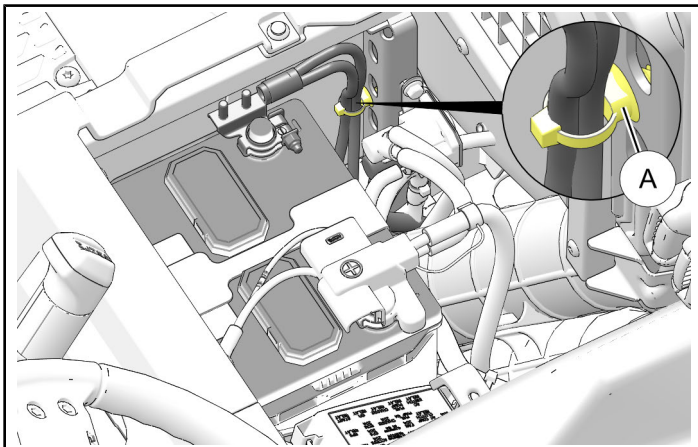
Ensure red positive (+) battery terminal is COMPLETELY COVERED by protective boot. Accidental tool contact across both battery terminals will result in high current electrical arc, and may result in battery explosion. Death or serious personal injury may occur.

CREW VEHICLES: Flip up passenger seat bottom and remove underseat storage compartment. Disconnect black negative (-) cable from battery.

NON-CREW VEHICLES: Flip up right rear passenger seat bottom and remove underseat storage compartment.

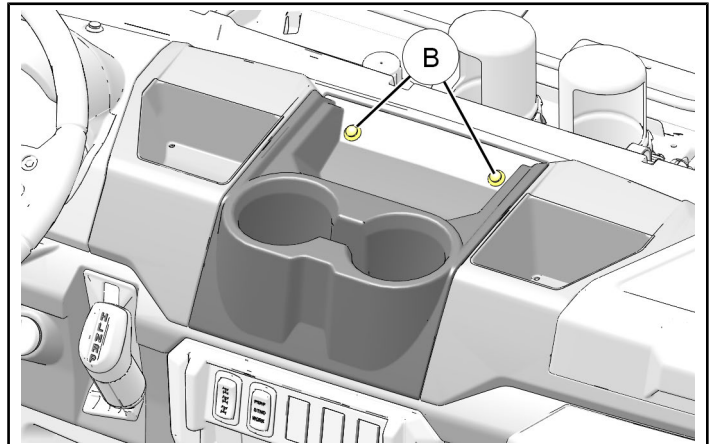
Disconnect black negative (-) cable from battery.

Carefully cut cable tie at routing clip **A** (routing clip can remain installed), then pull cable out of way and temporarily secure to prevent damage when drilling grommet hole in Step 6.



3. Gain access.
 - a. Remove hood.
 - b. If installed, remove or open windshield (as applicable) to gain access to upper dash.

- c. Remove upper dash cupholder by removing two push pin rivets **B**, then slide cupholder rearward. Retain rivets.

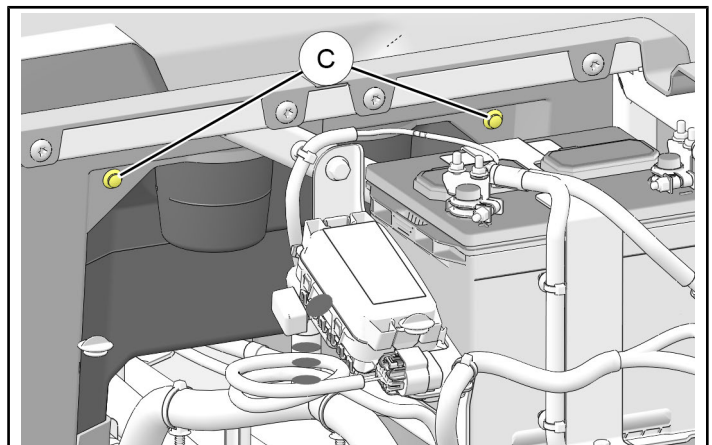
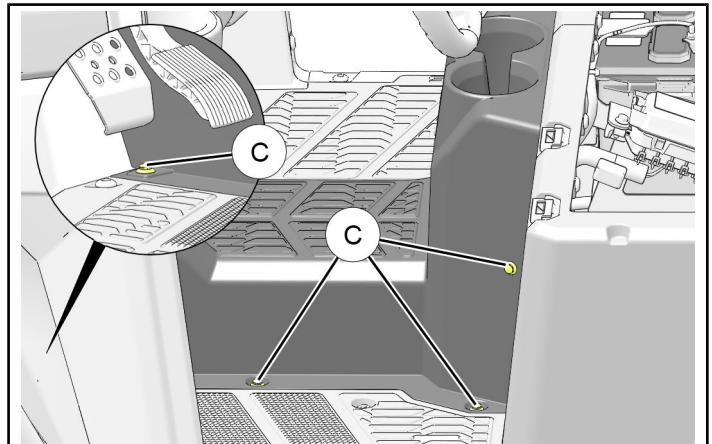


- d. Remove four push pin rivets **C** from each side of center floor console, and two push pin rivets **C** (if installed) from interior of underseat storage compartment. Retain rivets.

Lift back of console, disengage tab at front of console, then remove console from vehicle.

NOTE

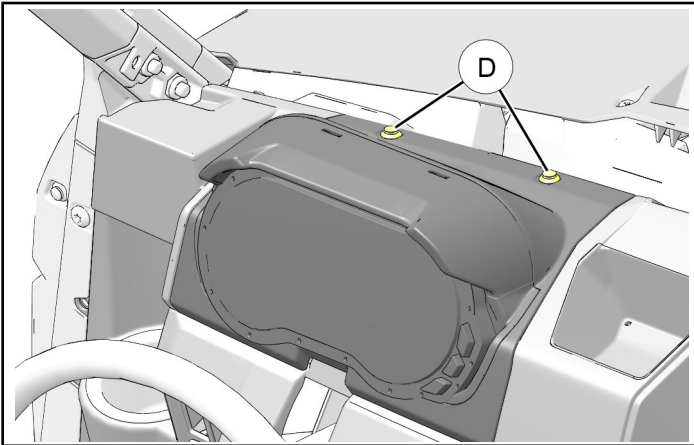
LH side shown; RH side opposite.



4. If connecting subwoofer to DASH mounted audio source unit (sold separately), then proceed to Step 5.

If connecting subwoofer to VISOR mounted audio source unit (sold separately), then perform the following:

- a. Tilt steering wheel to full down position. Detach instrument cluster hood by removing two push pin rivets (D), then slide hood (with instrument cluster) rearward. Disconnect instrument cluster wiring harness. Retain rivets.



- b. Gain access to visor audio signal and audio remote harnesses located between visor audio unit and roof panel.

5. Install floor bracket.

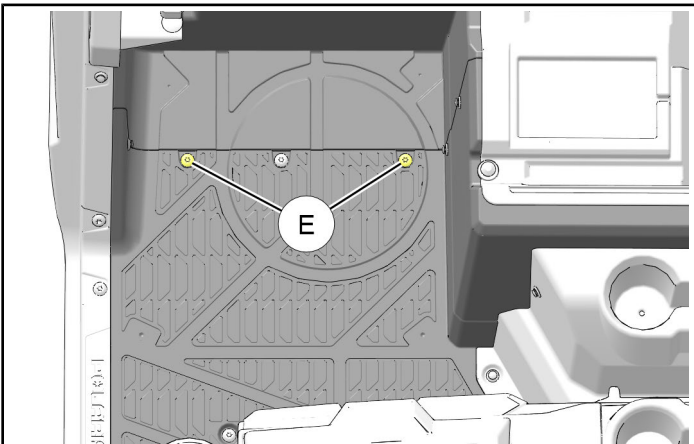
NOTE

Non-crew vehicle installation shown; crew vehicle installation similar (on FRONT floor).

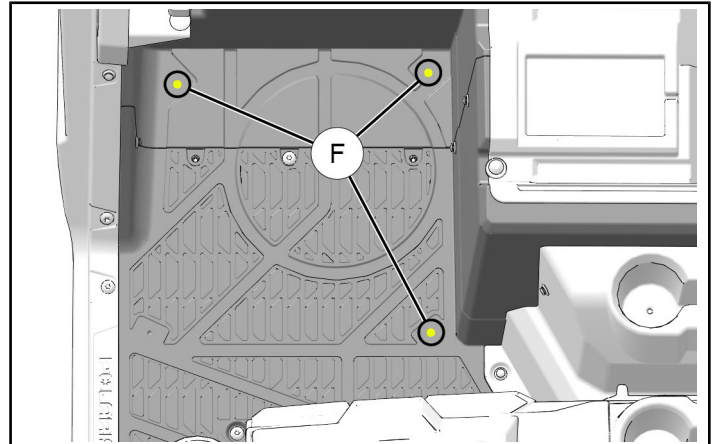
- a. Remove two screws (E). Screws will not be reused.

NOTE

View looking down at front passenger side floor.



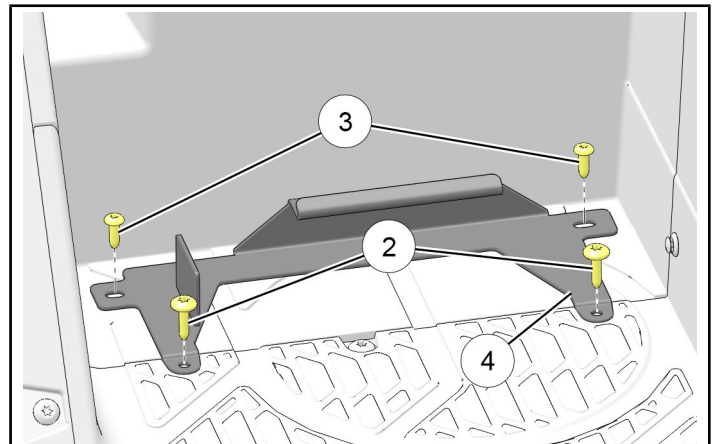
- b. Drill 1/8 inch (3 mm) holes at three indented marks (F). Only drill deep enough to penetrate floor surface and enter pre-drilled bosses on underside of floor panels.



- c. Install bracket (4) to floor using two each screws (2) and (3). Torque to specification.

TORQUE

M6 screws (2): 6 ft. lbs. (8 Nm) ± 10%
 #14 high-low screws (3): 20 in. lbs. (2.3 Nm) ± 10%



CAUTION

Measure carefully before drilling in next step. After drilling pilot hole, but PRIOR to using hole saw, confirm saw will clear battery (non-crew vehicles) and seat structure by looking on INSIDE of plastic panels.

Control drill depth to prevent damage to underlying structure or components.

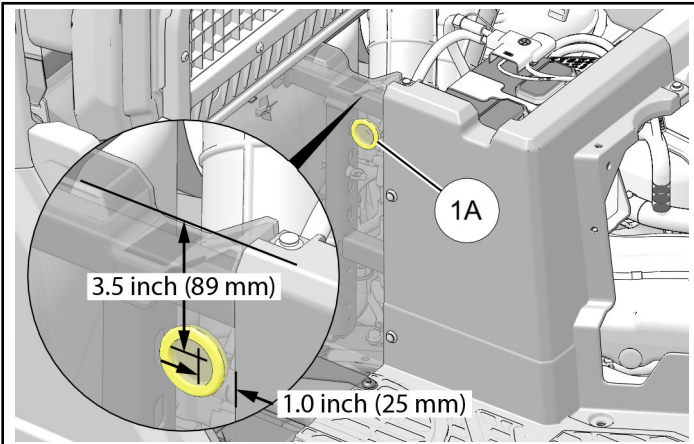
Failure to confirm hole clearance or control drill depth may result in vehicle damage.

6. Use 1.25 inch (32 mm) hole saw to cut hole for grommet 1A on subwoofer ①. Locate hole centerpoint as follows:

- 3.5 inches (89 mm) down from upper edge of plastic panels
- 1.0 inches (25 mm) rearward from seam between plastic panels

NOTE

Rear panel shown partially transparent for clarity. Grommet shown for reference. Non-crew installation shown; crew installation similar (on FRONT floor).



7. Install main harness.

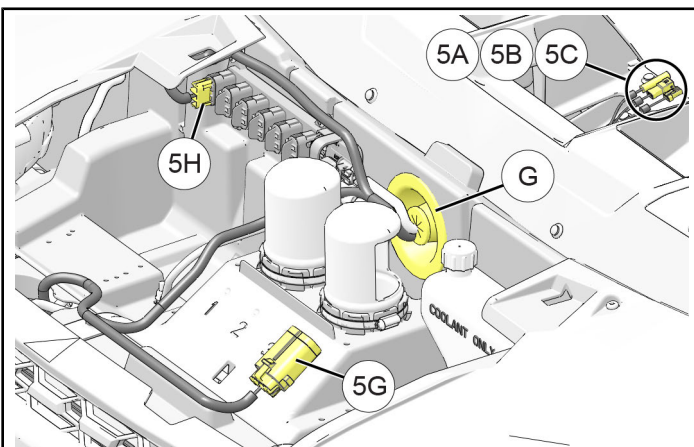
NOTE

See previous section, **HARNES DETAIL**, for connector identification.

- a. Route connectors 5A, 5B, and 5C on main harness ⑤ from under-hood compartment rearward through firewall grommet ⑥ into upper dash compartment.

NOTE

Grommet may be temporarily removed to facilitate harness passage.

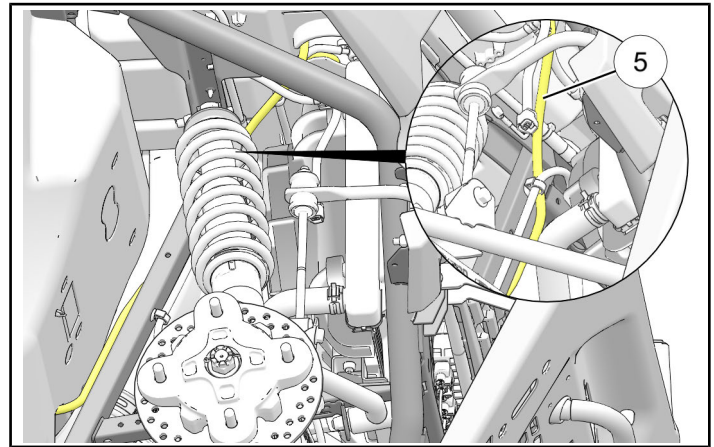


- b. Drill out one accessory plug (1/4 inch / 6 mm) on under-hood liner, just forward of air intake ducts, then install relay/fuse block 5G using attached fir tree clip.

IMPORTANT

Control drill depth to prevent damage to underlying structure or components.

- c. Open power cap on vehicle terminal block at any open location, then plug in connector 5H.
- d. Route remaining connectors 5D, 5E, and 5F on main harness ⑤ down through radiator fill cutout, along chassis structure, then rearward into center console following battery cables (along air intake duct centerline).

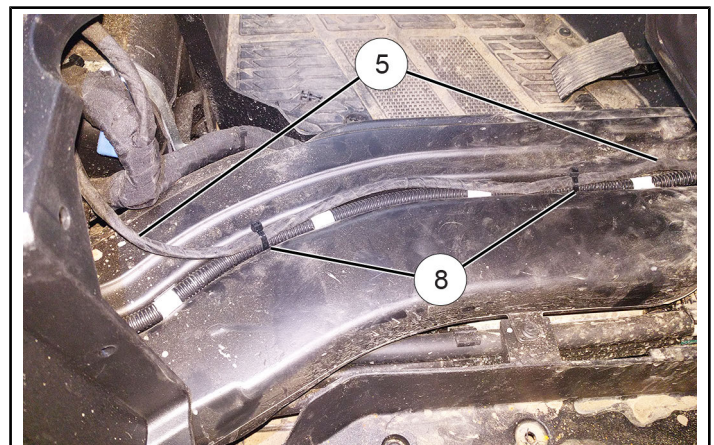


- e. Route main harness ⑤ rearward until intake duct curves beneath battery. Route harness up and rearward along LH (driver) side of fuse box, then towards RH (passenger) side of vehicle along rear of battery.

Ensure routing will prevent harness contact with hot components, sharp edges, or moving parts, but do not secure harness to structure at this time.

NOTE

Non-crew vehicle installation shown; crew vehicle installation similar, but without battery and fuse box.

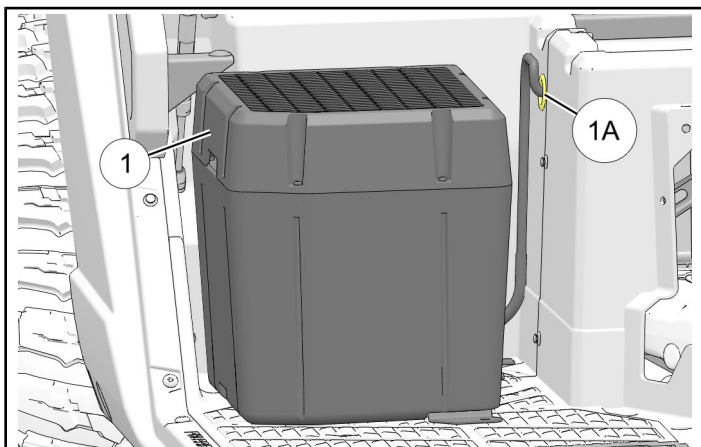


8. Install subwoofer.

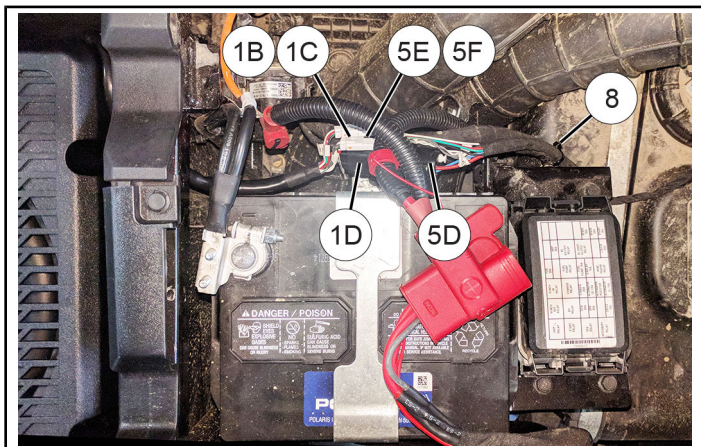
NOTE

See previous section, **HARNESS DETAIL**, for connector identification.

- a. Place subwoofer ① on passenger floor with harness exiting towards LH side of vehicle.



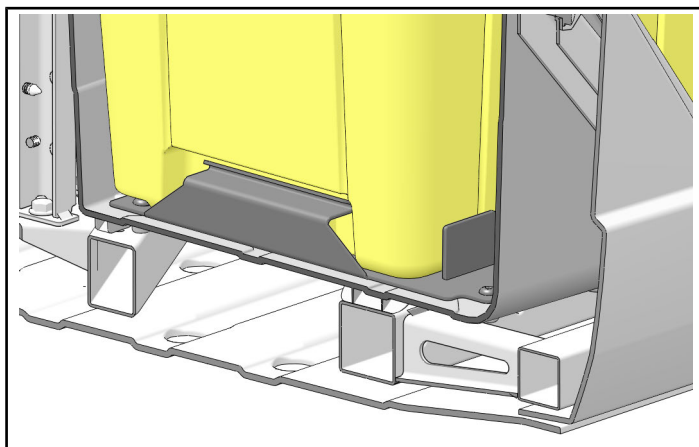
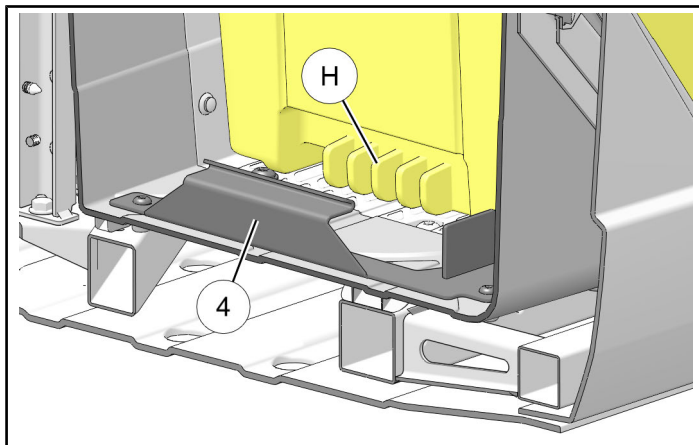
- b. Route connectors 1B, 1C, and 1D on subwoofer ① through newly cut hole into underseat compartment, then install grommet 1A into hole. See Step 6.
- c. Join connectors as follows:
- Connector 1B on subwoofer (identified as: **REMOTE**) to connector 5E on main harness ⑤ (identified as: **REMOTE BASS**)
 - Connector 1C on subwoofer (identified as: **SIGNAL**) to connector 5F on main harness ⑤ (identified as: **AMPLIFIER**)
 - Connector 1D on subwoofer to connector 5D on main harness ⑤ (identified as: **AMP POWER**)



- d. Slide subwoofer ① rearward until locking tabs ⑧ fully engage bracket ④. Ensure subwoofer harness is not pinched.

NOTE

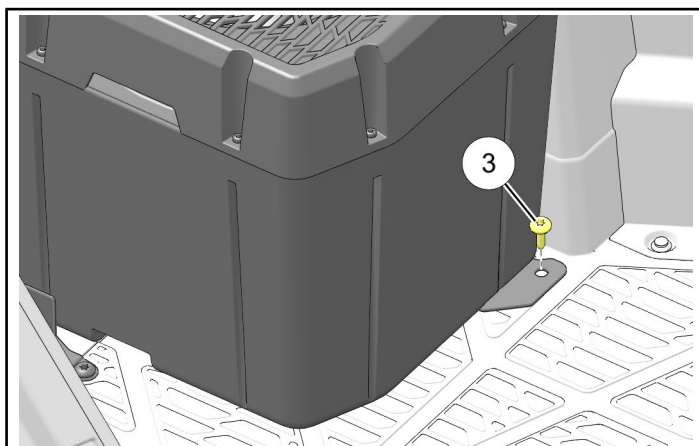
Section view looking forward.



- e. Secure front of subwoofer ① using screw ③ through drilled hole. Torque to specification.

TORQUE

20 in. lbs. (2.3 Nm) ± 10%



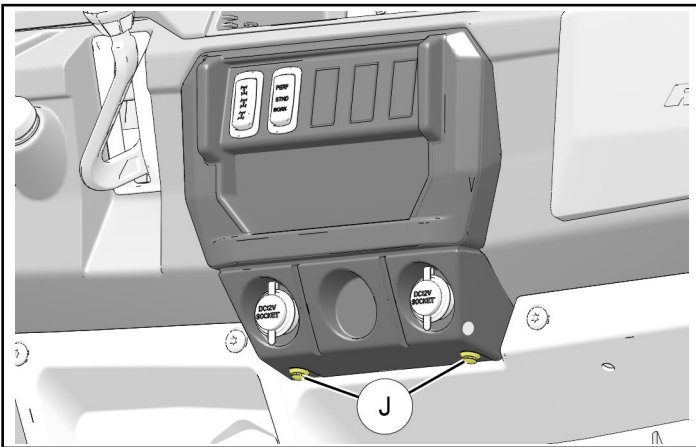
- f. Secure subwoofer harness ① and main harness ⑤ along its ENTIRE length every 12 inches (300 mm) using cable ties ⑧ to prevent contact with hot components, sharp edges, or moving parts (including suspension and steering components throughout their full range of travel).

Coil and secure excess harness length in under-hood compartment and/or upper dash compartment.

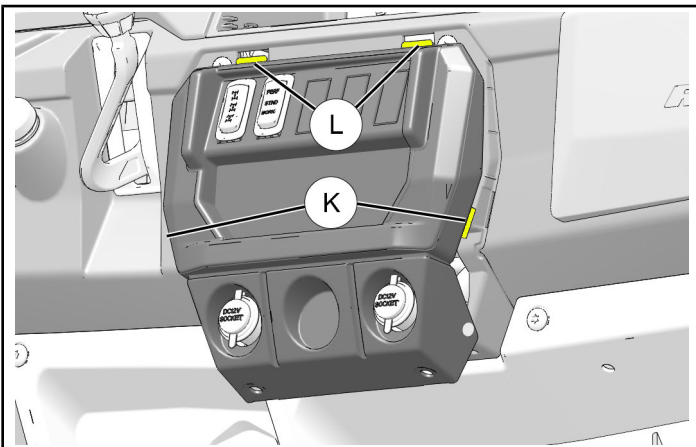
Do NOT reconnect black negative (-) cables to battery at this time.

9. Install bass control.

- a. Remove two push pin rivets ① from lower face of control panel. Retain rivets.



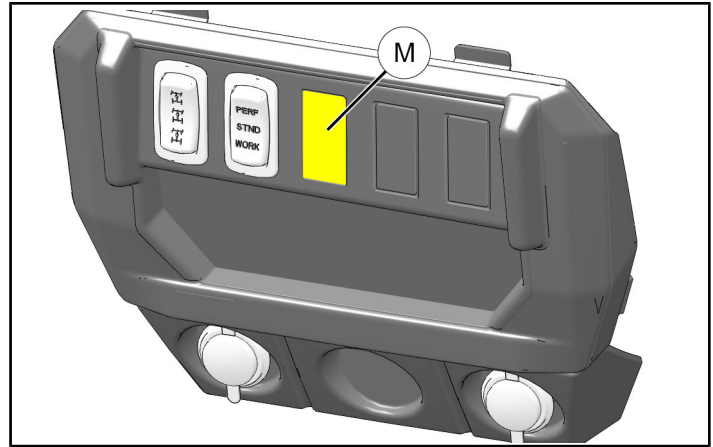
- b. Rotate bottom of control panel rearward, disengaging two side tabs ⑫, then drop two upper tabs ⑬ out of slots in main dash panel.



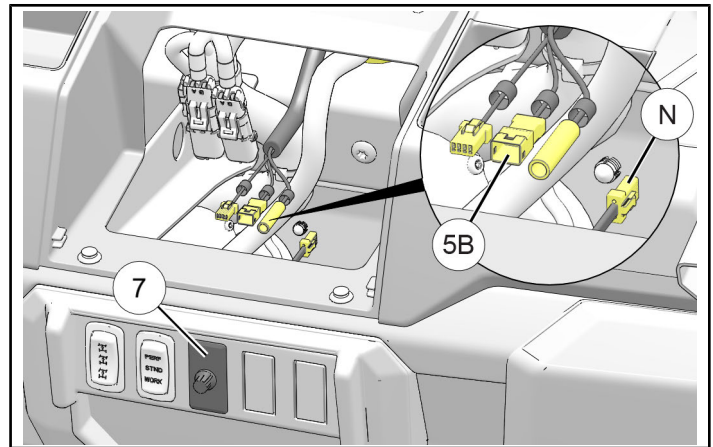
- c. Label and disconnect electrical harnesses from switches, sockets, or other devices from control panel.

- d. Carefully cut one rectangular switch opening ⑭. Debur edges.

NOTE
Any open location may be used.



- e. Install bass control ⑦ in control panel opening.



- f. Reaching through cupholder cutout, join bass control connector ⑮ to connector 5B on harness ⑤ (identified as **REMOTE BASS**).

NOTE
See previous section, **HARNES DETAIL**, for connector identification.

- g. Reconnect electrical harnesses disconnected in Step c. above, then reinstall control panel using two retained rivets ①.

10. Connect main harness ⑤ as follows:

NOTE

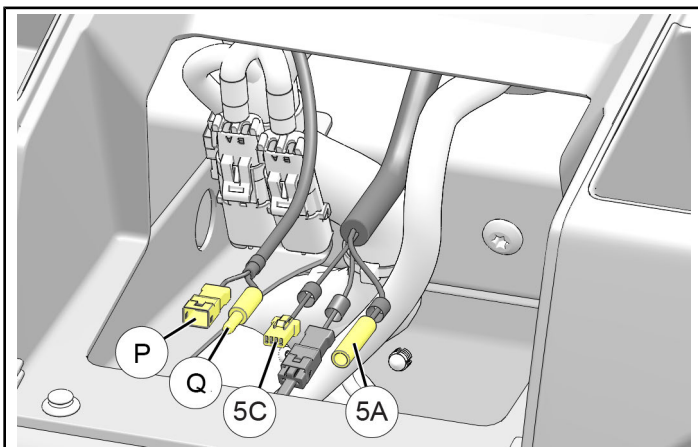
Four different installation configurations are provided to accommodate various audio source systems. Choose the appropriate configuration for your vehicle.

RIDE COMMAND®

NOTE

An audio adapter is required for subwoofer connection to the RIDE COMMAND® system. If your RIDE COMMAND® system was **pre-installed from the factory**, then Audio Adapter Kit PN 2883232 must be purchased. If your RIDE COMMAND® system was **installed using Installation Kit, PN 2882872**, then an audio adapter was included in that kit.

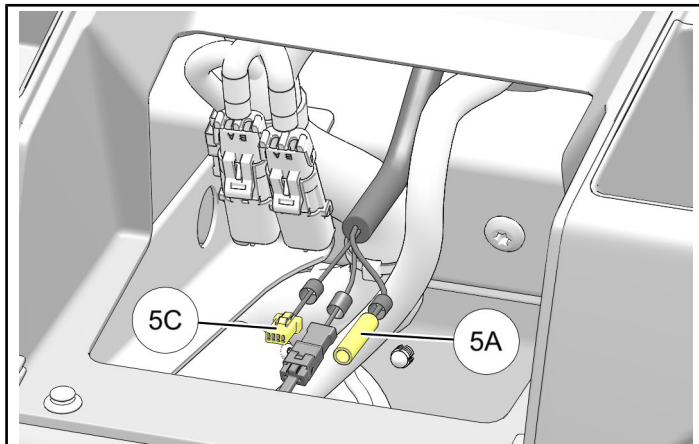
- a. Join **AUDIO SOURCE** connector 5C to mating connector ① on audio adapter.



- b. Join **AMP ON** connector 5A to mating connector ② on audio adapter.
- c. Join connector (not shown) on opposite end of audio adapter to **SUBWOOFER** connector on RIDE COMMAND® display harness.
- d. Proceed to Step 11.

DASH AUDIO SOURCE UNIT: WITH DASH AMP KIT (PN 2883408 or equivalent; sold separately)

- a. Join subwoofer **AUDIO SOURCE** connector 5C to dash audio **REAR OUT** connector.



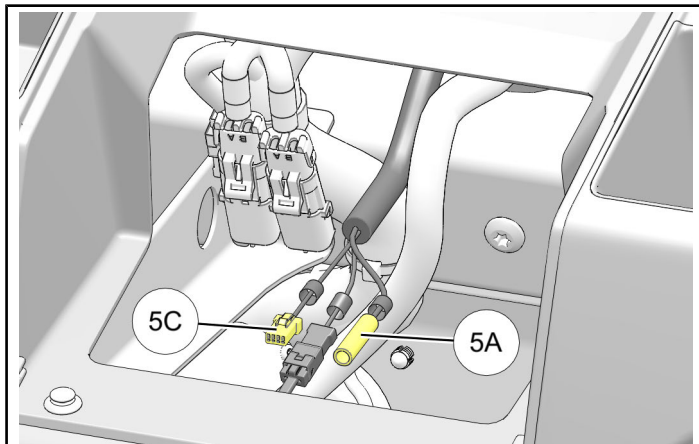
- b. Join subwoofer **AMP ON** connector 5A, dash amp **AUDIO SOURCE** (remote) connector, and dash audio **REMOTE ON** connector using remote splitter harness (included with Dash Amp Kit; see Dash Amp Kit instructions for detail).
- c. Proceed to Step 11.

NOTE

Visor audio extension harness ⑥ is not used.

DASH AUDIO SOURCE UNIT: WITHOUT DASH AMP KIT

- a. Join subwoofer **AUDIO SOURCE** connector 5C to dash audio **REAR OUT** connector



- b. Join subwoofer **AMP ON** connector 5A to dash audio **REMOTE ON** connector
- c. Proceed to Step 11.

NOTE

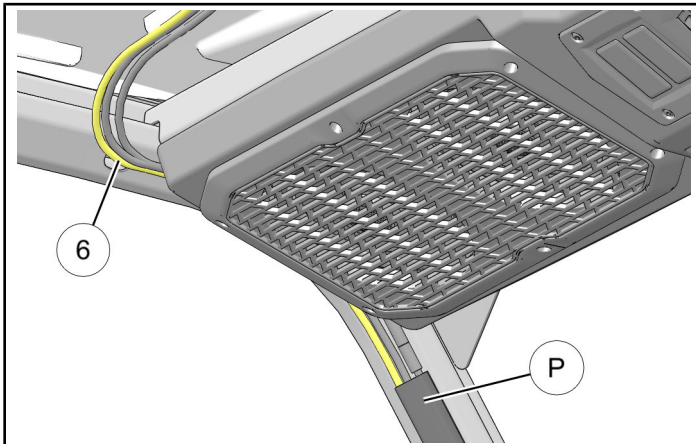
Visor audio extension harness ⑥ is not used.

VISOR AUDIO SOURCE UNIT

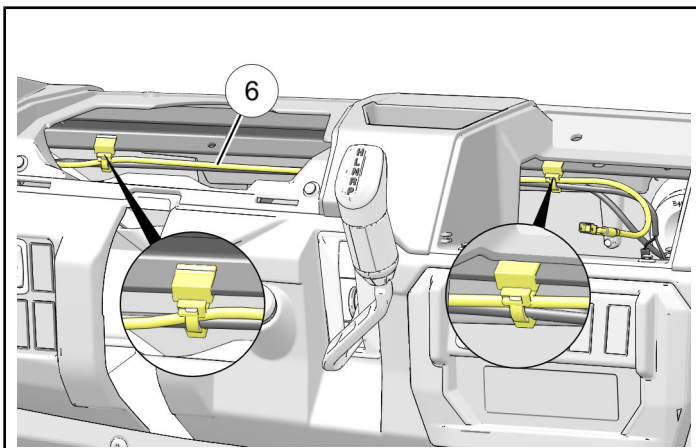
- Join audio source connector 6C and audio remote connector 6D on extension harness ⑥ to corresponding connectors on audio source unit.
- Route opposite end of extension harness ⑥ outboard to top of driver side A-pillar, then down through conduit ①.

NOTE

Extension harness will follow path of existing visor audio antenna signal and auxiliary input harnesses.

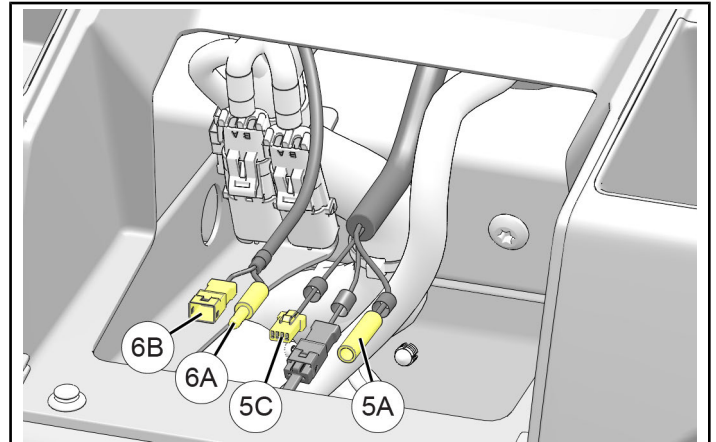


- After harness exits lower end of conduit, route connectors 6A and 6B down through opening between base of A-pillar and upper dash panel, then inboard along dash support bracket towards cupholder opening.



- Join connectors as follows:

- Connector 6A on extension harness ⑥ (identified as: **AUDIO DASH**) to connector 5A on main harness ⑤ (identified as: **AMP ON**)
- Connector 6B on extension harness ⑥ (identified as: **AUDIO DASH**) to connector 5C on main harness ⑤ (identified as: **AUDIO SOURCE**)

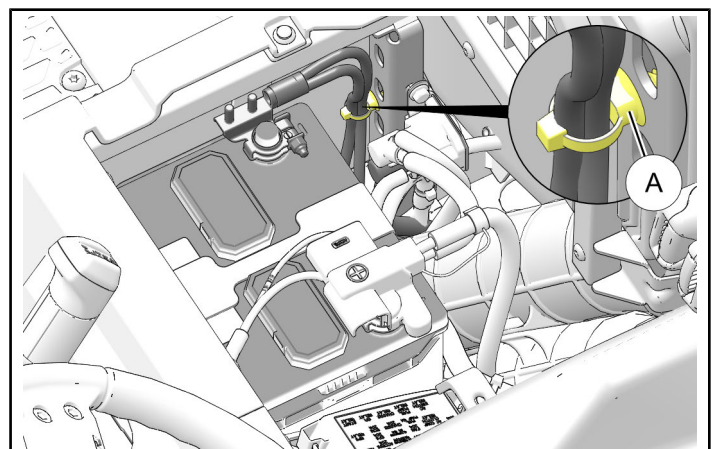


- Secure extension harness ⑥ along its entire length using cable ties ⑧ to prevent contact with hot components, sharp edges, or moving parts. Coil and secure excess harness length in upper dash compartment.
- Proceed to Step 11.

11. Reconnect battery.

CREW VEHICLES: Reconnect black negative (-) cable to battery, then reinstall under-seat storage compartment.

NON-CREW VEHICLES: Reconnect black negative (-) cable to battery. Secure battery cable to structure using cable tie ⑧ at routing clip ①. Reinstall under-seat storage compartment.



12. Restore access (see Steps 3–4, as applicable).

FEEDBACK FORM

A feedback form has been created for the installer to provide any comments, questions or concerns about the installation instructions. The form is viewable on mobile devices by scanning the QR code or by clicking [HERE](#) if viewing on a PC.

