

REAR HD BUMPER KIT



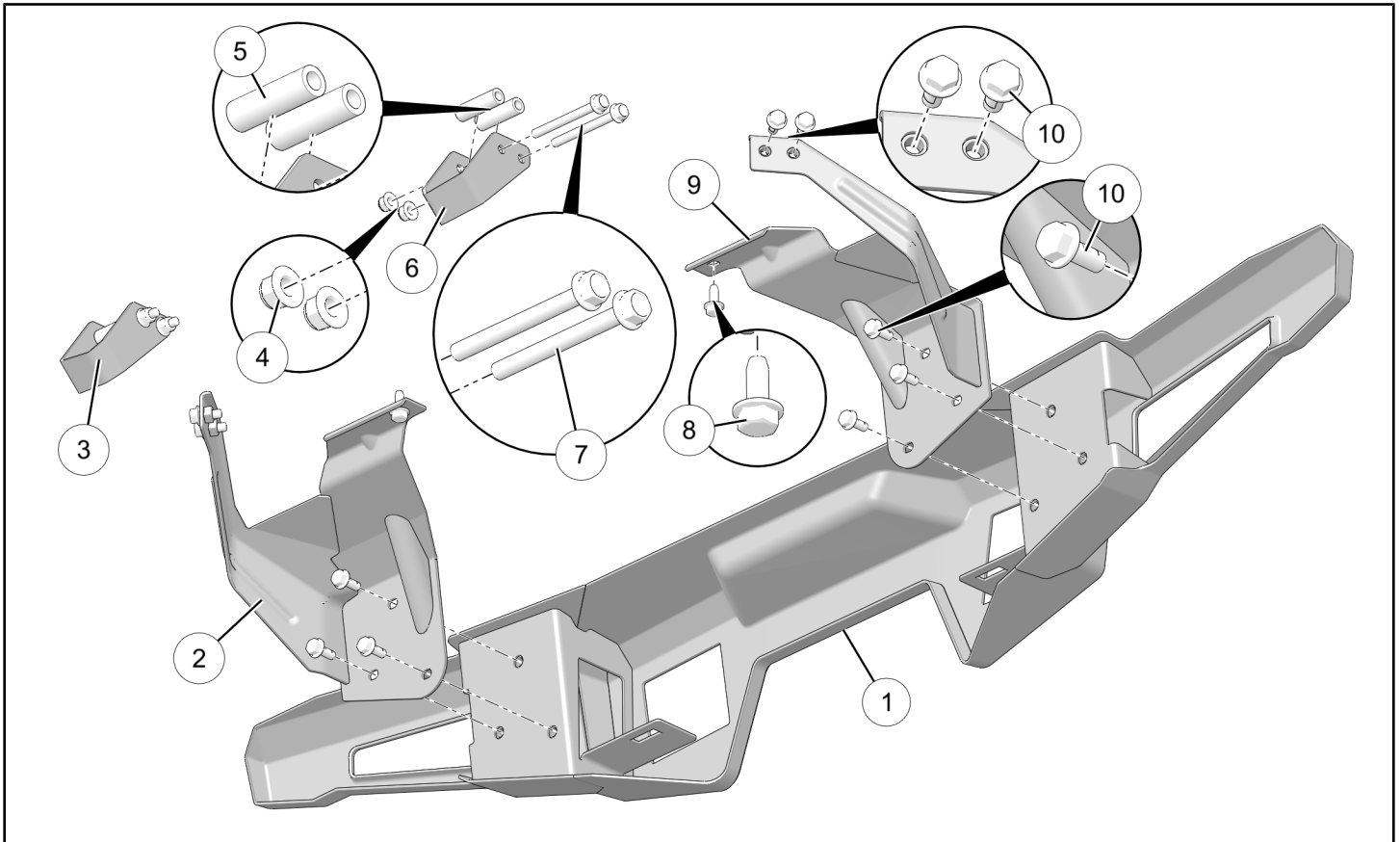
P/N 2884217

BEFORE YOU BEGIN

Read these instructions and check to be sure all parts and tools are accounted for. Please retain these installation instructions for future reference and parts ordering information.

KIT CONTENTS

This Kit includes:



REF	QTY	PART DESCRIPTION	PART NUMBER
1	1	Bumper, Rear HD	-
2	1	Mount, Bumper, RH	-
3	1	Bracket, Limiter, RH	5268430
4	4	Nut, Hex Flange, Locking - M8 X 1.25, 8	7547332
5	4	Spacer - 15 X 9 X 48	-
6	1	Bracket, Limiter, LH	5268429
7	4	Screw, Hex Flange - M8 X 1.25 X 80, 8.8	7519217
8	2	Screw, Hex Washer Head, Self-Tapping - M8 X 1.25 X 20	7519780
9	1	Mount, Bumper, LH	-
10	10	Screw, Hex Flange, with Locking Patch - M8 X 1.25 X 20, 8.8	7518450

TOOLS REQUIRED

- Safety Glasses
- Socket Set, Metric
- Torque Wrench
- Wrench Set, Metric

IMPORTANT

Your Rear HD Bumper Kit is exclusively designed for your vehicle. Please read the installation instructions thoroughly before beginning. Installation is easier if the vehicle is clean and free of debris. For your safety, and to ensure a satisfactory installation, perform all installation steps correctly in the sequence shown.

INSTALLATION INSTRUCTIONS

1. Shift vehicle transmission into "PARK". Turn ignition switch to "OFF" position and remove key.
2. If installing bumper to either of the following vehicles then proceed to Step 3. Limiter bracket installation is not required.
 - **RANGER NorthStar Edition** (with cab heating and air conditioning)
 - **Any RANGER** with Cargo Box Lift, PN 2884141

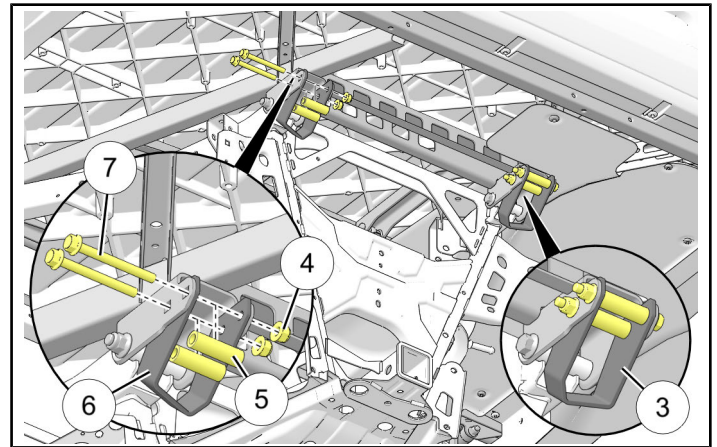
Otherwise, install limiter brackets as follows:

- a. Identify LH limiter bracket ⑥. Observe differences from RH limiter bracket ③.

- b. Install LH limiter bracket ⑥ to bed frame using two each screws ⑦, spacers ⑤, and nuts ④.

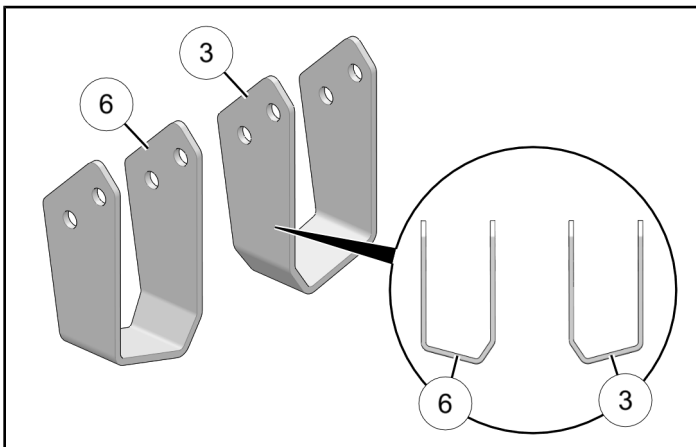
Ensure the following:

- Limiter bracket is nested **INSIDE** bed frame U-channel
 - Screws are inserted from **OUTBOARD** side
- Repeat for RH side using RH limiter bracket ③.



NOTE

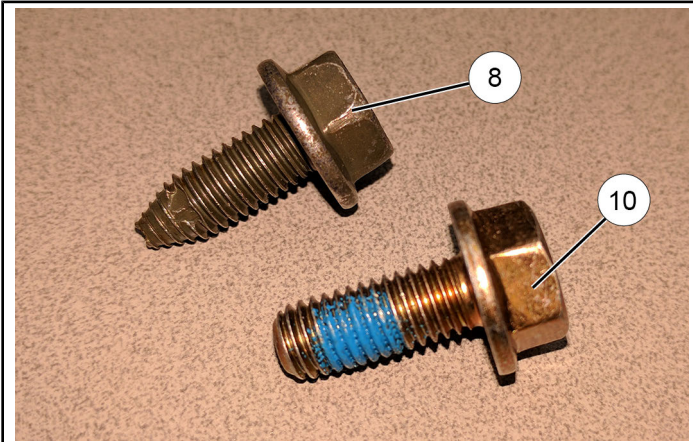
Main view and circle inset view looking FORWARD.



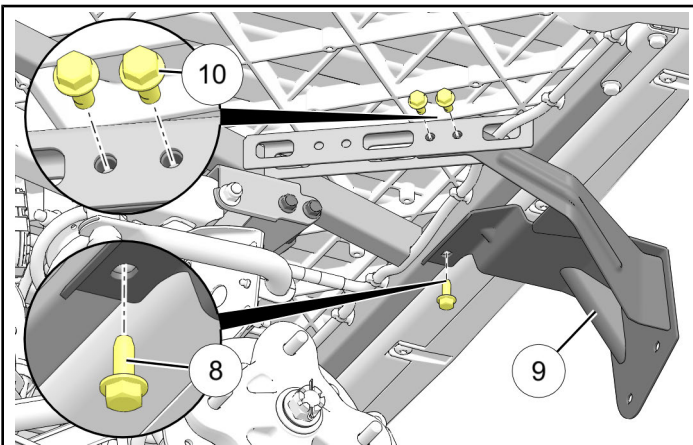
3. Screws ⑧ and ⑩ have the same dimensions. Differentiate them as follows:
- Screw ⑧ has a tapered and notched tip, no blue locking patch
 - Screw ⑩ has a blunt tip and blue locking patch

NOTE

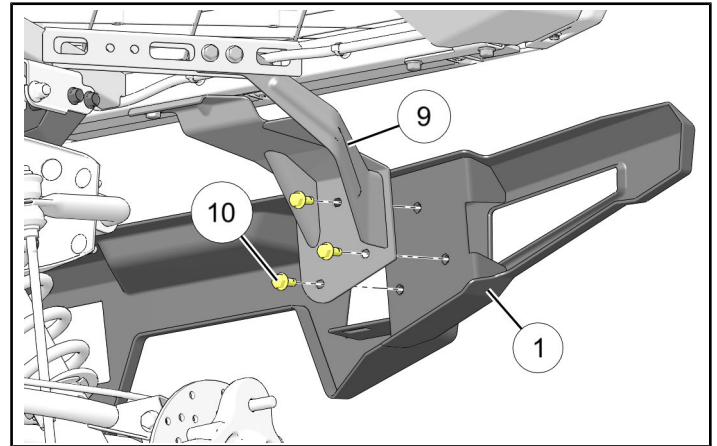
Finish color may differ from that shown.



4. Loosely install LH bumper mount ⑨ to bed frame using two screws ⑩ and one screw ⑧.
Repeat for RH side using RH bumper mount ②.



5. Install bumper ① to LH bumper mount ⑨ and RH bumper mount ② (not shown) using three screws ⑩ on each side.



6. Torque all M8 screws ⑦⑧⑩ to specification.

TORQUE

10 ft. lbs. (14 Nm) ± 10%

FEEDBACK FORM

A feedback form has been created for the installer to provide any comments, questions or concerns about the installation instructions. The form is viewable on mobile devices by scanning the QR code or by clicking [HERE](#) if viewing on a PC.

