

CREW HEATER ADAPTER KIT



P/N 2884163

APPLICATION

Verify accessory fitment at Polaris.com.

BEFORE YOU BEGIN

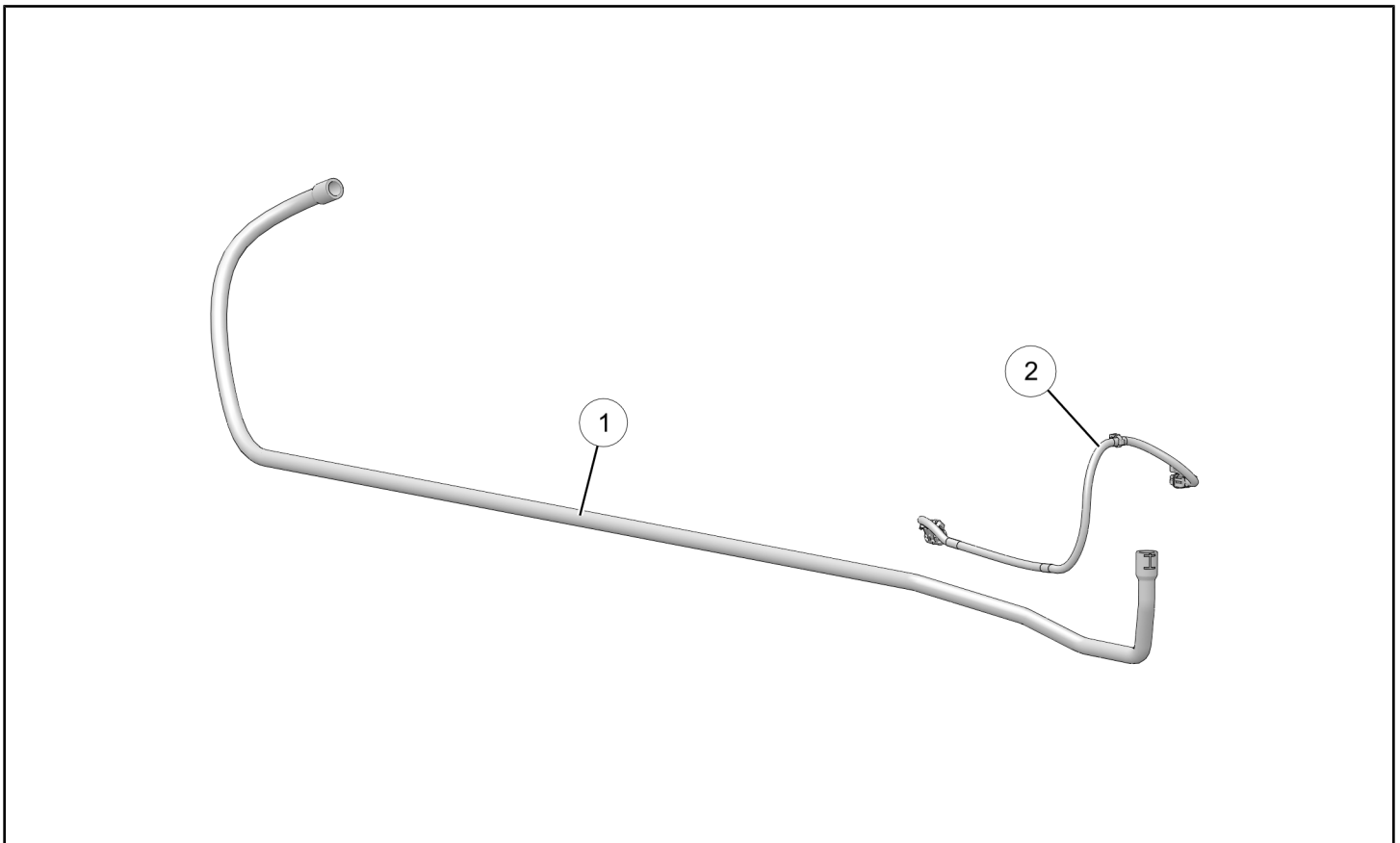
Read these instructions and check to be sure all parts and tools are accounted for. Please retain these installation instructions for future reference and parts ordering information.

KIT CONTENTS

This kit only contains the additional parts required for installation of Heater Kit, PN 2884066, in specific *RANGER CREW*® vehicles. See the previous section, **APPLICATION**.

Installation of Heater Kit, PN 2884066 or equivalent, is also required (sold separately).

This Kit includes:



REF	QTY	PART DESCRIPTION	PART NUMBER
1	1	Hose, 3-Way Valve Outlet to Heater Core Inlet, Crew	5417053
2	1	Harness, Extension, Crew	2414961
3	6	Cable Tie (not shown)	7080492
	1	Instructions	9929604

TOOLS REQUIRED

No additional tools required beyond those specified in Heater Kit PN 2884066.

CONSUMABLES REQUIRED

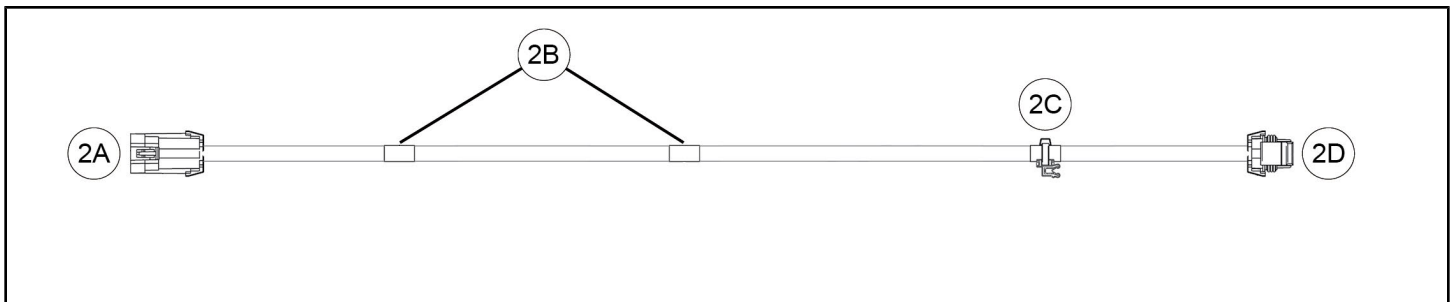
No additional consumables required beyond those specified in Heater Kit PN 2884066.

IMPORTANT

Your Crew Heater Adapter Kit is exclusively designed for your vehicle. Please read the installation instructions thoroughly before beginning. Installation is easier if the vehicle is clean and free of debris. For your safety, and to ensure a satisfactory installation, perform all installation steps correctly in the sequence shown.

HARNESS DETAIL

EXTENSION HARNESS ②:



REF	PART DESCRIPTION	WIRE COLOR	PIN QTY/ GENDER	CONNECTS TO
2A	Connector, Harness	-	6 male	Heater harness (in Heater Kit PN 2884066)
2B	Tape, White (2 places)	-	-	Nothing; identifies locations where harness is secured using cable ties ③
2C	Clip, Edge	-	-	Vehicle structure
2D	Connector, 3-Way Valve	-	6 female	Heater valve assembly (in Heater Kit PN 2884066)

INSTALLATION INSTRUCTIONS

IMPORTANT

Heater kit installation in a CREW vehicle is virtually identical to installation in a NON-CREW vehicle. Differences exist in only three sections:

- **Prepare Vehicle for Installation**
- **Install Harness**
- **Install Cooling System Components**

Polaris recommends performing each section, in order, as shown in the NON-CREW instructions (Kit PN 2884066). However, before starting each section, review these CREW instructions to determine if any existing steps have been revised or new steps added.

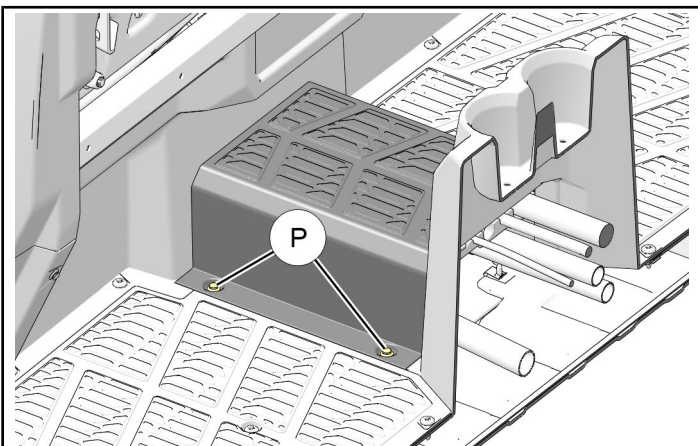
For convenience, section titles and step numbering in these CREW instructions correspond to the same section titles and step numbering in the NON-CREW instructions.

PREPARE VEHICLE FOR INSTALLATION

⚠ WARNING

Ensure red positive (+) battery terminal is COMPLETELY COVERED by protective boot. Accidental tool contact across both battery terminals will result in high current electrical arc, and may result in battery explosion. Death or serious personal injury may occur.

2. **REVISED STEP:** Flip up right rear passenger seat bottom and remove underseat storage compartment. Disconnect black negative (-) cable from battery.
12. **ADDED STEP:** Remove two push pin rivets **P** from each side of rear center floor console. Remove floor console and set aside. Retain rivets.



INSTALL HARNESS

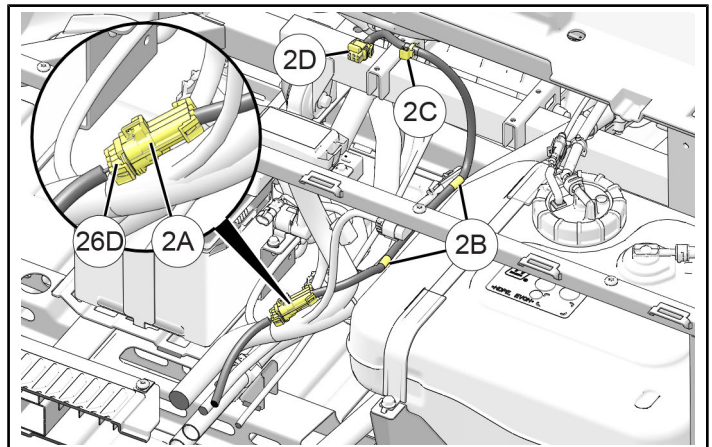
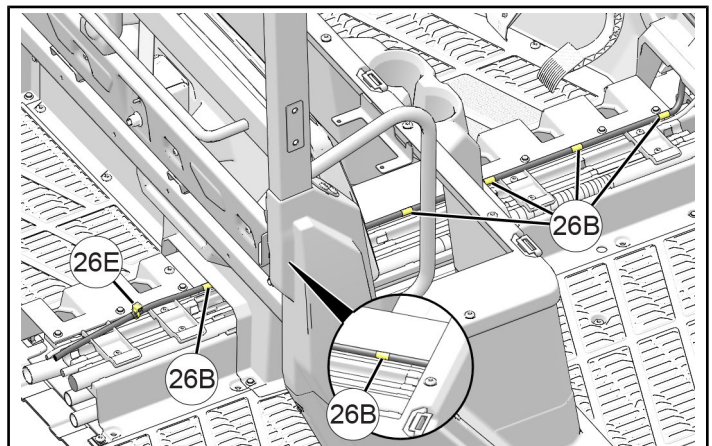
NOTE

See previous section, **HARNESS DETAIL**, for connector identification.

8. **REVISED STEP:** Continue routing connector 26D rearward through center console. Ensure harness is routed to prevent contact with hot components, sharp edges, or moving parts, but do not secure harness at this time.

NOTE

Observe six white tape locations 26B, two white tape locations 2B, and edge clips 2C and 26E. These will be used to secure harness in a later step.



9. **ADDED STEP:** Join 3-way valve connector 26D on heater harness **26** (included in Heater Kit PN 2884066) to connector 2A on extension harness **2** (included in this CREW Heater Adapter Kit PN 2884163).

NOTE

Connector 2D will be joined to 3-way valve assembly **23** in a later step.

INSTALL COOLING SYSTEM COMPONENTS

⚠ WARNING

Ensure red positive (+) battery terminal is **COMPLETELY COVERED** by protective boot. Accidental tool contact across both battery terminals will result in high current electrical arc, and may result in battery explosion. Death or serious personal injury may occur.

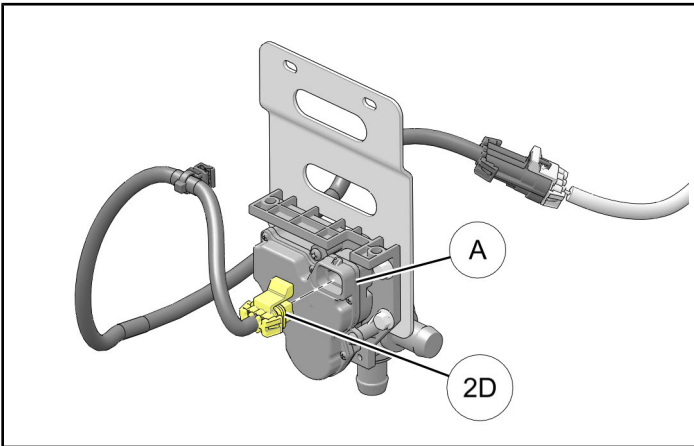
⚠ WARNING

Always wear safety goggles and proper shop clothing when performing this procedure. Failure to do so may result in severe injury or death.

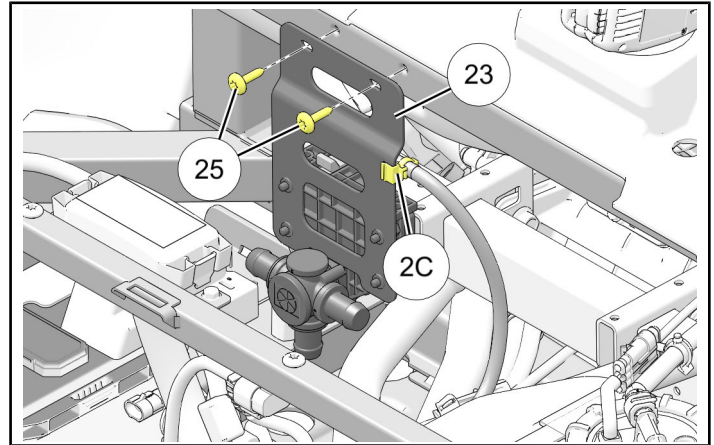
⚠ WARNING

Ensure engine is **COOL** before performing the following steps. Hot cooling system will be pressurized, and opening system may result in uncontrolled release of hot coolant, resulting in severe burns or other injuries.

1. **REVISED STEP:** Install 3-way valve assembly.
 - a. Join valve connector 2D on extension harness ② to 3-way valve ①.



- b. Install valve assembly ② to seat support structure using two screws ⑤. Tighten screws.



- c. Secure extension harness ② to valve assembly ② using edge clip 2C.
 - d. Secure heater harnesses to main chassis harness using cable ties ⑳ as follows. See previous section, **INSTALL HARNESS**, Step 8.
 - Heater harness ②⑥ at six white tape locations 26B
 - Heater extension harness ② at two white tape locations 2B

Carefully examine all harness routing. Ensure harnesses are routed and secured to prevent contact with hot components, sharp edges, or moving parts. Use additional cable ties ⑳ and ③ as required.

NOTE

Edge clip 26E can be relocated as needed for use in crew vehicles.

3. **REVISED STEP:** Install **HOT SUPPLY** heater hose between heater core inlet and 3-way valve.
 - a. **CREW** hose ①, routed between 3-way valve outlet and heater core inlet, is formed to fit vehicle.

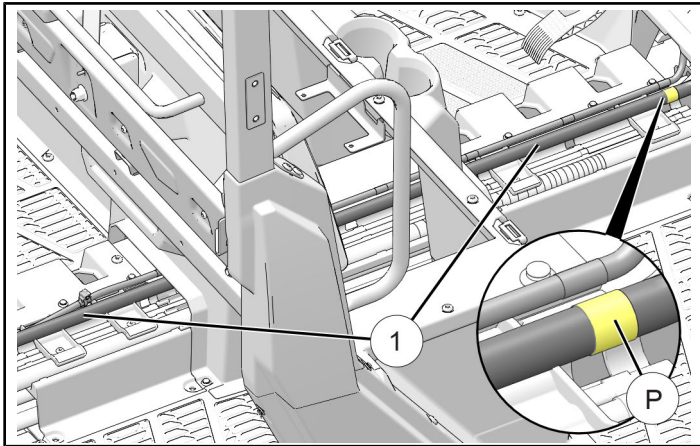
Hose orientation is as follows:

- **3-way valve outlet:** Hose end **WITH “ENG”** (towards engine) marking
- **Heater core inlet:** Hose end **WITHOUT** marking

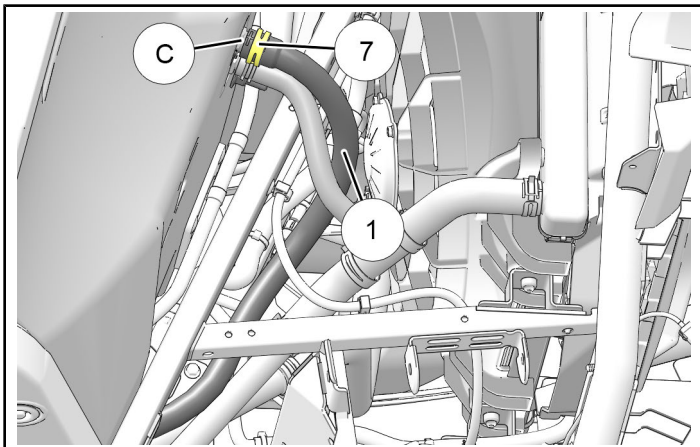
IMPORTANT

NON-CREW hose ⑥, provided in NON-CREW kit PN 2884066, is not used for CREW vehicle. All other parts included in NON-CREW kit are also used for CREW vehicle.

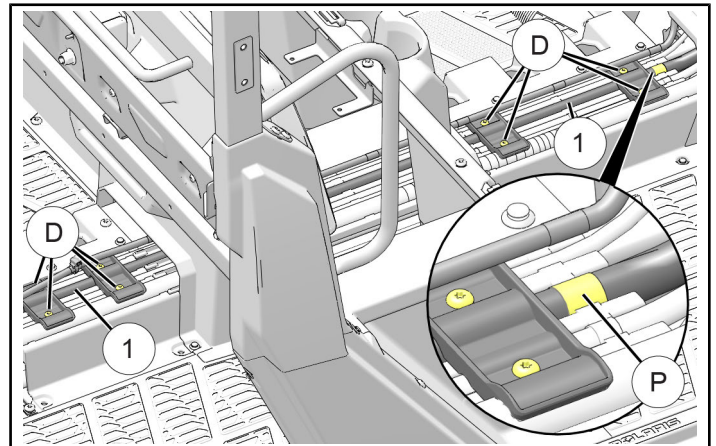
- b. Route end of crew hose ① WITHOUT marking forward through center console opening, then up to heater core inlet. Ensure the following:
- White tape ① is located in approximate position shown (final adjustment will be made later)
 - Hose cannot chafe against vehicle components or contact moving parts, taking into consideration suspension travel and steering operation
 - Hose is not kinked at any point along its length



- c. Install end of crew hose ① to 3/4 inch inlet hose fitting ③ using clamp ⑦ positioned in center of "H" marking. Ensure clamp orientation will not chafe against vehicle components.



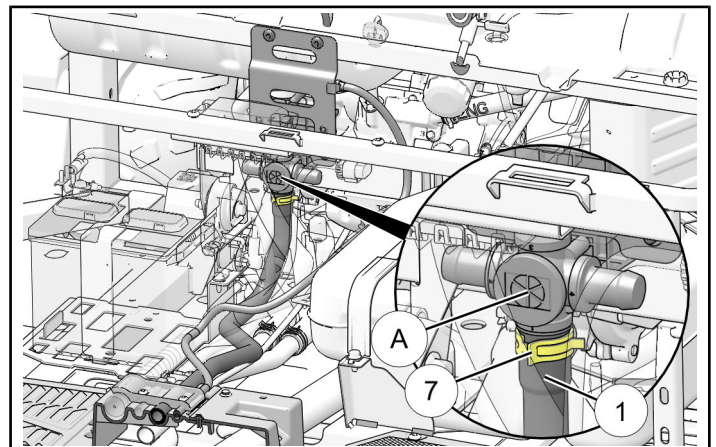
- d. Temporarily remove eight screws ④ from clamps. Insert hose ① into empty channel with white tape ① located as shown, then loosely reinstall clamps and screws.



- e. Route hose ① rearward to 3-way valve ①, then join to **BOTTOM** fitting of valve using clamp ⑦ positioned in center of "H" marking.

Ensure the following:

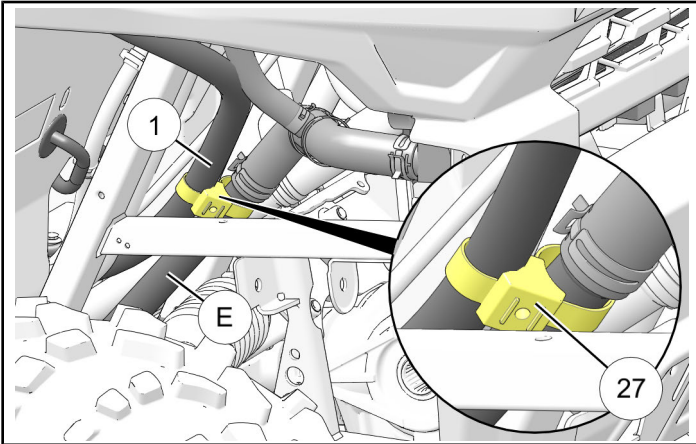
- Hose and clamp cannot chafe against vehicle components or contact moving parts
- Hose is not kinked at any point along its length



- f. Install double-cable tie ⑳ between hose ① and rigid cold line ㉔.

NOTE

Fastener hole in center of double-cable tie is not used.
Front suspension and driveline components hidden for clarity.



- g. Tighten eight screws ㉑ for center console clamps. See previous Step d.

FEEDBACK FORM

A feedback form has been created for the installer to provide any comments, questions or concerns about the installation instructions. The form is viewable on mobile devices by scanning the QR code or by clicking [HERE](#) if viewing on a PC.

