

IN-CAB GUN MOUNT SERVICE KIT



P/N 2208023

APPLICATION

Verify accessory fitment at Polaris.com.

IMPORTANT

This service kit is **ONLY** required when installing the In-Cab Gun Mount Kit (PN 2883263) in a **RANGER CREW® XP 1000 NORTHSTAR** vehicle.
This service kit is **NOT** required for **RANGER CREW® XP 1000** or **RANGER XP® 1000 NORTHSTAR** vehicles.

BEFORE YOU BEGIN

Read these instructions and check to be sure all parts and tools are accounted for. Please retain these installation instructions for future reference and parts ordering information.

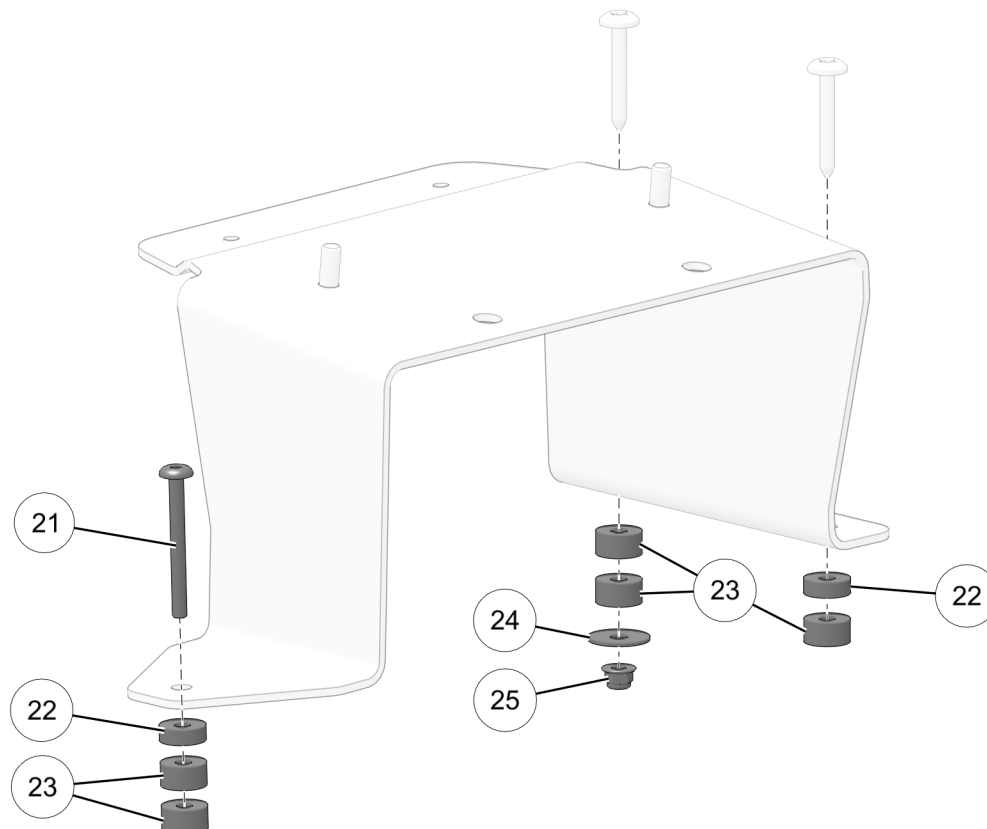
KIT CONTENTS

This service kit is used in conjunction with In-Cab Gun Mount Kit (PN 2883263, sold separately). It contains **ONLY** those additional parts needed to install gun mount in a **RANGER CREW® XP 1000 NORTHSTAR** vehicle.

This Kit includes **NUMBERED** items shown below:

NOTE

Floor bracket and two unidentified screws are included with the In-Cab Gun Mount Kit and are shown below for reference only.
Item numbers starts at ②① to sequentially follow item numbers used in the In-Cab Gun Mount instructions (PN 9928524).



REF	QTY	PART DESCRIPTION	PART NUMBER
21	1	Screw, Torx® Truss Head - M6 X 1.0 X 60	7518882
22	2	Spacer, Nylon - 0.28 ID X 0.75 OD X 0.25 thick	7555932
23	5	Spacer, Nylon - 0.26 ID X 0.75 OD X 0.38 thick	7556091
24	1	Washer - 0.281 X 1.00 X 0.051	7556329
25	1	Nut, Hex Flange, Locking - M6 X 1.0	7547453
	1	Instructions	9929603

TOOLS REQUIRED

No additional tools are required beyond those identified in the In-Cab Gun Mount instructions (PN 9928524).

IMPORTANT

Your In-Cab Gun Mount Service Kit is exclusively designed for your vehicle. Please read the installation instructions thoroughly before beginning. Installation is easier if the vehicle is clean and free of debris. For your safety, and to ensure a satisfactory installation, perform all installation steps correctly in the sequence shown.

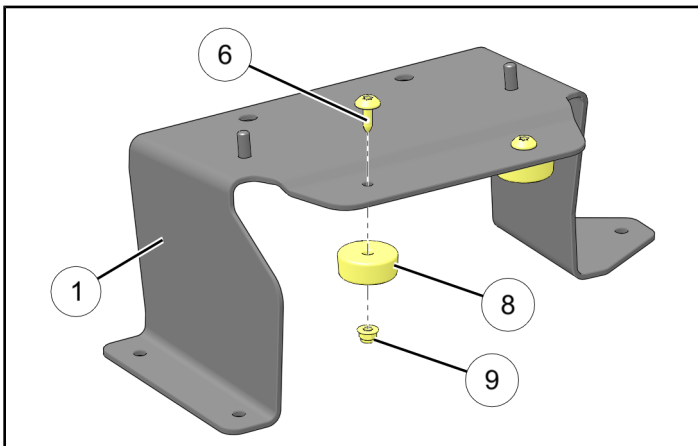
INSTALLATION INSTRUCTIONS

NOTE

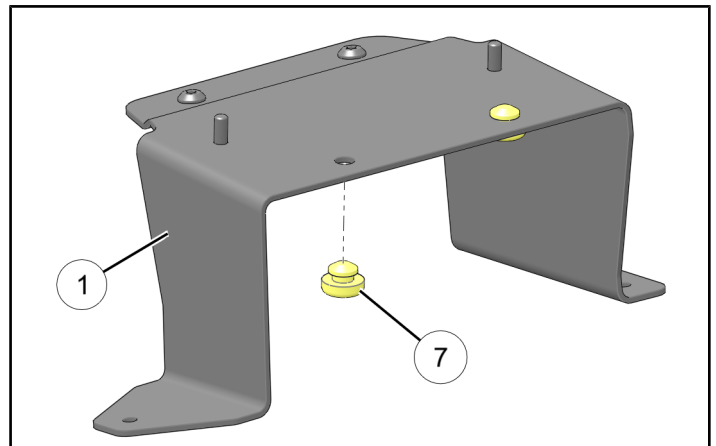
The following procedure REPLACES the entire section entitled **ASSEMBLE AND INSTALL FLOOR BRACKET** located in the In-Cab Gun Mount instructions (PN 9928524).

Item numbers ①, and ⑥ through ⑩, are identified in the In-Cab Gun Mount instructions.

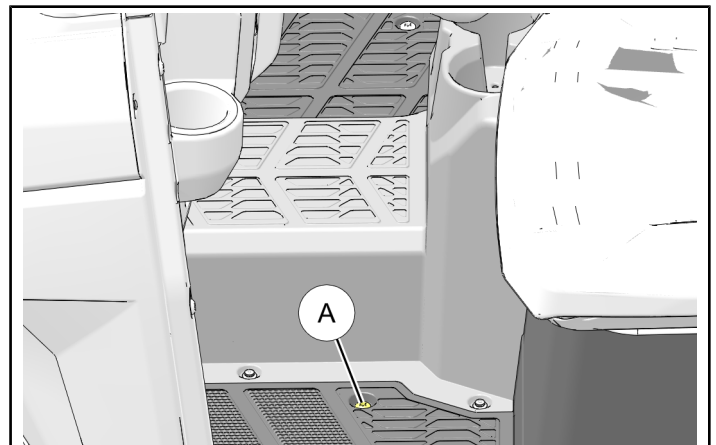
1. Shift vehicle transmission into "PARK". Turn ignition switch to "OFF" position and remove key.
2. Flip up front passenger seat bottom and remove underseat storage compartment.
3. Install rubber bumper ⑧ to FRONT end of floor bracket ① using screw ⑥ and nut ⑨. Tighten nut. Repeat for opposite side.



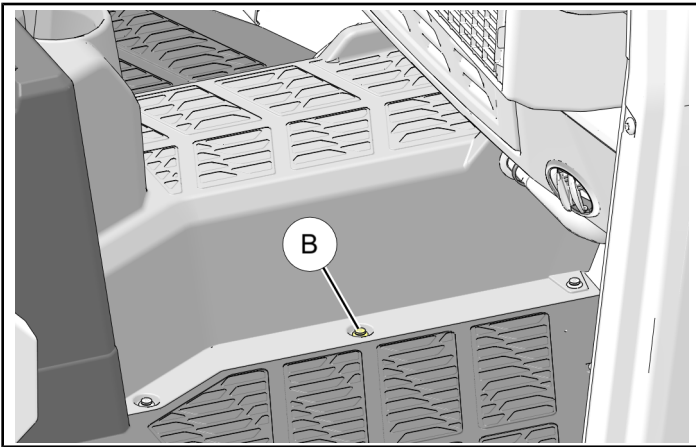
4. Install rubber bumper ⑦ to REAR end of floor bracket ① by pushing button-end up through hole. Repeat for opposite side.



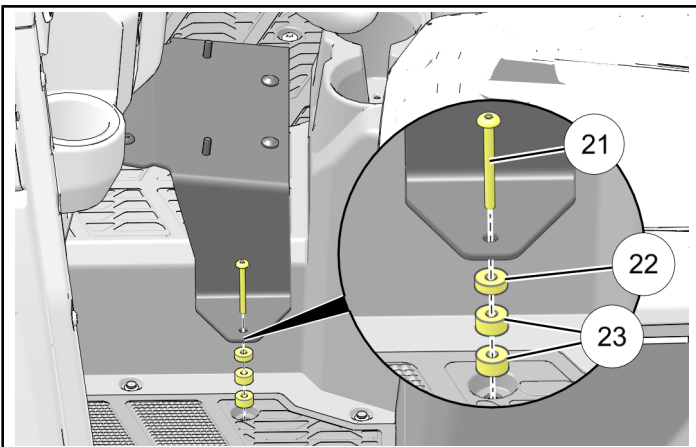
5. Remove screw (A) from LH floor panel. Retain screw.



6. Remove push pin rivet ① from RH side of center floor console. Rivet will not be reused.



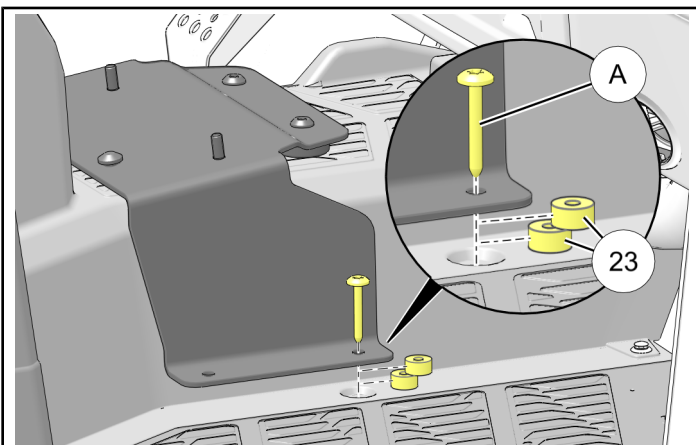
7. Temporarily install left side of floor bracket ① to vehicle using screw ②, one spacer ②, and two spacers ③. Tighten screw only enough to engage 2–3 threads in underlying structure.



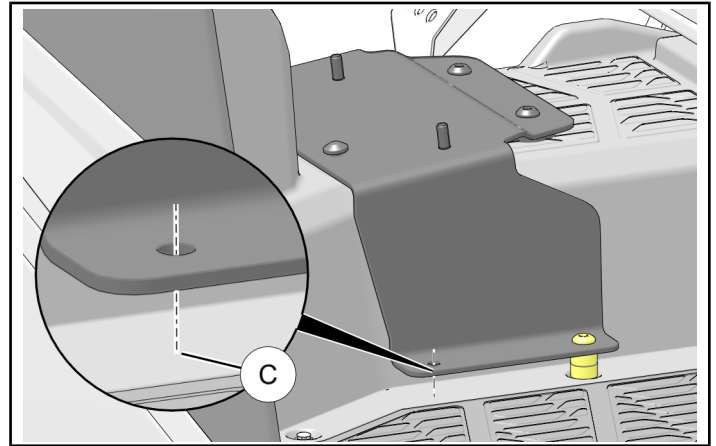
8. Temporarily install right FRONT side of floor bracket ① to vehicle using retained screw ④ (see Step 5) and two spacers ③.

NOTE

Screw insertion will help align floor bracket in next step. Screw will not thread into any structure. Nut and washer will be installed in a later step.



9. Using floor bracket ① as template, mark location of rear hole ③ on right side of center floor console (through hole in floor bracket).



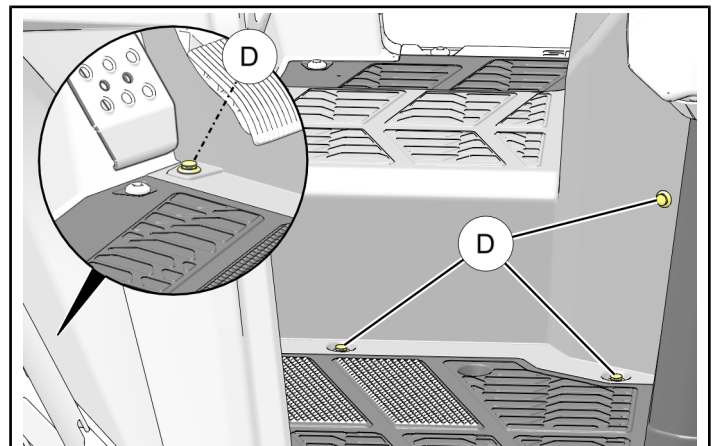
10. Remove floor bracket ① by removing screw ② from LH side of bracket, screw ④ from RH side of bracket, and all spacers. See previous Steps 7–8.

11. Remove four push pin rivets ① from LH side of center floor console, and three remaining push pin rivets from RH side of console.

Lift back of console, disengage tab at front of console, then remove console from vehicle. Retain rivets.

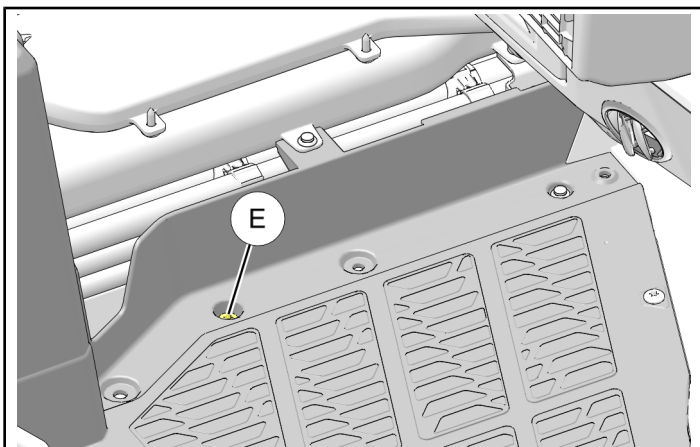
NOTE

LH side shown; RH side opposite.



12. Drill 5/16 inch (8 mm) hole through center floor console at marked location ③.

13. Remove screw ⑤ from RH floor panel. Screw will not be reused.



14. Reinstall center floor console by engaging tab at front of console, then lowering back of console. Do not secure console to floor at this time.

15. LOOSELY reinstall floor bracket ① over center floor console using screws and spacers as shown in previous Steps 7–8.

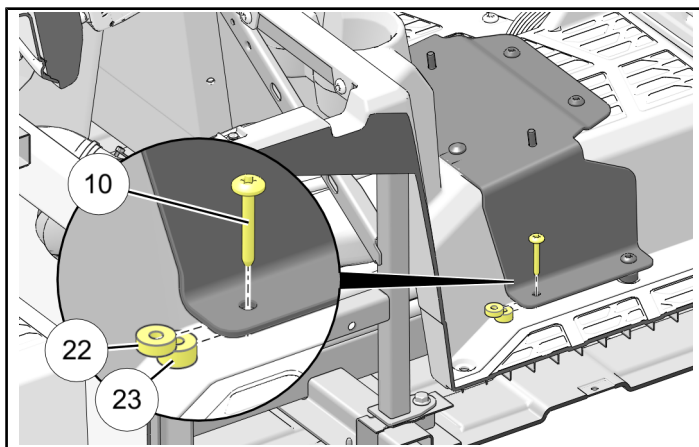
NOTE

Nut and washer will be installed to screw ① in a later step.

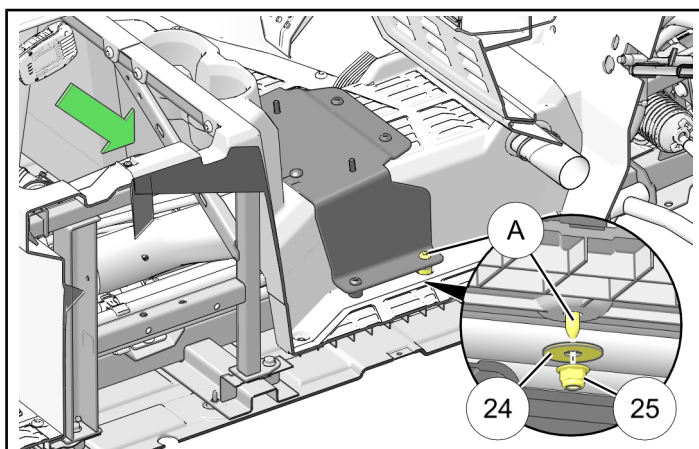
16. Loosely install right rear side of floor bracket ① to vehicle using screw ⑩, spacer ⑳, and spacer ㉓.

NOTE

Bracket may flex slightly when installing screw.



17. Reach through underseat compartment opening to loosely install washer ㉔ and nut ㉕ to screw ①.



18. Reinstall seven retained push pin rivets ① to center floor console LH and RH sides. See previous Step 11.

19. Tighten left side bracket screw ㉑, right front bracket screw ①, and right rear bracket screw ⑩. See previous Steps 7, 17, and 16.

20. Reinstall underseat storage compartment.

21. Return to In-Cab Gun Mount installation instructions (PN 9928524) and perform section entitled **ASSEMBLE AND INSTALL GUN HOLDER**.

FEEDBACK FORM

A feedback form has been created for the installer to provide any comments, questions or concerns about the installation instructions. The form is viewable on mobile devices by scanning the QR code or by clicking [HERE](#) if viewing on a PC.

FEEDBACK FORM

