

REARVIEW MIRROR KIT



P/N 2883763

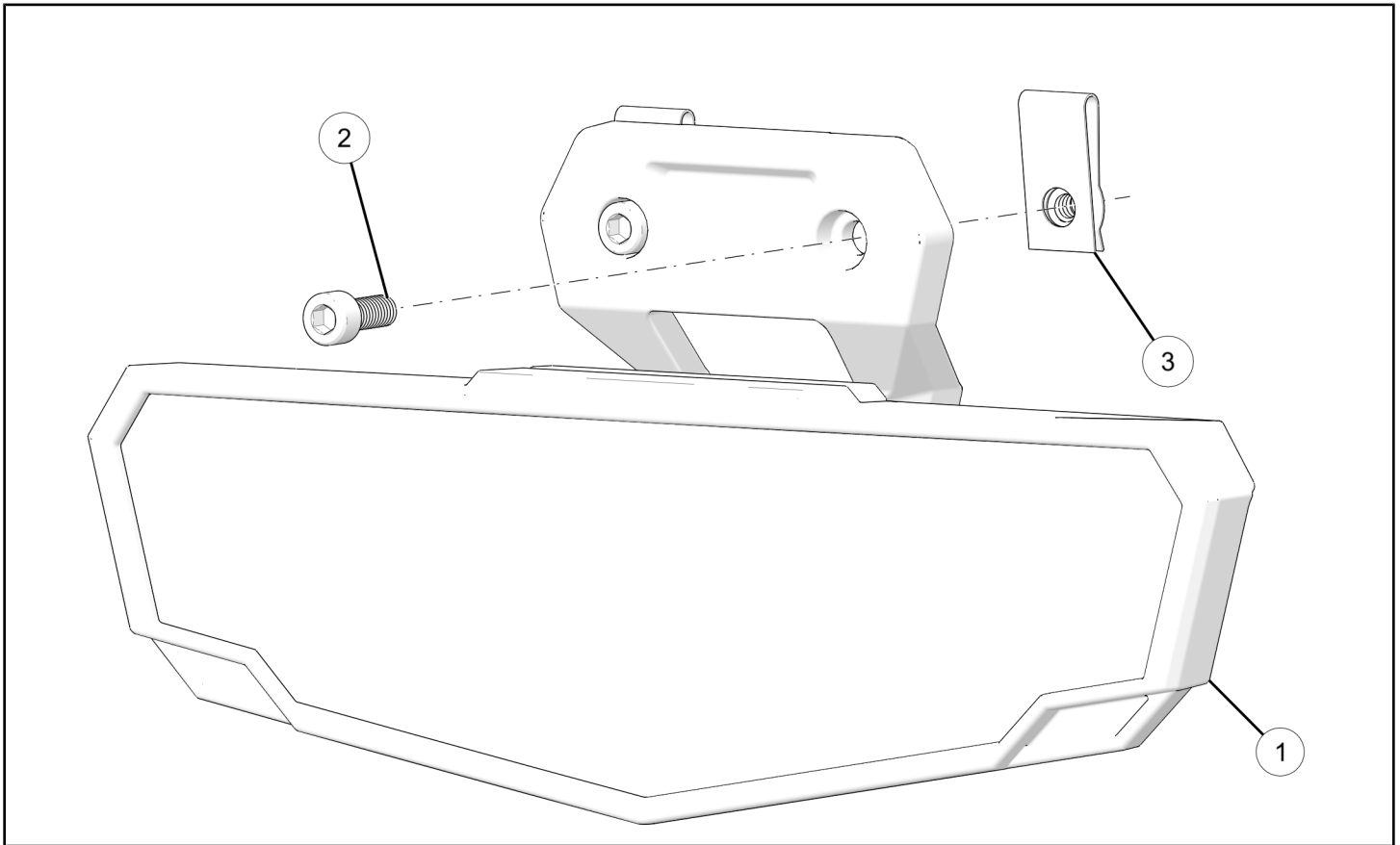
APPLICATION

Verify accessory fitment at Polaris.com.

BEFORE YOU BEGIN

Read these instructions and check to be sure all parts and tools are accounted for. Please retain these installation instructions for future reference and parts ordering information.

KIT CONTENTS



| REF | QTY | PART DESCRIPTION | P/N AVAILABLE SEPARATELY |
|-----|-----|--------------------------------------|--------------------------|
| 1 | 1 | Assembly, Mirror–Rearview | N/A |
| 2 | 2 | Screw, Socket Head , M6 X 1.0 X 15.0 | N/A |
| 3 | 2 | Nut, M6, U-Type | N/A |
| | 1 | Instructions | 9929594 |

TOOLS REQUIRED

- Safety Glasses
- Hex Key Set, Metric
- Socket Set, Hex Bit, Metric
- Torque Wrench

IMPORTANT

Your Rearview Mirror Kit is exclusively designed for your vehicle. Please read the installation instructions thoroughly before beginning. Installation is easier if the vehicle is clean and free of debris. For your safety, and to ensure a satisfactory installation, perform all installation steps correctly in the sequence shown.

INSTALLATION INSTRUCTIONS

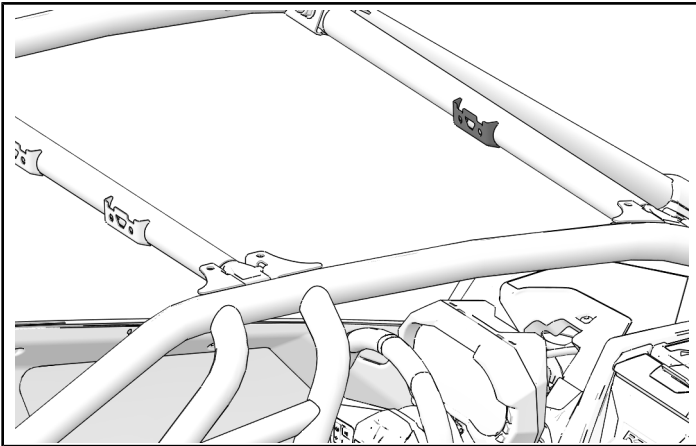
VEHICLE PREPARATION

GENERAL

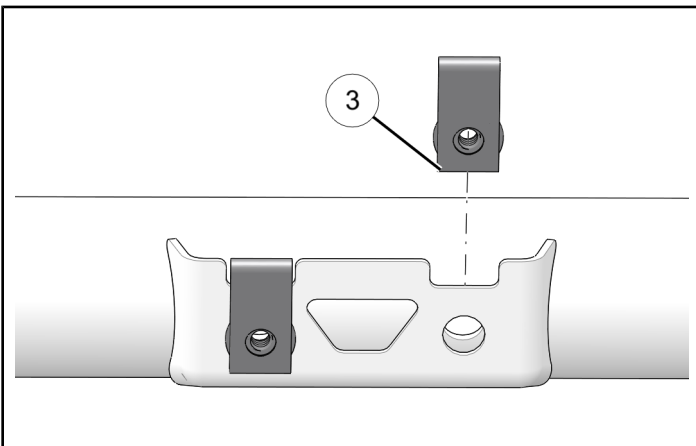
1. Shift vehicle transmission into PARK. Turn key to OFF position and remove from vehicle.

ACCESSORY INSTALLATION

1. Identify mirror bracket on ROPS cross bar.



2. Snap two U-clips ③ onto bracket.



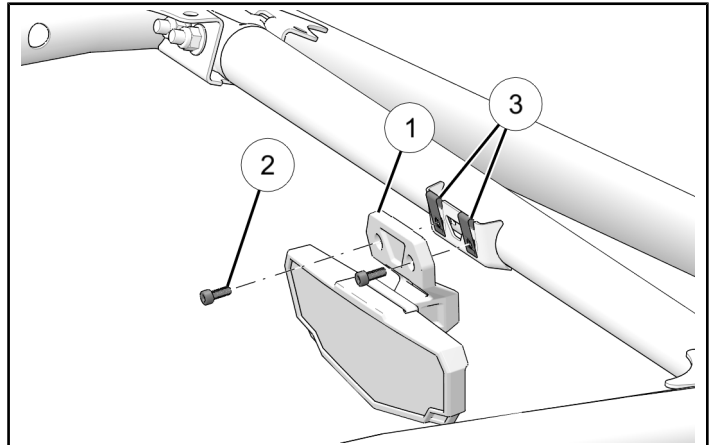
FEEDBACK FORM

A feedback form has been created for the installer to provide any comments, questions or concerns about the installation instructions. The form is viewable on mobile devices by scanning the QR code or by clicking [HERE](#) if viewing on a PC.

3. Align rearview mirror mount ① with U-clips ③ and install with two screws ②.

TORQUE

Two screws ②: **31 in. lbs. (3.5 Nm)**



FEEDBACK FORM

