

SIDE MIRROR KIT



P/N 2883762

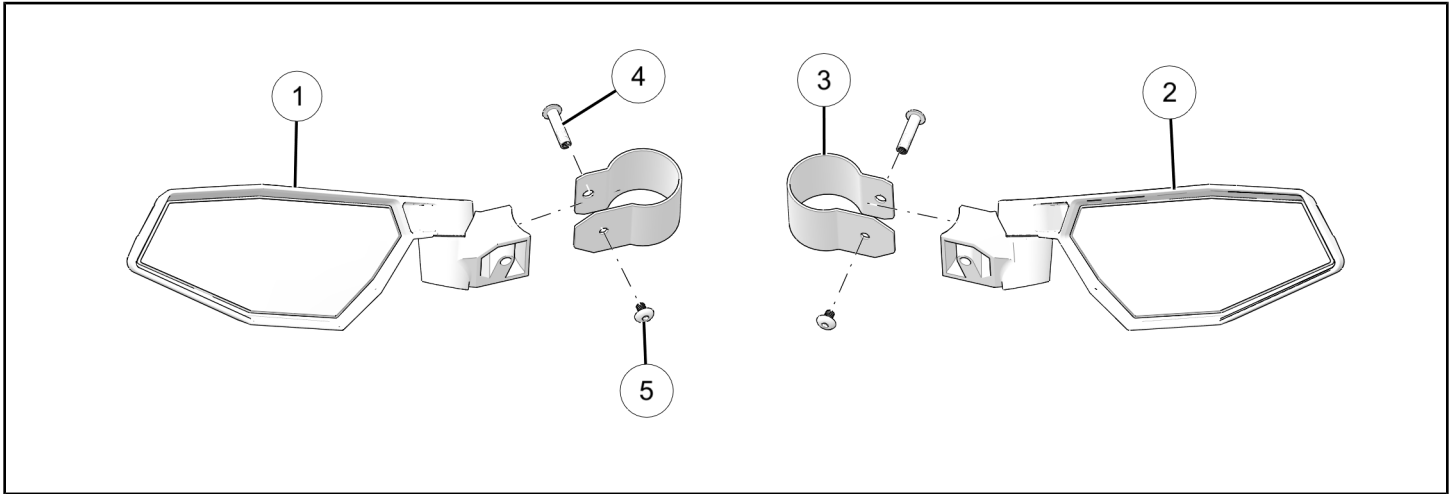
APPLICATION

Verify accessory fitment at Polaris.com.

BEFORE YOU BEGIN

Read these instructions and check to be sure all parts and tools are accounted for. Please retain these installation instructions for future reference and parts ordering information.

KIT CONTENTS



REF	QTY	PART DESCRIPTION	P/N AVAILABLE SEPARATELY
1	1	Assembly–Mirror, LH	N/A
2	1	Assembly–Mirror, RH	N/A
3	2	Clamp–ROPS	N/A
4	1	Binding Post, Receiver	N/A
5	1	Binding Screw–M6–1.0–16mm	N/A
	1	Instructions	9929593

TOOLS REQUIRED

- Safety Glasses
- Torque Wrench
- Torx® Bit
- Socket Set, Torx®

IMPORTANT

Your Side Mirror Kit is exclusively designed for your vehicle. Please read the installation instructions thoroughly before beginning. Installation is easier if the vehicle is clean and free of debris. For your safety, and to ensure a satisfactory installation, perform all installation steps correctly in the sequence shown.

INSTALLATION INSTRUCTIONS

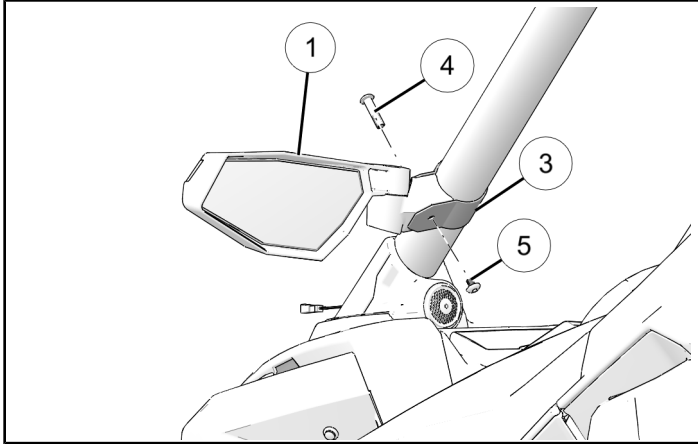
VEHICLE PREPARATION

GENERAL

1. Shift vehicle transmission into PARK. Turn key to OFF position and remove from vehicle.

ACCESSORY INSTALLATION

1. Place clamp^③ on A pillar, and left hand mirror^① within clamp as shown. Put binding post receiver^④ into clamp and mirror base as shown. Hold receiving post immobile to hand-tighten binding screw^⑤.



FEEDBACK FORM

A feedback form has been created for the installer to provide any comments, questions or concerns about the installation instructions. The form is viewable on mobile devices by scanning the QR code or by clicking [HERE](#) if viewing on a PC.

2. Position mirror at eye level when seated in vehicle. Use torx[®] to hold binding post receiver^④ immobile, then tighten binding screw^⑤ to specification.

TORQUE

Binding Post Screw^⑤:
7.5 ft-lbs (10 N·m)

NOTE

Fine mirror adjustments can be made by applying slight pressure on glass edges. Mirror case is immobile.

3. Repeat steps 1–2 for opposite side.

