

AUDIO PODS KIT



P/N 2883945

BEFORE YOU BEGIN

Read these instructions and check to be sure all parts and tools are accounted for. Please retain these installation instructions for future reference and parts ordering information.

APPLICATION

Verify accessory fitment at Polaris.com.

REQUIRED SOLD SEPARATELY

Only parts for installation of the Audio Pods Kit are included. For complete installation, the following additional kit or audio harness is required (sold separately):

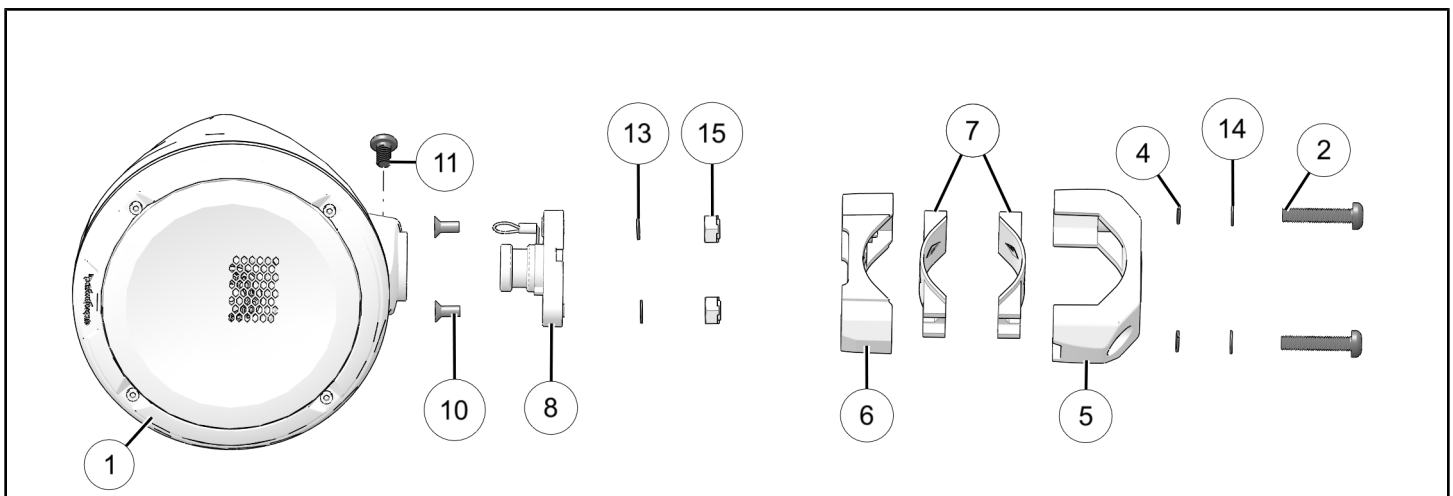
PRO MODELS

- *Rear Speakers Kit*, P/N 2883944 / OEM equivalent
- *Harness–Audio, Rear*, P/N 2415152 (required, if not equipped with rear speakers) and Cable Ties (commercially available)

TRAIL MODELS

- *Harness–Audio, Rear*, P/N 2415652 and Cable Ties (commercially available)

KIT CONTENTS

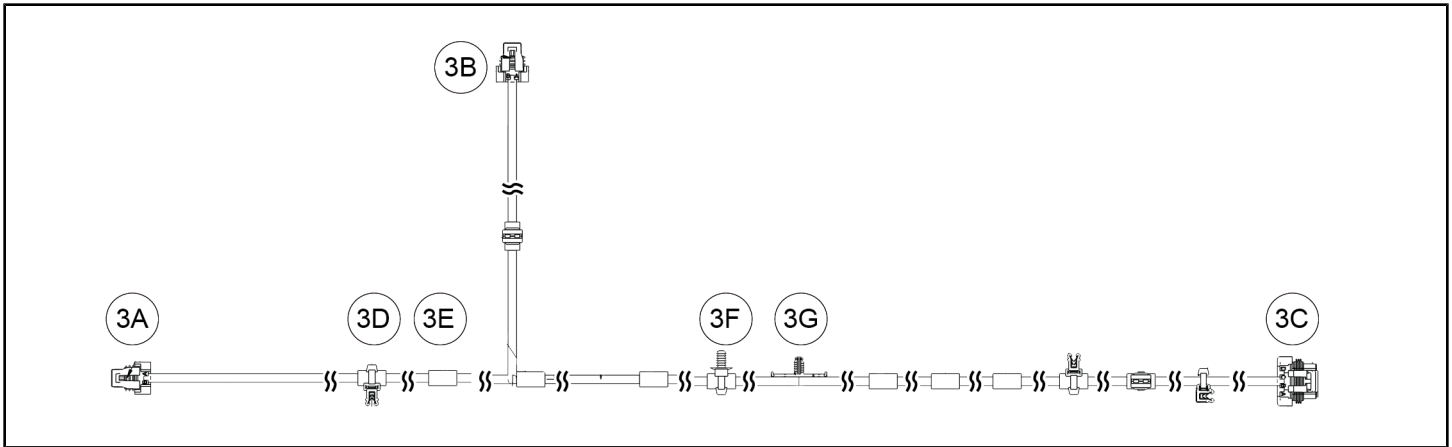


REF	QTY	PART DESCRIPTION	SERVICE KIT AVAILABLE
1	2	Assembly–Speaker, Pod	n/a
2	2	Clamp–Screw Torx®	2414940
4	2	Clamp–Washer Lock, Large	2414940
5	2	Clamp–Collar, Top	2414940
6	2	Clamp–Collar, Bottom	2414940
7	2	Insert–Collar, Rubber	2414940

REF	QTY	PART DESCRIPTION	SERVICE KIT AVAILABLE
8	2	Clamp–Mount	2414940
9	2	Retaining Wire (not shown)	2414940
10	4	Screw–Flat Head Hex	2414940
11	2	Screw–Torx®	2414940
12	2	Harness–Audio, Pod (see <i>Harness Detail</i> section)	n/a
13	2	Washer	n/a
14	2	Clamp–Washer Lock, Small	2414940
15	2	Nut	n/a
16	1	Fuse–20A (not shown)	2434017
17	2	Decal–Metallized (not shown)	n/a

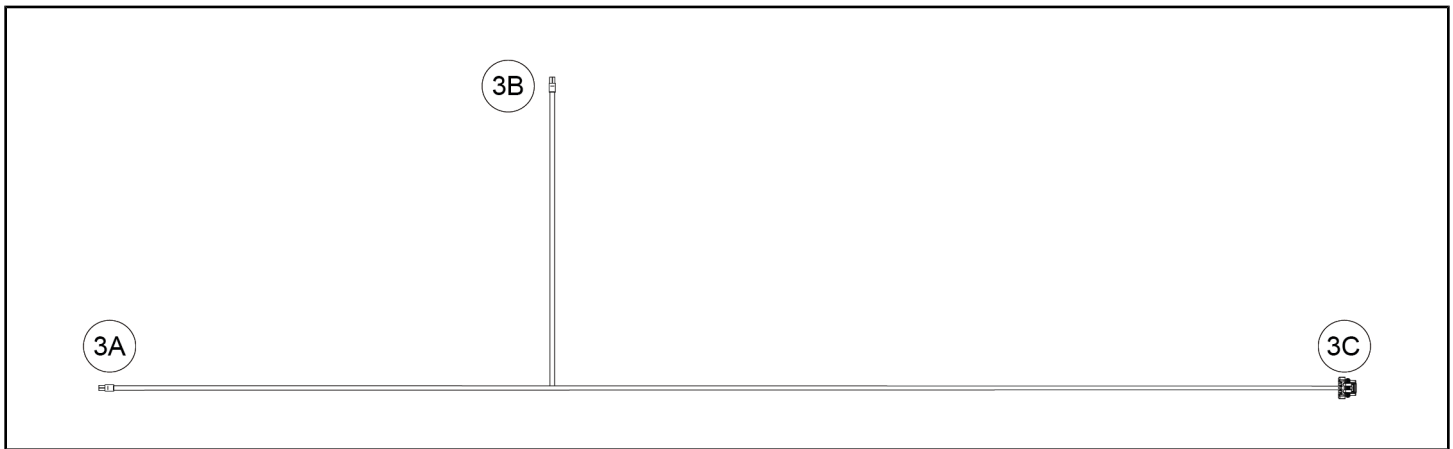
HARNESS DETAIL (SOLD SEPARATELY)

AUDIO HARNESS P/N 2415152



REF	PART DESCRIPTION	PIN QTY/ GENDER	CONNECTS TO
3A	Connector–Speaker, Rear, Right-Hand	2 Pin Female	Assembly–Enclosed Speaker, Coaxial, Rear, Right-Hand
3B	Connector–Speaker, Rear, Left-Hand	2 Pin Female	Assembly–Enclosed Speaker, Coaxial, Rear, Left-Hand
3C	Connector–Audio Input	4 Pin Female	Basic Audio Harness, Ride Command® Harness, or chassis audio harness
3D	Clip–Routing	—	Vehicle structure
3E	Tape–White	—	Identifies installation location for cable tie
3F	Clip–Cable Tie, Push Mount	—	Vehicle structure
3G	Clip–Push Mount	—	Vehicle structure

AUDIO HARNESS P/N 2415652



REF	PART DESCRIPTION	PIN QTY/ GENDER	CONNECTS TO
3A	Connector–Speaker, Rear, Right-Hand	2 Pin Female	Assembly–Enclosed Speaker, Coaxial, Rear, Right-Hand
3B	Connector–Speaker, Rear, Left-Hand	2 Pin Female	Assembly–Enclosed Speaker, Coaxial, Rear, Left-Hand
3C	Connector–Audio Input	4 Pin Female	Basic Audio Harness, Ride Command® Harness, or chassis audio harness

TOOLS REQUIRED

- Safety Glasses
- Hex Key Set, Metric
- Screwdriver Set, Torx®
- Socket Set, Hex Bit, Metric
- Socket Set, Torx® Bit
- Torque Wrench

IMPORTANT

Your Audio Pods Kit is exclusively designed for your vehicle. Please read the installation instructions thoroughly before beginning. Installation is easier if the vehicle is clean and free of debris. For your safety, and to ensure a satisfactory installation, perform all installation steps correctly in the sequence shown.

INSTALLATION INSTRUCTIONS

Proceed with installation procedures that best fit your model.

- Pro Models, page 3
- Trail Models, page 24

PRO MODELS ONLY

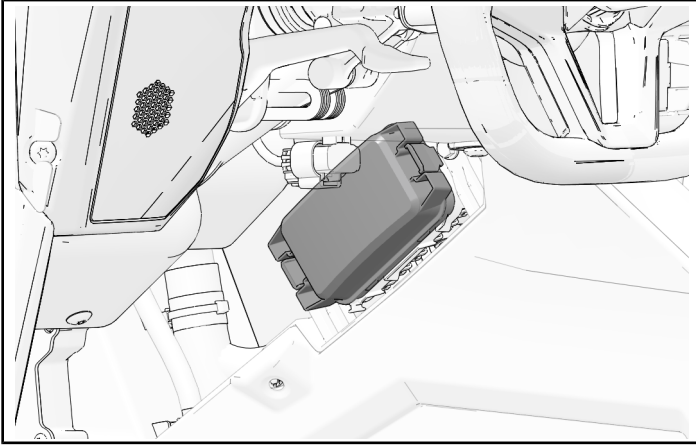
VEHICLE PREPARATION

GENERAL

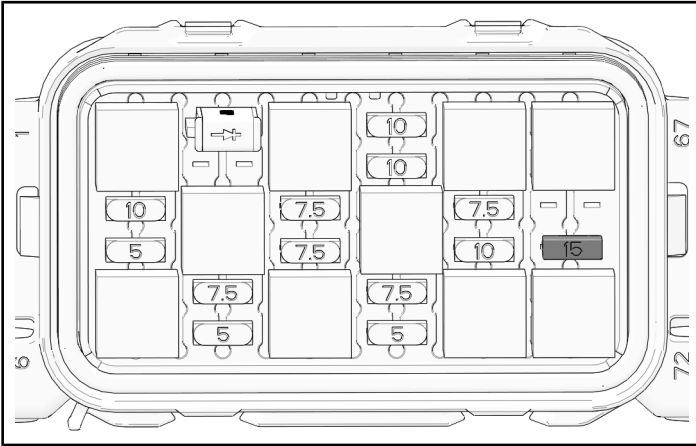
1. Shift vehicle transmission into PARK. Turn key to OFF position and remove from vehicle.
2. If vehicle is equipped with rear speakers ensure fuse is replaced, as per instructions. Then proceed with *Accessory Installation* on page 14.

FUSE REPLACEMENT

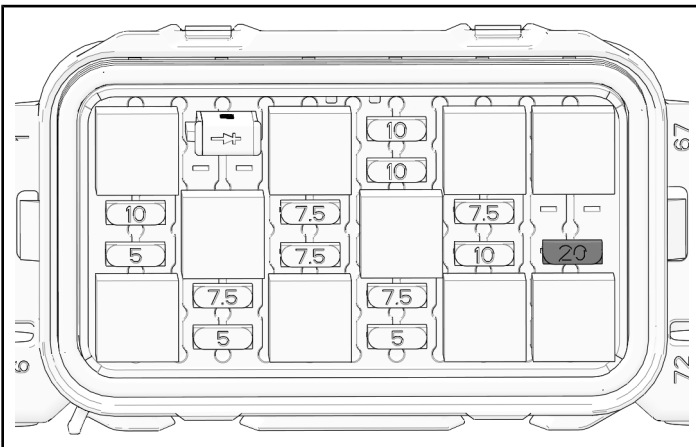
1. Remove fuse cover from below steering wheel.



2. Remove and discard 15A fuse.



3. Replace vacancy with 20A fuse.

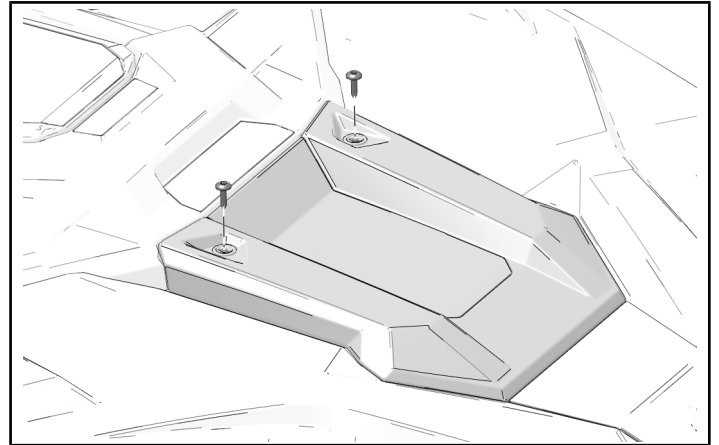


4. Reinstall fuse cover.

REAR AUDIO HARNESS INSTALLATION (IF APPLICABLE)

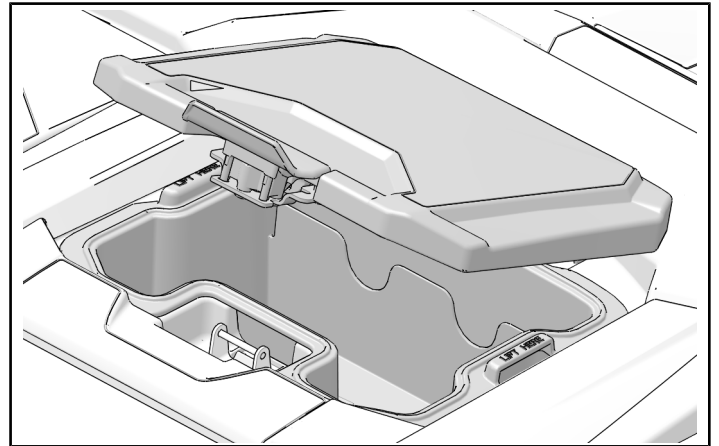
CENTER HOOD PANEL REMOVAL

1. Remove and keep two hood fasteners. Move hood towards rear of vehicle to remove.



DASHBOARD STORAGE REMOVAL

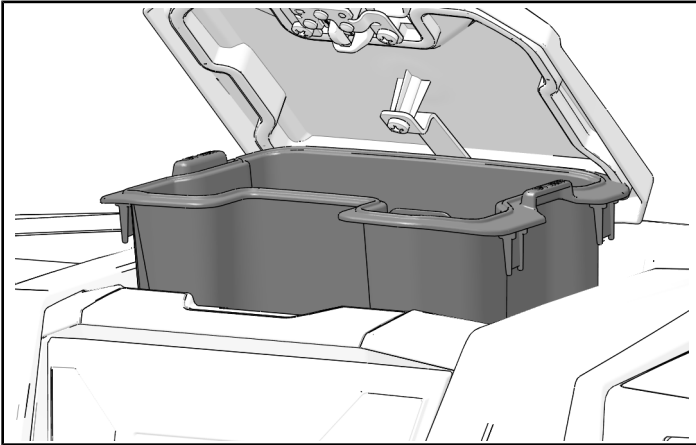
1. Open center dashboard storage compartment.



2. Remove storage compartment from dashboard.

TIP

If removing storage compartment is difficult, carefully use tool to pry storage compartment upwards where marked "LIFT HERE."

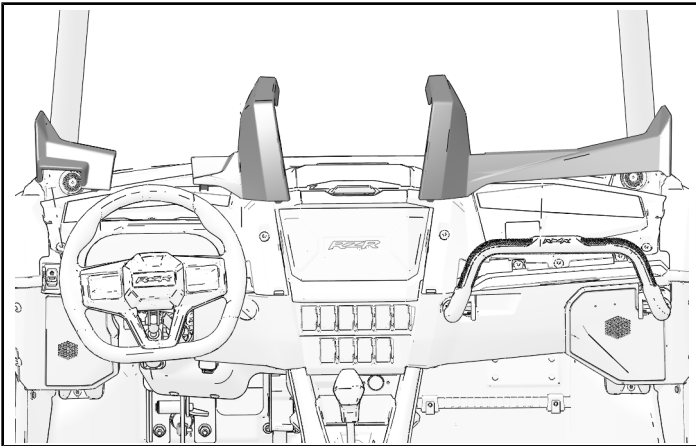


DASHBOARD TOP REMOVAL

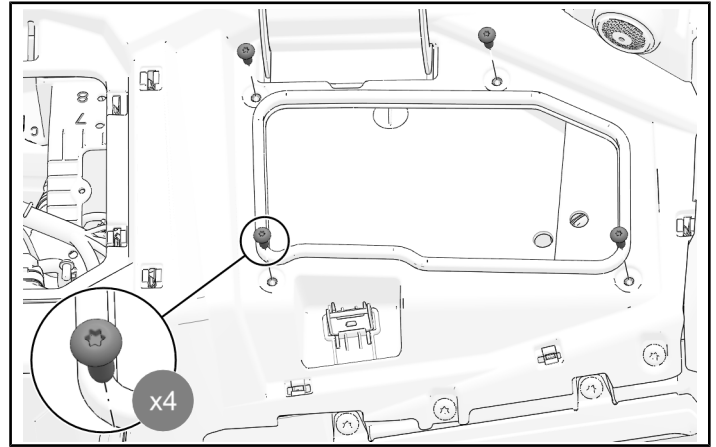
1. Carefully pull up to remove left, center, and right dashboard trim pieces.

TIP

Release steering tilt lock for improved access.



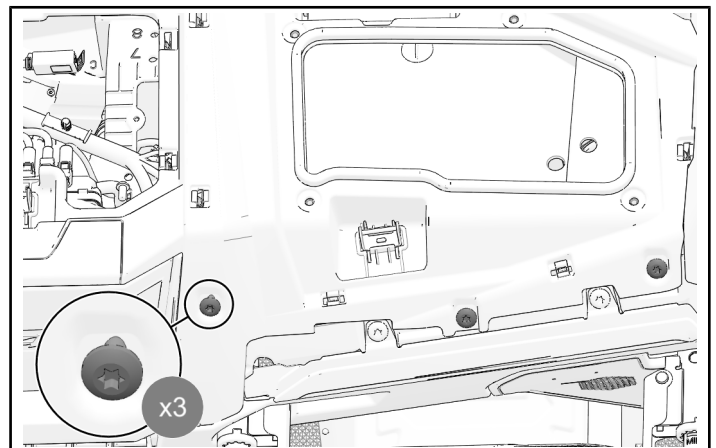
2. Open glove box lid. Remove and keep four dashboard fasteners around glove box opening.



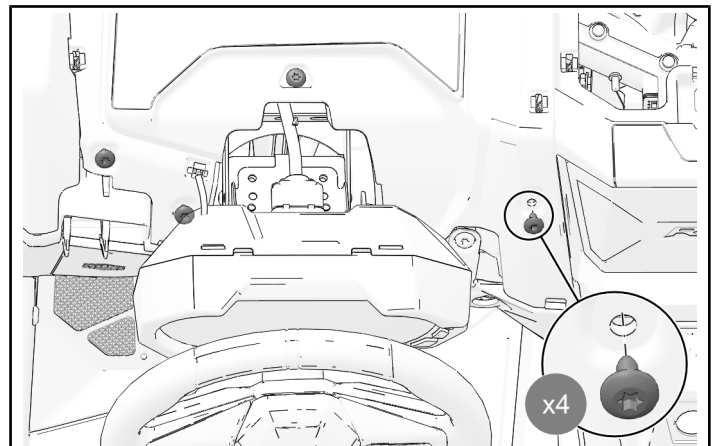
3. Remove and keep three front dashboard fasteners around glove box opening.

TIP

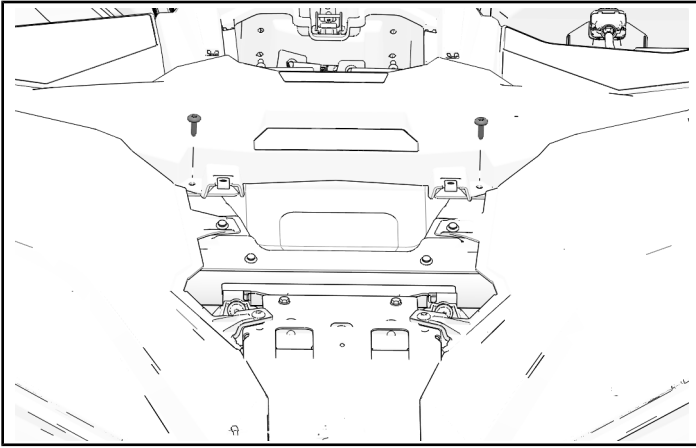
Make note of different screw sizes in steps 2 and 3.



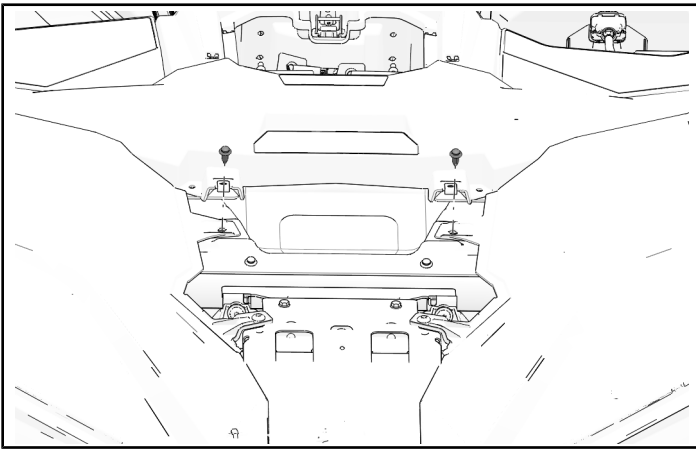
4. Tilt steering wheel down. Remove and keep four dashboard fasteners from dashboard surrounding steering wheel.



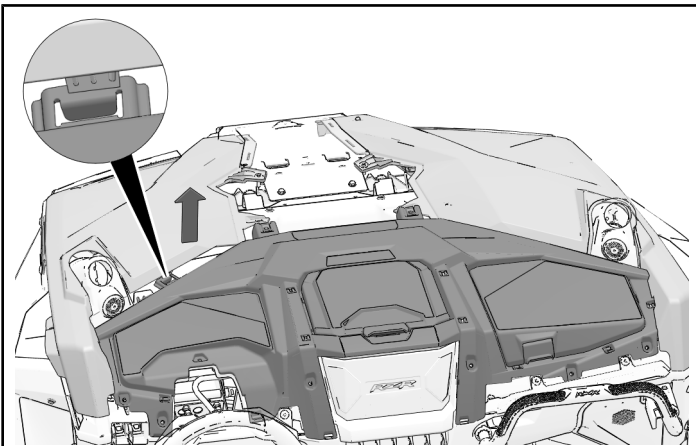
5. Remove and keep two dashboard fasteners from front of vehicle.



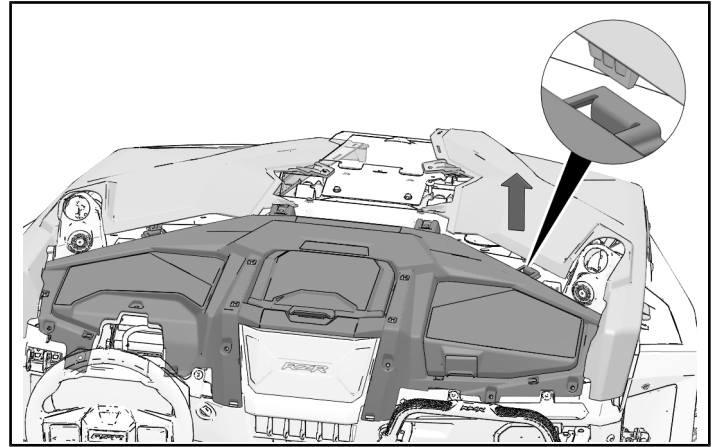
6. Remove and keep two push-pin rivets from front side hood panels.



7. Carefully lift edge of left front hood panel to release tab from dashboard top as shown.



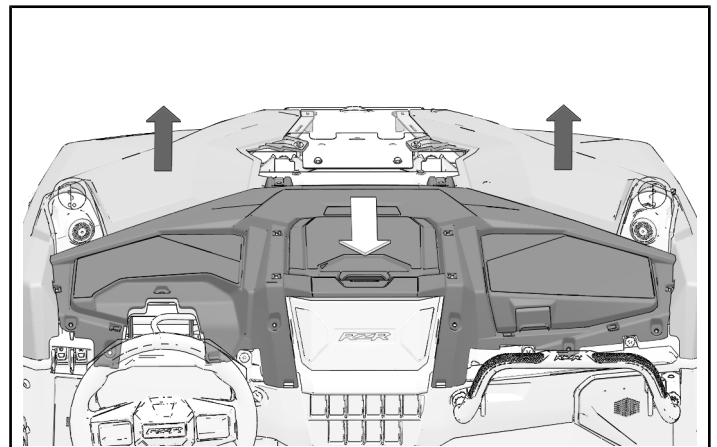
8. Carefully lift edge of right front hood panel to release tab from dashboard top as shown.



9. Carefully keep panels up-and-away from tabs and remove dashboard top by tilting rear section up and pulling out toward rear.

TIP

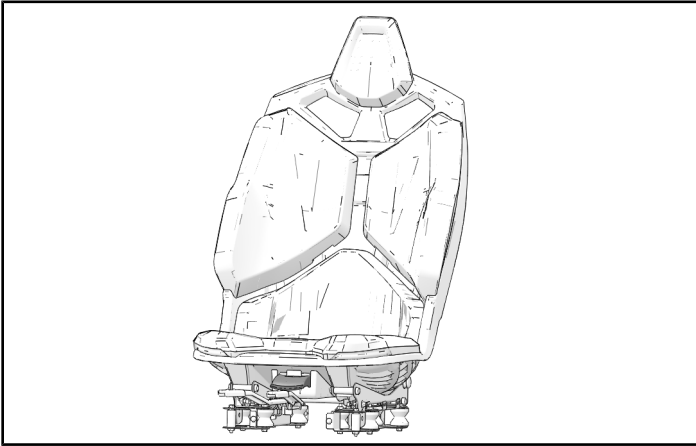
Two people are recommended to complete this step.



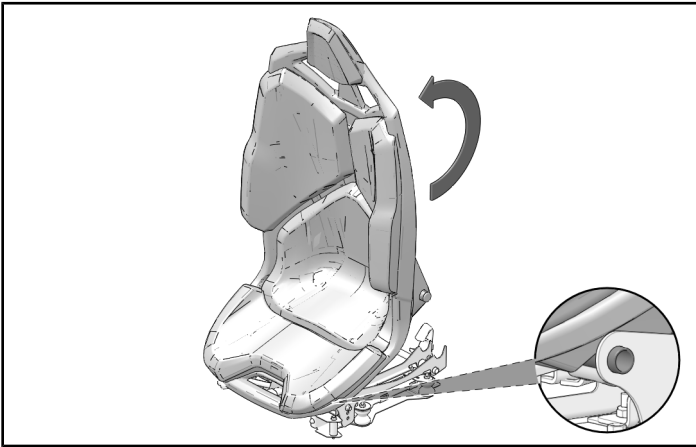
SEAT REMOVAL

FRONT SEAT REMOVAL

1. Pull up on lever, located below front of seat.



2. Tilt seat assembly forward and pull back slightly to disengage from receiver tube and remove seat from vehicle.

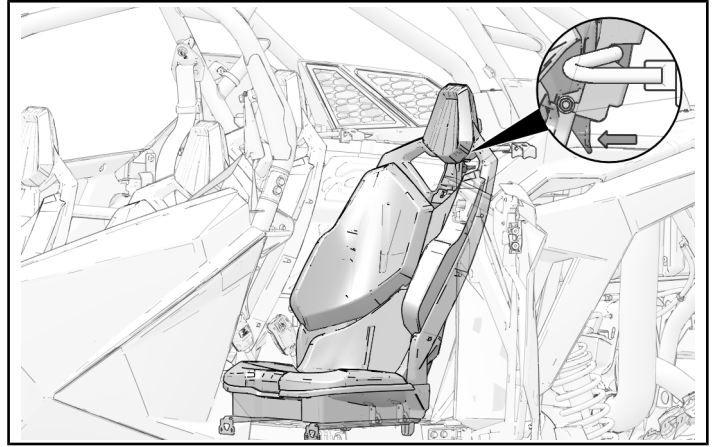


REAR SEAT REMOVAL

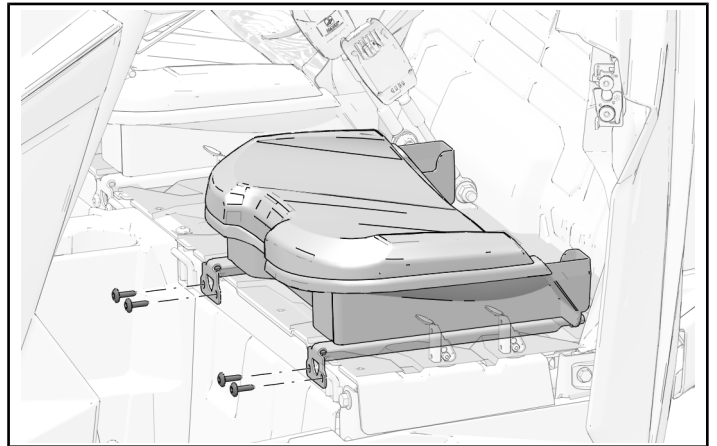
NOTE

Left rear seat shown; right rear similar.

1. Push lever on back of headrest to disengage from receiver tube. Remove seat backrest from vehicle.



2. Remove and keep four seat bracket fasteners. Remove seat from rear seat panel.



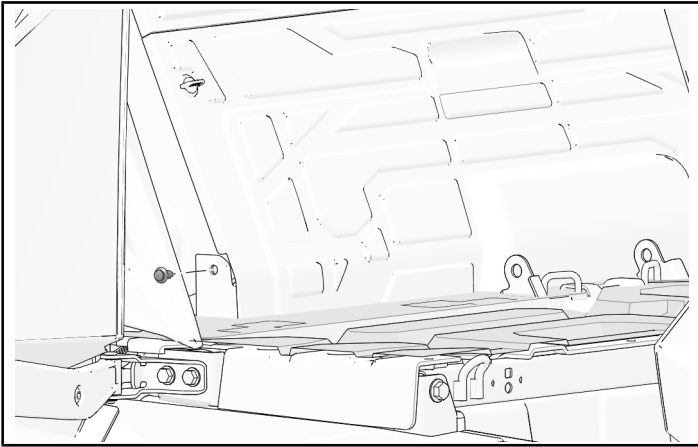
REAR INTERIOR DISASSEMBLY (IF APPLICABLE)

REAR SEAT PANEL REMOVAL

1. Remove and keep eleven seat panel fasteners.



2. Remove and keep one push-pin rivet from right-rear of seat panel.



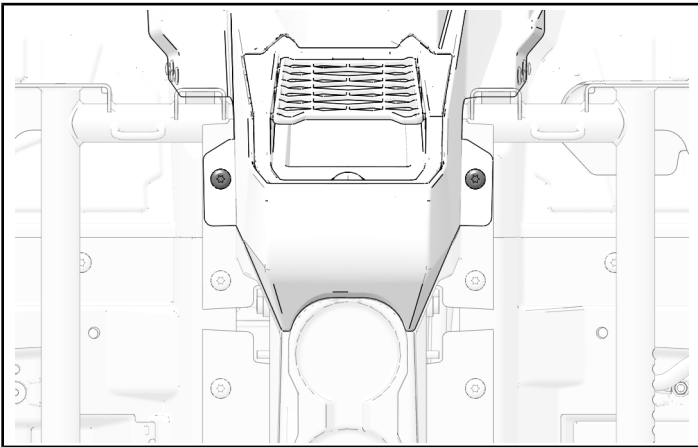
3. Remove seat panel from vehicle.

REAR CENTER CONSOLE DISASSEMBLY

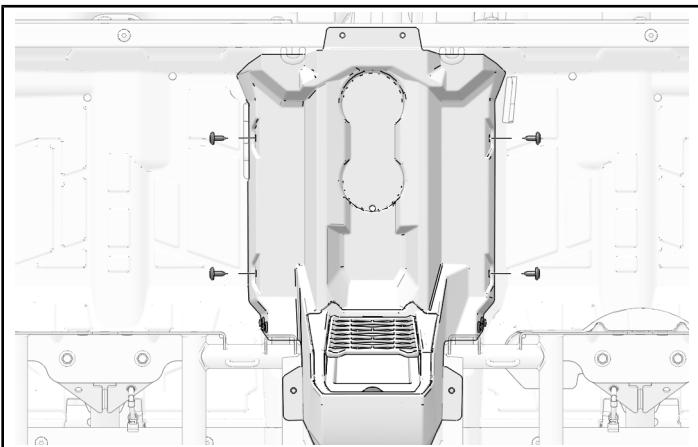
IMPORTANT

Note size difference of fasteners removed in steps 1 and 2.

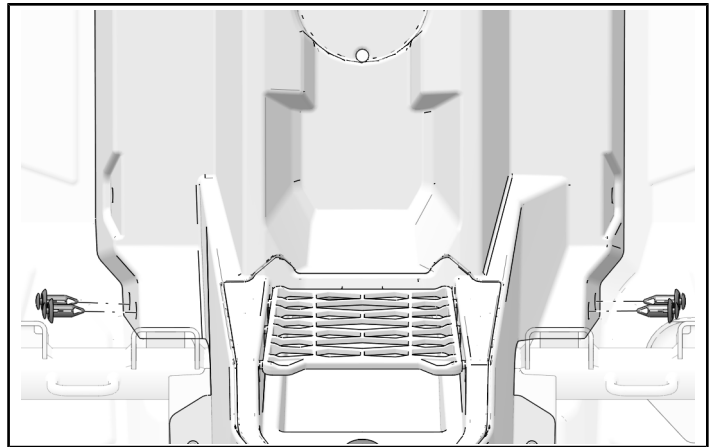
1. Remove and keep two center console top fasteners (longer).



2. Remove and keep four center console side fasteners (shorter).



3. Remove and keep four push-pin rivets.

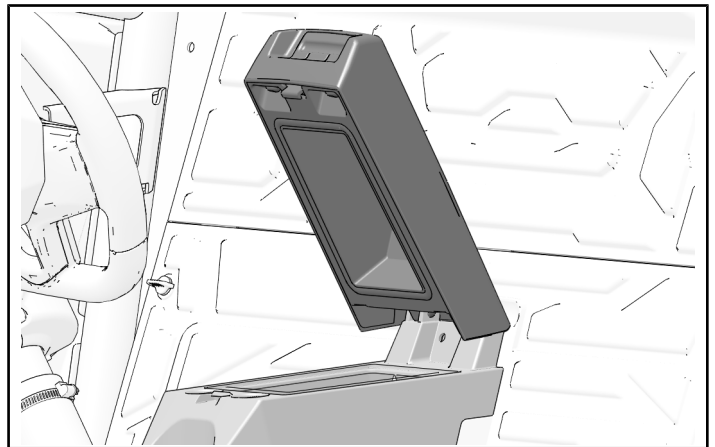


FRONT CENTER CONSOLE DISASSEMBLY

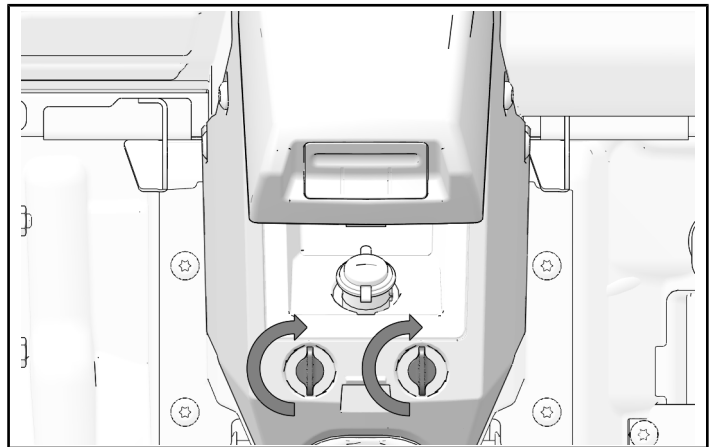
STORAGE COMPARTMENT REMOVAL

Storage Compartment Removal applies to two-passenger vehicles only.

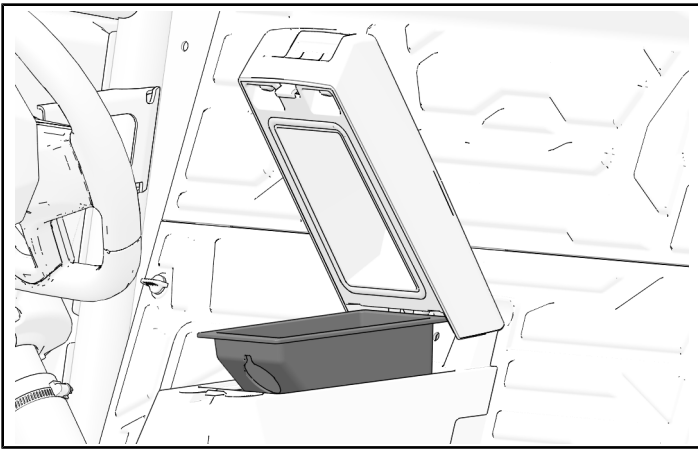
1. Open center console.



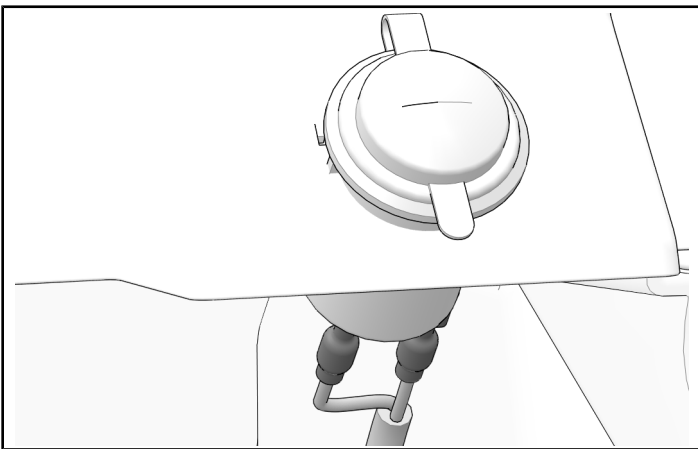
2. Turn each knob 1/4 to disengage from center console panel.



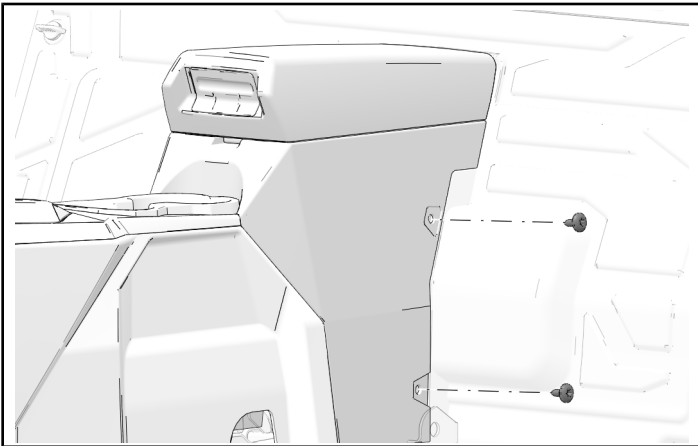
3. Remove and keep storage compartment.



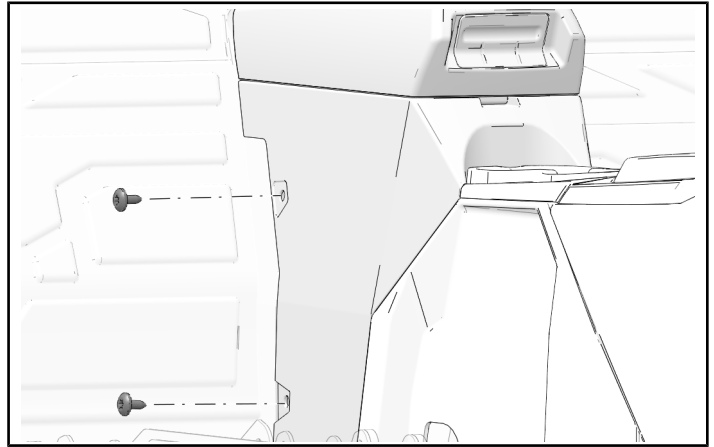
4. Disconnect 12 volt outlet from within center console cavity.



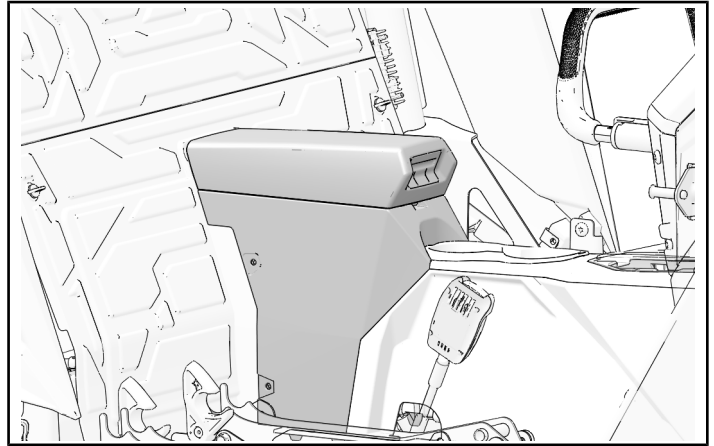
5. Remove and keep two center console fasteners from driver side.



6. Remove and keep two center console fasteners from passenger side.

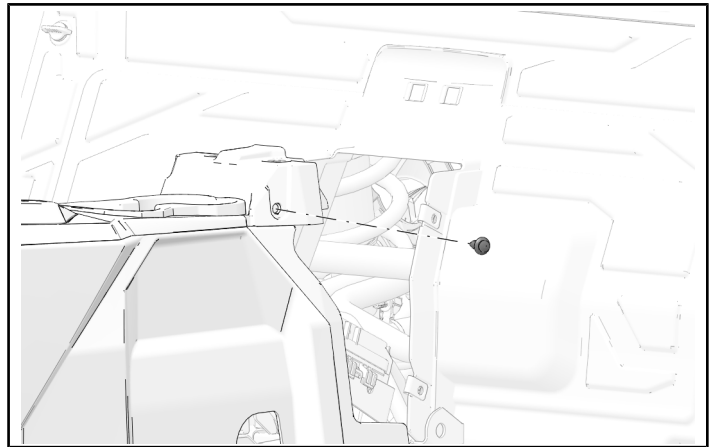


7. Remove center console storage compartment from vehicle.

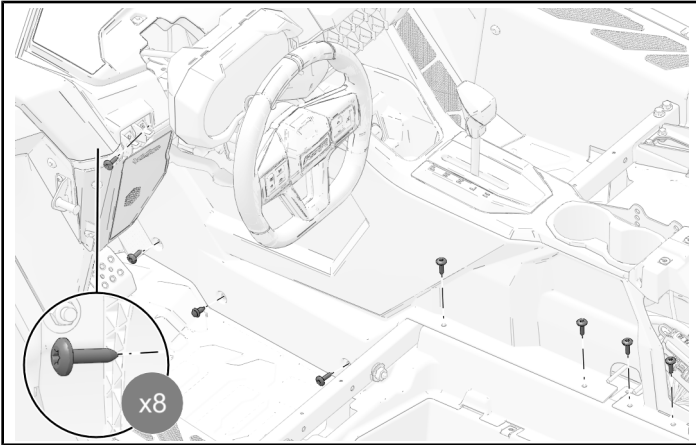


LEFT-HAND PANEL DISASSEMBLY

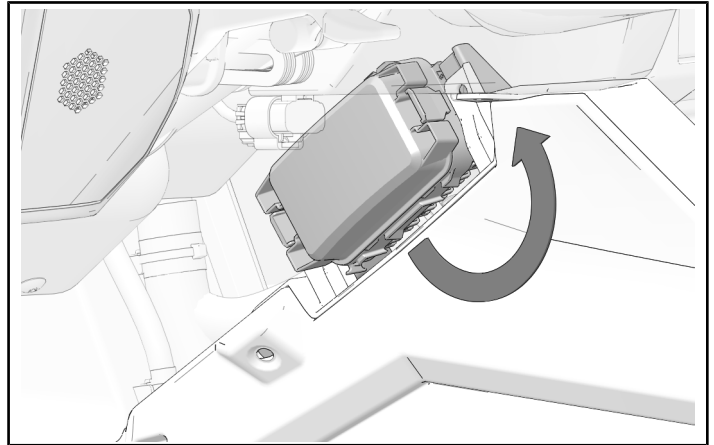
1. Remove and keep one push-pin rivet from center console.



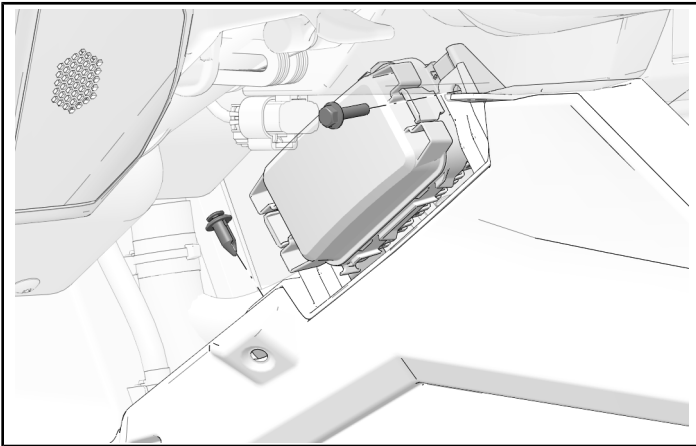
2. Remove and keep eight center console fasteners from driver's side.



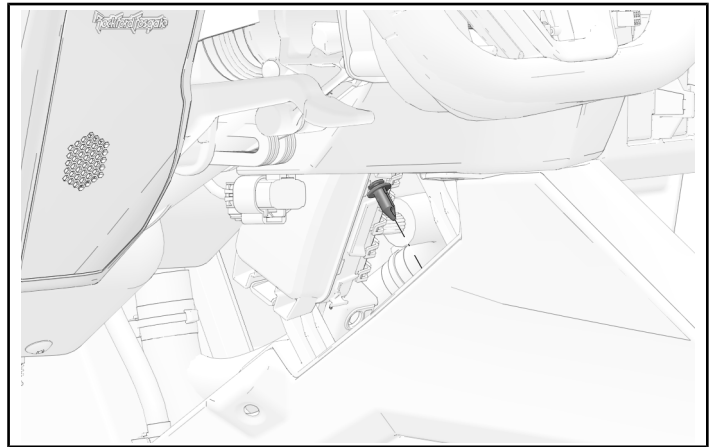
5. Rotate fuse block upwards towards front of vehicle to access push-pin rivet beneath fuse block.



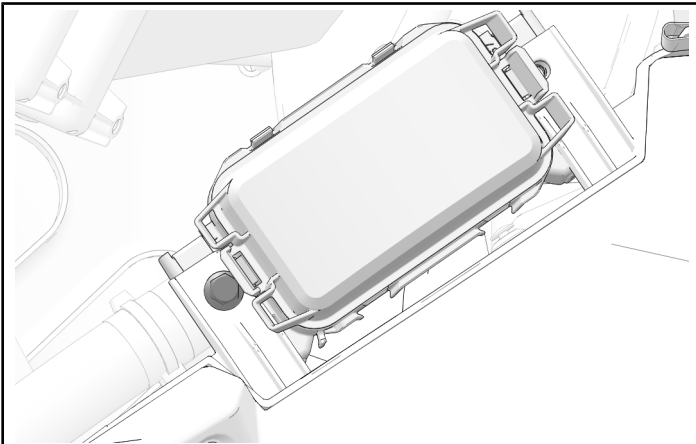
3. Remove and keep one push-pin rivet and fuse block fastener.



6. Remove and keep push-pin rivet.

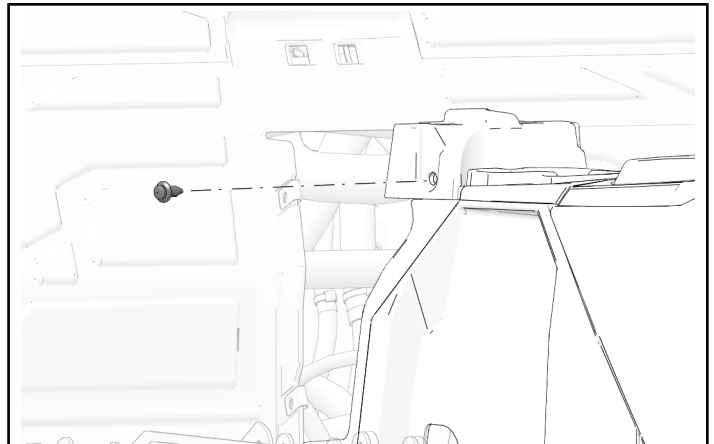


4. Loosen, but do not remove, left-hand fuse block fastener.

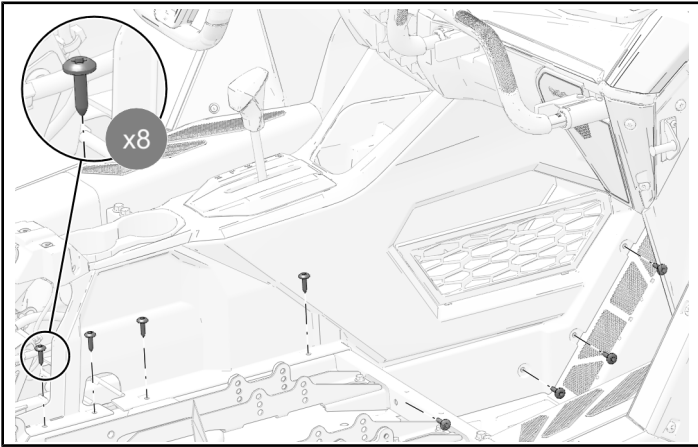


RIGHT-HAND PANEL DISASSEMBLY

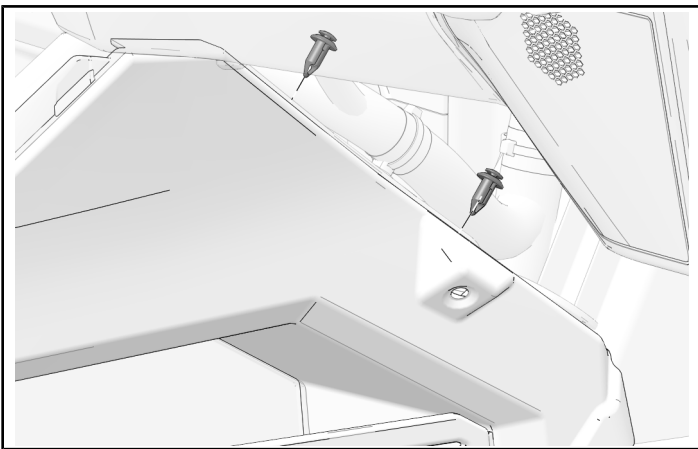
1. Remove and keep one push-pin rivet from center console.



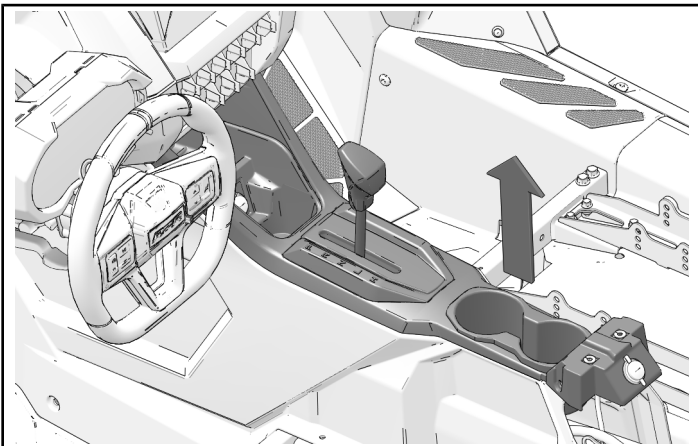
- Remove and keep eight center console fasteners from passenger's side.



- Remove and keep two push-pin rivets.

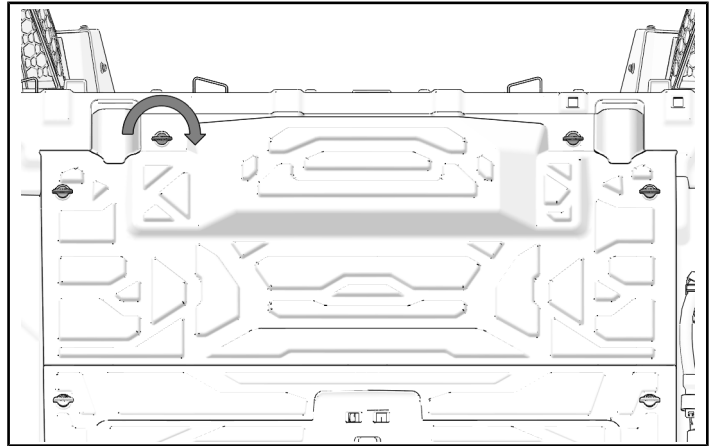


- Carefully lift center panel upwards to remove side panels from vehicle.

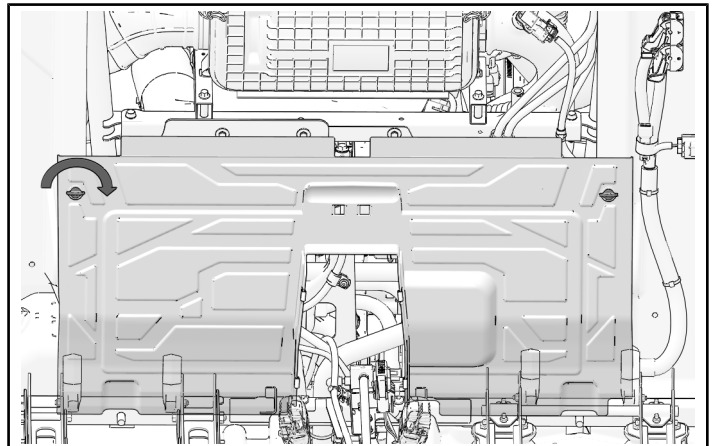


CLOSE-OFF PANEL REMOVAL

- Turn each knob 1/4 to disengage and remove top close-off panel.

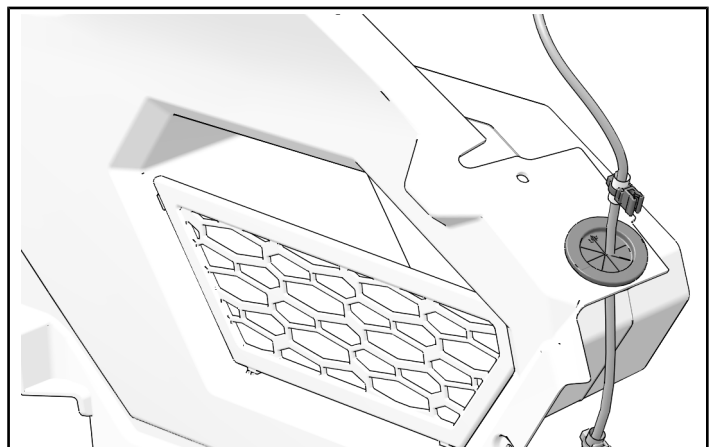


- Turn each knob 1/4 to disengage and remove bottom close-off panel.

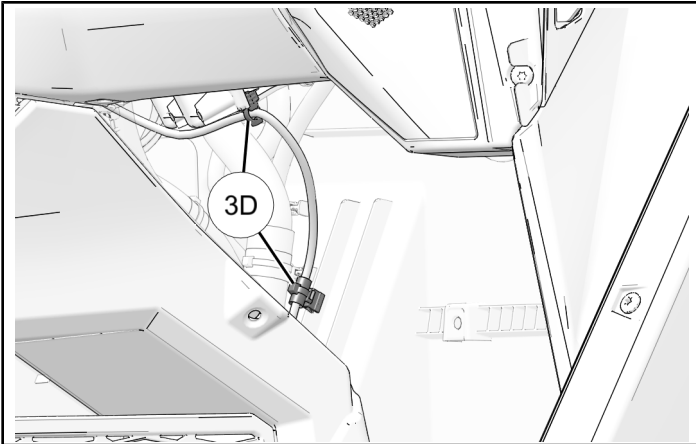


REAR AUDIO HARNESS ROUTING

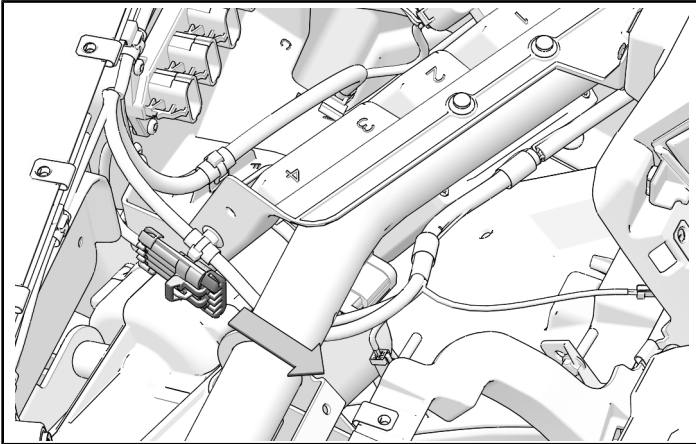
- Route connector 3C through grommet in passenger side console panel.



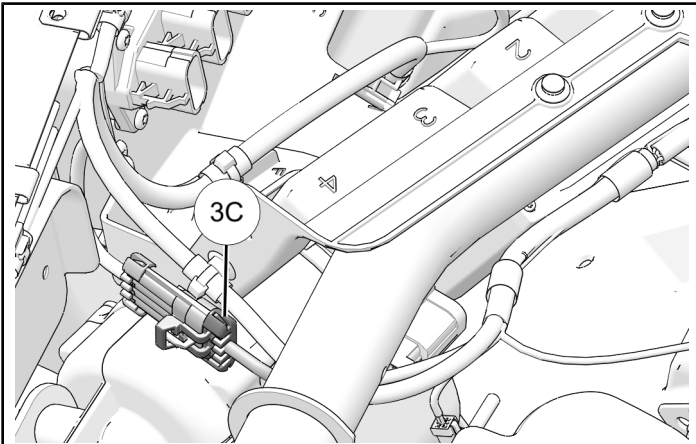
- Loosely reinstall passenger-side console panel and begin routing audio harness to accessory mounting panel. Secure to vehicle with edge clips 3D.



- Remove cover from rear audio connector.



- Join connector 3C to main audio harness.

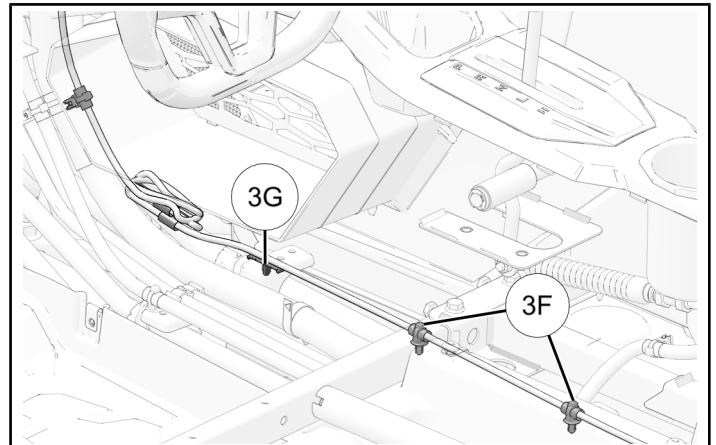


- Route harness along tunnel, securing with routing clips.

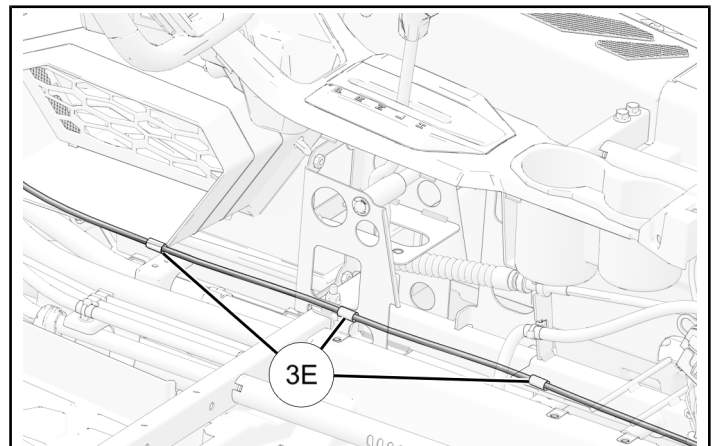
- Two Passenger Vehicles:
Use attached routing clips 3G and 3F.

NOTE

Store excess harness beneath center console panel, as shown, and secure with cable tie.

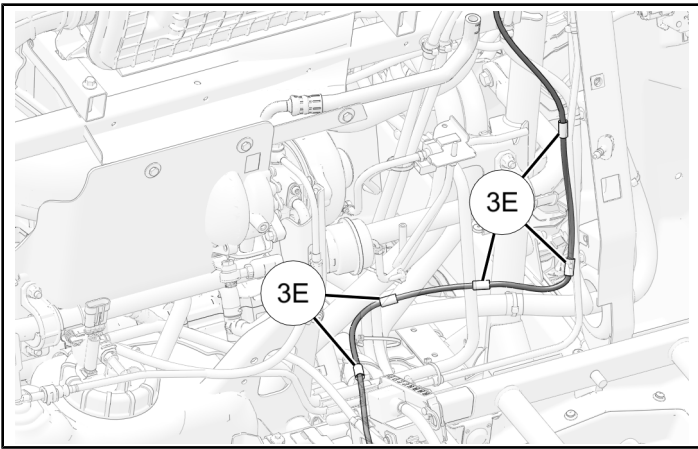


- Four passenger Vehicles:
Use three cable ties at taped locations 3E and then continue to route along tunnel with attached routing clips 3G and 3F.

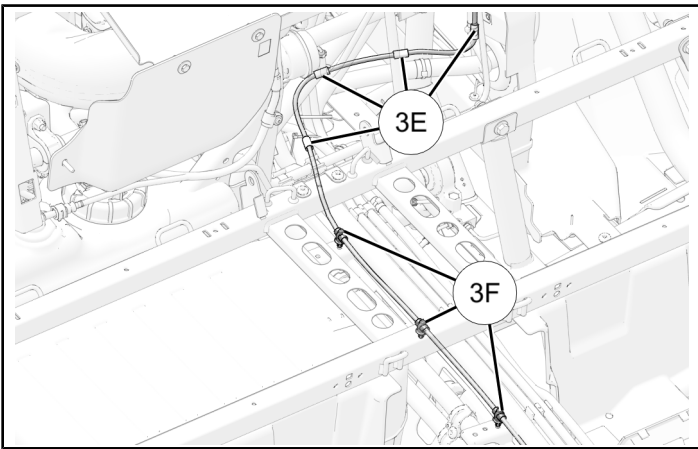


- Route audio harness along chassis harness, behind rear close-off panel. Use cable ties at taped locations 3E or routing clips 3F.

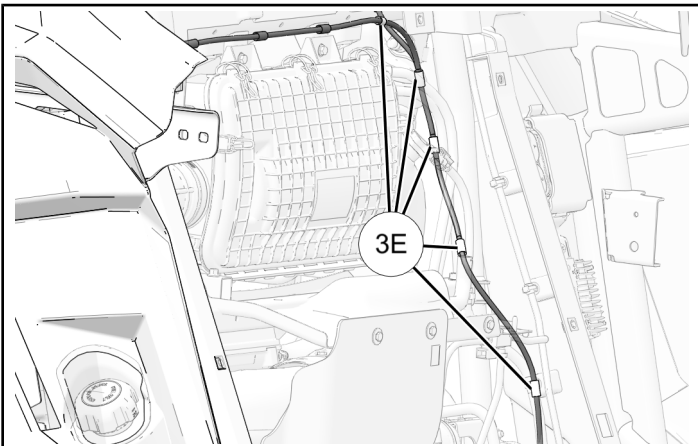
- Two Passenger Vehicles:



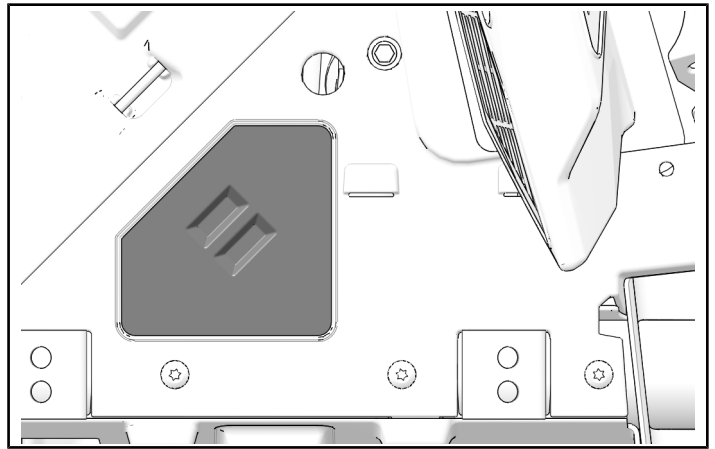
- Four Passenger Vehicles:



7. Route audio harness along chassis harness, behind rear close-off panel. Use four cable ties at taped locations 3E.

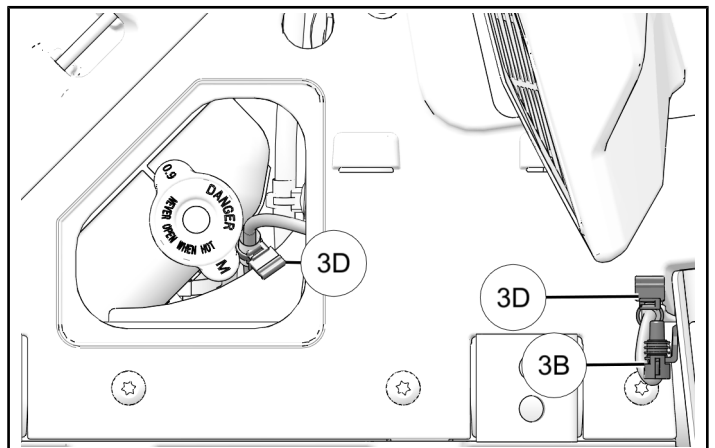


8. Remove coolant access panel for easier routing.

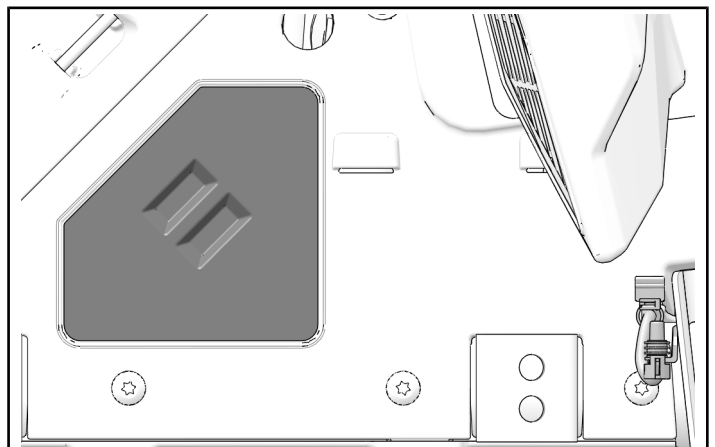


9. Attach harness to vehicle frame with two edge clips 3D.

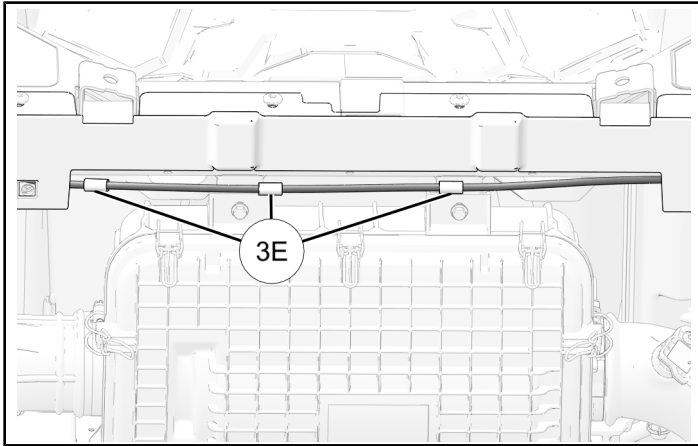
TIP
Access from rear wheel-well may be required to route connector 3B and second edge clip 3D.



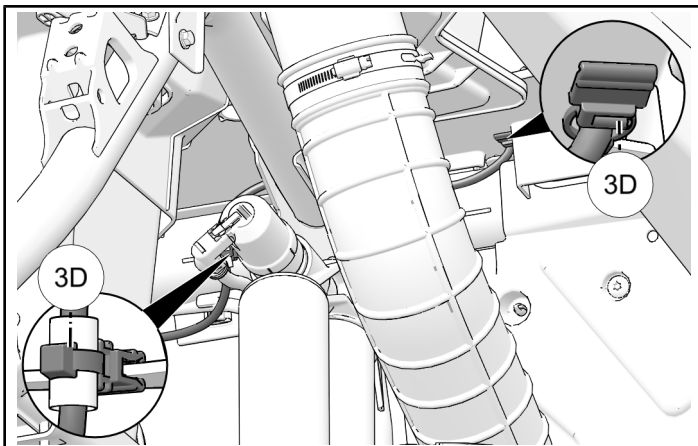
10. Reinstall coolant access panel.



- Route audio harness along chassis harness, behind close-off panel. Use three cable ties at taped locations 3E.



- Attach harness to vehicle frame with two edge clips 3D.

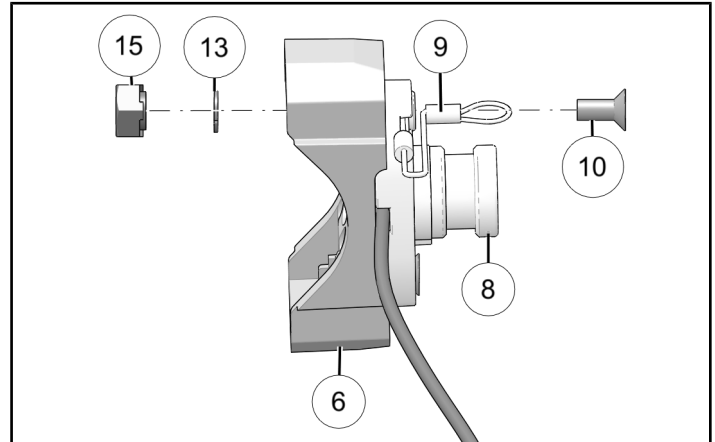


ACCESSORY INSTALLATION

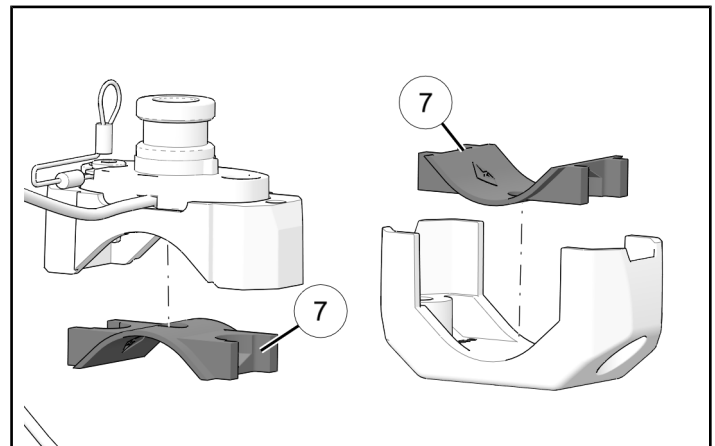
NOTE

Left-hand audio pod shown; right-hand similar.

- Install bottom collar ⑥ onto clamp mount ⑧ with two fasteners ⑩. Pass one fastener through retaining wire ⑨. Ensure audio pod harness routes through center of clamp collar and through slot in clamps, as shown.

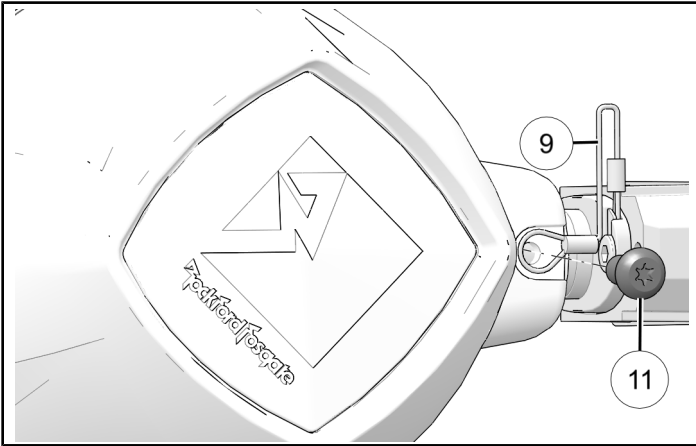


- Each clamp comes with two sets of rubber collar inserts. Select the set designed to be used on ROPS ranging from 1-3/8 in. to 2 in. diameter. Install rubber collar insert ⑦ into each clamp collar.



- Connect audio pod harness ⑫ to audio pod.

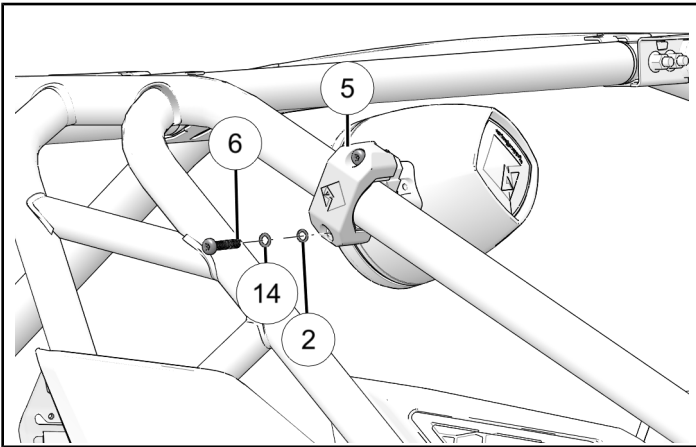
4. Insert clamp mount into audio pod. Pass one clamp fastener ⑪ through retaining wire ⑨ and secure clamp mount to audio pod.



5. Position audio pod to desired height on rear ROPS. Align top collar ⑤ over bottom collar and secure with two clamp fasteners ⑥ and four washers ⑭ and ②.

TORQUE

Clamp Fasteners ⑥:
96 in-lbs (11 N·m)



6. Join audio pod harness to rear audio harness and rear speakers (if equipped).
7. Apply decal ⑰ to back of audio pod assembly.

VEHICLE REASSEMBLY

GENERAL

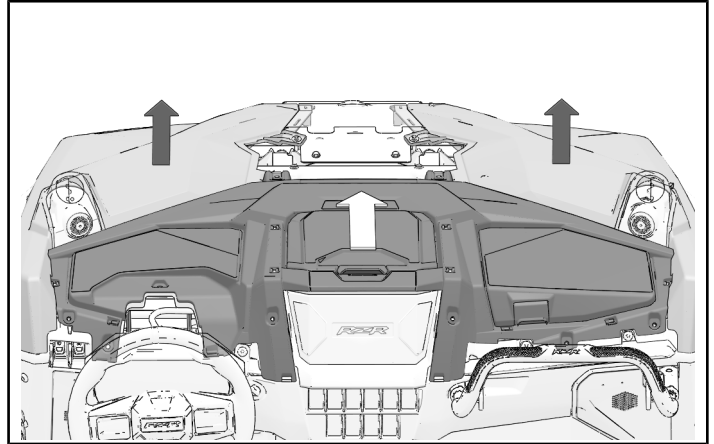
1. Verify audio pods operate properly before proceeding with reassembling vehicle.

DASHBOARD TOP INSTALLATION

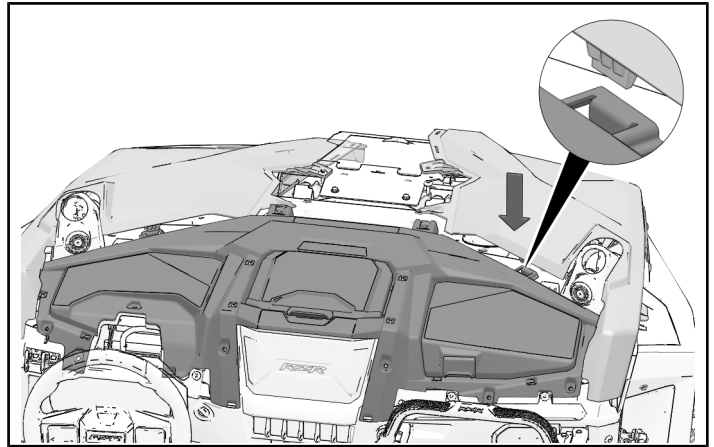
1. Carefully lift panels up-and-away from tabs and install dashboard top into place by tilting rear section up and installing front section first, then lower rear section into place.

TIP

Two people are recommended to complete this step.



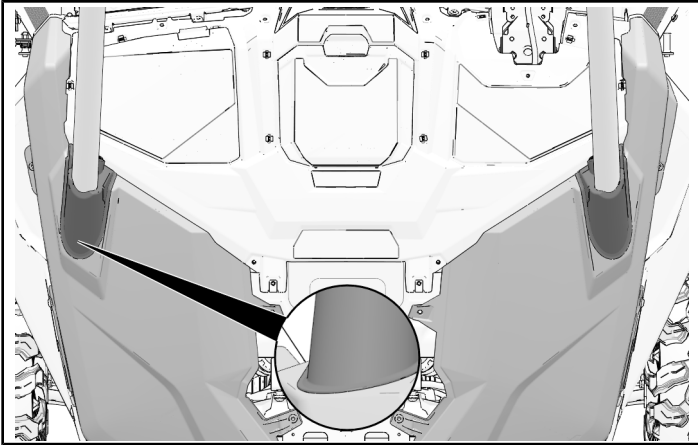
2. Make sure tabs on panels are aligned in slots on dashboard top. (Passenger-side panel shown; driver-side panel similar.)



3. Make sure both rubber boots are properly seated around hood panels. Only upper lip should be visible, as shown with inset.

TIP

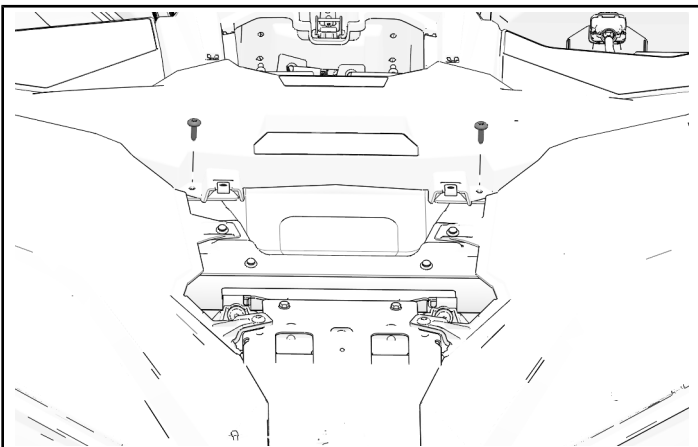
Push up on inside of fender to ease installation.



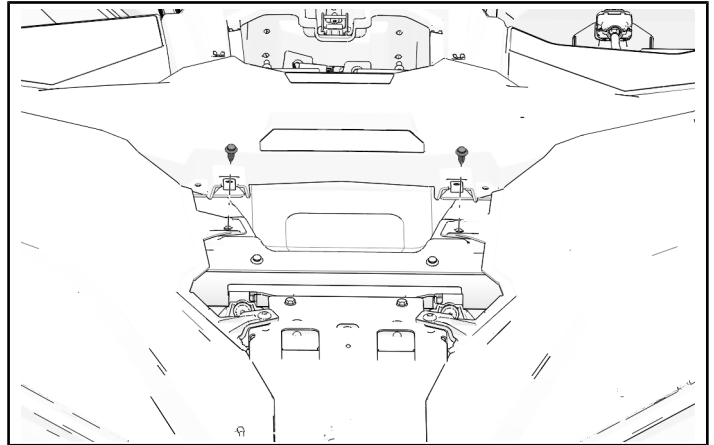
4. Reinstall two retained front dashboard fasteners into front edge of top dashboard.

TORQUE

Front Dashboard Fasteners:
88 in-lbs (10 N·m)



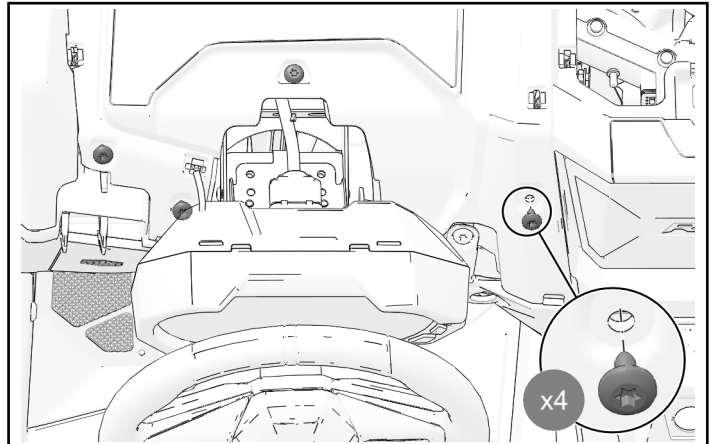
5. Install hood panels to vehicle with two retained push-pin rivets



6. Tilt steering wheel down. Install four retained screws through dashboard top and torque to specification.

TORQUE

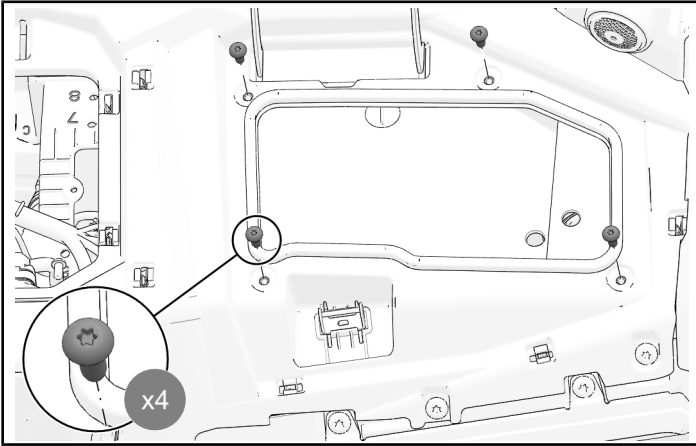
Dashboard Fasteners:
88 in-lbs (10 N·m)



- Open glove box lid and reinstall storage compartment. Install four retained dashboard fasteners around glove box opening.

TORQUE

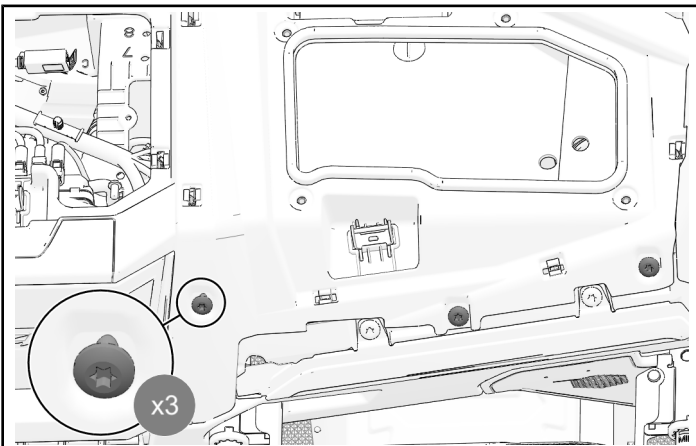
Dashboard Fasteners:
88 in-lbs (10 N·m)



- Install front of dashboard with three retained dashboard fasteners.

TORQUE

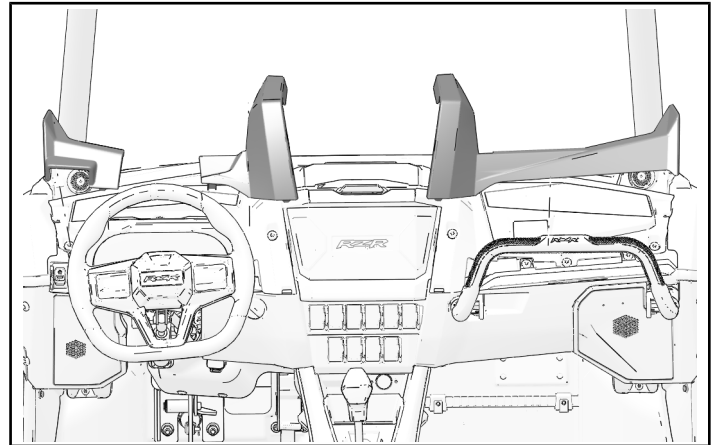
Dashboard Fasteners:
88 in-lbs (10 N·m)



- Install retained left, center, and right dashboard trim pieces.

TIP

Release steering tilt lock for improved access.

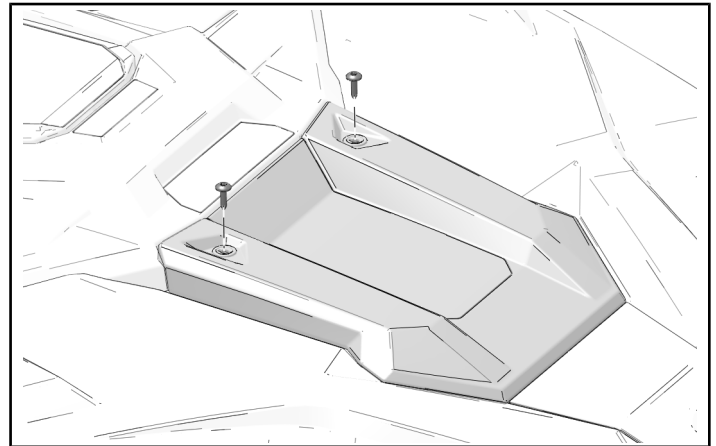


CENTER HOOD PANEL INSTALLATION

- Move panel forward until tabs slide into front hood panel and install with two hood fasteners.

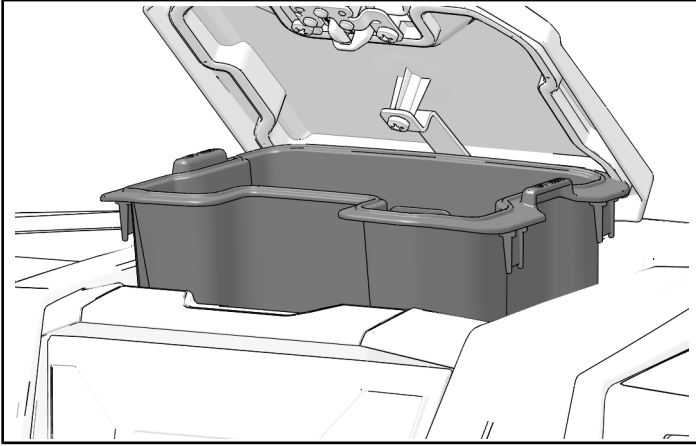
TORQUE

Hood Fasteners:
88 in-lbs (10 N·m)



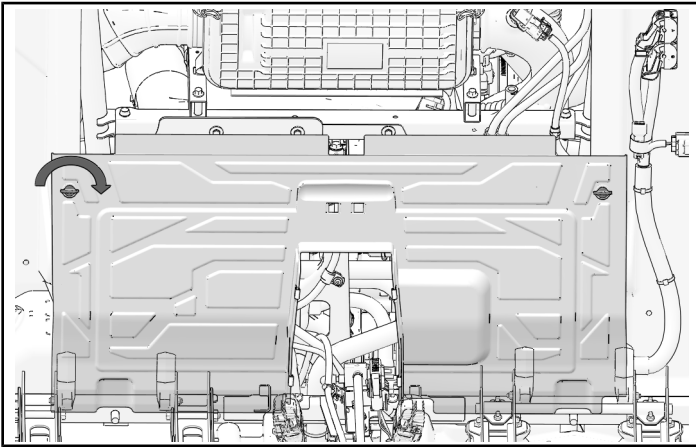
DASHBOARD STORAGE INSTALLATION

1. Slide storage compartment into dashboard cavity.

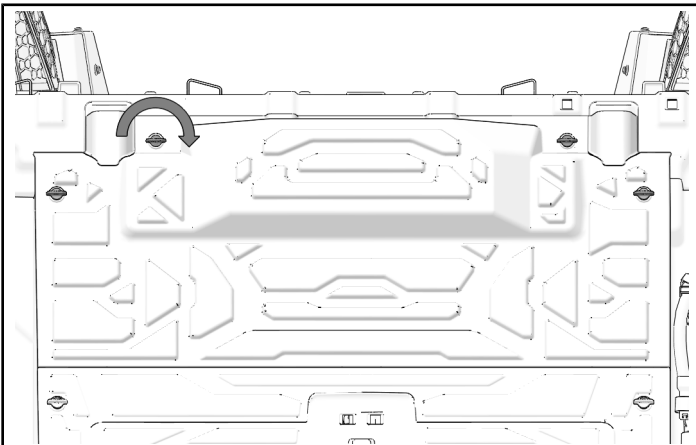


CLOSE-OFF PANEL INSTALLATION

1. Turn each knob 1/4 to securely engage with back panel.



2. Turn each knob 1/4 to securely engage with back panel.



REAR INTERIOR REASSEMBLY

REAR SEAT PANEL INSTALLATION

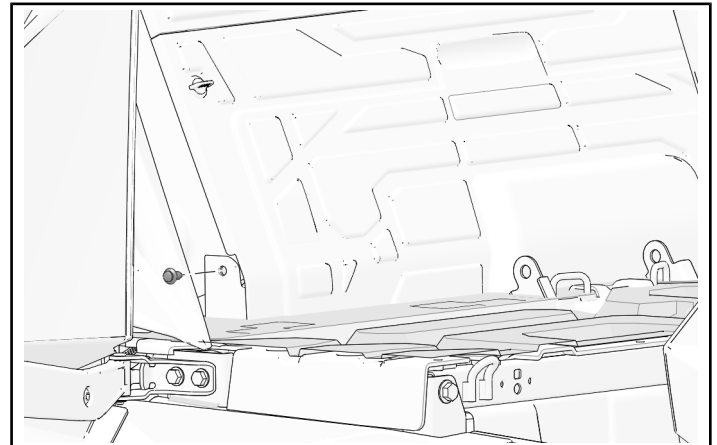
1. Position rear seat panel in vehicle and install with eleven seat panel fasteners.

TORQUE

Seat Panel Fasteners:
89 in-lbs (10 N·m)



2. Reinstall one push-pin rivet in right-rear of seat panel.

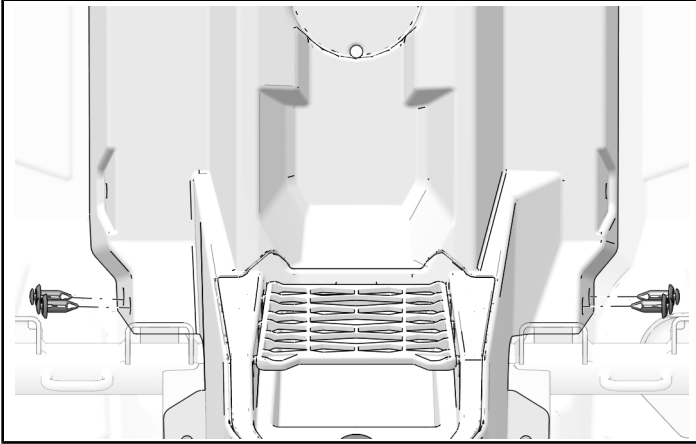


REAR CENTER CONSOLE ASSEMBLY

IMPORTANT

Note size difference of fasteners installed in steps 2 and 3.

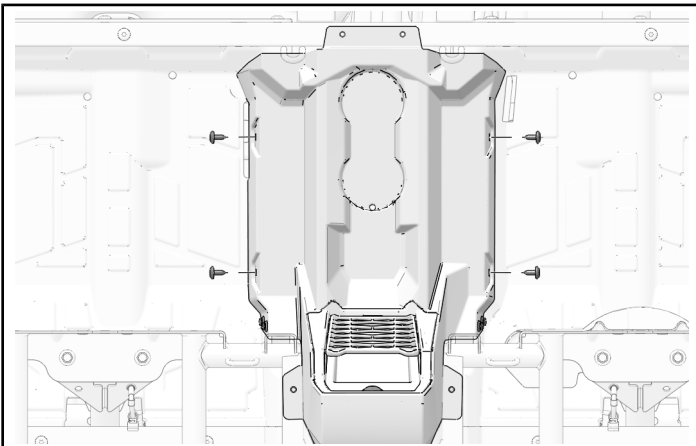
1. Align rear center console with front center console.
2. Install front portion with four retained push-pin rivets.



3. Install sides with four center console side fasteners (shorter).

TORQUE

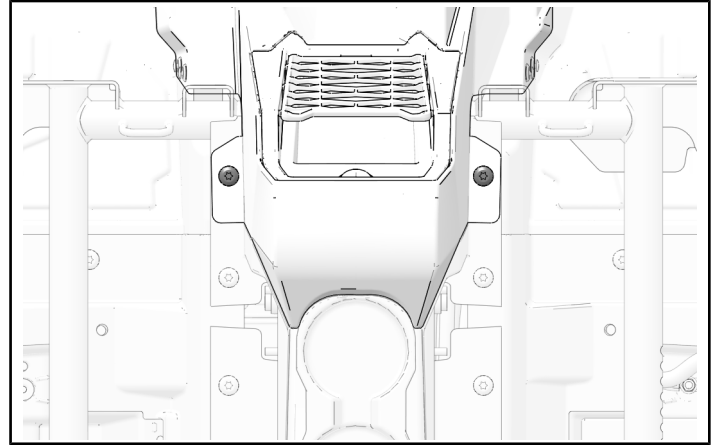
Center Console Fasteners (Shorter):
89 in-lbs (10 N·m)



4. Install to front-center console with two center console top fasteners (longer).

TORQUE

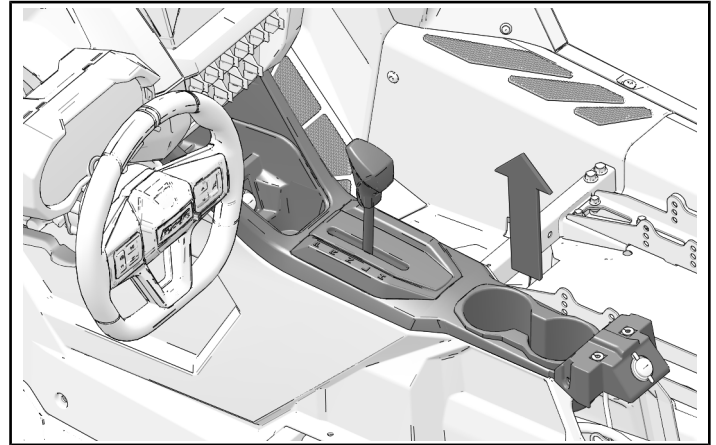
Center Console Fasteners (Longer):
89 in-lbs (10 N·m)



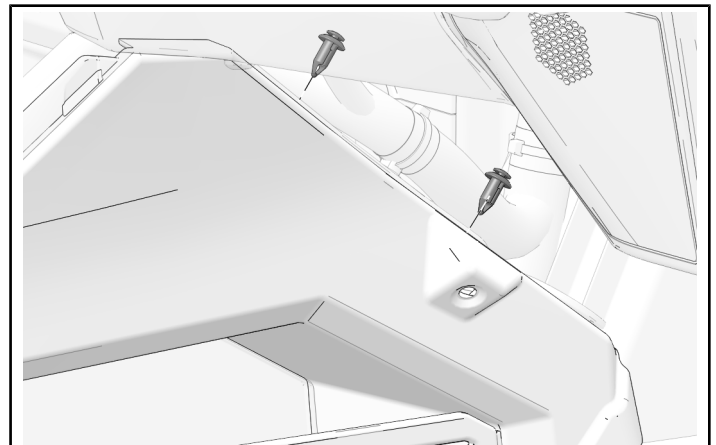
FRONT CENTER CONSOLE REASSEMBLY

RIGHT-HAND PANEL INSTALLATION

1. Carefully lift center panel upwards and position side panels for installation.



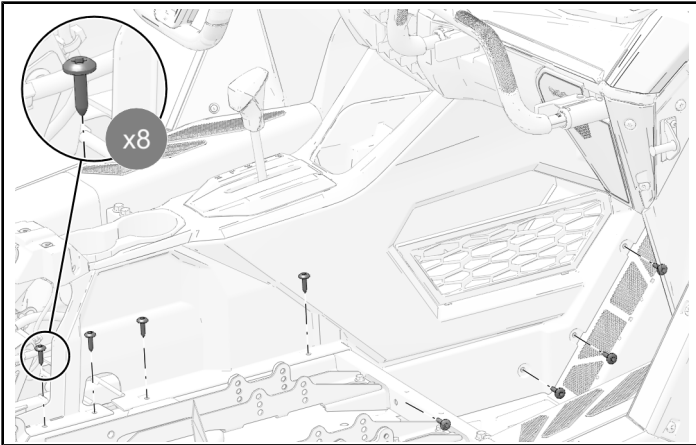
2. Install two push-pin rivets .



3. Install passenger side panel with eight retained center console fasteners and one push-pin rivet.

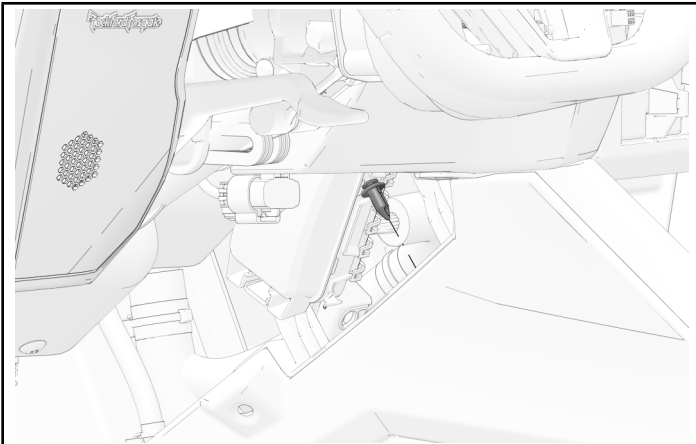
TORQUE

Center Console Fasteners:
89 in-lbs (10 N·m)



LEFT-HAND PANEL INSTALLATION

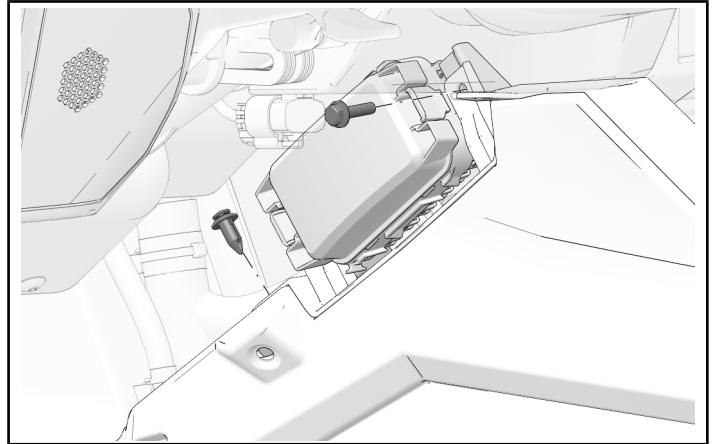
1. Install push-pin rivet.



2. Install retained push-pin rivet and fuse block fastener. Torque two fuse block fasteners to specification.

TORQUE

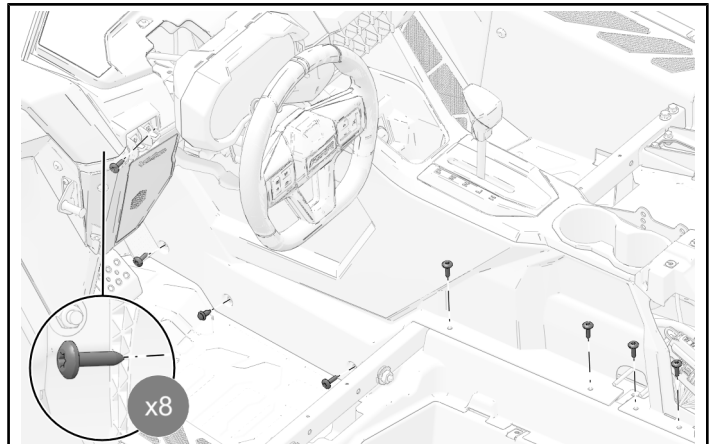
Fuse Block Fasteners:
31 in-lbs (3.5 N·m)



3. Install driver side panel with eight retained center console fasteners and one push-pin rivet.

TORQUE

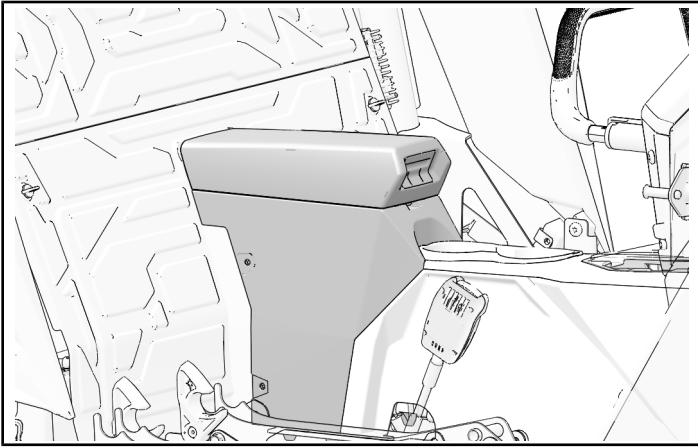
Center Console Fasteners:
89 in-lbs (10 N·m)



STORAGE COMPARTMENT INSTALLATION

Storage Compartment Installation applies to two-passenger vehicles only.

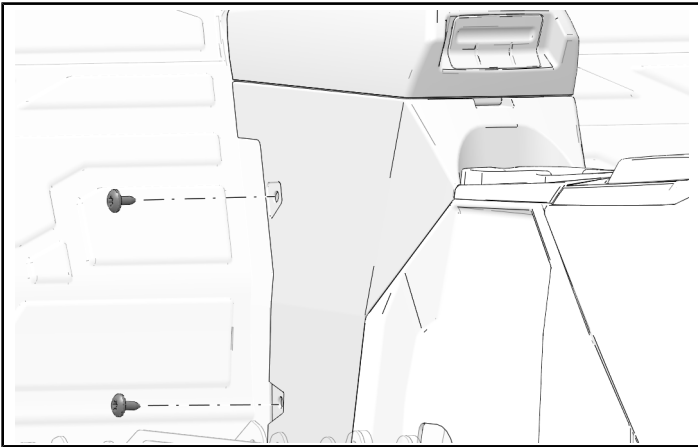
1. Position console storage compartment for installation.



2. Install console storage compartment with two retained center console fasteners from passenger side.

TORQUE

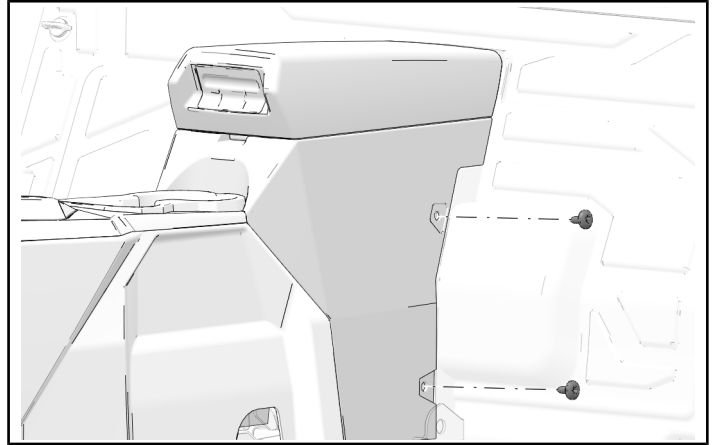
Center Console Fasteners:
89 in-lbs (10 N·m)



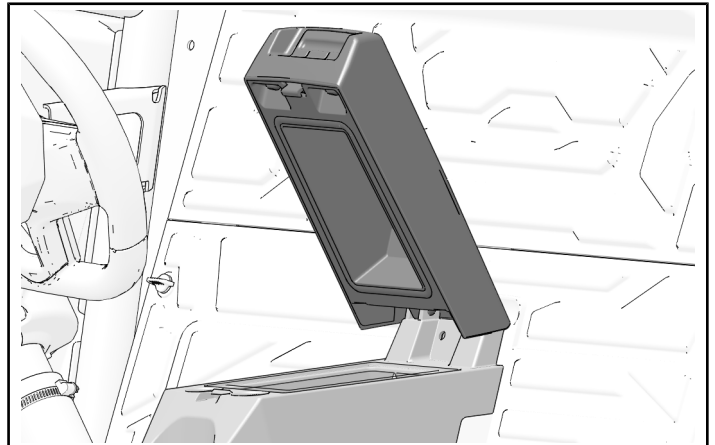
3. Install console storage compartment with two retained center console fasteners from driver side.

TORQUE

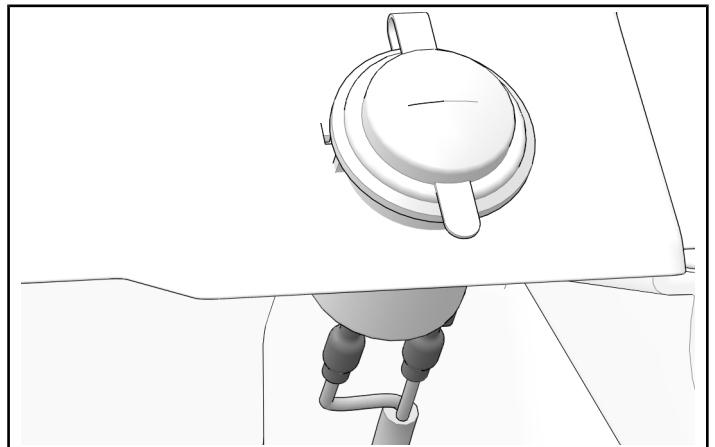
Center Console Fasteners:
89 in-lbs (10 N·m)



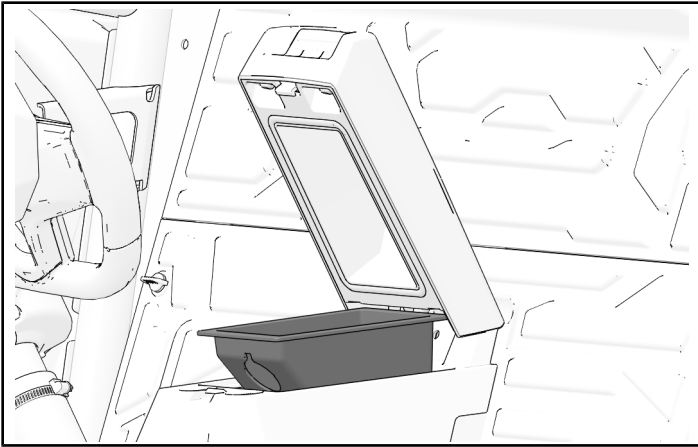
4. Open center console.



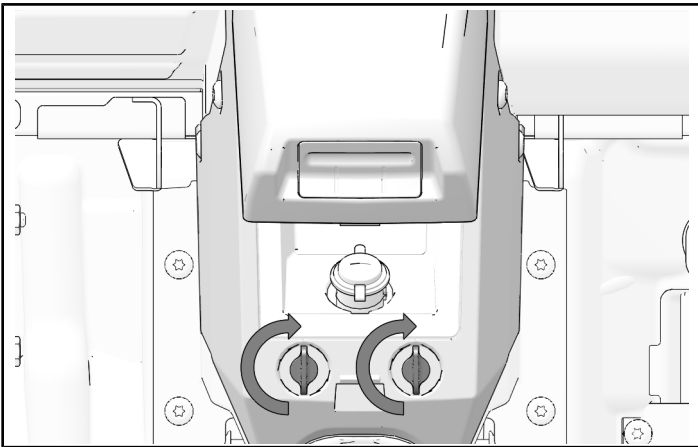
5. Connect 12 volt outlet from within center console cavity.



6. Install storage compartment.



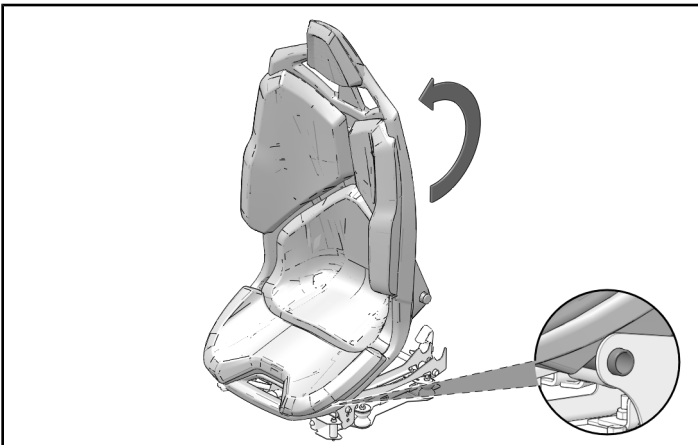
7. Turn each knob 1/4 to engage with center console panel.



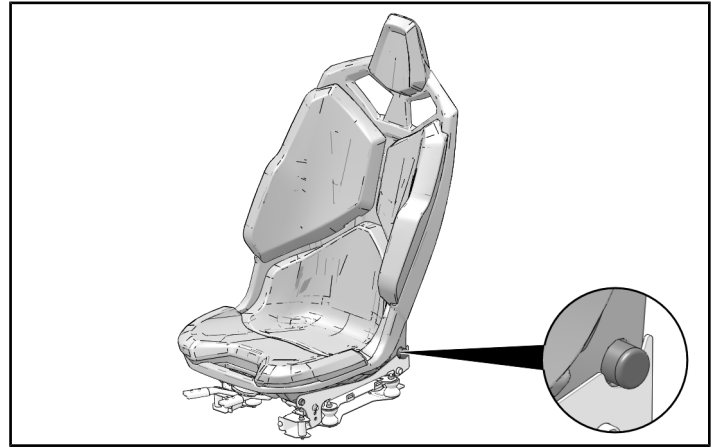
SEAT INSTALLATION

FRONT SEAT INSTALLATION

1. Tilt seat towards steering wheel and hook seat base onto front receiver tubes.



2. Lower seat onto rear receiver tubes.



REAR SEAT INSTALLATION

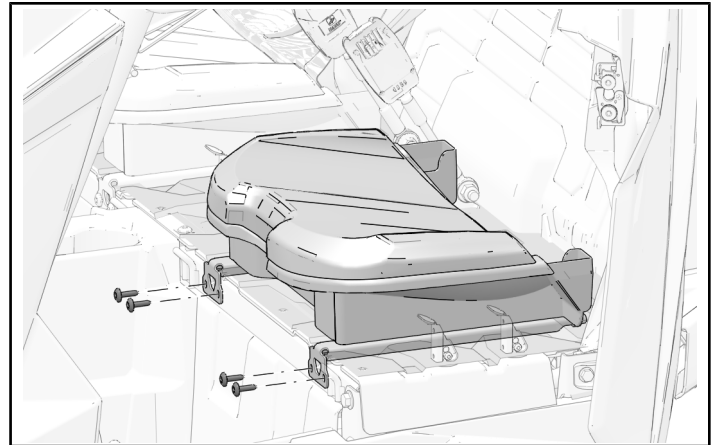
NOTICE

Left rear seat shown; right rear similar.

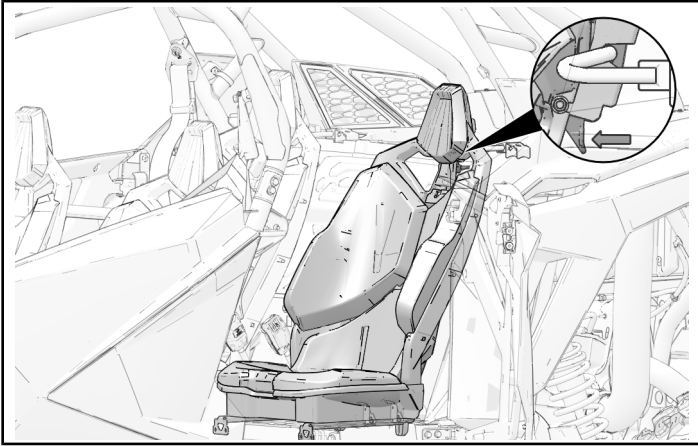
1. Install seat base with four seat bracket fasteners.

TORQUE

Seat Bracket Fasteners:
71 in-lbs (8 N·m)



2. Position backrest assembly into seat base and lean back until headrest engages with receiver tube.



TRAIL MODELS ONLY

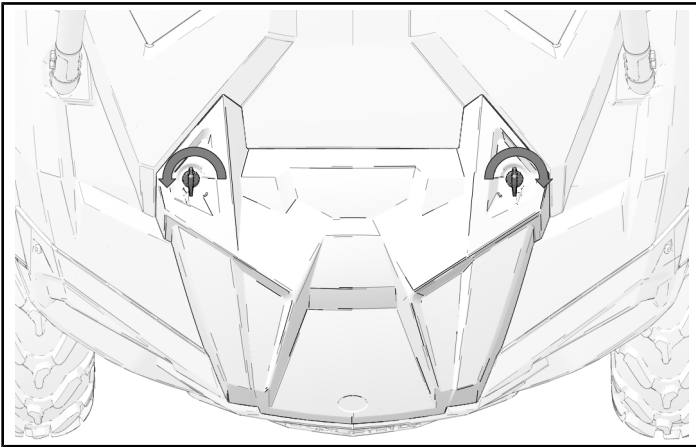
VEHICLE PREPARATION

GENERAL

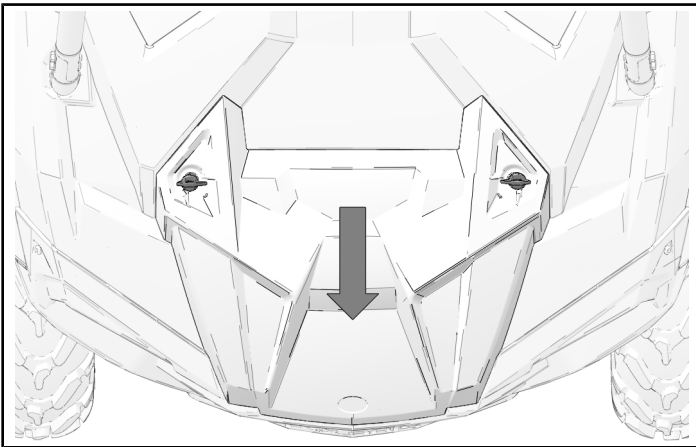
1. Park vehicle on a flat surface.
2. Shift vehicle into PARK.
3. Turn key to OFF position and remove key.

CENTER HOOD PANEL REMOVAL

1. Turn quarter-turn fasteners to unlock hood from vehicle.

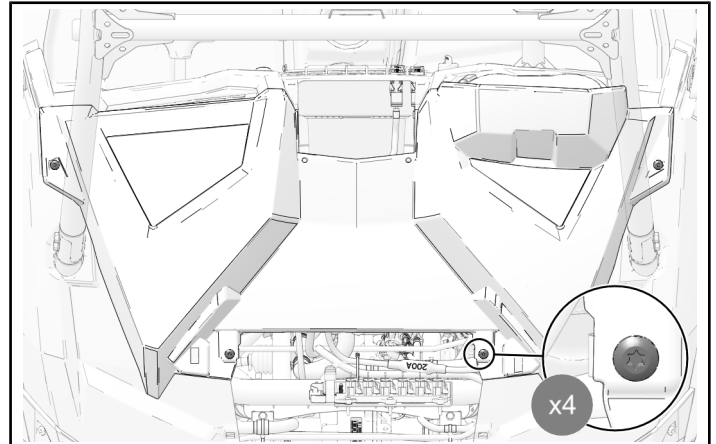


2. Move hood forward to remove from vehicle.

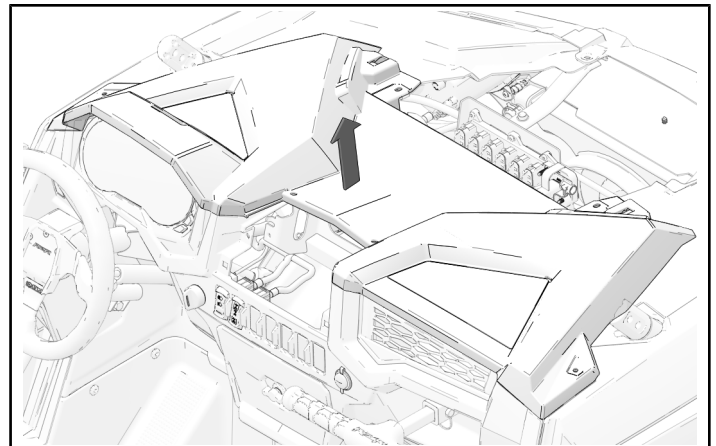


DASHBOARD TOP REMOVAL

1. Remove four dashboard fasteners.



2. Lift dashboard upwards to remove from vehicle.

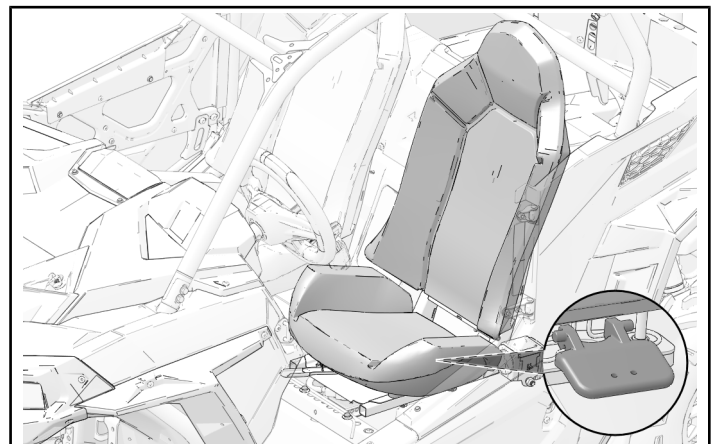


SEAT REMOVAL

NOTICE

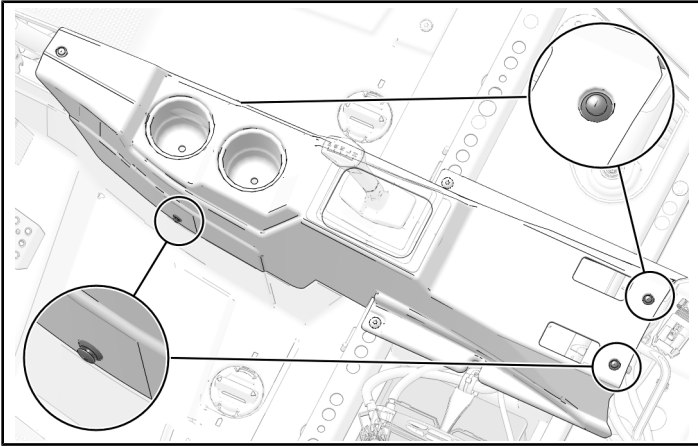
Driver seat shown; passenger seat similar.

1. Reach between seat and backrest. Pull up on lever, located behind seat to disengage seat latch.

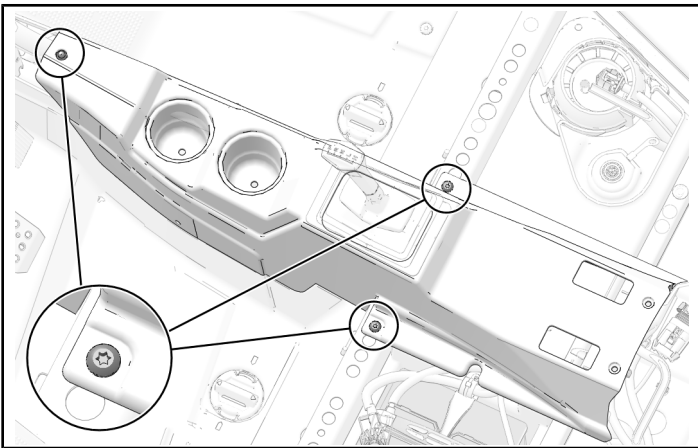


CENTER CONSOLE REMOVAL

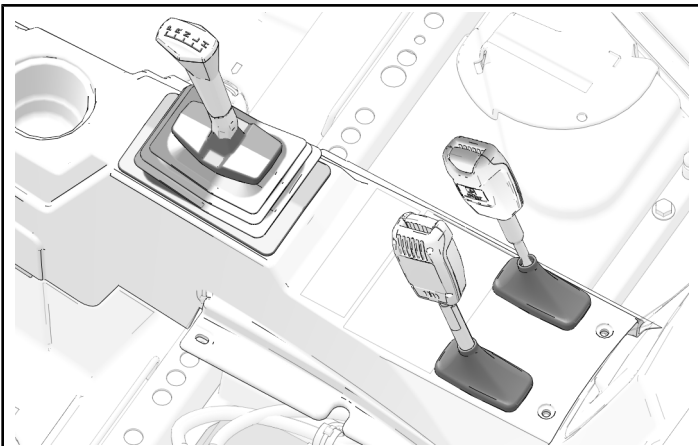
1. Remove and keep four push-pin rivets.



2. Remove and keep three console fasteners.



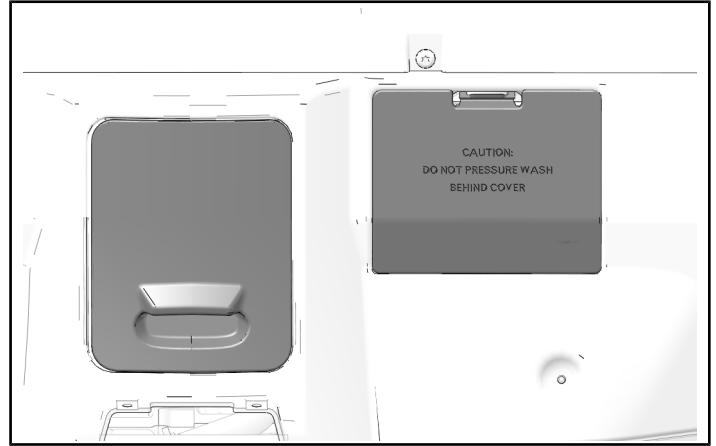
3. Push shifter boot and seat belt boots into center console while lifting console upwards to remove.



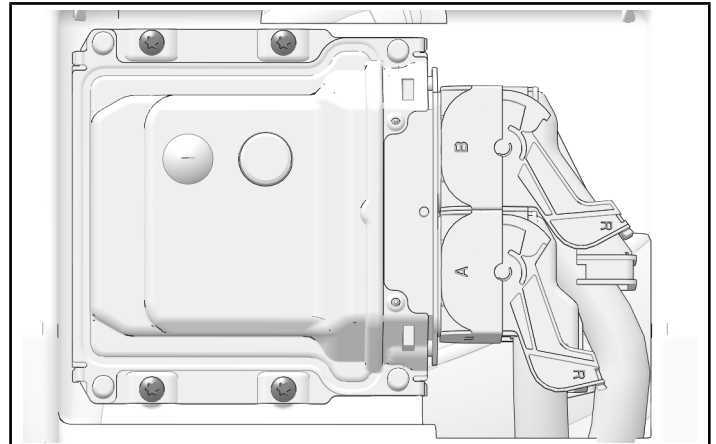
4. Remove center console from vehicle.

CLOSE-OFF PANEL REMOVAL

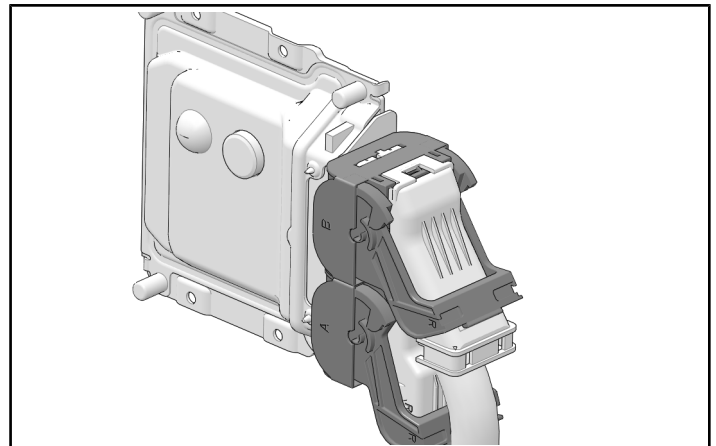
1. Remove and keep two access panels.



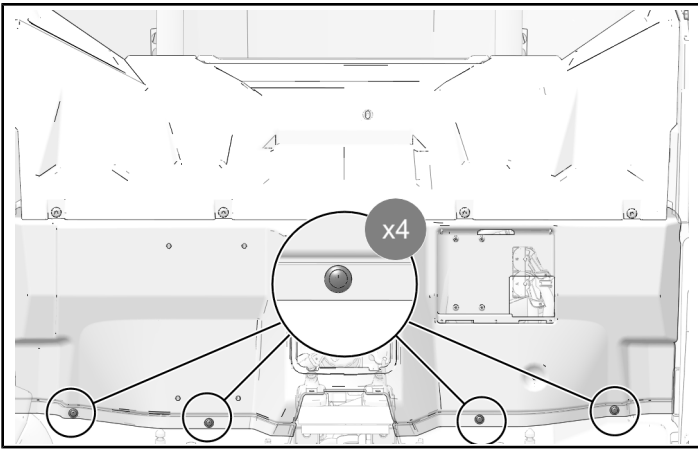
2. Remove and keep four fasteners holding the ECM to the close-off panel.



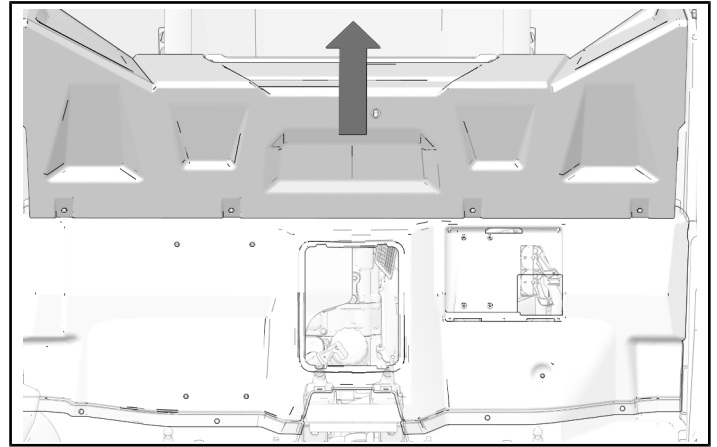
3. Lift levers up to disengage connectors.



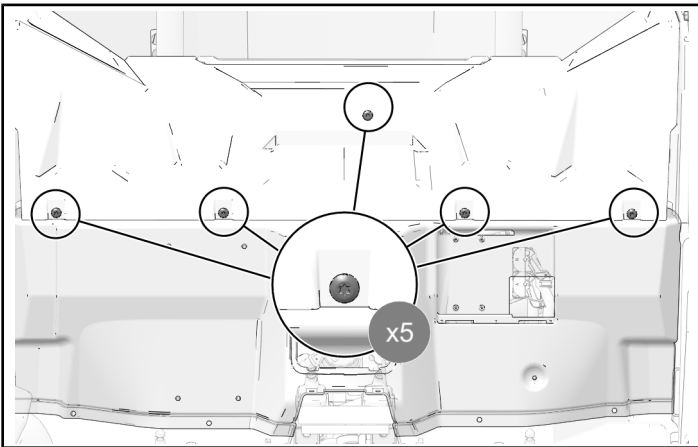
4. Remove and keep four push-pin rivets.



7. Lift upper close-off panel to remove lower close-off panel.

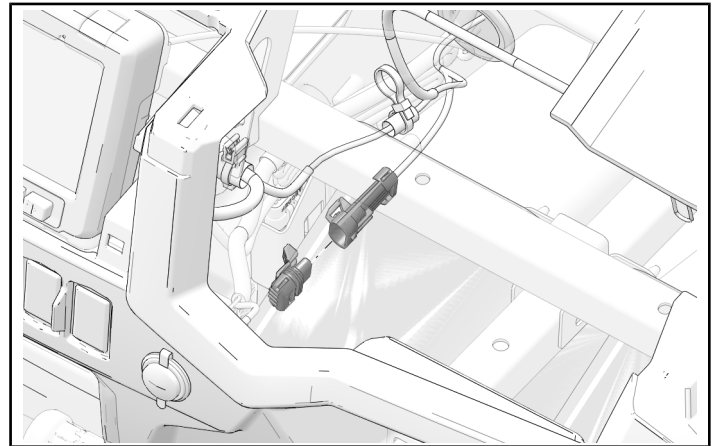


5. Remove and keep five close-off fasteners.

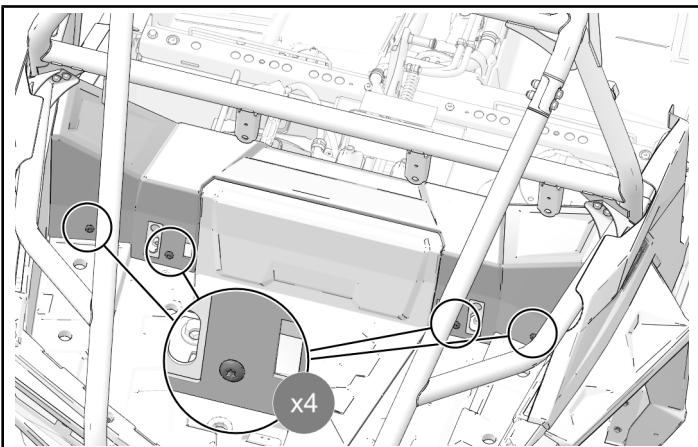


REAR AUDIO HARNESS ROUTING

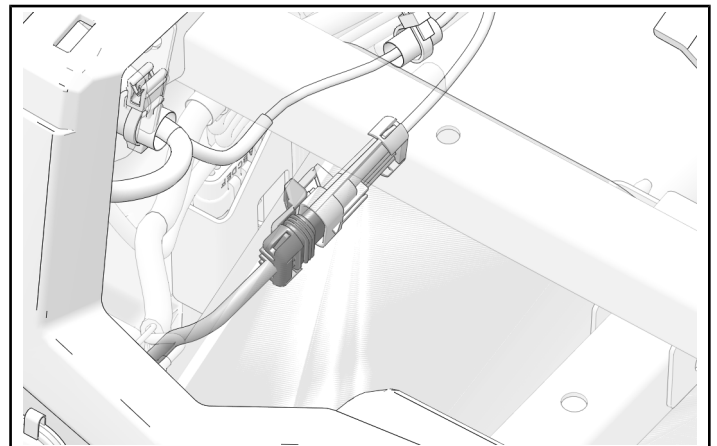
1. Remove and discard cap from rear audio connector.



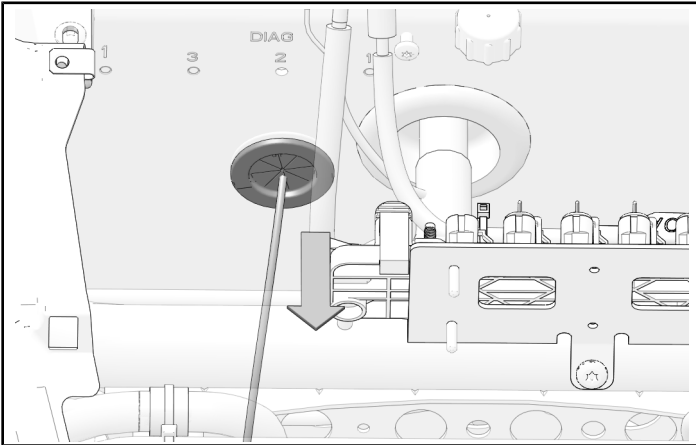
6. Remove and keep four rear close-off fasteners.



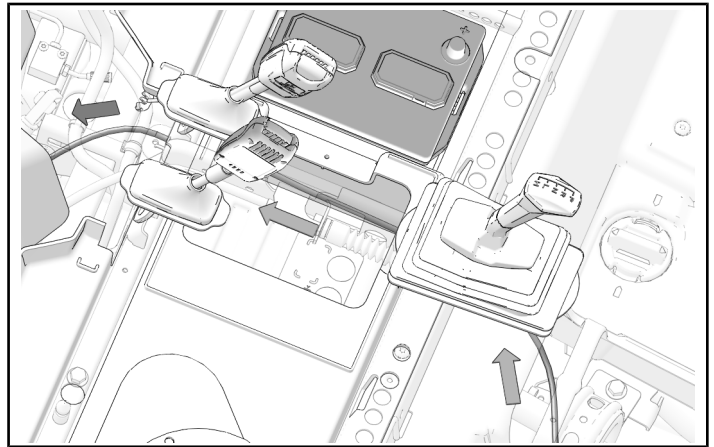
2. Install rear audio harness to rear audio connector.



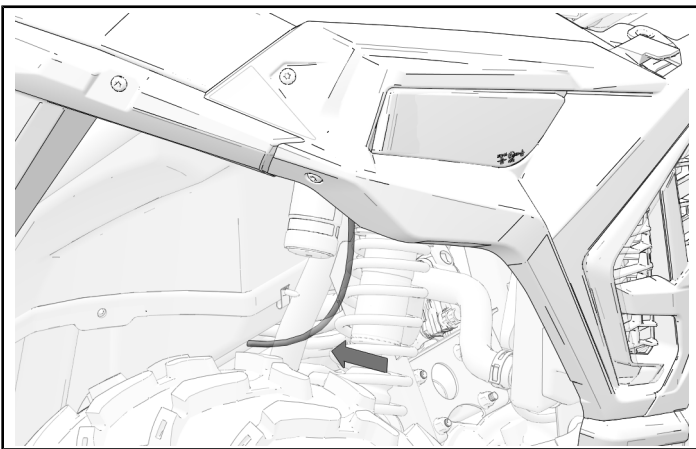
3. Put two rear speaker pod connectors through firewall grommet toward front of vehicle.



6. Install harness around shifter assembly and between seat belt buckles.

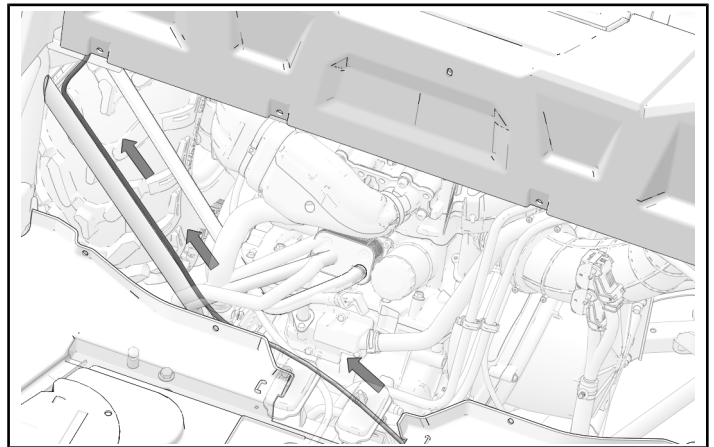


4. Put connectors through tunnel opening.

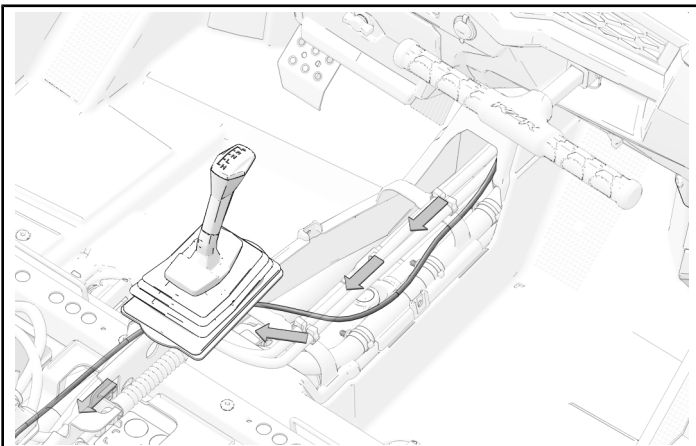


7. Pull harness out from lower close-off and install to frame tube with cable ties (sold separately).

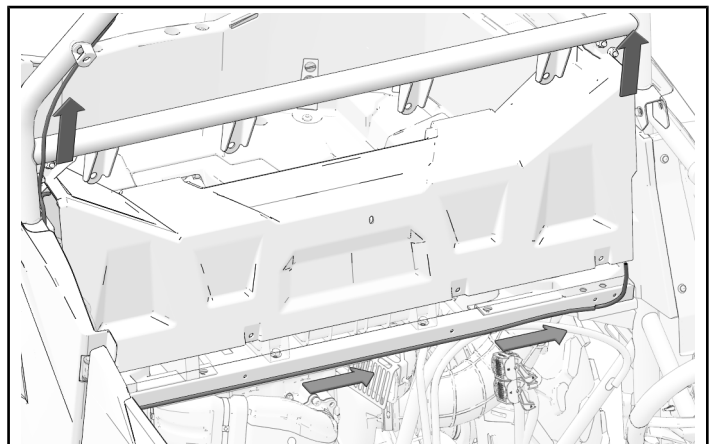
IMPORTANT
Install harness away from moving parts and heat sources.



5. Install rear audio harness to chassis electrical harness in tunnel with cable ties (sold separately).



8. Install rear audio harness along horizontal chassis tube, behind upper close-off panel, with cable ties (sold separately), as shown.

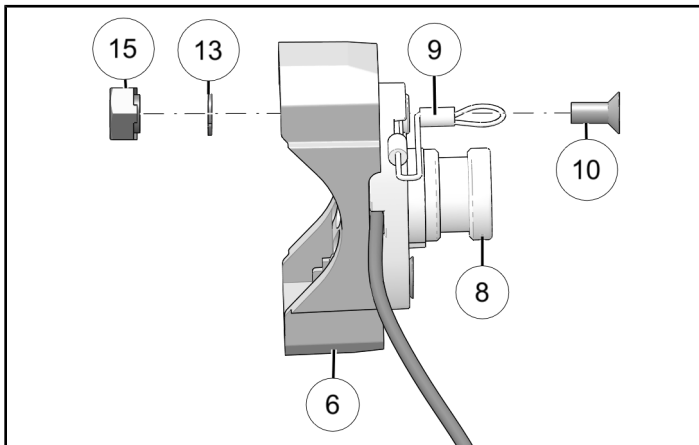


ACCESSORY INSTALLATION

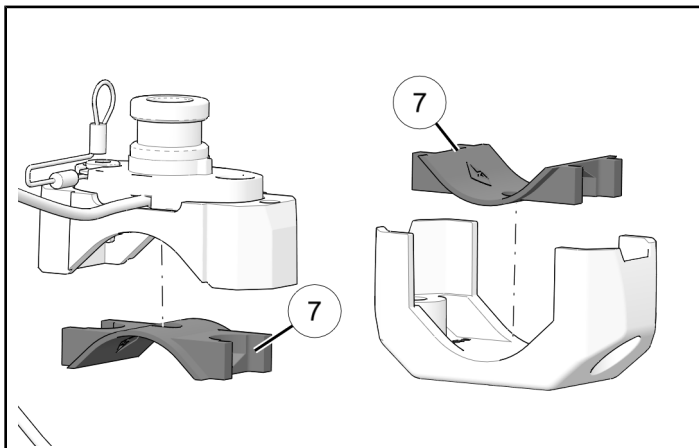
NOTE

Left-hand audio pod shown; right-hand similar.

1. Install bottom collar ⑥ onto clamp mount ⑧ with two fasteners ⑩. Pass one fastener through retaining wire ⑨. Ensure audio pod harness routes through center of clamp collar and through slot in clamps, as shown.

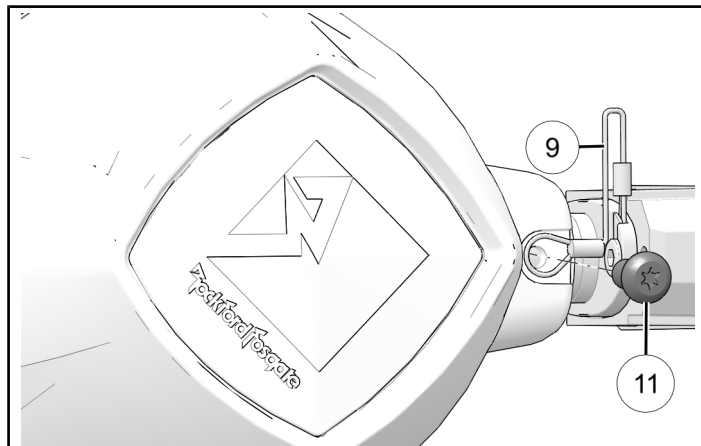


2. Each clamp comes with two sets of rubber collar inserts. Select the set designed to be used on ROPS ranging from 1-3/8 in. to 2 in. diameter. Install rubber collar insert ⑦ into each clamp collar.



3. Connect audio pod harness ⑫ to audio pod.

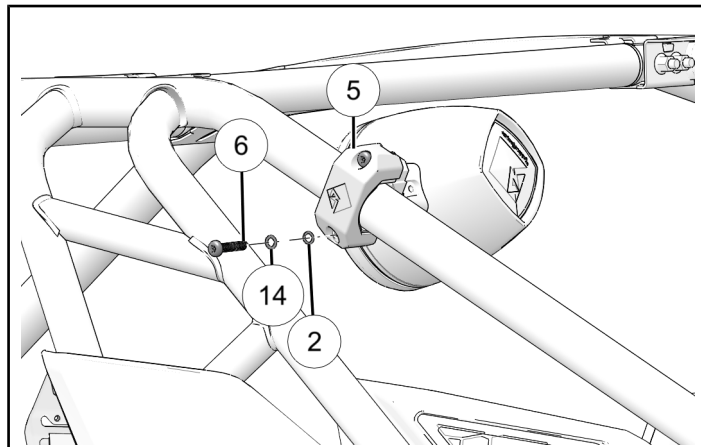
4. Insert clamp mount into audio pod. Pass one clamp fastener ⑪ through retaining wire ⑨ and secure clamp mount to audio pod.



5. Position audio pod to desired height on rear ROPS. Align top collar ⑤ over bottom collar and secure with two clamp fasteners ⑥ and four washers ⑭ and ②.

TORQUE

Clamp Fasteners ⑥:
96 in-lbs (11 N·m)



6. Join audio pod harness to rear audio harness and rear speakers (if equipped).
7. Apply decal ⑰ to back of audio pod assembly.

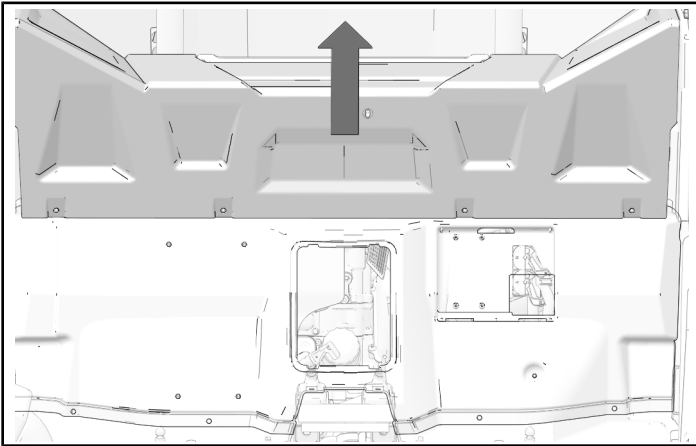
VEHICLE REASSEMBLY

GENERAL

1. Verify audio pods operate properly before proceeding with reassembling vehicle.

CLOSE-OFF PANEL INSTALLATION

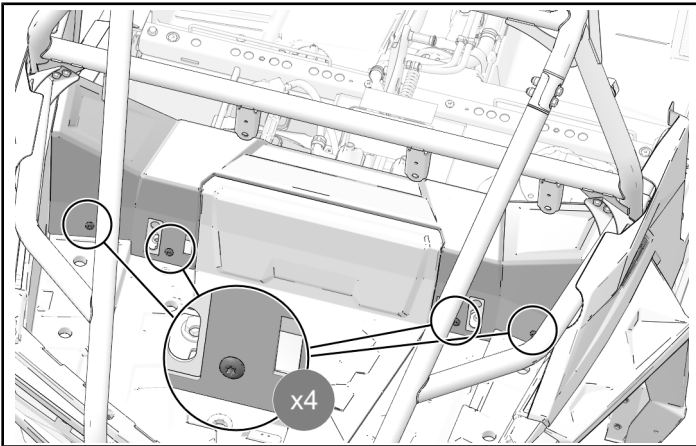
1. Lift upper close-off panel to put lower close-off panel in installed position.



2. Install four close-off fasteners. Torque fasteners to specification.

TORQUE

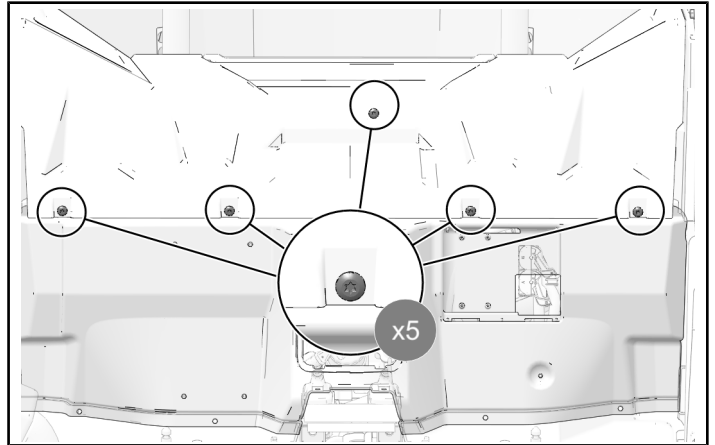
Close-Off Fasteners:
8 ft-lbs (11 N·m)



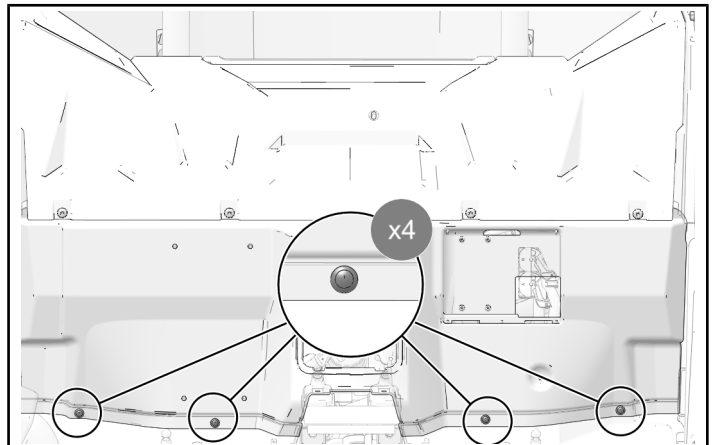
3. Install five close-off fasteners. Torque fasteners to specification.

TORQUE

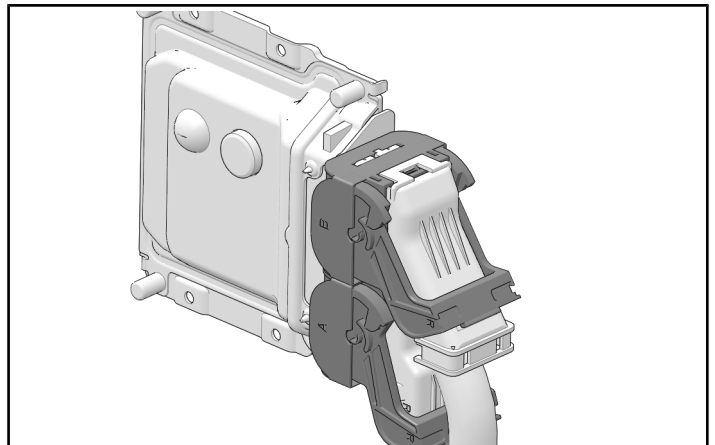
Close-Off Fasteners:
8 ft-lbs (11 N·m)



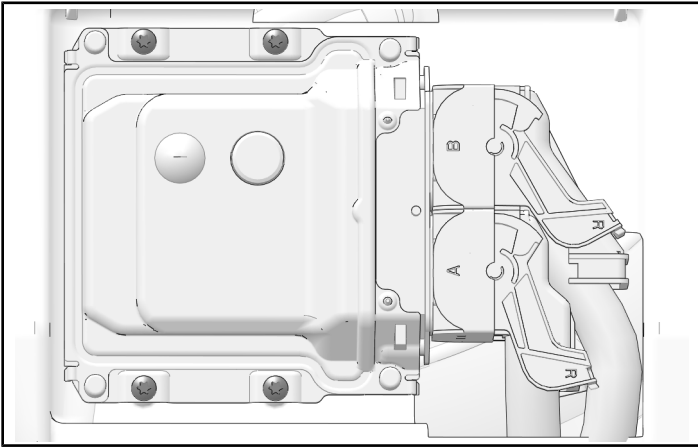
4. Install four push-pin rivets.



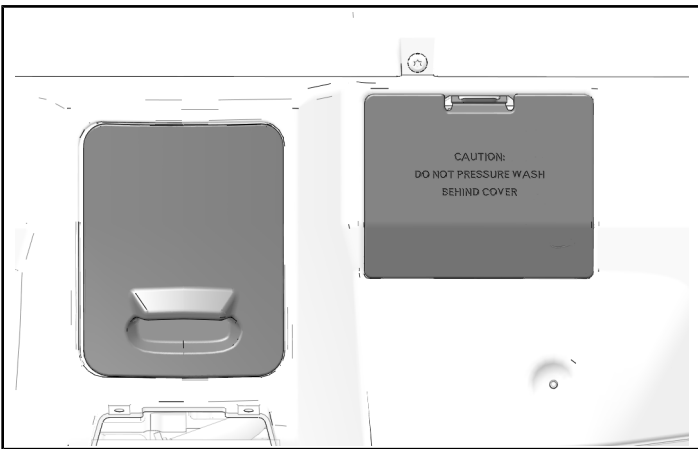
5. Install two ECM connectors.



6. Install ECM to close-off panel with four retained fasteners. Torque fasteners until fully seated.



7. Install two access panels.

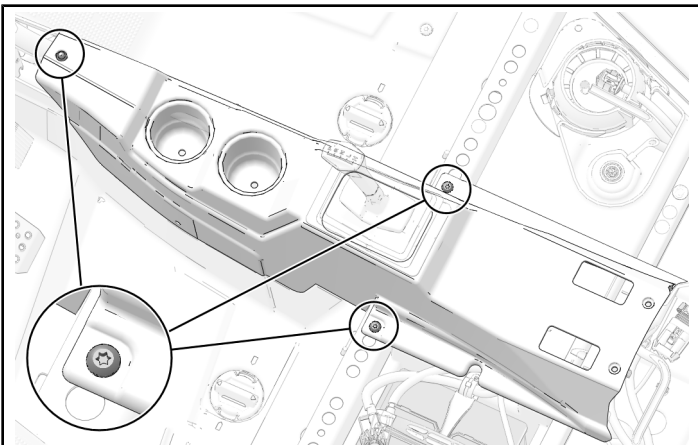


CENTER CONSOLE INSTALLATION

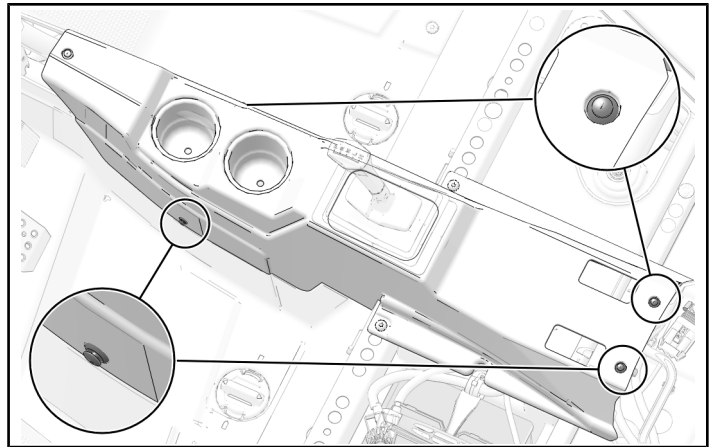
1. Put the center console in the vehicle.
2. Install three console fasteners. Torque fasteners to specification

TORQUE

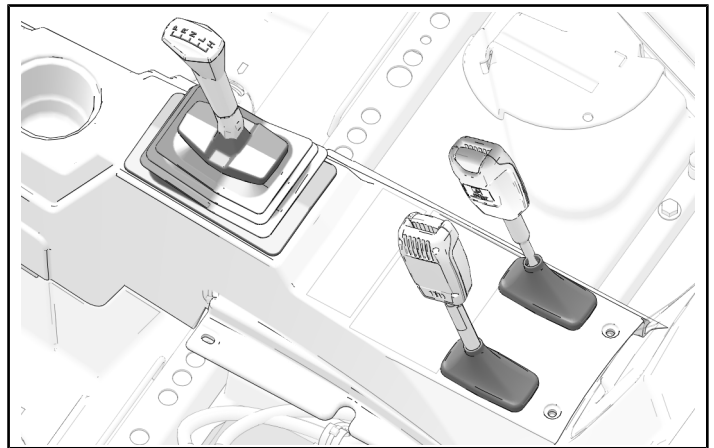
Console Fasteners:
8 ft-lbs (11 N·m)



3. Install four push-pin rivets.



4. Pull shifter boot and seat belt buckle boots through center console openings and make sure they are properly seated.

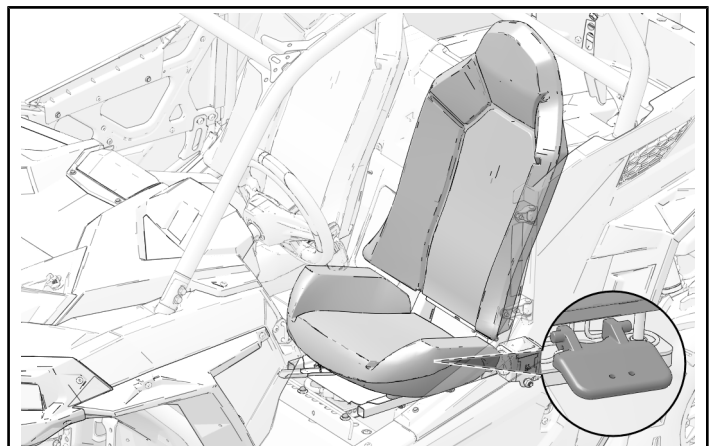


SEAT INSTALLATION

NOTICE

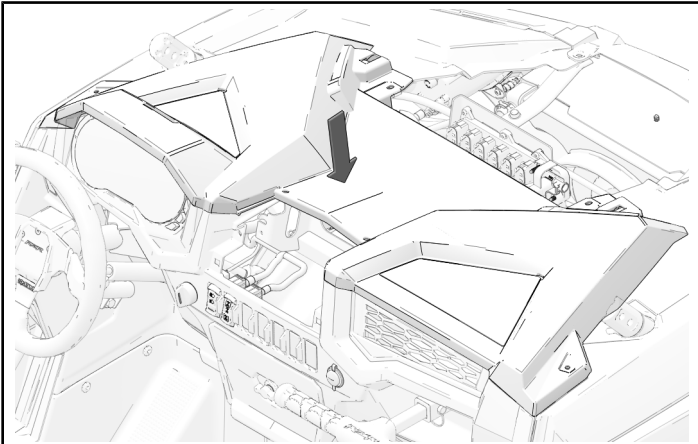
Driver seat shown; passenger seat similar.

1. Put seat in installed position. Align latch with plunger on vehicle.



DASHBOARD TOP INSTALLATION

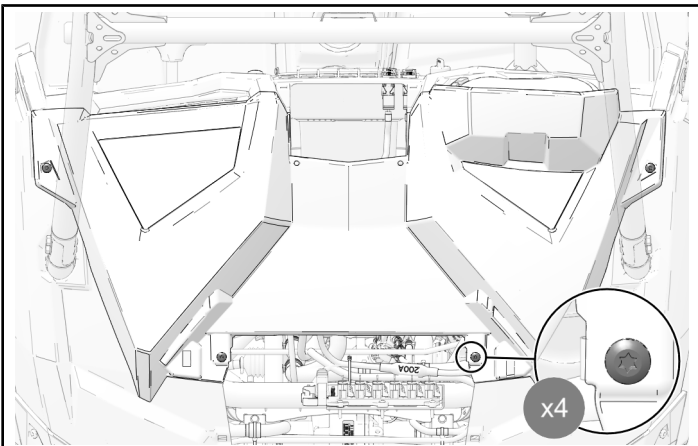
1. Install dashboard on top of front dashboard panel. Make sure top dashboard clips engage with front dashboard.



2. Install dashboard with four dashboard fasteners.

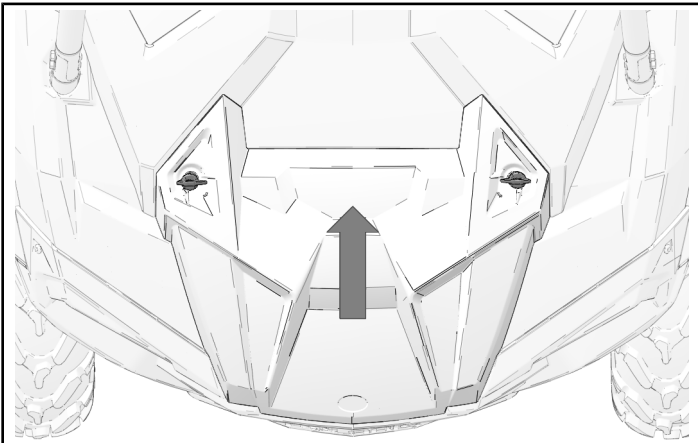
TORQUE

Dashboard Fasteners:
8 ft-lbs (11 N·m)

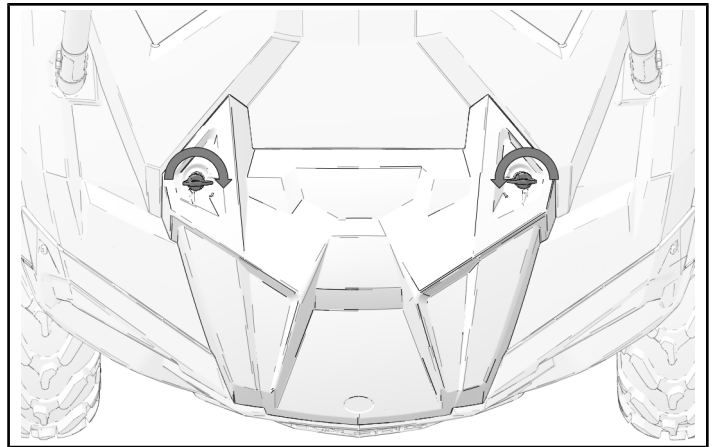


CENTER HOOD PANEL INSTALLATION

1. Move hood rearward.



2. Turn quarter-turn fasteners to lock hood to vehicle.



FEEDBACK FORM

A feedback form has been created for the installer to provide any comments, questions or concerns about the installation instructions. The form is viewable on mobile devices by scanning the QR code or by clicking [HERE](#) if viewing on a PC.

