

BASE AUDIO KIT



P/N 2883943

APPLICATION

Verify accessory fitment at www.polaris.com.

BEFORE YOU BEGIN

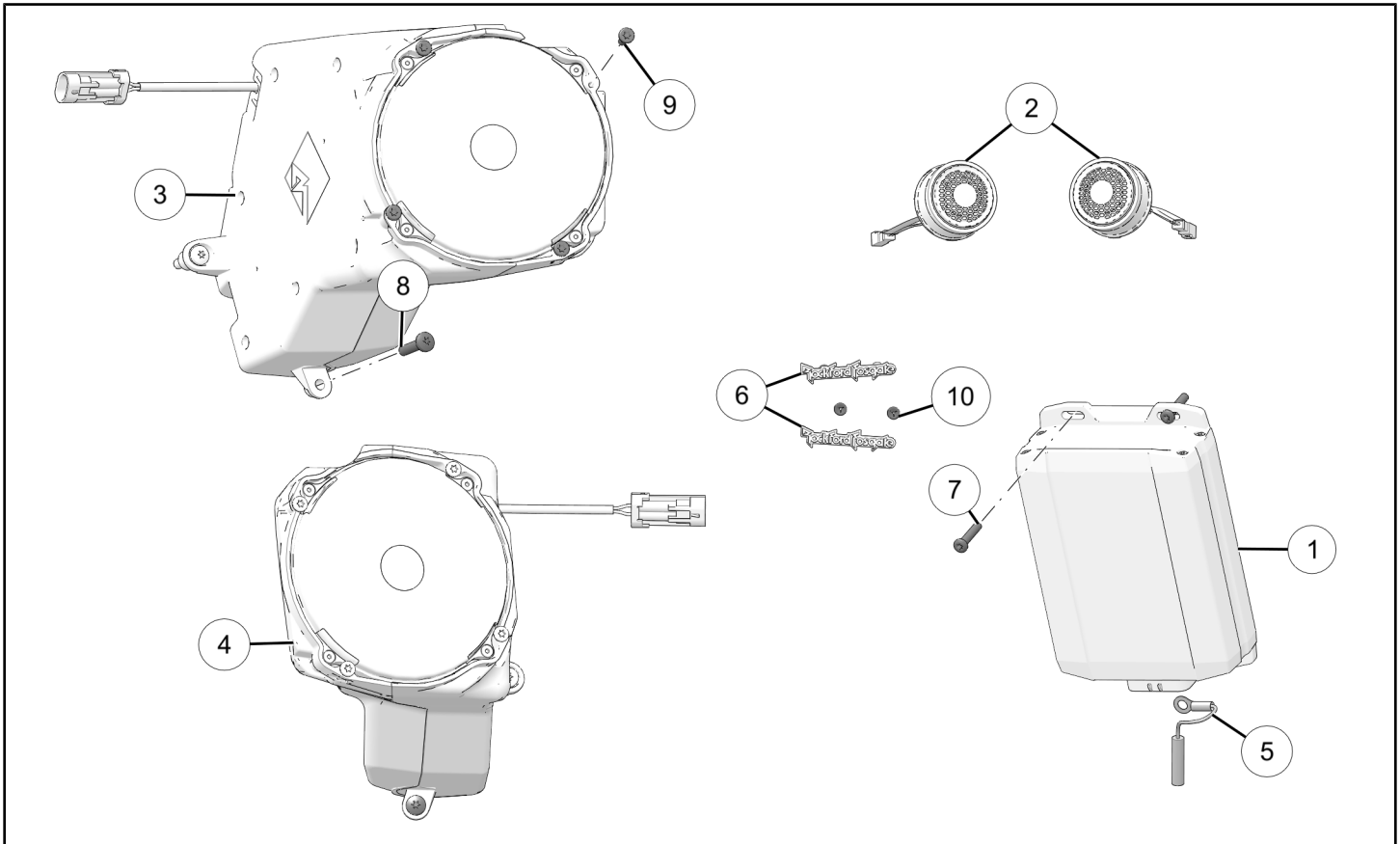
Read these instructions and check to be sure all parts and tools are accounted for. Please retain these installation instructions for future reference and parts ordering information.

REQUIRED SOLD SEPARATELY

Only parts for installation of the Base Audio Kit are included. Prior installation of one of the following additional kits is required (sold separately):

- *PMX Audio Kit By Rockford Fosgate®*, P/N 2883964
- *Ride Command® Mount Kit*, P/N 2884073 and *Ride Command® Display Kit*, P/N 2884072

KIT CONTENTS



REF	QTY	PART DESCRIPTION	P/N AVAILABLE SEPARATELY
1	1	Assembly–Amplifier, 4 Channel	2414533
2	2	Assembly–Speaker, Tweeter	2414535
3	1	Assembly–Enclosed, Speaker, Woofer, Front, Left Hand	2415143

REF	QTY	PART DESCRIPTION	P/N AVAILABLE SEPARATELY
4	1	Assembly–Enclosed, Speaker, Woofer, Front, Right Hand	2415144
5	1	Jumper, Amp Ground	4018709
6	2	Badge, Grille, Rockford Fosgate®	5456145
7	4	Screw–Torx® Pan Head, M10 x 1.0 mm	7512078
8	4	Screw–Torx® Pan Head, #14 x 1.0, HI/LO	7518158
9	8	Screw–Torx® Pan Head, #10 x 5/8, HI/LO	7518238
10	4	Nut–Push, Badge	7547973

TOOLS REQUIRED

- Safety Glasses
- Socket Set, Torx® Bit
- Torque Wrench

IMPORTANT

Your Base Audio Kit is exclusively designed for your vehicle. Please read the installation instructions thoroughly before beginning. Installation is easier if the vehicle is clean and free of debris. For your safety, and to ensure a satisfactory installation, perform all installation steps correctly in the sequence shown.

INSTALLATION INSTRUCTIONS

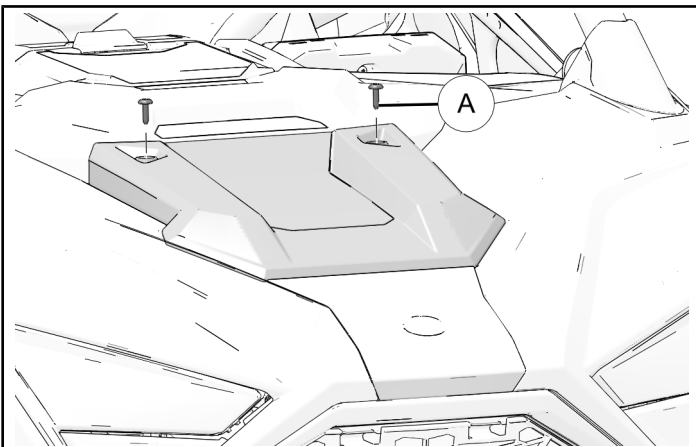
VEHICLE PREPARATION

GENERAL

1. Shift vehicle transmission into PARK.
2. Turn key to OFF position and remove from vehicle.

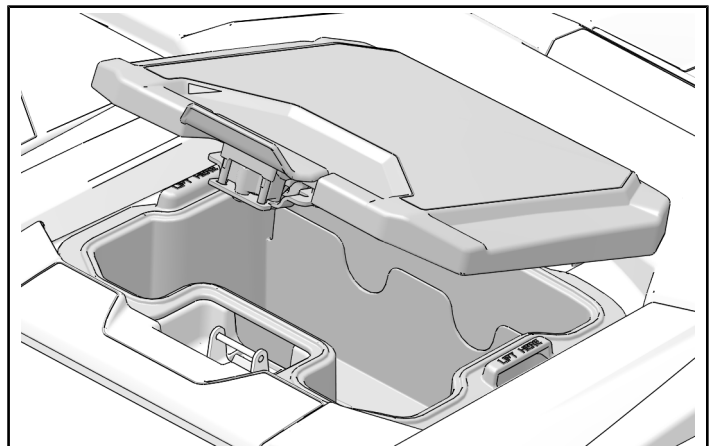
CENTER HOOD PANEL REMOVAL

1. Remove and keep two hood fasteners (A). Move hood towards rear of vehicle to remove.



DASHBOARD STORAGE REMOVAL

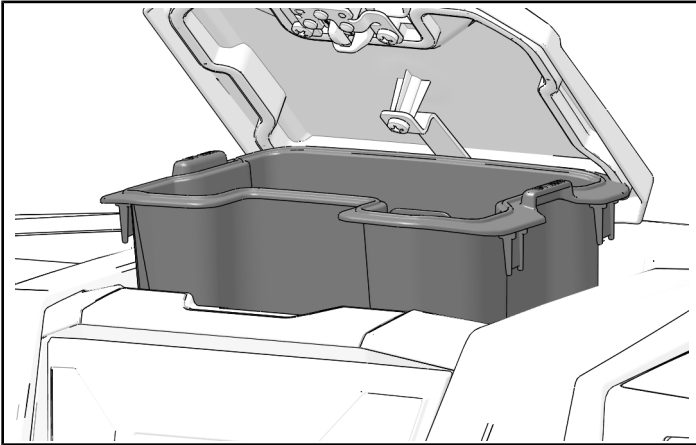
1. Open center dashboard storage compartment.



2. Remove storage compartment from dashboard.

TIP

If removing storage compartment is difficult, carefully use tool to pry storage compartment upwards where marked "LIFT HERE."

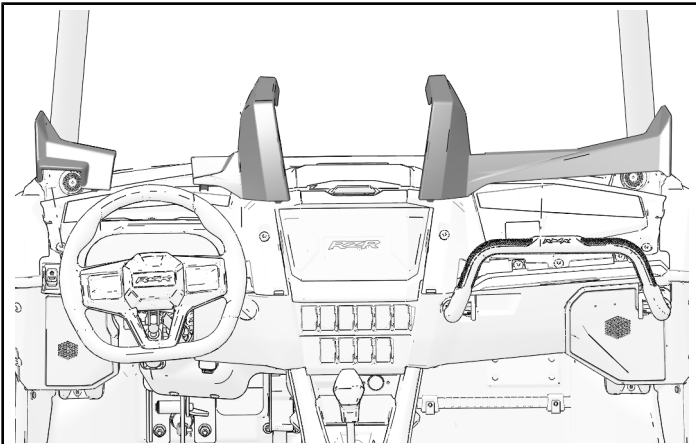


DASHBOARD TOP REMOVAL

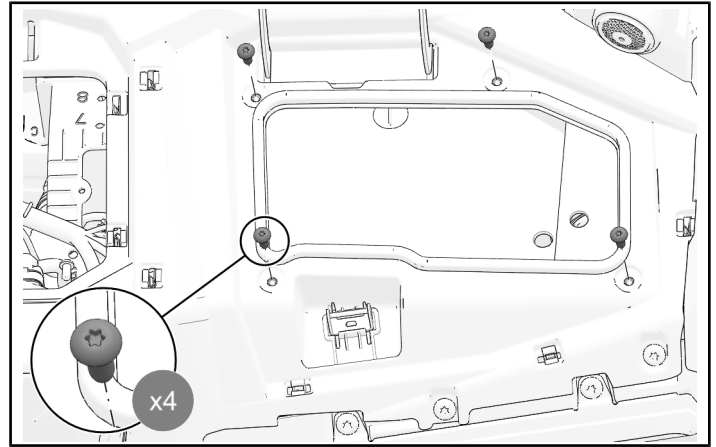
1. Carefully pull up to remove left, center, and right dashboard trim pieces.

TIP

Release steering tilt lock for improved access.



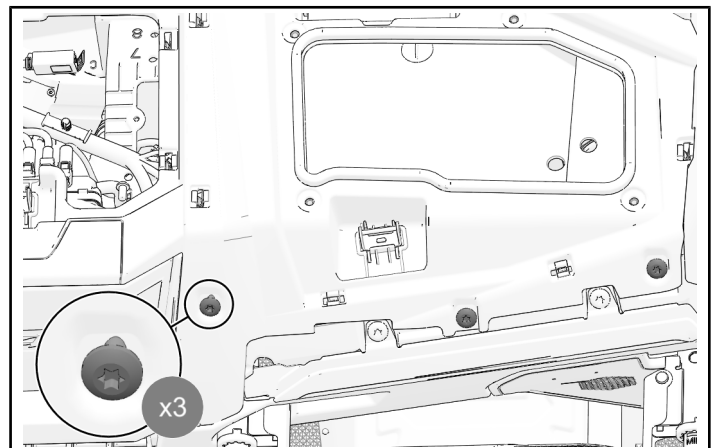
2. Open glove box lid. Remove and retain four dashboard fasteners around glove box opening.



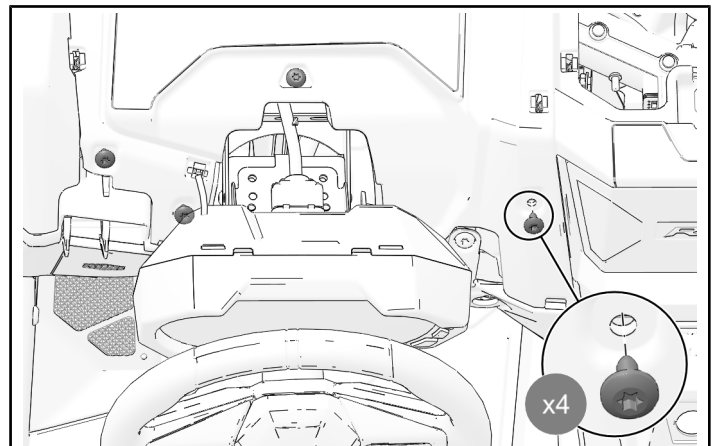
3. Remove and retain three front dashboard fasteners around glove box opening.

TIP

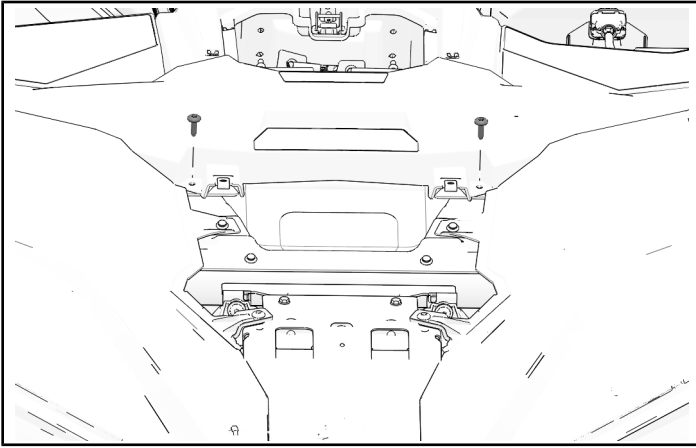
Make note of different screw sizes in steps 2 and 3.



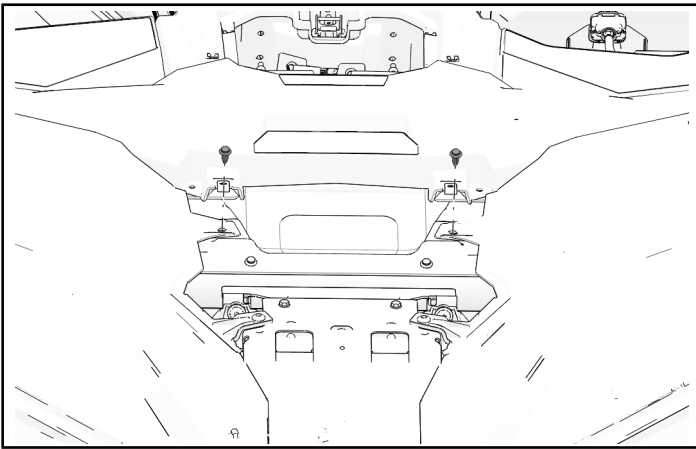
4. Tilt steering wheel down. Remove and retain four dashboard fasteners from dashboard surrounding steering wheel.



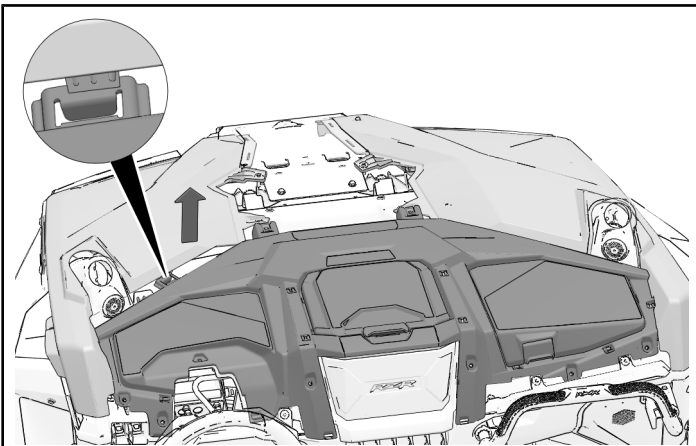
5. Remove and retain two dashboard fasteners from front of vehicle.



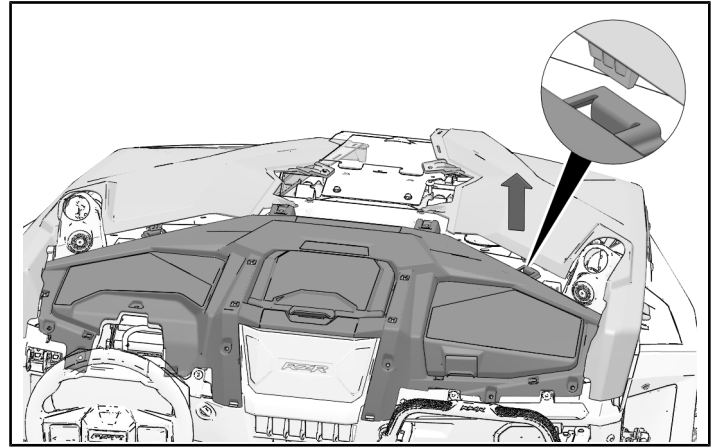
6. Remove and retain two push-pin rivets from front side hood panels.



7. Carefully lift edge of left front hood panel to release tab from dashboard top as shown.



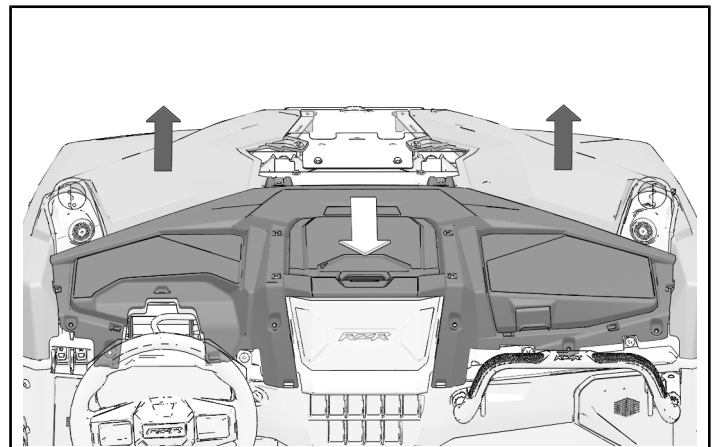
8. Carefully lift edge of right front hood panel to release tab from dashboard top as shown.



9. Carefully keep panels up-and-away from tabs and remove dashboard top by tilting rear section up and pulling out toward rear.

TIP

Two people are recommended to complete this step.

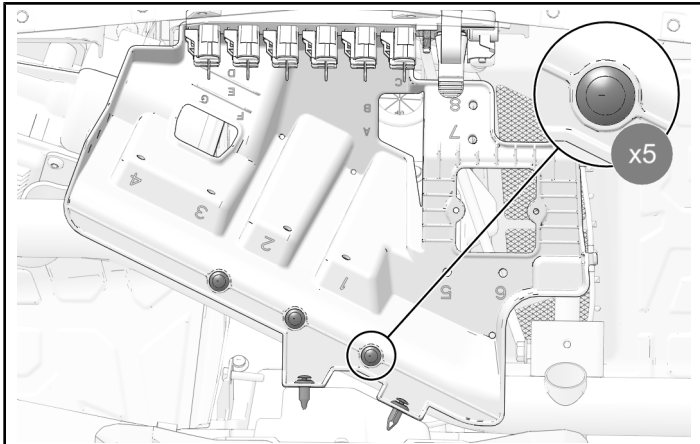


ACCESSORY MOUNTING PANEL REMOVAL

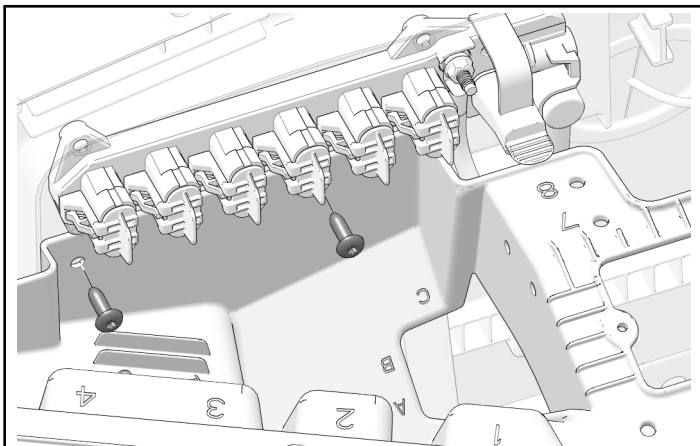
IMPORTANT

Disconnect harnesses from Polaris Pulse® bar (not including positive and ground cables) and accessory mounting panel before proceeding with removal.

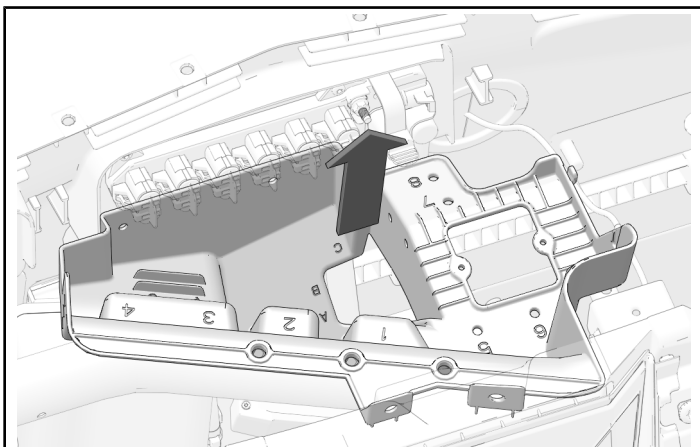
1. Remove and retain five push-pin rivets from accessory mounting panel.



2. Remove and retain two mounting panel fasteners.



3. Move accessory mounting panel from beneath Polaris Pulse® bar and remove from vehicle.



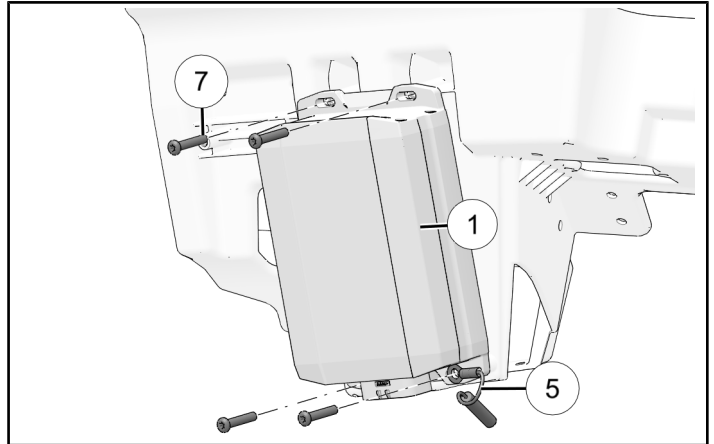
ACCESSORY INSTALLATION

AMPLIFIER INSTALLATION

1. Install amplifier ① onto accessory mounting panel with four amplifier fasteners ⑦. Pass bottom-right fastener through ground jumper ⑤ before passing through amplifier. Ensure amplifier connector is facing downward.

TORQUE

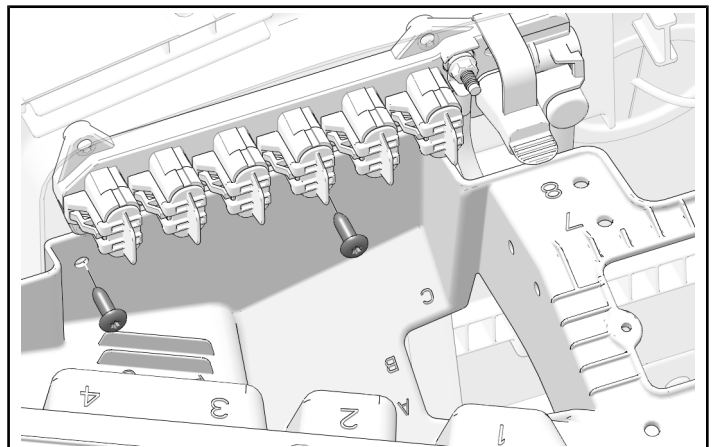
Amplifier Fasteners ⑦:
36 in-lbs (4 N·m)



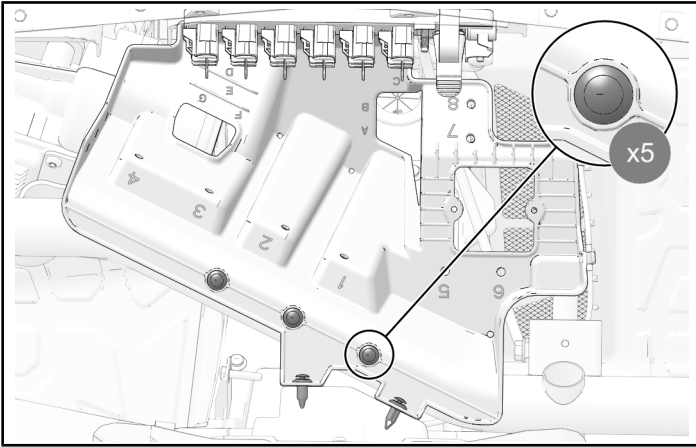
2. Return accessory mounting panel, with amplifier installed, to install position.
3. Secure front of accessory mounting panel with two retained fasteners.

TORQUE

Accessory Mounting Panel Fasteners:
27 in-lbs (3 N·m)



- Reinstall rear of accessory mounting panel with five retained push-pin rivets.

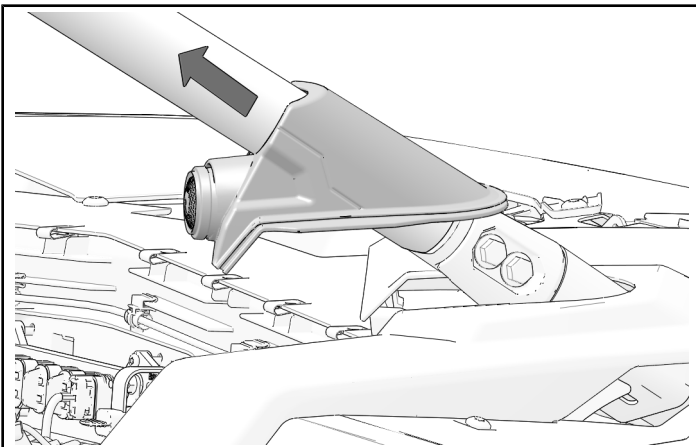


- Reinstall audio harness to accessory mounting panel and Polaris Pulse® bar.

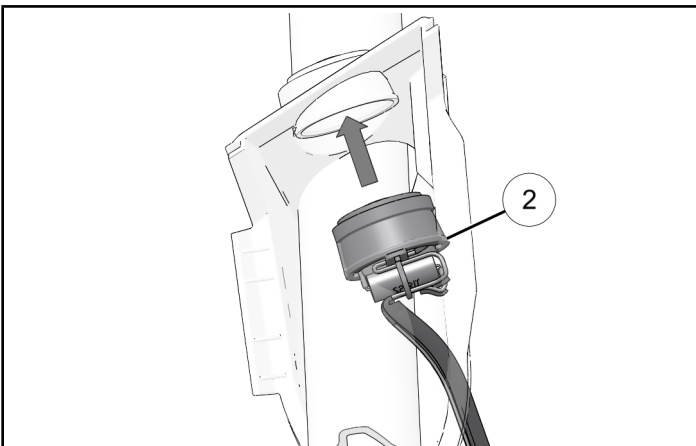
TWEETER SPEAKER INSTALLATION

RIGHT TWEETER INSTALLATION

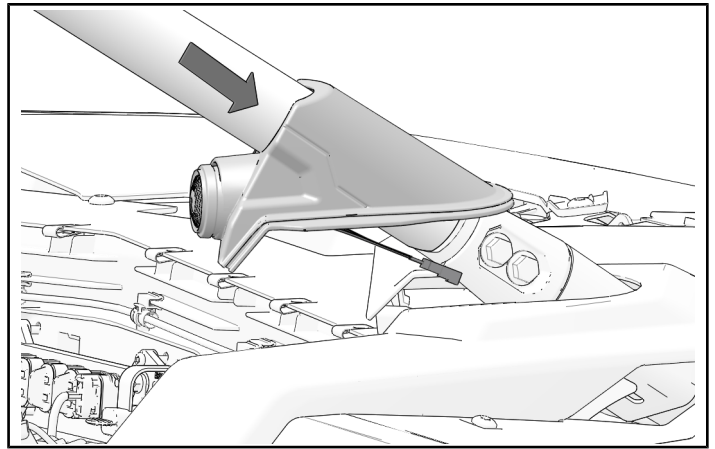
- Slide A-pillar cover upwards along ROPS.



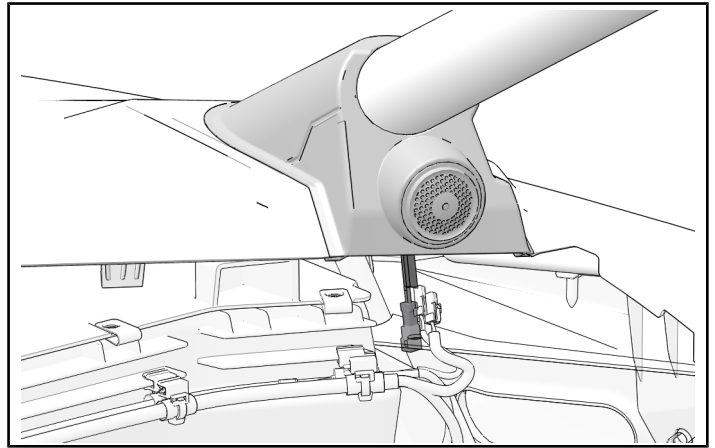
- From underside of A-pillar cover, insert one tweeter speaker ② into tweeter cover.



- Lower A-pillar cover down and reinstall.



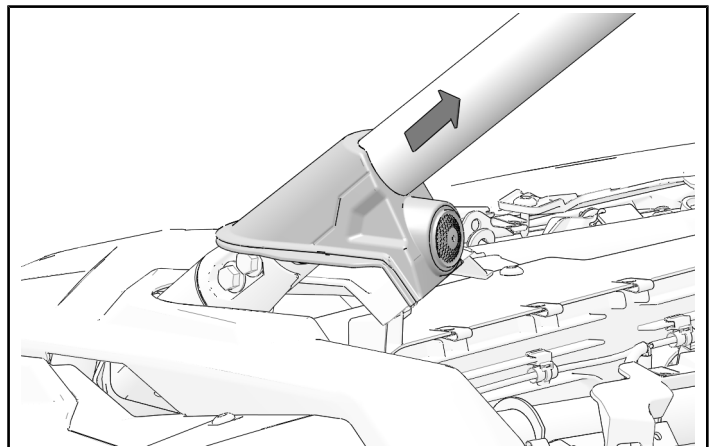
- Ensure tweeter cable routes into under-dash-board. Ensure A-pillar cover is completely seated into body plastic.



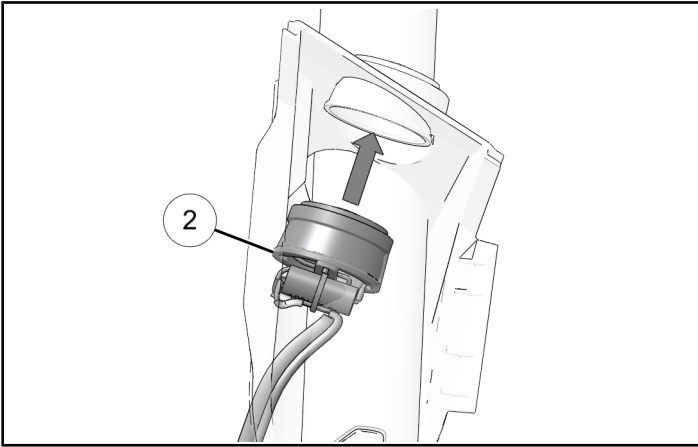
- Join tweeter connector to audio harness.

LEFT TWEETER INSTALLATION

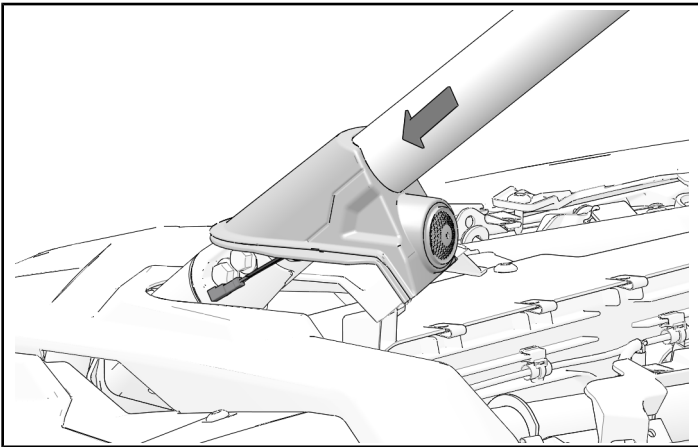
- Slide A-pillar cover upwards along ROPS.



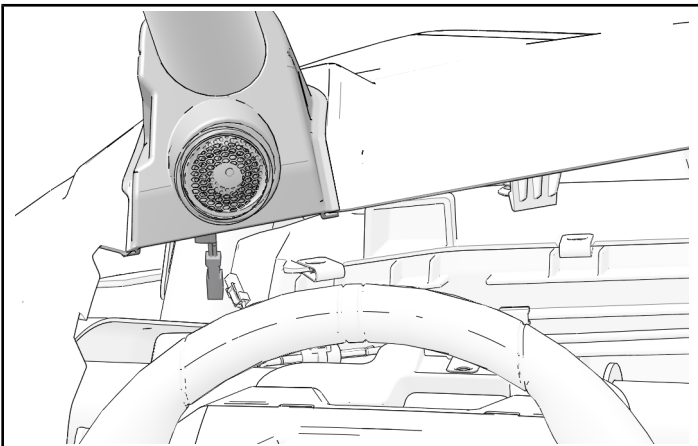
- From underside of A-pillar cover, insert one tweeter speaker ② into tweeter cover.



- Lower A-pillar cover down and reinstall.



- Ensure tweeter cable routes into under-dashboard. Ensure A-pillar cover is completely seated into body plastic.

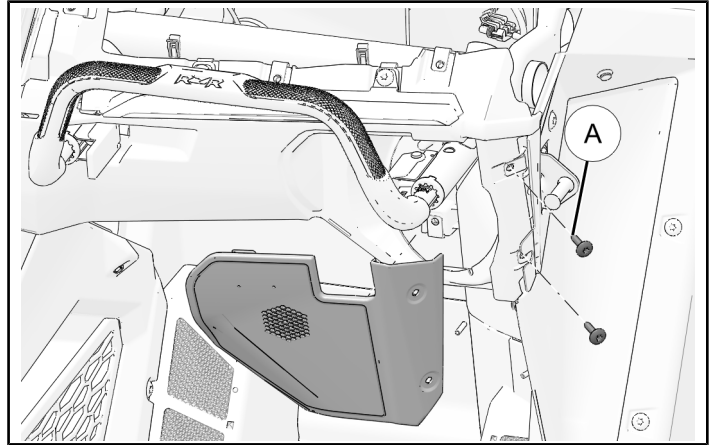


- Join tweeter connector to audio harness.

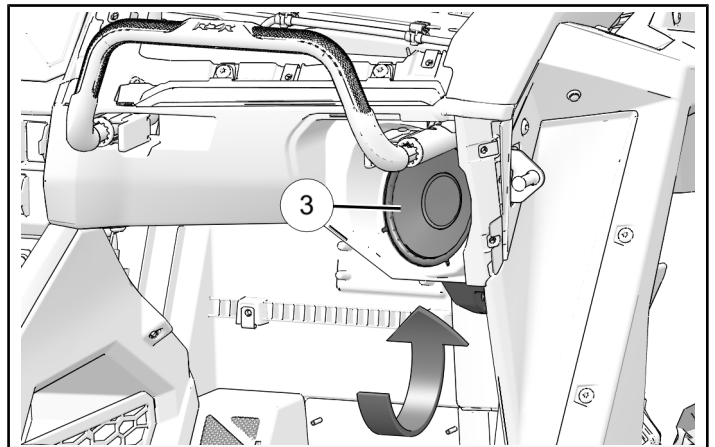
DRIVER SPEAKER INSTALLATION

RIGHT DRIVER INSTALLATION

- Remove and retain two speaker grille fasteners ① to remove speaker panel from vehicle.



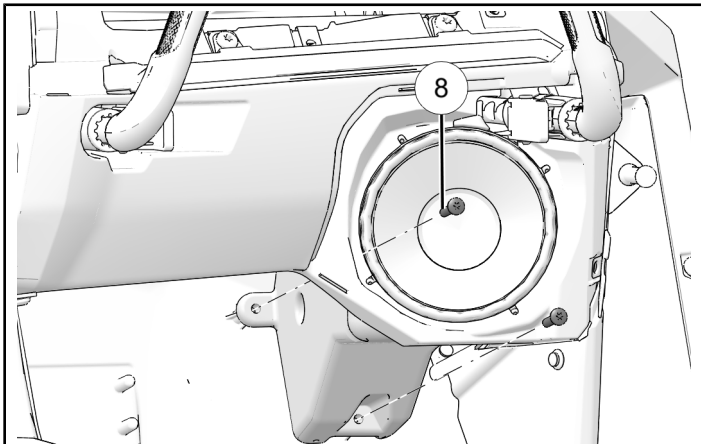
- Tilt right-hand driver assembly ③ up-and-into installed position. Ensure driver cable routes upwards into under-dashboard.



- Loosely install speaker with two speaker fasteners ⑧. After both fasteners are installed, torque fasteners to specification.

TORQUE

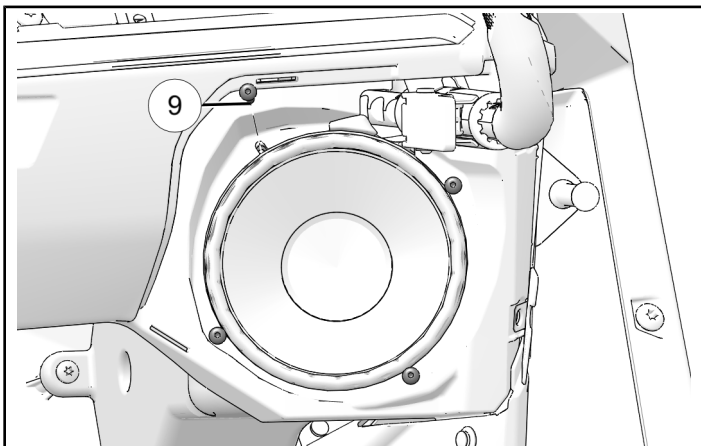
Driver Fasteners ⑧ (speaker to front cab panel):
89 in-lbs (10 N·m)



- Install speaker to dashboard panel with four fasteners ⑨.

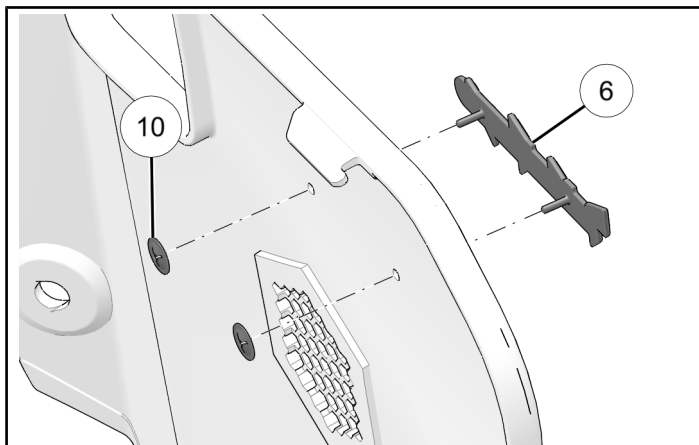
TORQUE

Driver Fasteners ⑨ (dashboard to speaker):
36 in-lbs (4 N·m)



- Join driver connector to audio harness.

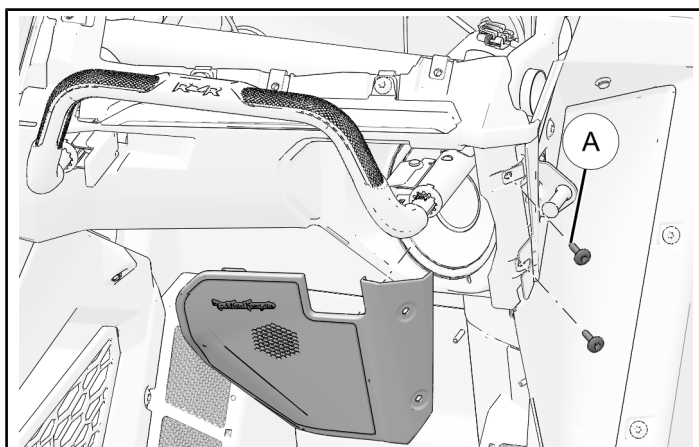
- Install Rockford Fosgate® badge ⑥ onto speaker panel with two push nuts ⑩.



- Reinstall speaker panel with two retained fasteners ①.

TORQUE

Speaker Panel Fasteners ①:
89 in-lbs (10 N·m)

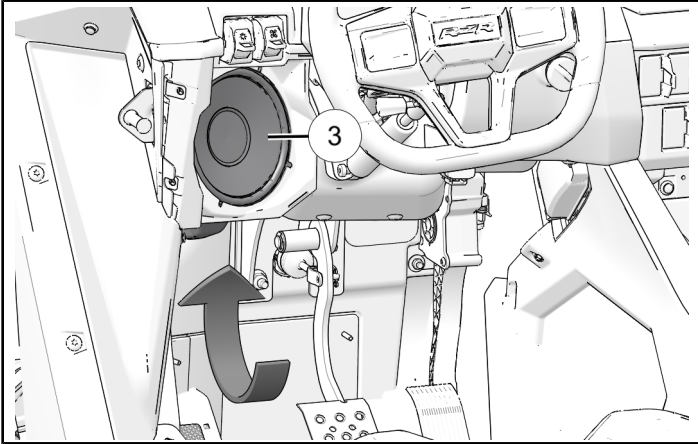


LEFT DRIVER INSTALLATION

- Remove and retain two speaker panel fasteners ① to remove speaker panel from vehicle.



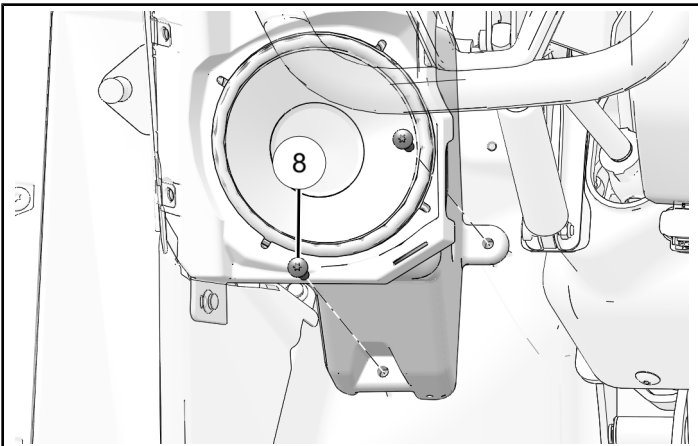
2. Tilt right-hand driver assembly ③ up-and-into installed position. Ensure driver cable routes upwards into under-dashboard.



3. Loosely install speaker with two speaker fasteners ⑧. After both fasteners are installed, torque fasteners to specification.

TORQUE

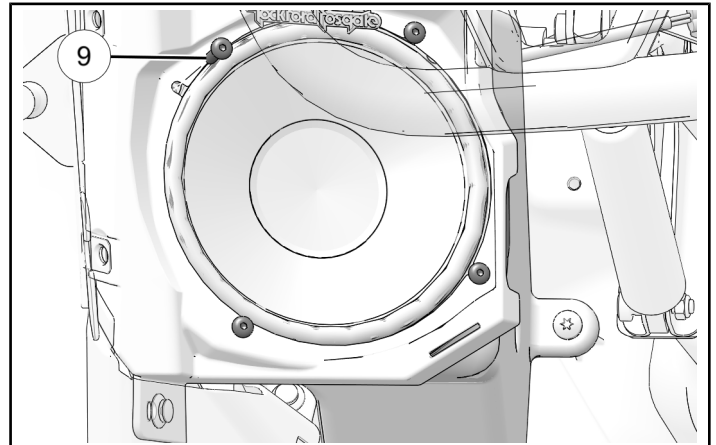
Driver Fasteners ⑧ (speaker to front cab panel):
89 in-lbs (10 N·m)



4. Install speaker to dashboard panel with four fasteners ⑨.

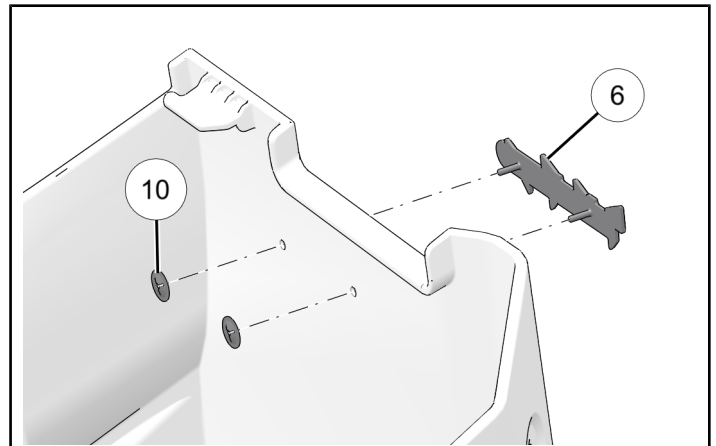
TORQUE

Driver Fasteners ⑨ (dashboard to speaker):
36 in-lbs (4 N·m)



5. Join driver connector to audio harness.

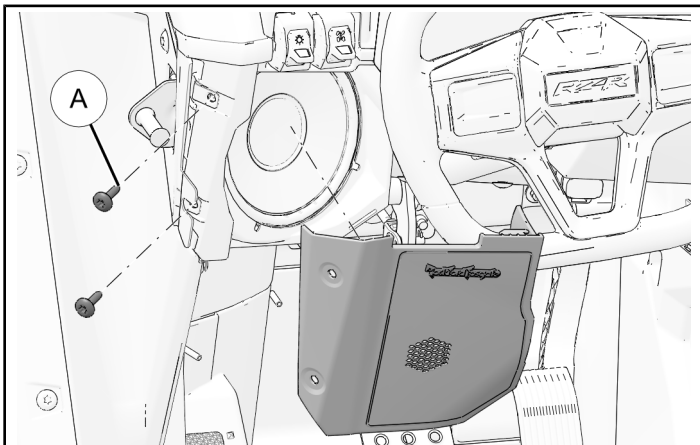
6. Install Rockford Fosgate® badge ⑥ onto speaker panel with two push nuts ⑩.



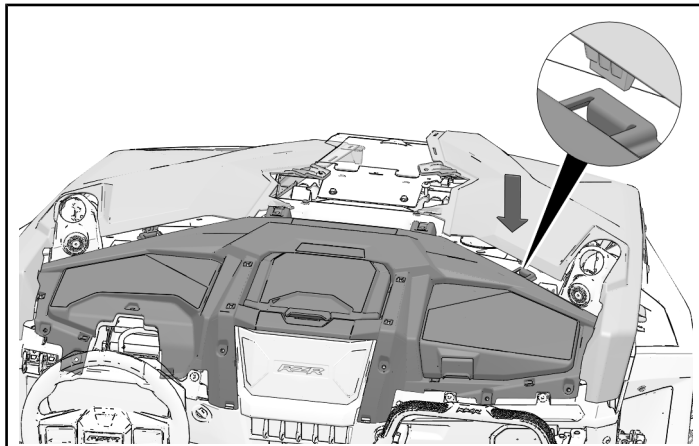
7. Reinstall speaker panel with two retained fasteners (A).

TORQUE

Speaker Panel Fasteners (A):
89 in-lbs (10 N·m)



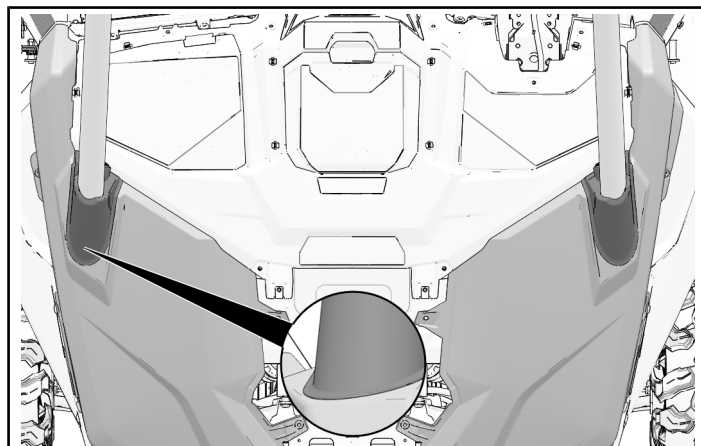
2. Ensure that tabs on panels are aligned in slots on dashboard top. (Passenger-side panel shown; driver-side panel similar.)



3. Ensure that both rubber boots are properly seated around hood panels. Only upper lip should be visible, as shown with inset.

TIP

Push up on inside of fender to ease installation.



VEHICLE REASSEMBLY

GENERAL

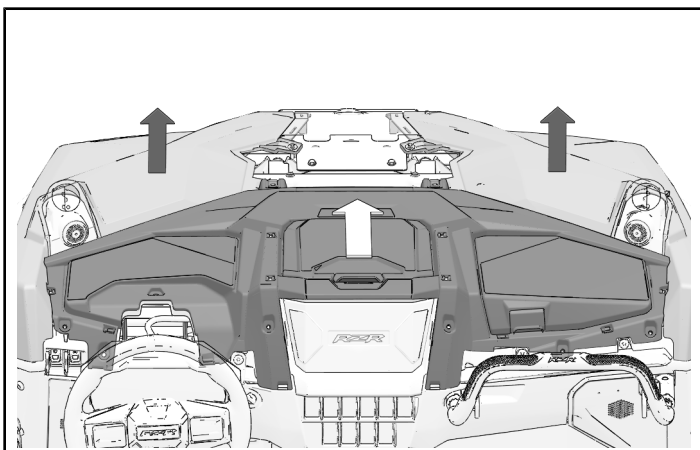
1. Make sure speakers operate properly before proceeding with reassembling vehicle.

DASHBOARD TOP INSTALLATION

1. Carefully lift panels up-and-away from tabs and install dashboard top into place by tilting rear section up and installing front section first, then lower rear section into place.

TIP

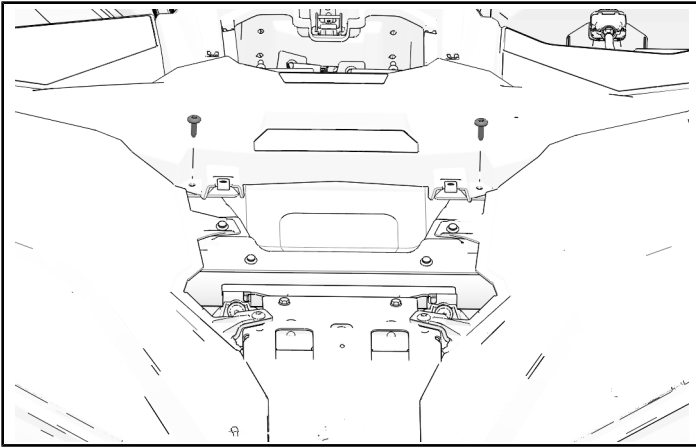
Two people are recommended to complete this step.



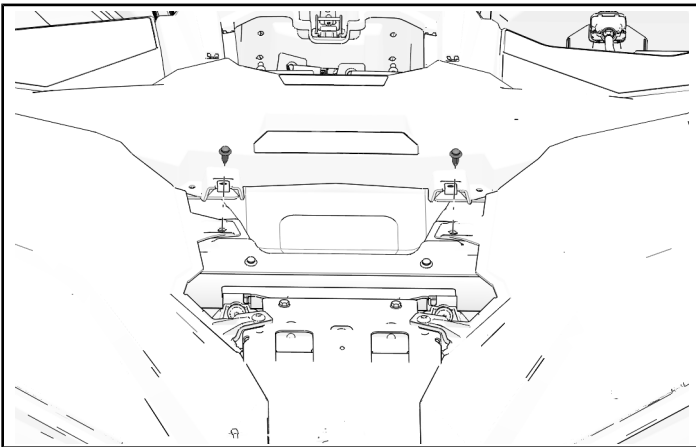
4. Reinstall two retained front dashboard fasteners into front edge of top dashboard.

TORQUE

Front Dashboard Fasteners:
88 in-lbs (10 N·m)



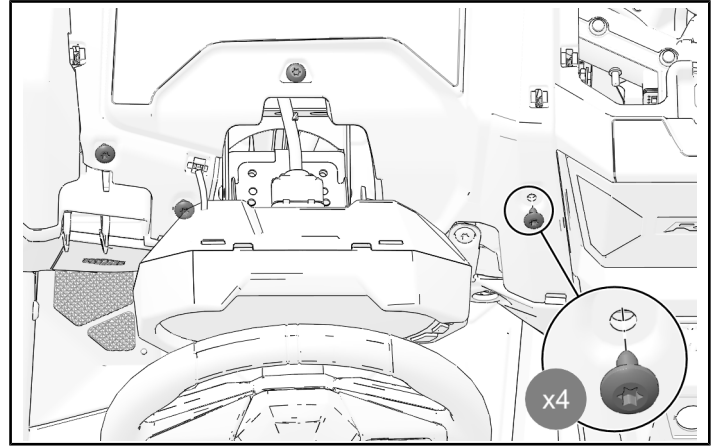
5. Install hood panels to with two retained push-pin rivets



6. Tilt steering wheel down. Install four retained screws through dashboard top and torque to specification.

TORQUE

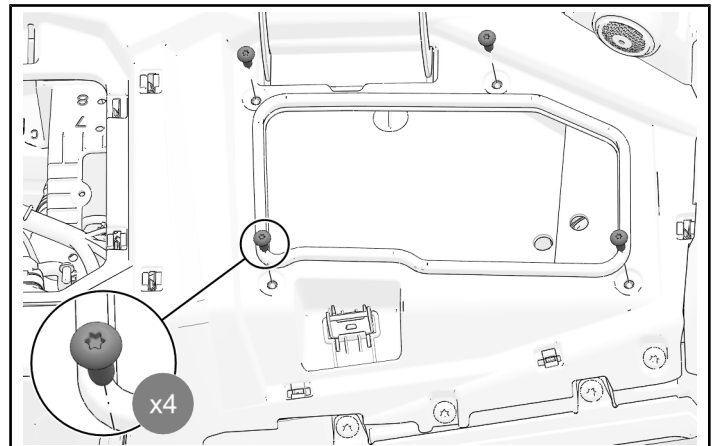
Dashboard Fasteners:
88 in-lbs (10 N·m)



7. Open glove box lid and reinstall storage compartment. Install four retained dashboard fasteners around glove box opening.

TORQUE

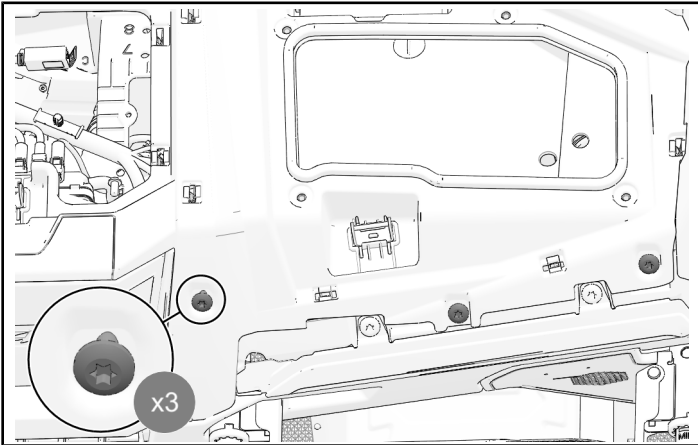
Dashboard Fasteners:
88 in-lbs (10 N·m)



8. Install front of dashboard with three retained dashboard fasteners.

TORQUE

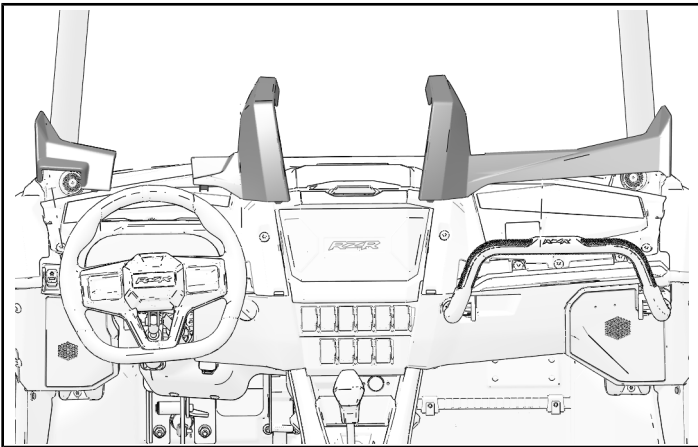
Dashboard Fasteners:
88 in-lbs (10 N·m)



9. Install retained left, center, and right dashboard trim pieces.

TIP

Release steering tilt lock for improved access.

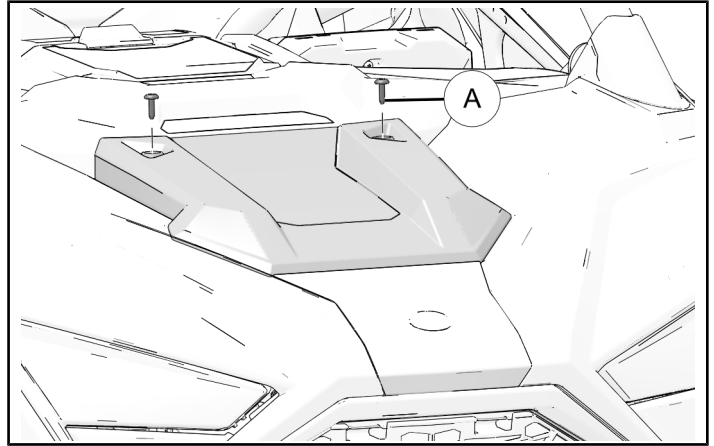


CENTER HOOD PANEL INSTALLATION

1. Move panel forward until tabs slide into front hood panel and install with two hood fasteners.

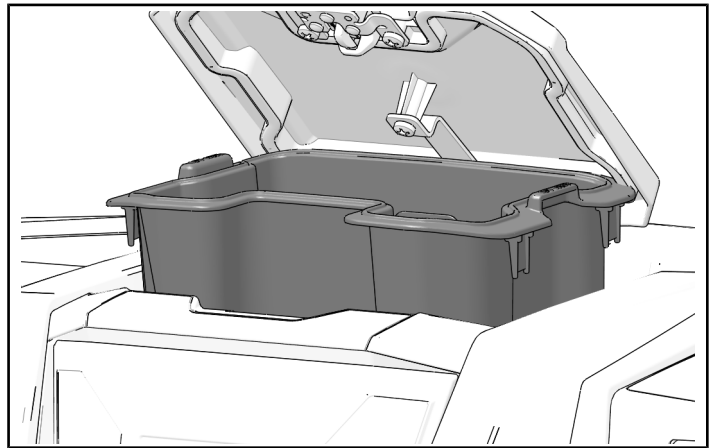
TORQUE

Hood Fasteners:
88 in-lbs (10 N·m)



DASHBOARD STORAGE INSTALLATION

1. Slide storage compartment into dashboard cavity.



FEEDBACK FORM

A feedback form has been created for the installer to provide any comments, questions or concerns about the installation instructions. The form is viewable on mobile devices by scanning the QR code or by clicking [HERE](#) if viewing on a PC.

