

28 INCH ROOF LIGHT BAR



P/N 2884074

APPLICATION

Verify accessory fitment at Polaris.com.

IMPORTANT

This kit is not compatible with other roof-mounted light bars.

BEFORE YOU BEGIN

Read these instructions and check to be sure all parts and tools are accounted for. Please retain these installation instructions for future reference and parts ordering information.

REQUIRED SOLD SEPARATELY

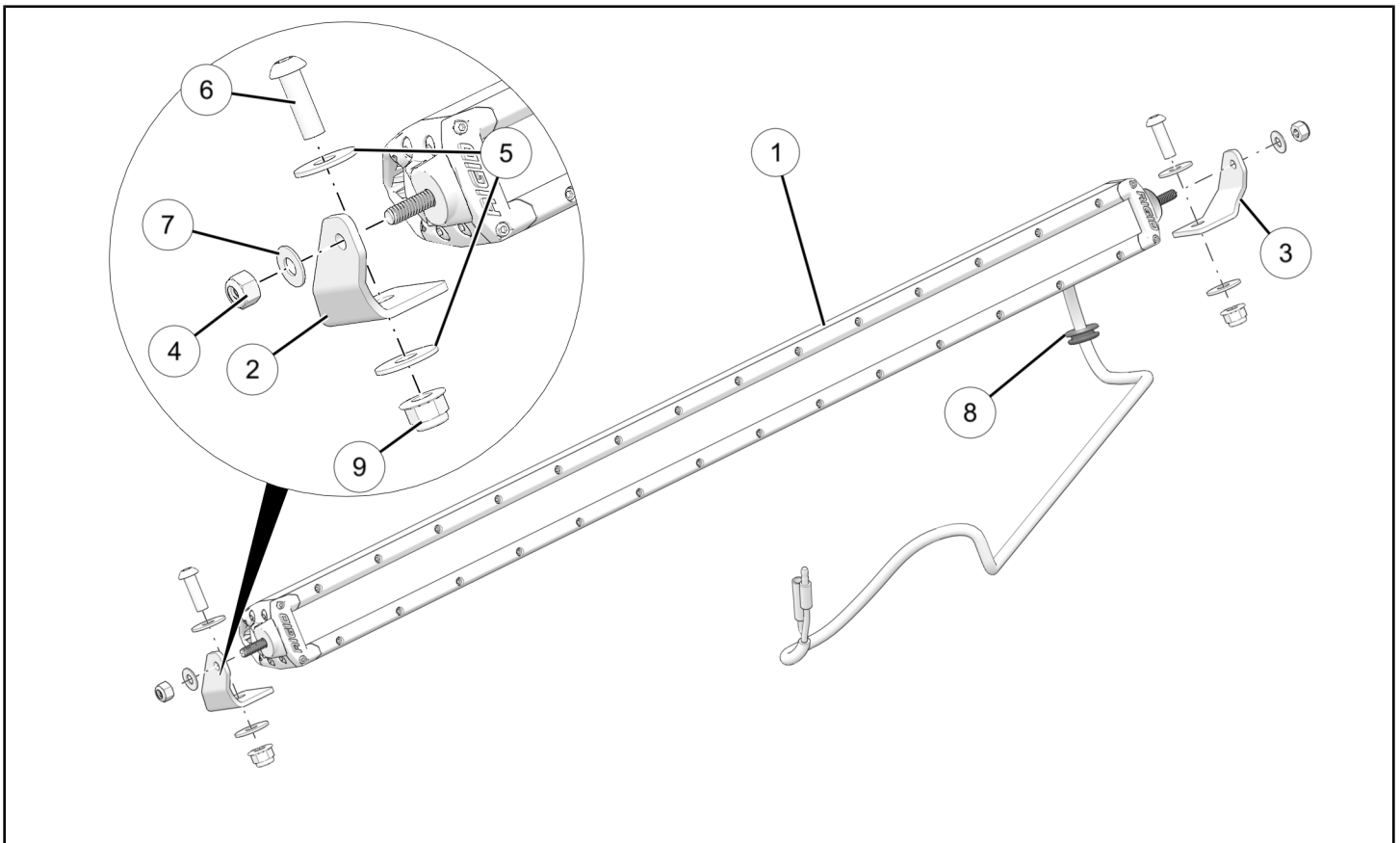
Only parts for installation of the 28 Inch Roof Light Bar are included. The following additional kits are also required (sold separately):

- *Aluminum Roof Kit*, P/N 2883961-XXX (2 passenger), or 2883991-XXX (4 passenger)
- *Light Bar Harness Kit*, P/N 2883949

NOTE

XXX = Polaris® color code (For example: 266 = Black)

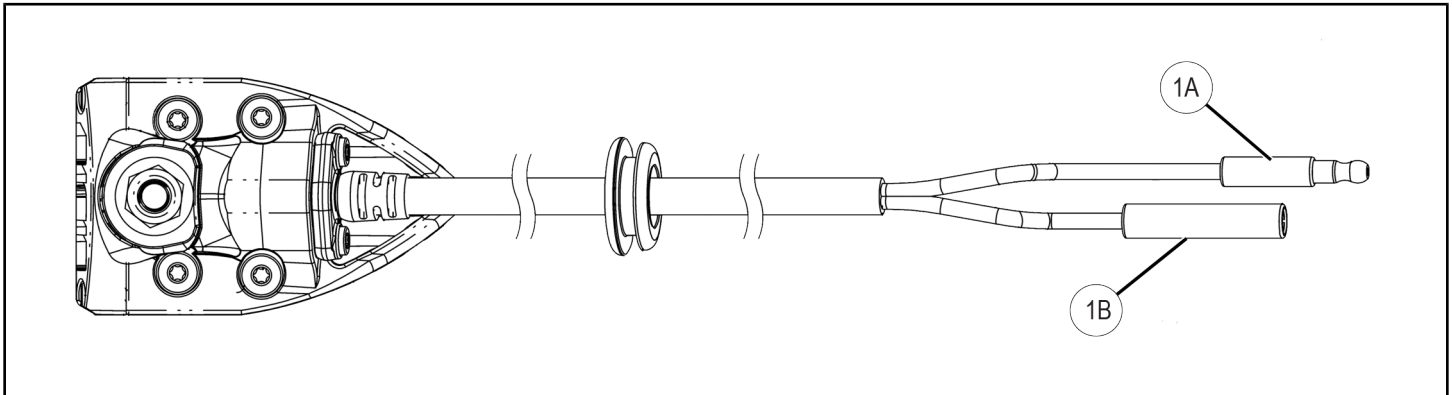
KIT CONTENTS



REF	QTY	PART DESCRIPTION	P/N AVAILABLE SEPARATELY
1	1	Light Bar, Roof, 28 Inch	-
2	1	Bracket, Light Bar, Right	5267679
3	1	Bracket, Light Bar, Left	5267678
4	2	Nut, Light Bar Mount	-
5	4	Washer, 8.4 X 24 X 2	7556045
6	2	Screw, Hex Flange Head, M8 X 1.25 X 25	7519728
7	2	Washer, Light Bar Mount	-
8	1	Grommet, Rubber	5413027
9	2	Nut, Hex Flange Head, M8 X 1.25	7547454
	1	Instructions	9929439

HARNESS DETAIL

LIGHT BAR



REF	PART DESCRIPTION	PIN QTY/ GENDER	CONNECTS TO
1A	Light Bar Positive (+) Wire	1 / Male	Light Bar Harness Positive Connector
1B	Light Bar Negative (-) Wire	1 / Female	Light Bar Harness Negative Connector

TOOLS REQUIRED

- Safety Glasses
- Fish Tape (or comparable)
- Pick and Hook Set
- File, Flat
- Pliers, Needle Nose
- Pliers, Side Cutting
- Push Dart (Panel Clip) Tool
- Socket Set, Metric
- Socket Set, Torx® Bit
- Torque Wrench

CONSUMABLES REQUIRED

- Grease, Polaris All Season (or equivalent)
- Tape, Electrical

IMPORTANT

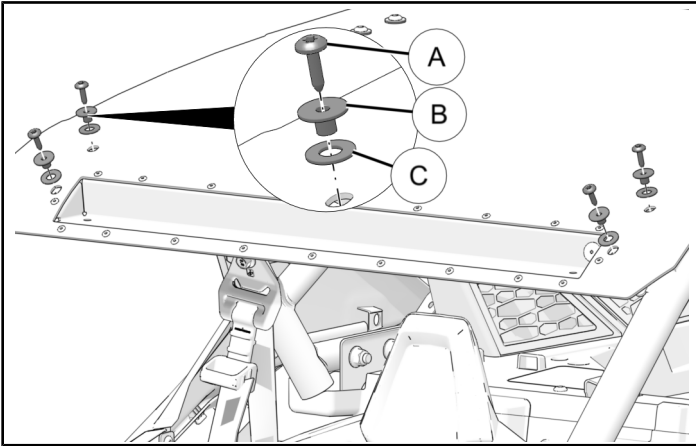
Your 28 Inch Roof Light Bar is exclusively designed for your vehicle. Please read the installation instructions thoroughly before beginning. Installation is easier if the vehicle is clean and free of debris. For your safety, and to ensure a satisfactory installation, perform all installation steps correctly in the sequence shown.

INSTALLATION INSTRUCTIONS

VEHICLE PREPARATION

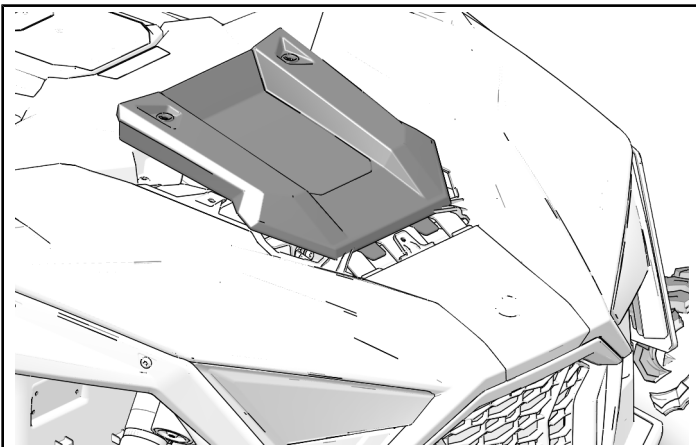
GENERAL

1. Shift vehicle transmission into "PARK". Turn ignition switch to "OFF" position and remove key.
2. Remove and retain four screws **A** from front of roof panel.



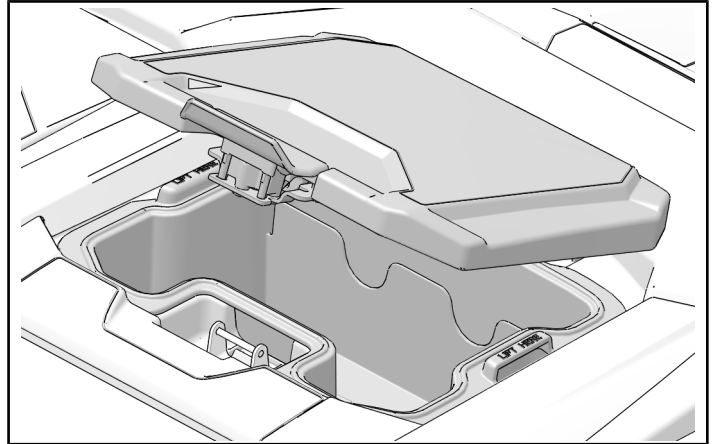
CENTER HOOD PANEL REMOVAL

1. Turn two quarter-turn fasteners to loosen center hood panel. Slide panel backwards until tabs clear front hood panel.

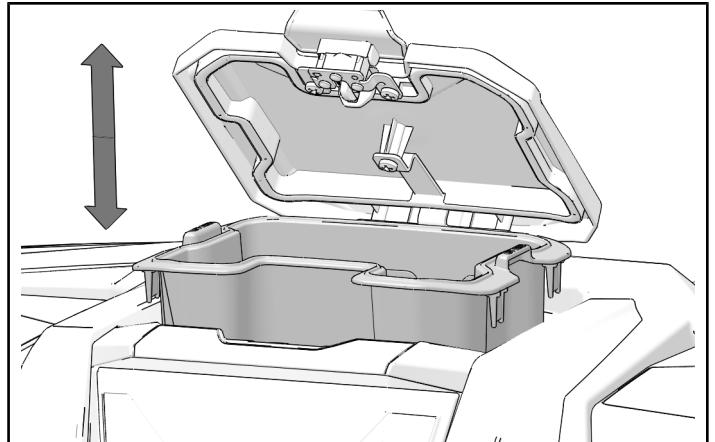


CENTER DASHBOARD STORAGE REMOVAL

1. Open center dashboard storage compartment.



2. Remove storage compartment from dashboard.

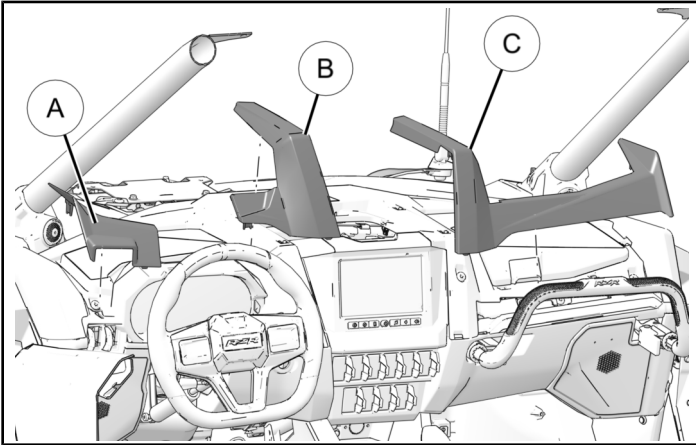


DASHBOARD TOP REMOVAL

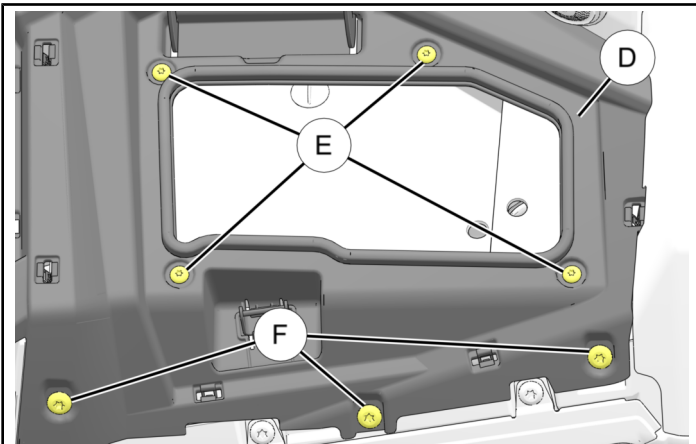
1. Carefully pull up to remove and retain left (A), center (B), and right (C) dash trim pieces.

TIP

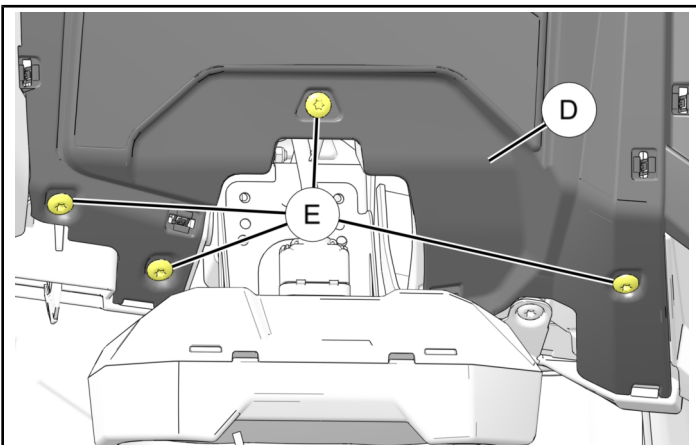
Release steering tilt lock for better access.



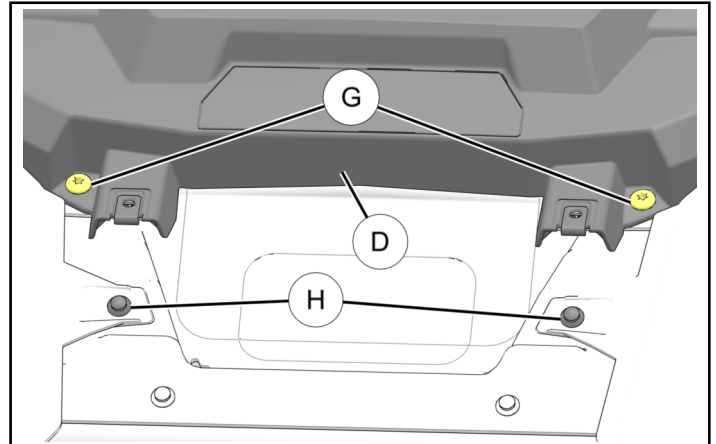
2. Open glove box lid. Remove and retain four screws (E) around glove box opening and three screws (F) from front of dashboard top (D). Make note of different screw sizes.



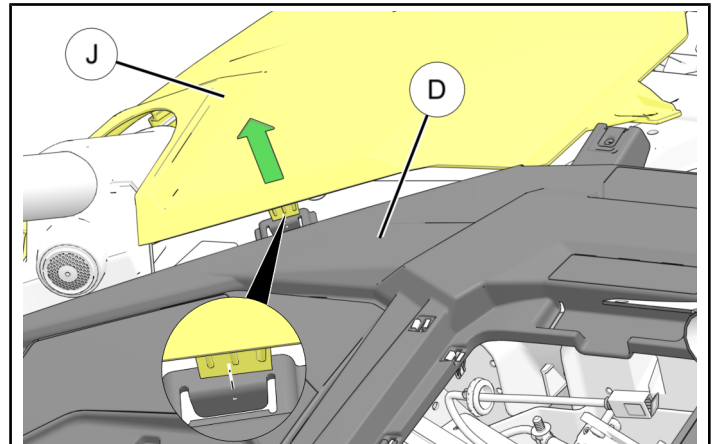
3. Tilt steering wheel down. Remove and retain four screws (E) from dashboard top (D).



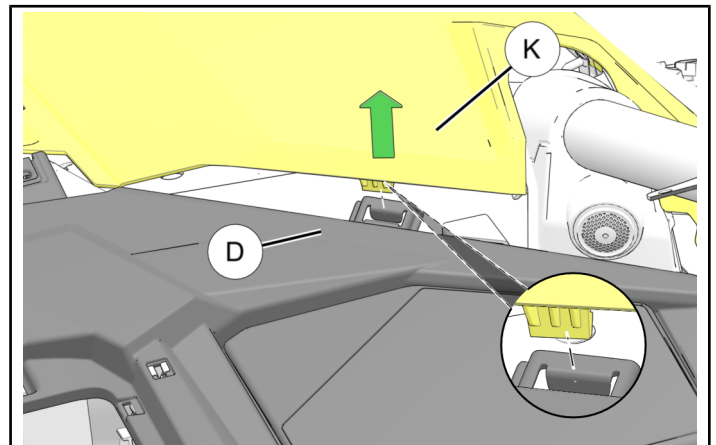
4. On front of vehicle, near rear edge of center hood panel opening, remove and retain two screws (G) from dashboard top (D). Remove and retain two pushpin rivets (H) from front side panels.



5. Carefully lift edge of left front fender (J) to release tab from dashboard top (D) as shown.



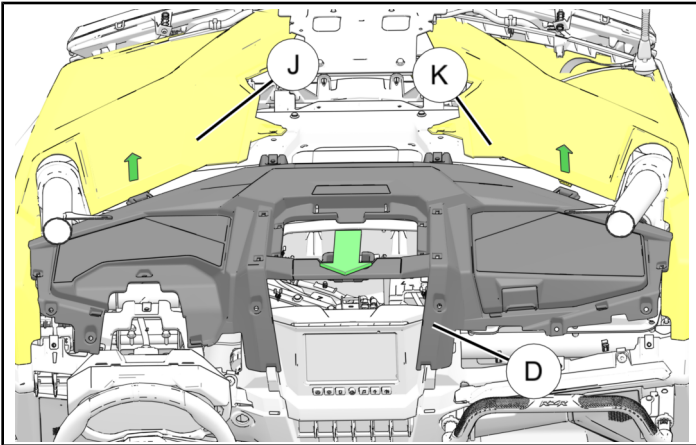
6. Carefully lift edge of right front fender (K) to release tab from dashboard top (D) as shown.



- Carefully keep panels **J** and **K** up and away from tabs and remove dashboard top **D** by tilting rear section up and pulling out toward rear.

TIP

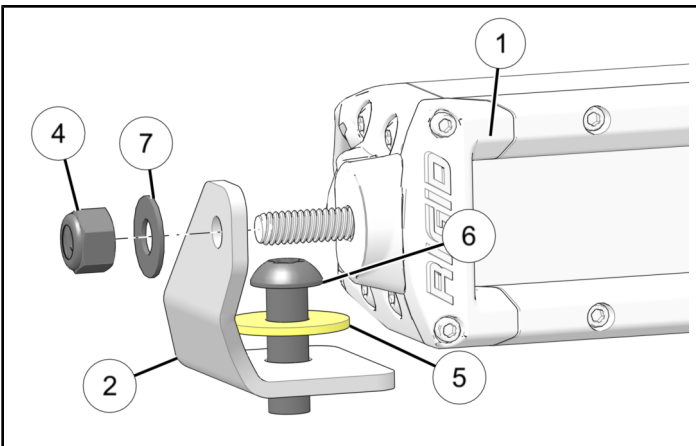
Have a second person to hold panels up.



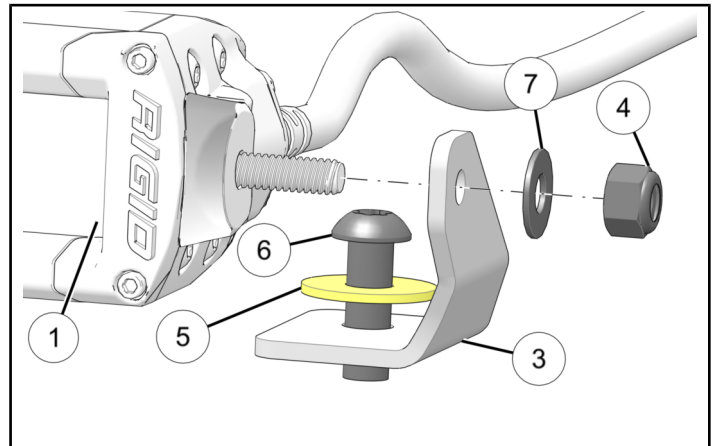
ACCESSORY INSTALLATION

ASSEMBLE LIGHT BAR

- Install screw **6** through washer **5** into right light bar bracket **2**. Loosely install right light bar bracket **2** to stud on light bar **1** with one washer **7** and nut **4**. **DO NOT torque fasteners at this time.**



- Install screw **6** through washer **5** into left light bar bracket **3**. Loosely install left light bar bracket **3** to stud on light bar **1** with one washer **7** and nut **4**. **DO NOT torque fasteners at this time.**

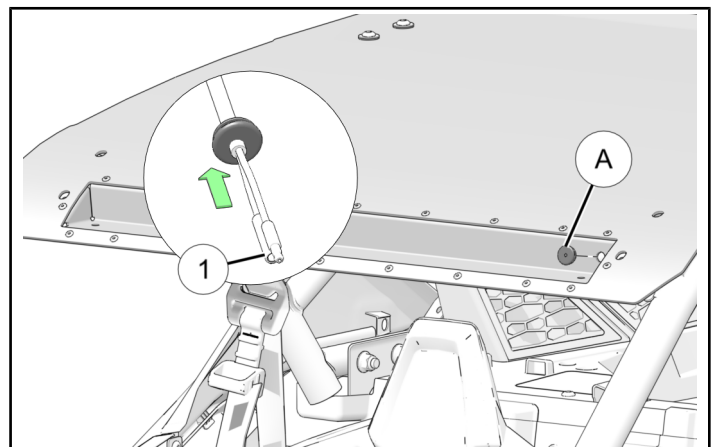


ATTACH LIGHT BAR TO ROOF PANEL

- Remove grommet **A** and install onto light bar harness wires **1**.

TIP

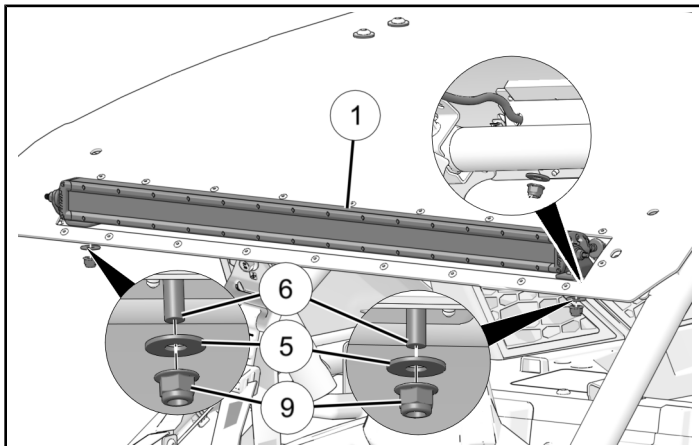
Apply a light coating of grease to ease installation.



- Route light bar wires through opening in roof and over roll cage (as shown with inset) and set light bar ① in place. Insert grommet into opening. Loosely install washers ⑤ and nuts ⑨ onto previously installed screws ⑥. **DO NOT torque fasteners at this time.**

TIP

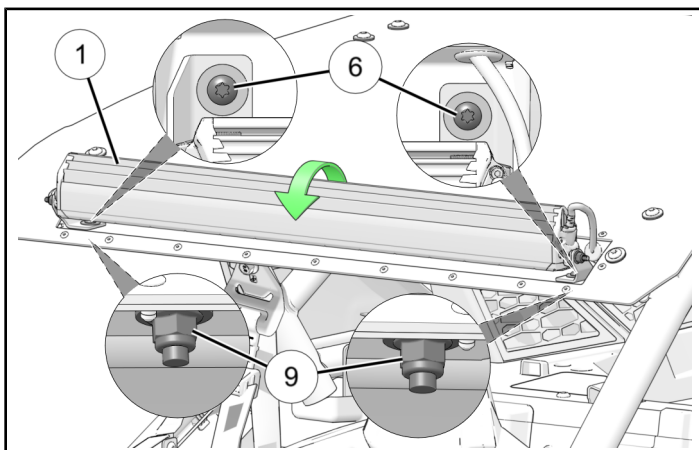
- Apply a light coating of grease to ease grommet installation.
- Lift front of roof to ease routing of wires over roll cage.



- Tilt light bar ① vertically as shown, ensure light bar ① is centered and square to roof panel. Counterhold nuts ⑨ and torque screws ⑥ to specification.

TORQUE

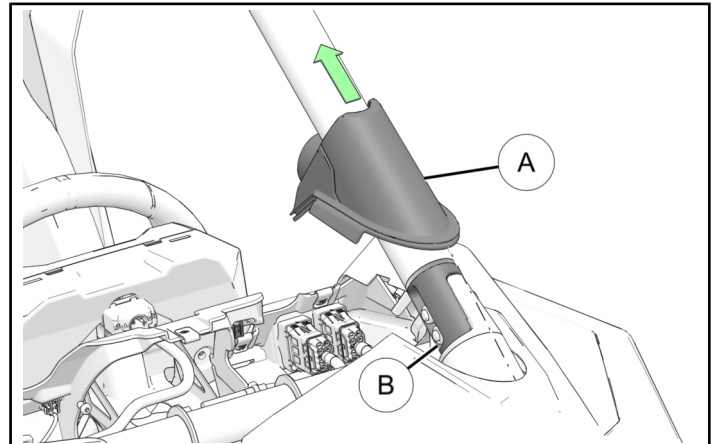
Light Bar Mount Screw ⑥:
16 ft-lbs (22 Nm)



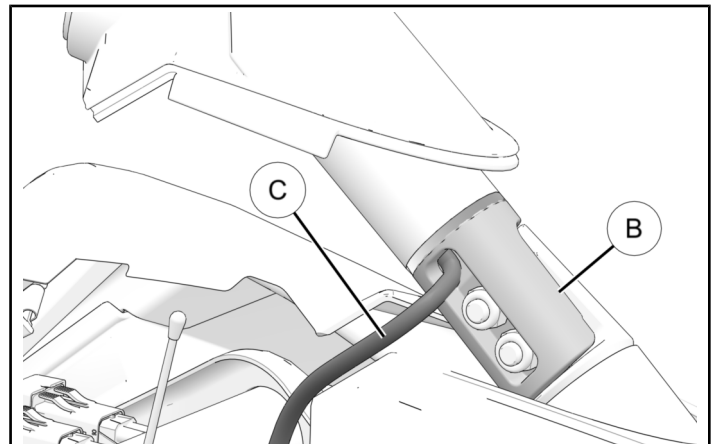
- Tilt light bar back into position and carefully pull light bar wire fully through opening.

ROUTE HARNESS

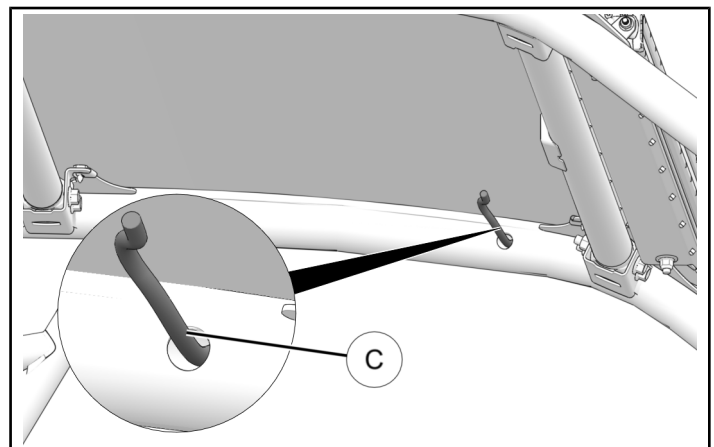
- Slide left side rubber boot ① up roll cage to reveal lower brace of roll cage ②.



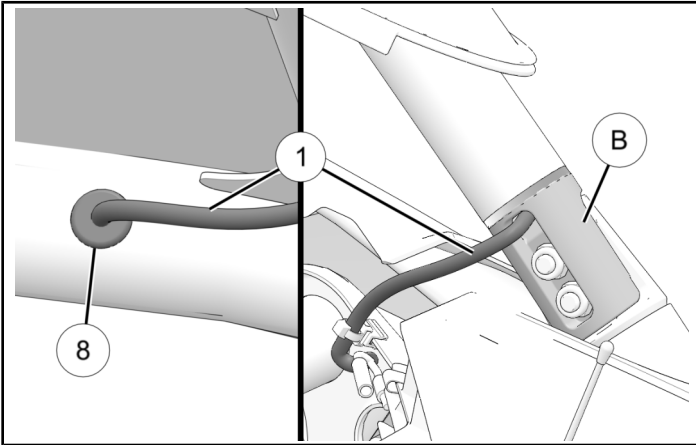
- Feed fish tape ③ (or comparable) into opening in lower roll cage brace ② and up tubing toward roof.



- Locate fishtape ③ and pull from round opening in roll cage as shown.



- Slide grommet ⑧ onto light bar harness ①. Tape light bar harness ① to fishtape and pull back through hole and out opening in lower brace ②. Once wire is routed, install grommet ⑧ into round opening in rollcage to seal.

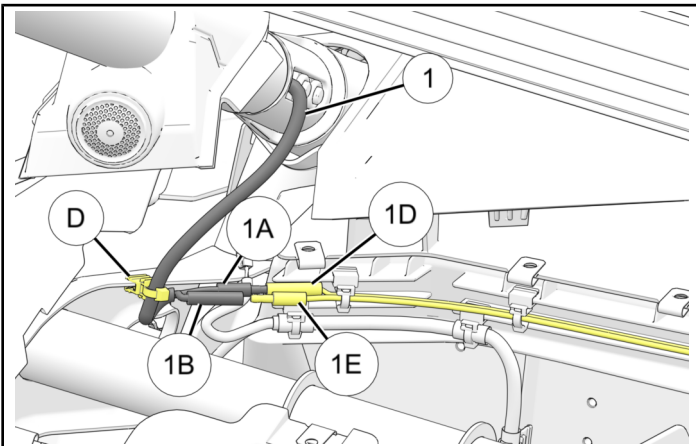


INSTALL LIGHT BAR HARNESS KIT

- Refer to light bar Harness Kit (PN 2883949) and install Kit.

CONNECT HARNESS

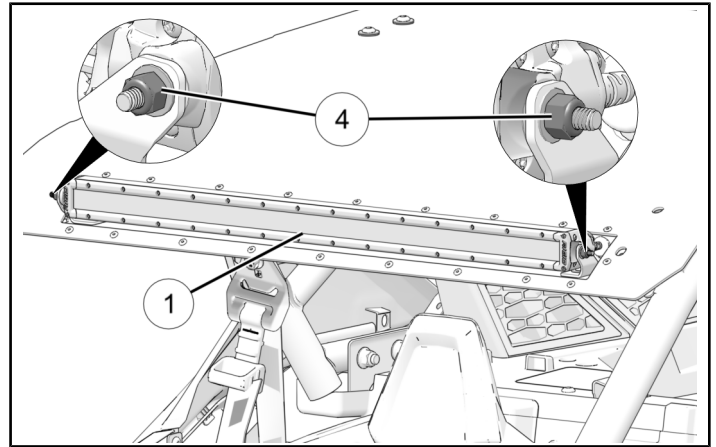
- Join light bar harness ① connectors 1A and 1B to corresponding light bar Harness Kit P/N 2883949 connectors 1D and 1E. Wrap connectors in electrical tape. Attach clip ① to edge of firewall as shown.



- Adjust aim of light bar to desired position and tighten outer nuts ④ to specification.

TORQUE

Light Bar End Nut ④: 16 ft-lbs (22 Nm)



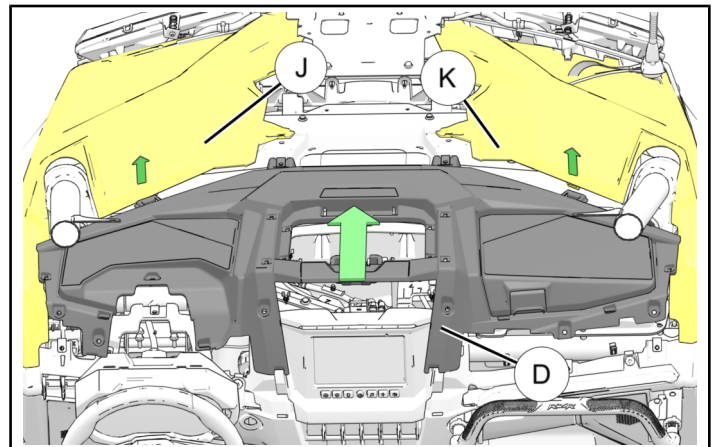
VEHICLE REASSEMBLY

DASHBOARD TOP INSTALLATION

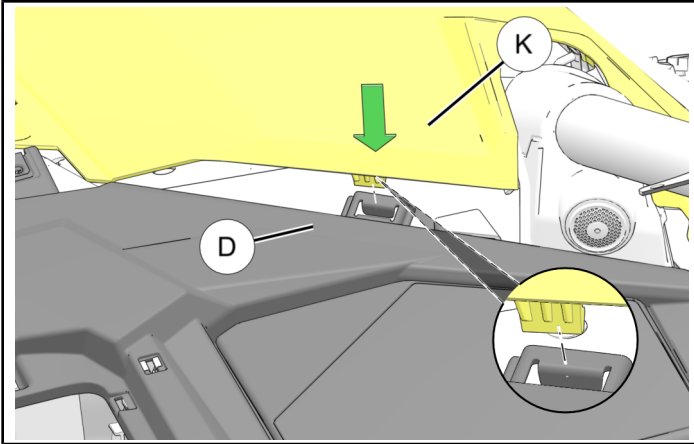
- Carefully lift panels ① and ② up and away from tabs and install dashboard top ③ into place by tilting rear section up and installing front section first, then lower rear section into place.

TIP

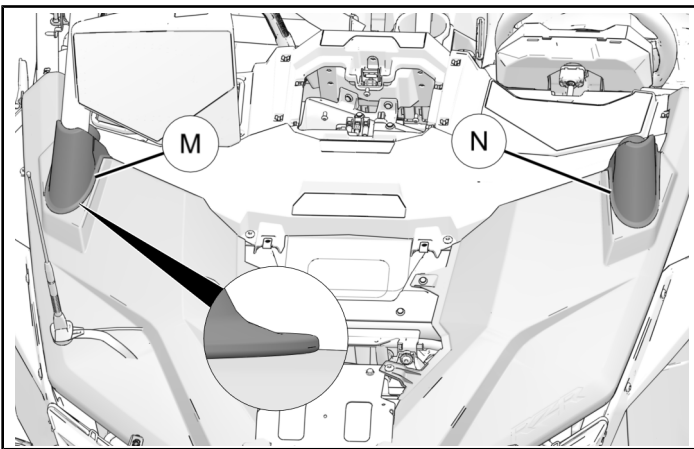
Have a second person to hold panels up.



2. Ensure that tabs on panels **J** and **K** are aligned in slots on dashboard top **D**. (Only panel **K** shown. Panel **J** is similar.)



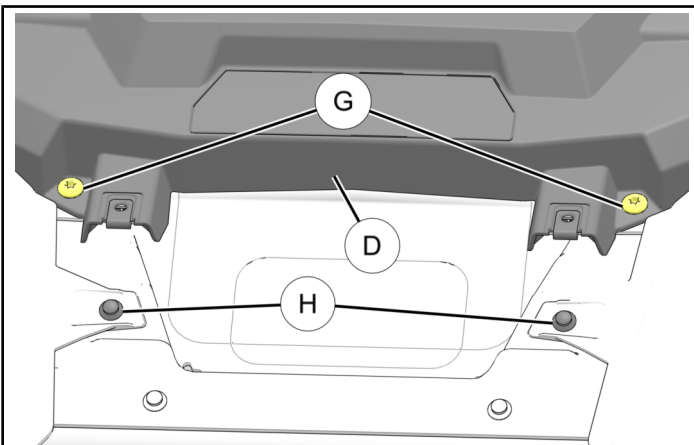
3. Ensure that both right **M** and left **N** rubber boots are properly installed. Only upper lip should be visible, as shown with inset.



4. Reinstall two retained screws **G** into front edge of dashboard top **D** and two retained pushpin rivets **H**. Torque screws to specification.

TORQUE

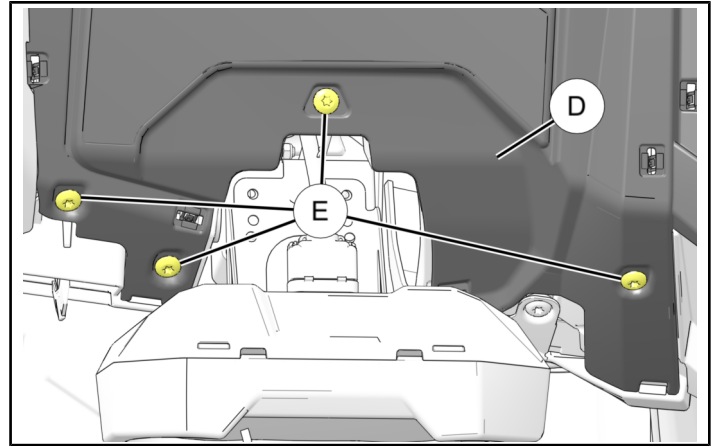
Screw **G**:
88 in-lbs (10 Nm)



5. Tilt steering wheel down. Install four retained screws **E** through dashboard top and torque to specification.

TORQUE

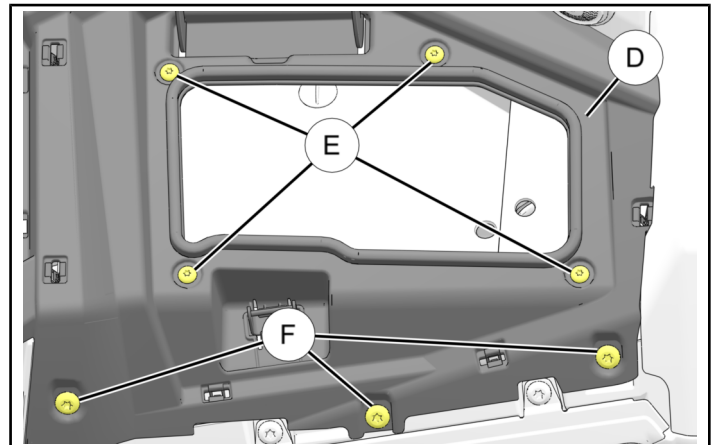
Screw **E**:
88 in-lbs (10Nm)



6. Open glove box lid. Install four retained screws **E** around glove box opening and three retained screws **F** in front of dashboard top **D**. Torque screws to specification.

TORQUE

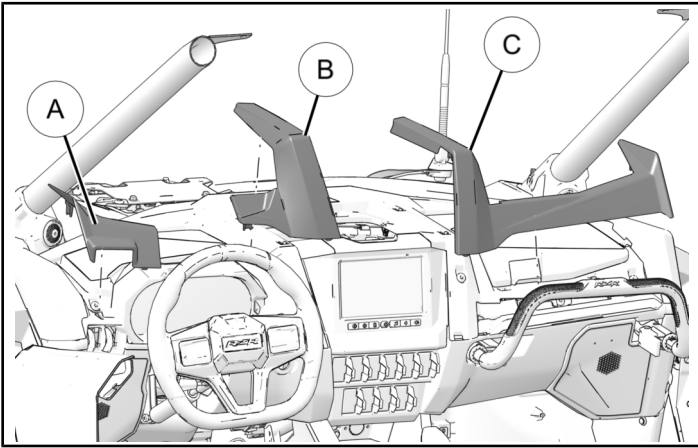
Screw **E** and **F**:
88 in-lbs (10 Nm)



7. Install retained left (A), center (B), and right (C) dash trim pieces.

TIP

Release steering tilt lock for better access.



GENERAL

1. Reinstall center dashboard storage compartment.
2. Reinstall center hood panel.

FEEDBACK FORM

A feedback form has been created for the installer to provide any comments, questions or concerns about the installation instructions. The form is viewable on mobile devices by scanning the QR code or by clicking [HERE](#) if viewing on a PC.

