

# ROCK SLIDERS KIT



P/N 2883760-XXX, 2883997-XXX

## APPLICATION

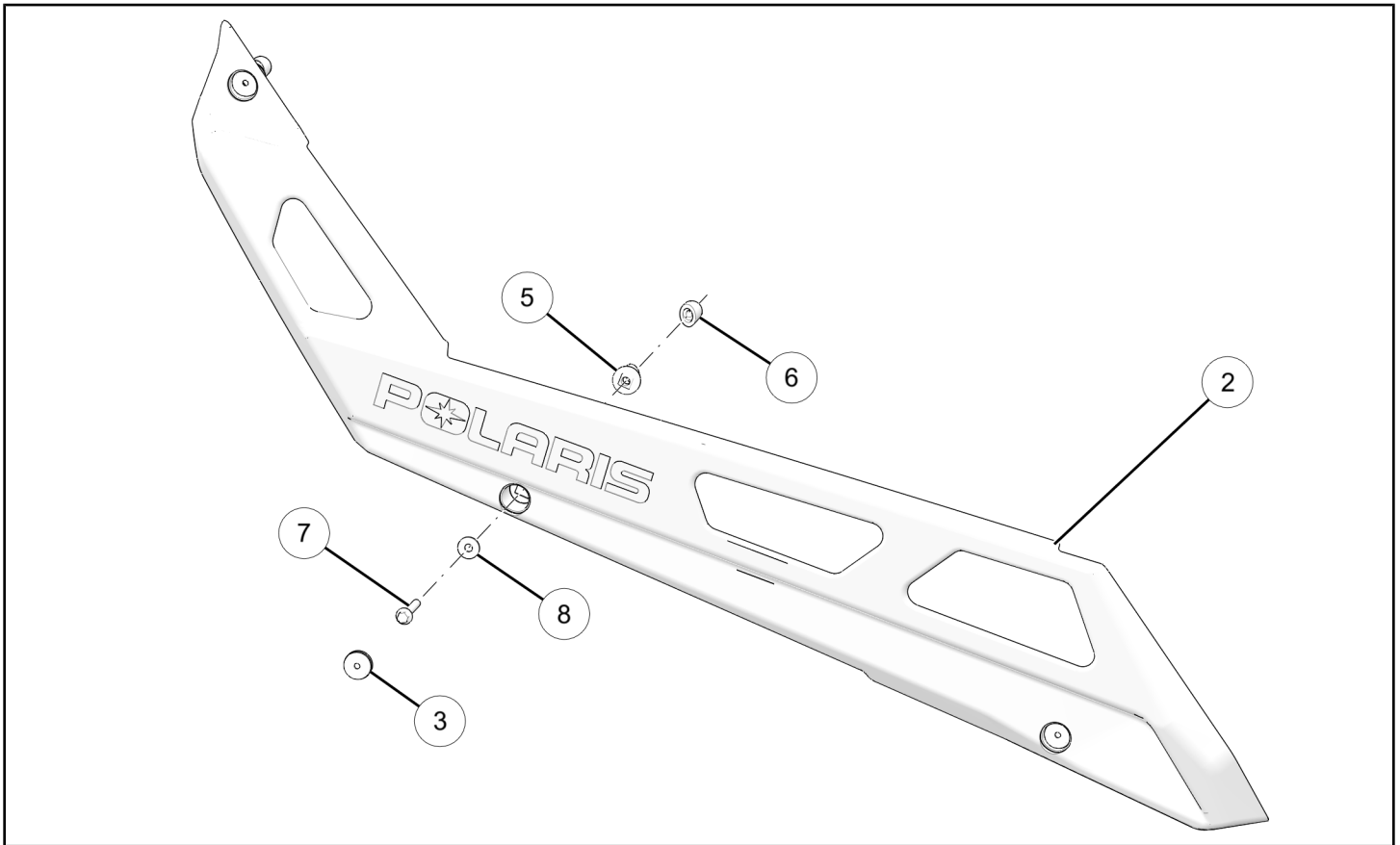
Verify accessory fitment at [Polaris.com](http://Polaris.com).

## BEFORE YOU BEGIN

Read these instructions and check to be sure all parts and tools are accounted for. Please retain these installation instructions for future reference and parts ordering information.

## KIT CONTENTS

### LOW PROFILE ROCK SLIDERS, P/N 2883760-XXX



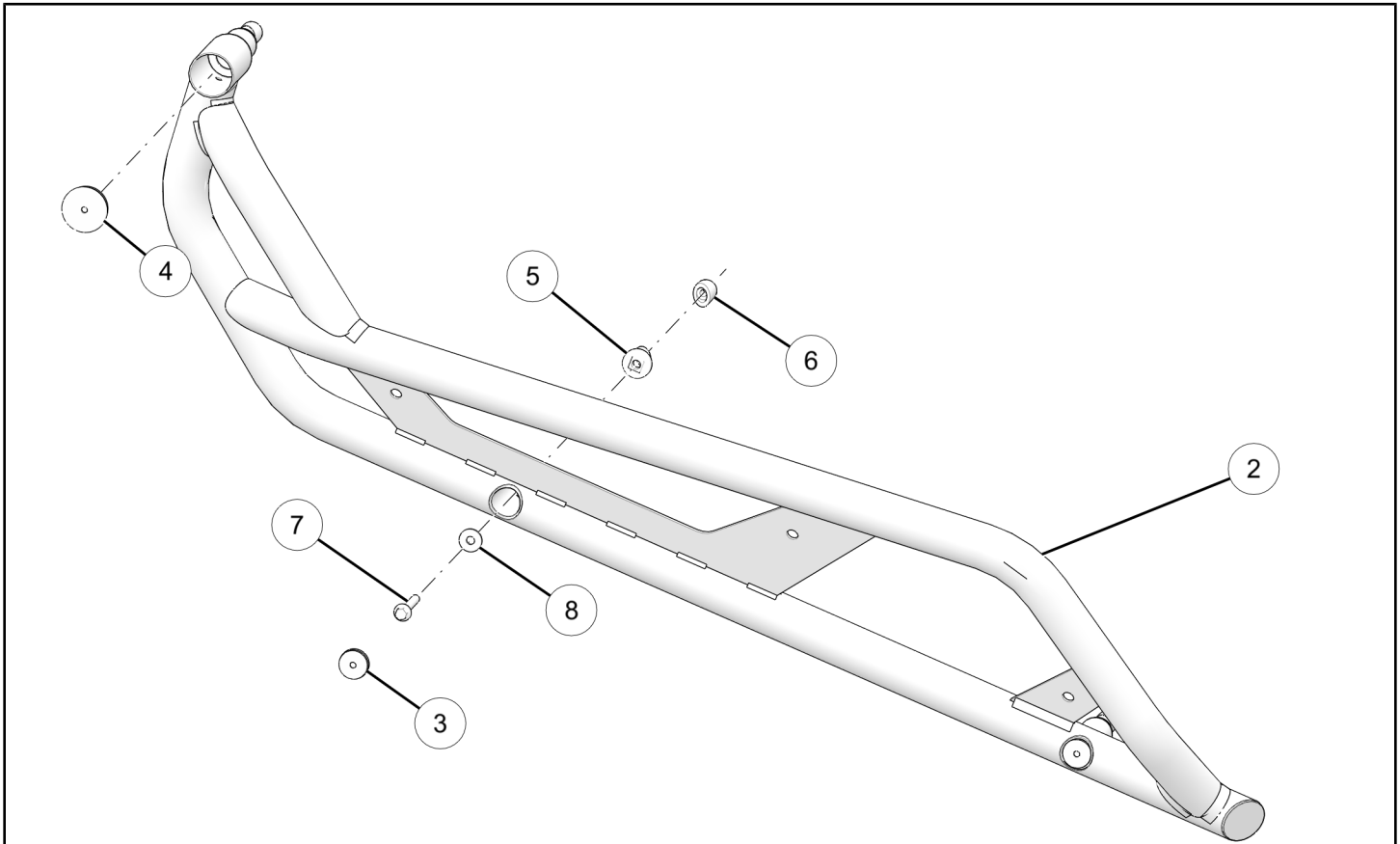
#### NOTE

Right-hand shown; left-hand similar.  
XXX = Polaris® color code (For example: 458 = Black)

REF	QTY	PART DESCRIPTION	P/N AVAILABLE SEPARATELY	AVAILABLE HARDWARE KIT
1	1	Weld-Rock Slider, Low Profile, Left-Hand	n/a	n/a
2	1	Weld-Rock Slider, Low Profile, Right-Hand	n/a	n/a
3	6	Plug-End Cap, 1.125 in. Diameter, Ribbed	n/a	2207777
5	6	Anchor-Wedge Lock, Unthreaded	n/a	2207777

REF	QTY	PART DESCRIPTION	P/N AVAILABLE SEPARATELY	AVAILABLE HARDWARE KIT
6	6	Anchor–Wedge Lock, Threaded	n/a	2207777
7	6	Screw, M8 x 1.25 mm x 55 mm, Hex Flange	n/a	2207777
8	6	Washer, 0.327 mm x 0.875 mm x 0.090 mm, Flange	n/a	2207777

**PREMIUM ROCK SLIDERS, P/N 2883997-XXX**



**NOTE**  
Right-hand shown; left-hand similar.

REF	QTY	PART DESCRIPTION	P/N AVAILABLE SEPARATELY	AVAILABLE HARDWARE KIT
1	1	Weld–Rock Slider, Nerf Bar, Premium, Left-Hand	n/a	n/a
2	1	Weld–Rock Slider, Nerf Bar, Premium, Right-Hand	n/a	n/a
3	4	Plug–End Cap, 1.125 in. Diameter., Ribbed	n/a	2207960
4	2	Plug–End Cap, 1.625 in. Diameter., Ribbed	n/a	2207960
5	6	Anchor–Wedge Lock, Unthreaded	n/a	2207960
6	6	Anchor–Wedge Lock, Threaded	n/a	2207960
7	6	Screw, M8 x1.25 mm x 55 mm, Hex Flange	n/a	2207960
8	6	Washer, 0.327 mm x 0.875 mm x 0.090 mm, Flange	n/a	2207960

## TOOLS REQUIRED

- Safety Glasses
- Socket Set, Metric
- Torque Wrench

## IMPORTANT

Your Rock Sliders Kit is exclusively designed for your vehicle. Please read the installation instructions thoroughly before beginning. Installation is easier if the vehicle is clean and free of debris. For your safety, and to ensure a satisfactory installation, perform all installation steps correctly in the sequence shown.

## INSTALLATION INSTRUCTIONS

### VEHICLE PREPARATION

#### GENERAL

1. Shift vehicle transmission into PARK. Turn key to OFF position and remove from vehicle.

### ACCESSORY INSTALLATION

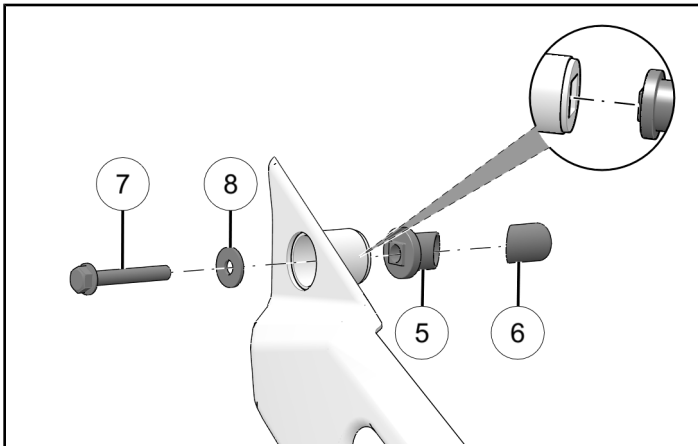
#### NOTE

*Low Profile Rock Slider Kit, P/N 2883760-XXX shown, Premium Rock Slider Kit, P/N 2883997-XXX similar, except where specified.*

#### NOTE

Right-hand rock slider shown; left-hand similar.

1. Pass one anchor fastener ⑦ through washer ⑧, rock slider, wedge anchor ⑤, and loosely thread into wedge anchor ⑥. Repeat for each wedge anchor assembly.



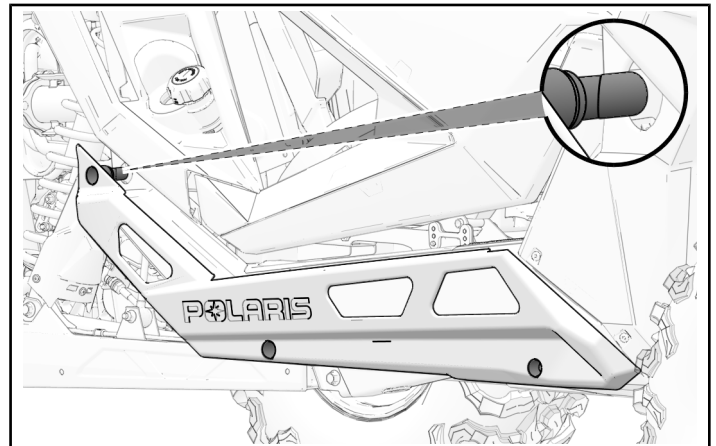
2. Align three wedge lock anchor assemblies of rock slider within vehicle chassis. Ensure each anchor assembly is fully seated before torquing.

#### TIP

Rotate wedge assembly 1/4 turn if wedge does not fit properly. Fitment should be tight.

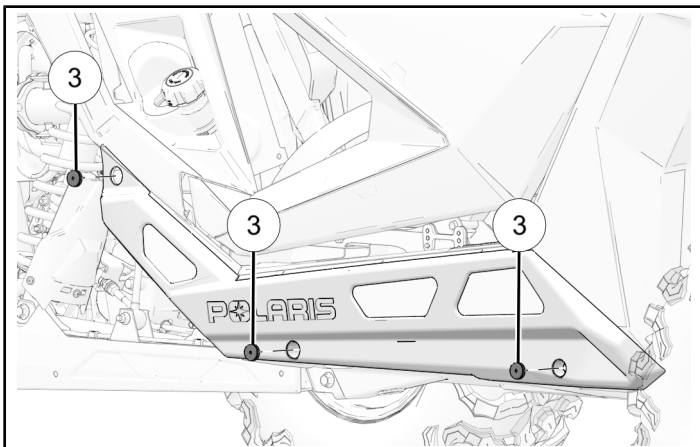
#### TORQUE

Wedge Anchor Fasteners ⑦:  
**20 ft-lbs (27 N·m)**

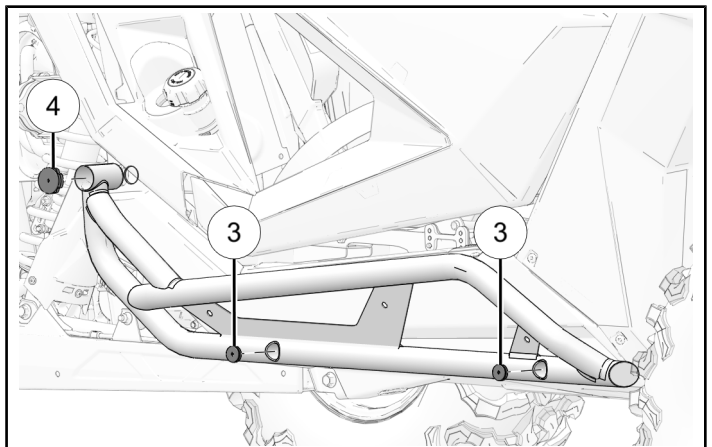


3. Firmly push end caps ③ and ④ (*Premium Rock Sliders Kit only*) into each mounting location.

- Low Profile Rock Sliders, P/N 2883760-XXX



- Premium Rock Sliders, P/N 2883997-XXX



## FEEDBACK FORM

A feedback form has been created for the installer to provide any comments, questions or concerns about the installation instructions. The form is viewable on mobile devices by scanning the QR code or by clicking [HERE](#) if viewing on a PC.

