

FULL WINDSHIELD KIT



P/N 2884018, 2884330

BEFORE YOU BEGIN

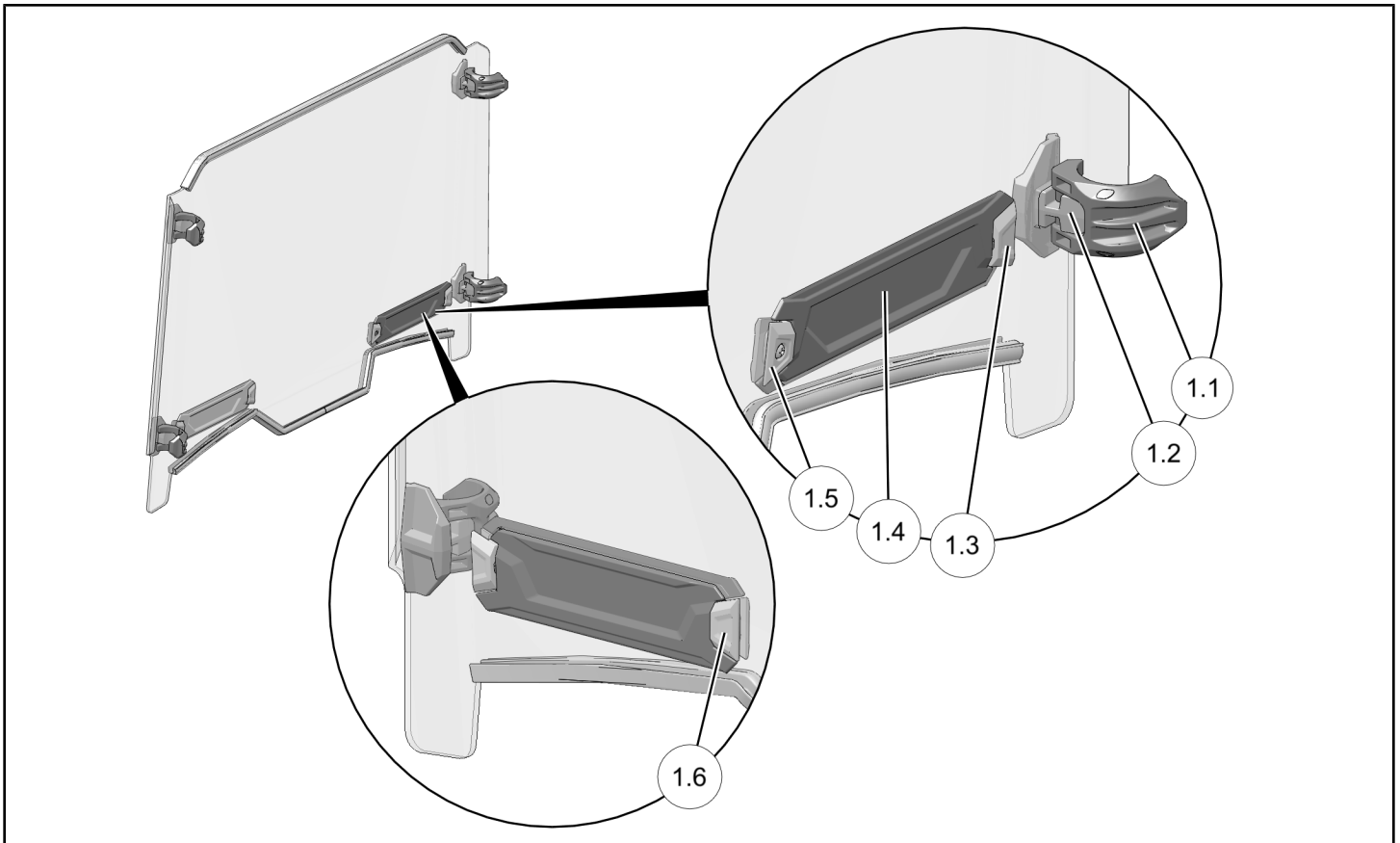
Read these instructions and check to be sure all parts and tools are accounted for. Please retain these installation instructions for future reference and parts ordering information.

KIT CONTENTS

This Kit includes:

NOTE

Kit PN 2884330 shown; Kit PN 2884018 similar except as noted below.



REF	QTY	PART DESCRIPTION	PART NUMBER	INCLUDED IN SERVICE KIT
1	1	Windshield, Poly (includes parts 1.1–1.2) (not shown)	-	-
	1	Windshield, Poly Vented (includes parts 1.1–1.6)	-	-
1.1	4	- Clamp, Base	-	2207386*
1.2	4	- Clamp, Lever	-	2207386*
1.3	2	- Vent, Keeper, Outboard (Kit PN 2884330 only)	5455902	-
1.4	2	- Vent, Flap (Kit PN 2884330 only)	5455903	-

REF	QTY	PART DESCRIPTION	PART NUMBER	INCLUDED IN SERVICE KIT
1.5	2	- Vent, Keeper, Inboard, Interior (Kit 2884330 only)	5455901	-
1.6	2	- Vent, Keeper, Inboard, Exterior (Kit 2884330 only)	5455900	-

* Service kit contains parts and hardware required for ONE side of vehicle.

TOOLS REQUIRED

None

IMPORTANT

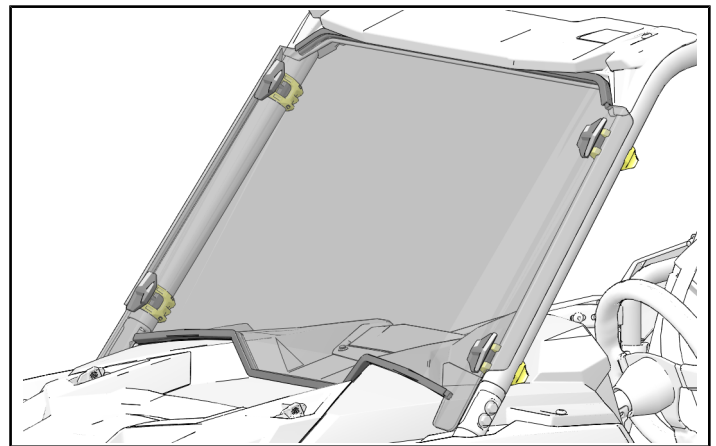
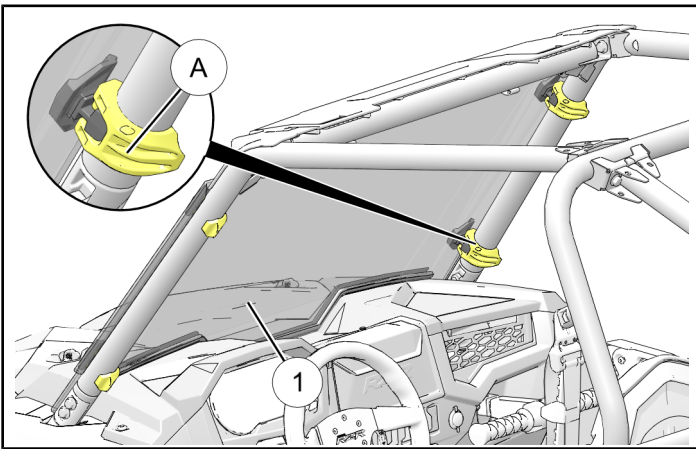
Your Full Windshield Kit is exclusively designed for your vehicle. Please read the installation instructions thoroughly before beginning. Installation is easier if the vehicle is clean and free of debris. For your safety, and to ensure a satisfactory installation, perform all installation steps correctly in the sequence shown.

INSTALLATION INSTRUCTIONS

NOTE

Poly windshield shown; poly vented windshield similar.

1. Shift vehicle transmission into "PARK". Turn ignition switch to "OFF" position and remove key.
2. Open four clamps (A), position lower edge of windshield (1) against dash panel, then lock clamps to A-pillars.



WARNING

If transporting vehicle in non-enclosed trailer then vehicle must FACE FORWARD, or windshield must be removed.
Failure to comply may allow airflow, vibration, or other factors to separate windshield from vehicle and cause an accident, resulting in serious personal injury or death.

FEEDBACK FORM

A feedback form has been created for the installer to provide any comments, questions or concerns about the installation instructions. The form is viewable on mobile devices by scanning the QR code or by clicking [HERE](#) if viewing on a PC.

