

ALUMINUM ROOF KIT



P/N 2883990-XXX, 2883991-XXX

APPLICATION

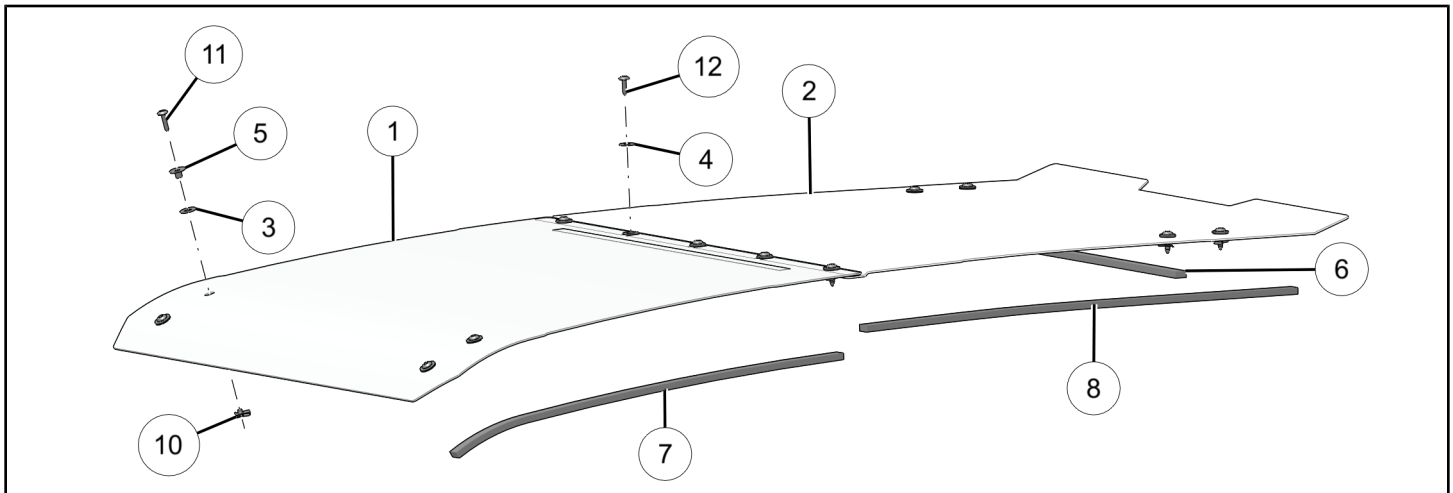
Verify accessory fitment at Polaris.com.

BEFORE YOU BEGIN

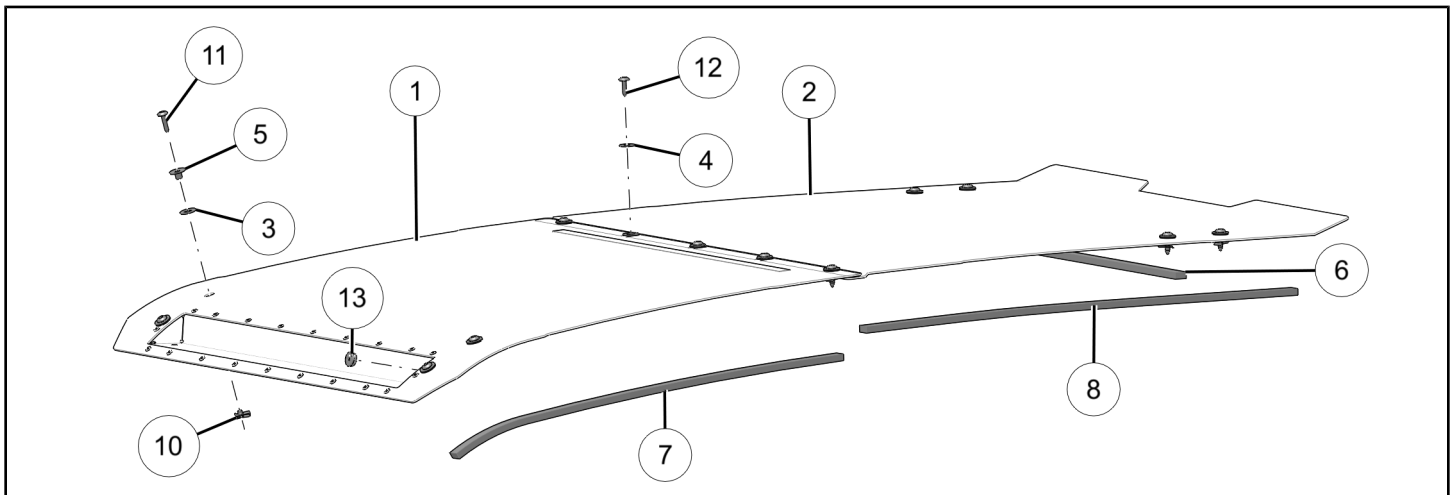
Read these instructions and check to be sure all parts and tools are accounted for. Please retain these installation instructions for future reference and parts ordering information.

KIT CONTENTS

P/N 2883990-XXX



REF	QTY	PART DESCRIPTION	P/N AVAILABLE SEPARATELY	AVAILABLE HARDWARE KIT
1	1	Assembly–Panel, Roof, Aluminum, Multi-Passenger	n/a	n/a
2	1	Panel–Main, Roof, Aluminum, Rear	n/a	n/a
3	13	Washer–Rubber	n/a	2207881
4	3	Washer	n/a	2207881
5	10	Spacer–Roof	n/a	2207881
6	3	Foam	5814826-693	n/a
7	2	Foam	5814826-729	n/a
8	2	Foam	5814826-800	n/a
9	1	Tape–Foam, Panel Seal (not shown)	5814851	n/a
10	13	Clip–U, Speed Nut	n/a	2207881
11	10	Screw–Torx® Truss Head, M6 x 1.0 mm x 30 mm	n/a	2207881
12	3	Screw–Torx® Truss Head, M6 x 1.0 mm x 25 mm	n/a	2207881



REF	QTY	PART DESCRIPTION	P/N AVAILABLE SEPARATELY	AVAILABLE HARDWARE KIT
1	1	Assembly-Panel, Roof, Aluminum, Pocket, Multi-Passenger	n/a	n/a
2	1	Panel-Main, Roof, Aluminum, Rear	n/a	n/a
3	13	Washer-Rubber	n/a	2207881
4	3	Washer	n/a	2207881
5	10	Spacer-Roof	n/a	2207881
6	3	Foam	5814826-693	n/a
7	2	Foam	5814826-729	n/a
8	2	Foam	5814826-800	n/a
9	1	Tape-Foam, Panel Seal (not shown)	5814851	n/a
10	13	Clip-U, Speed Nut	n/a	2207881
11	10	Screw-Torx® Truss Head, M6 x 1.0 mm x 30 mm	n/a	2207881
12	3	Screw-Torx® Truss Head, M6 x 1.0 mm x 25 mm	n/a	2207881
13	1	Grommet-Rubber	5413027	2207881

TOOLS REQUIRED

- Safety Glasses
- Socket Set, Torx® Bit
- Torque Wrench

IMPORTANT

Your Aluminum Roof Kit is exclusively designed for your vehicle. Please read the installation instructions thoroughly before beginning. Installation is easier if the vehicle is clean and free of debris. For your safety, and to ensure a satisfactory installation, perform all installation steps correctly in the sequence shown.

INSTALLATION INSTRUCTIONS

NOTE

Aluminum Roof Kit P/N 2883990-XXX shown,
Aluminum Roof with Light Bar Pocket Kit P/N
2883991-XXX similar except where specified.

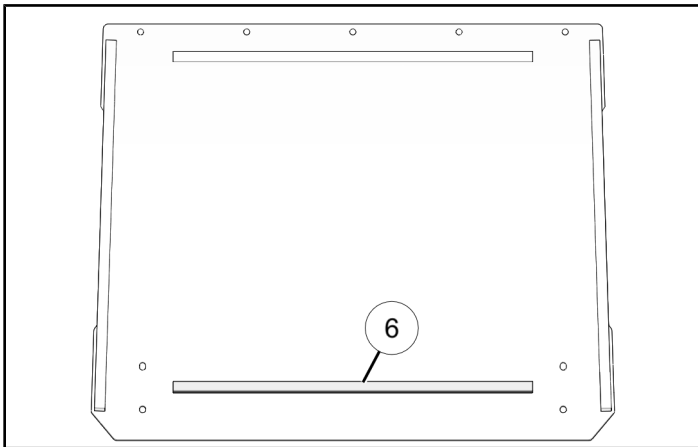
VEHICLE PREPARATION

GENERAL

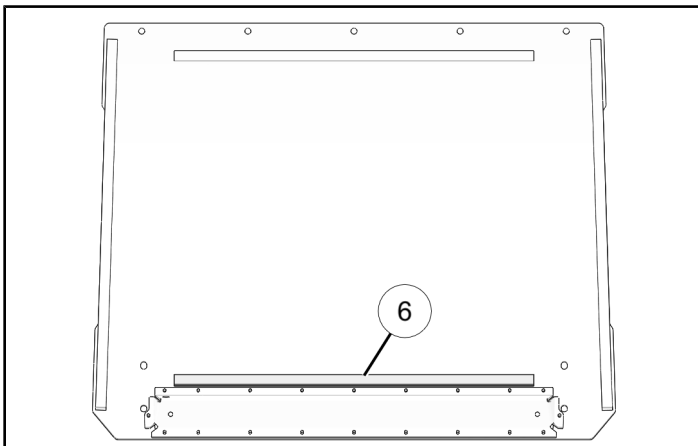
1. Shift vehicle transmission into PARK. Turn key to OFF position and remove from vehicle.

ACCESSORY INSTALLATION

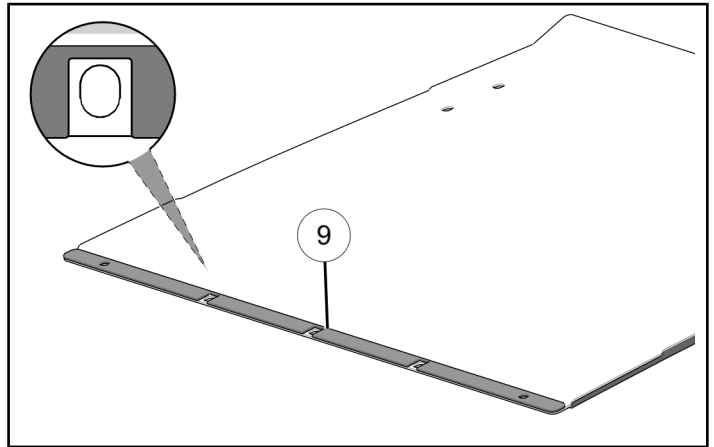
1. Peel backing from adhesive side and apply foam piece ⑥ to underside of roof panel within etched dashed marks or against rivets of light bar pocket.
 - P/N 2883990-XXX



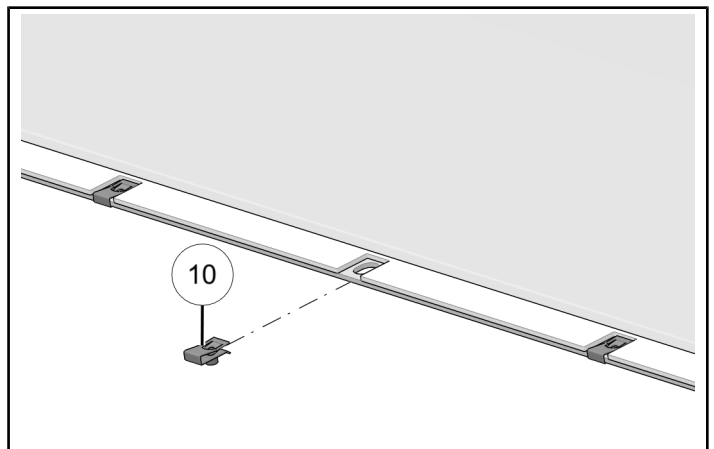
- P/N 2883991-XXX



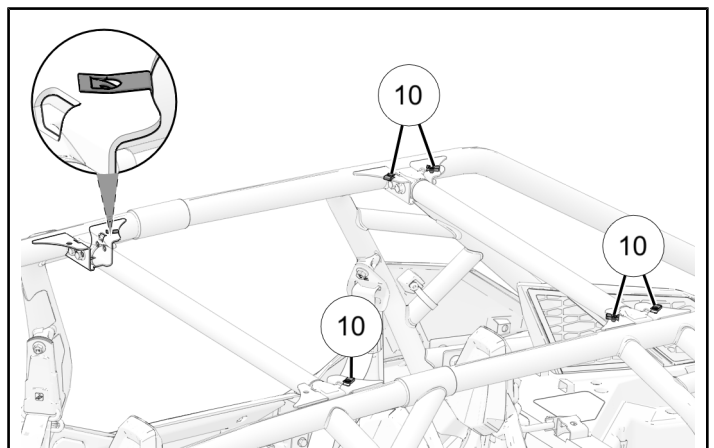
2. Flip rear panel over and apply foam tape ⑨ to front-most lip of rear panel. Ensure cut-outs in foam tape face outwards to allow U-nuts to be installed.



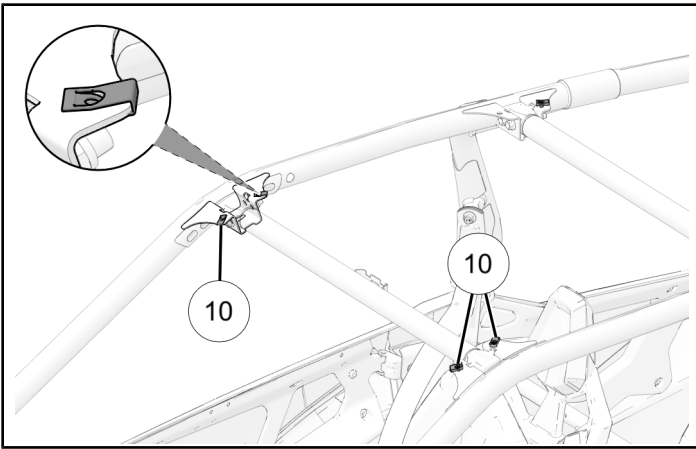
3. Install three U-nuts ⑩ onto rear roof panel.



4. Install six U-nuts ⑩ onto ROPS, as shown.



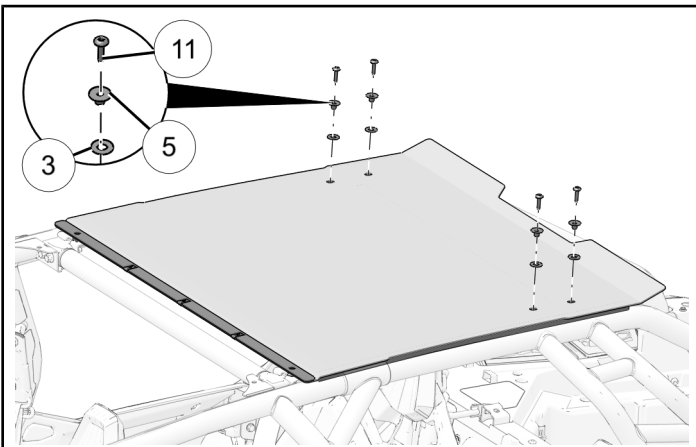
5. Install four U-nuts ⑩ onto ROPS, as shown.



6. Install rear roof panel with four fasteners ⑪, four spacers ⑤, and four washers ③.

TORQUE

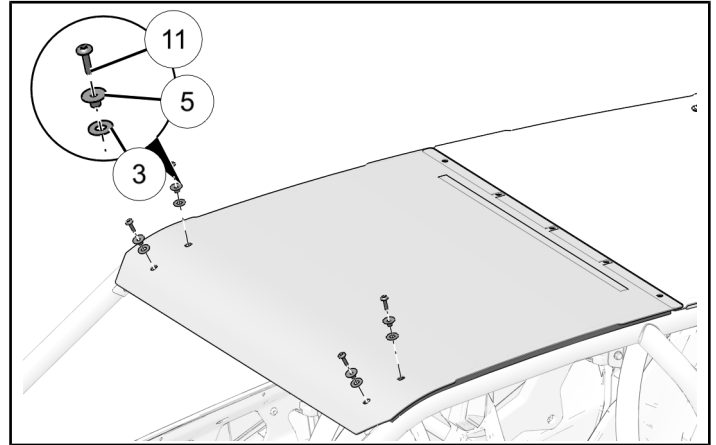
Roof Fasteners ⑪:
8 ft-lbs (11 N·m)



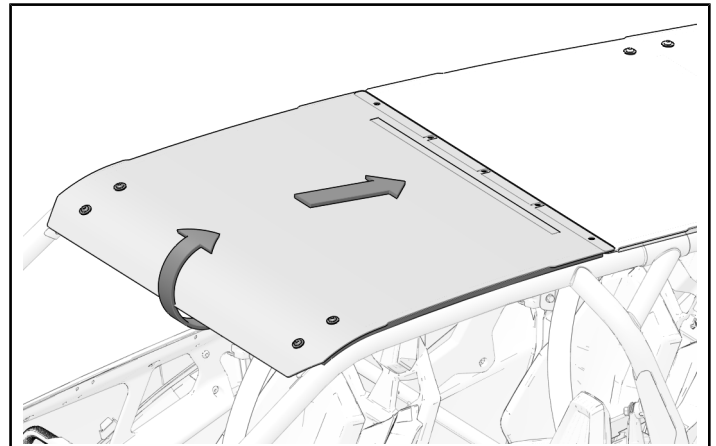
7. Install front roof panel with four fasteners ⑪, four spacers ⑤, and four washers ③.

TORQUE

Roof Fasteners ⑪:
8 ft-lbs (11 N·m)

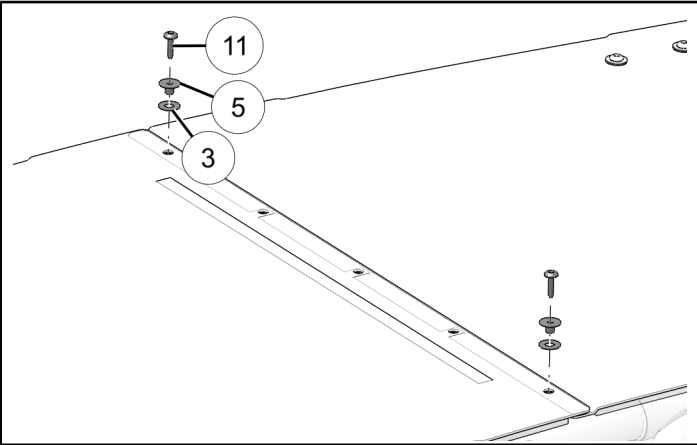


8. With front of roof panel secure to ROPS, begin to slowly pull roof panel back so that it molds to curvature of ROPS.



9. Install outside edges of front roof panel to rear roof panel with two fasteners ⑪, two spacers ⑤, and two washers ③

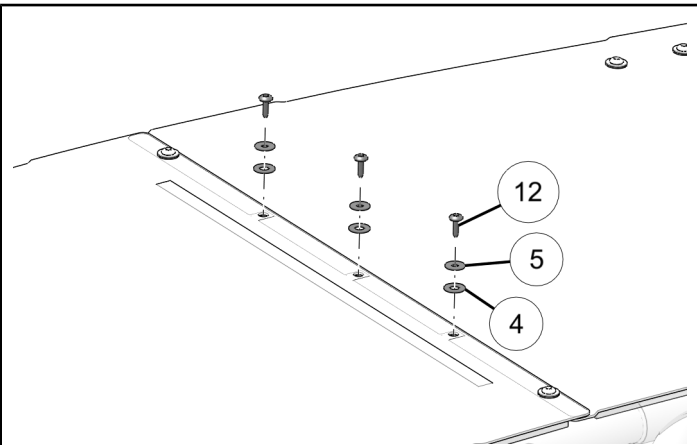
Do not torque roof fasteners ⑪ at this time.



10. Install inside of front roof panel to rear roof panel with three fasteners ⑫, three spacers ⑤, and three washers ④

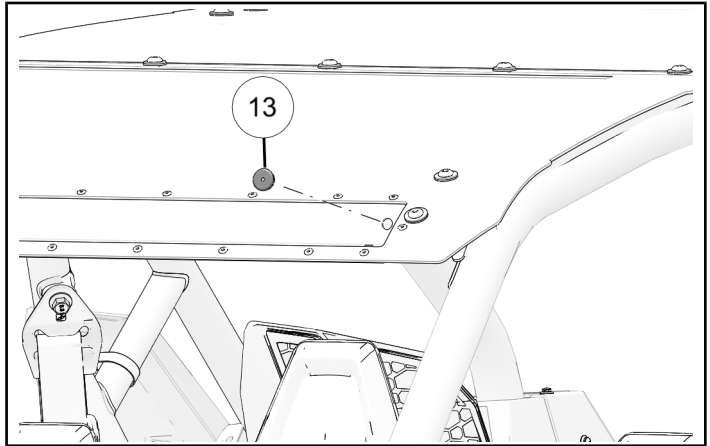
TORQUE
 Roof Fasteners ⑪:
8 ft-lbs (11 N·m)

TORQUE
 Roof Fasteners ⑫:
8 ft-lbs (11 N·m)



11. **P/N 2883991-XXX Only:**

Push rubber grommet ⑬ into light bar harness routing hole until it is securely seated.



12. Verify torque specification of roof fasteners.
 Torque may change due to foam compression.

TORQUE
 Roof Fasteners ⑪:
8 ft-lbs (11 N·m)

FEEDBACK FORM

A feedback form has been created for the installer to provide any comments, questions or concerns about the installation instructions. The form is viewable on mobile devices by scanning the QR code or by clicking [HERE](#) if viewing on a PC.

