

# POLY ROOF KIT



P/N 2883946

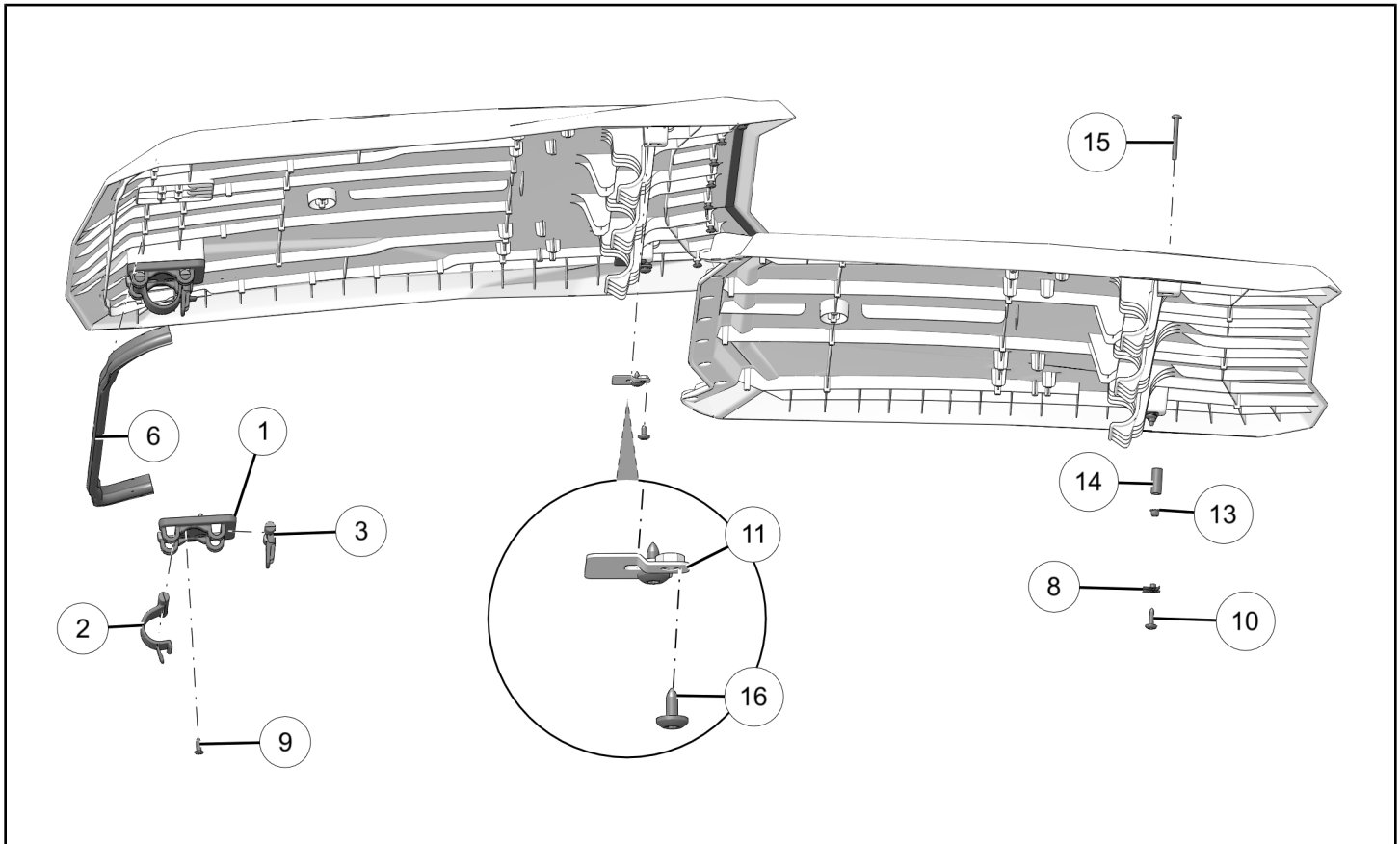
## APPLICATION

Verify accessory fitment at [www.polaris.com](http://www.polaris.com).

## BEFORE YOU BEGIN

Read these instructions and check to be sure all parts and tools are accounted for. Please retain these installation instructions for future reference and parts ordering information.

## KIT CONTENTS



REF	QTY	PART DESCRIPTION	P/N AVAILABLE SEPARATELY	AVAILABLE SERVICE KIT
1	2	Clamp-Base, Roof	n/a	2207824
2	2	Clamp-Hoop, Roof	n/a	2207824
3	2	Clamp-Latch, Roof	n/a	2207824
4	1	Panel-Roof, Front	n/a	n/a
5	1	Panel-Roof, Rear	n/a	n/a
6	1	Seal-Clip	n/a	2207884
7	1	Tape-Foam, Panel Seal, Multi-Passenger (not shown)	n/a	2207884

REF	QTY	PART DESCRIPTION	P/N AVAILABLE SEPARATELY	AVAILABLE SERVICE KIT
8	2	Clip-U, Speed Nut	7081305	2207884
9	17	Screw-Torx® Truss Head, #14 x 3/4, Hi/Lo	7519045	2207884
10	2	Screw-Torx® Truss Head, M6 x 1.0 mm x 25 mm	7519650	2207884
11	1	Bracket-Roof Doghouse, Left-House	5269413-329	2207884
12	1	Bracket-Roof Doghouse, Right-House (not shown)	5269414-329	2207884
13	2	Nut-Hex Flange, Nylon Locking, M6 x 1.0	7547453	2207884
14	2	Spacer-Roof Doghouse	5143403-329	2207884
15	2	Screw-Torx® Truss Head, M6 x 1.0 x 60	7518882	2207884
16	4	Screw-Torx® Truss Head, M6 x 1.0 x 16	7518936	2207884

## TOOLS REQUIRED

- Safety Glasses
- Drill
- Drill Bit:
  - 5/16 in (8 mm)
- Screwdriver Set, Torx®
- Socket Set, Hex Bit, Metric
- Socket Set, Torx® Bit
- Tape Measure
- Torque Wrench

## IMPORTANT

Your Poly Roof Kit is exclusively designed for your vehicle. Please read the installation instructions thoroughly before beginning. Installation is easier if the vehicle is clean and free of debris. For your safety, and to ensure a satisfactory installation, perform all installation steps correctly in the sequence shown.

## INSTALLATION INSTRUCTIONS

### ⚠ WARNING

If transporting vehicle in non-enclosed trailer then roof must be removed or rear panel must be secured to ROPS with fastener, spacer, and nut combination. Failure to comply may allow airflow, vibration, or other factors to separate roof from vehicle and cause an accident, resulting in serious personal injury or death. Always trailer vehicle with roof removed or properly secured.

### IMPORTANT

Aggressive driving conditions require roof to be secured to ROPS at additional mounting locations. Secure rear panel with fastener, spacer, and nut combination.

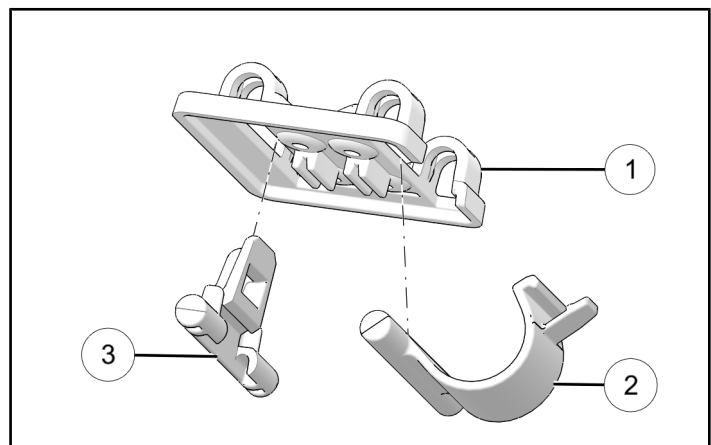
## VEHICLE PREPARATION

### GENERAL

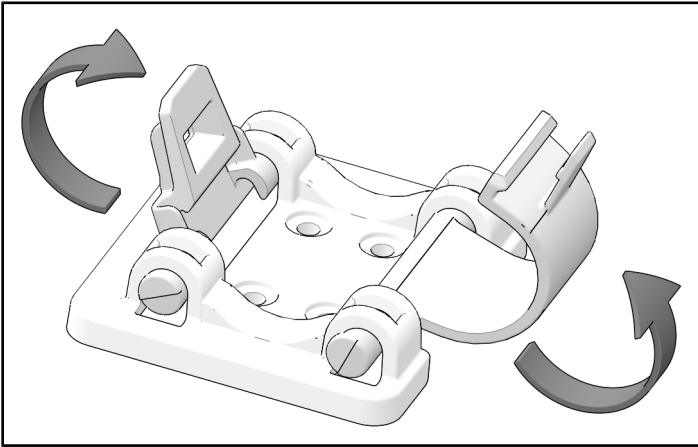
1. Shift vehicle transmission into PARK. Turn key to OFF position and remove from vehicle.

## ACCESSORY INSTALLATION

1. Snap hoop ② and latch ③ into clamp base ①.



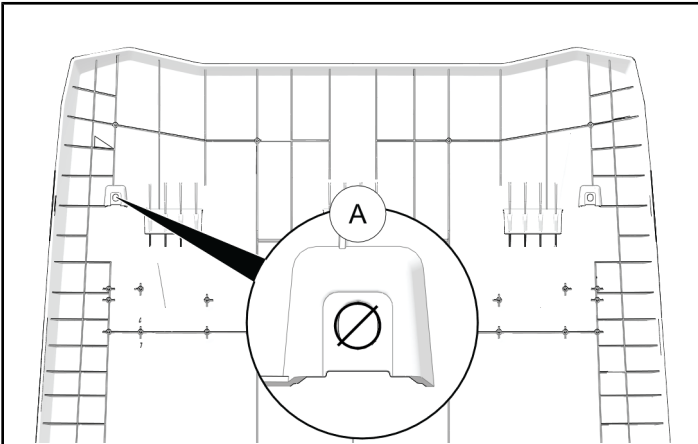
2. Test hoop and latch movement to ensure both are fully installed.



3. For aggressive riding conditions:  
Prepare rear panel for mounting. Drill one hole through each doghouse and up through roof panel.

#### MEASUREMENT

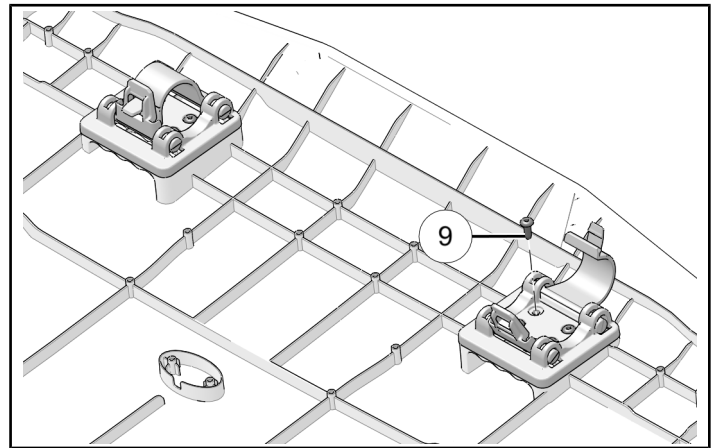
Measurement (A):  
**5/16 in (8 mm)**



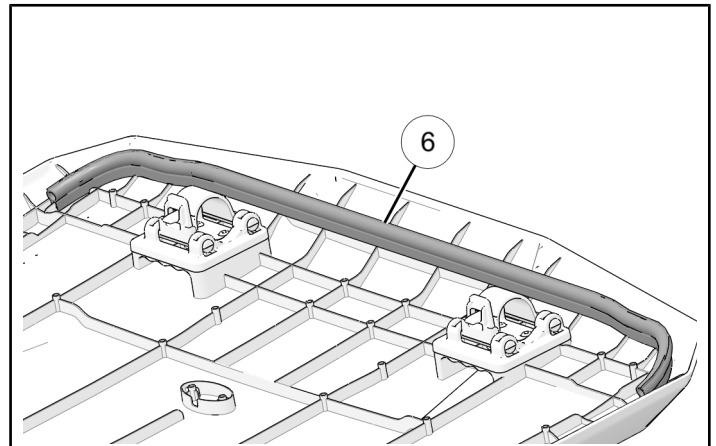
4. Install each clamp assembly onto front roof panel with four clamp fasteners (9).

#### TORQUE

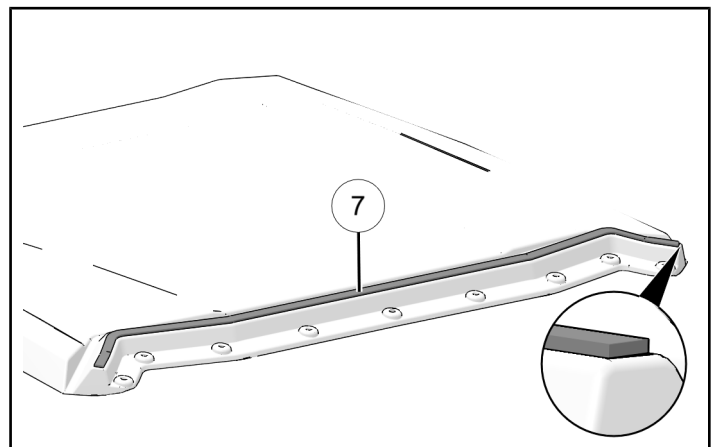
Clamp Fasteners (9):  
**20 in-lbs (2 N·m)**



5. If vehicle is equipped with windshield:  
Install seal (6) onto ridge of roof front roof panel.



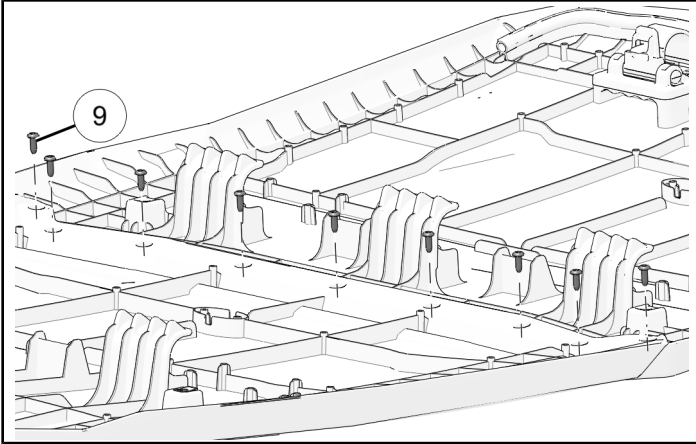
6. Apply foam tape (7) to front ridge of rear roof panel.



7. Place both roof panels upside down on clean surface. Overlap front roof panel with rear panel. Connect two panels with nine roof fasteners ⑨.

**TORQUE**

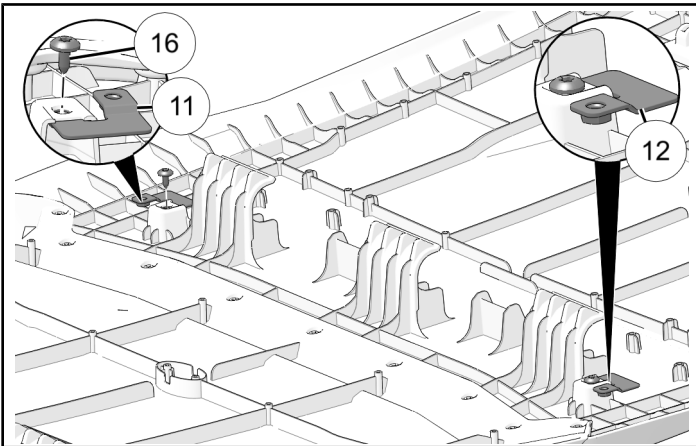
Roof Fasteners ⑨ (Rear Panel to Front Panel):  
**20 in-lbs (2 N·m)**



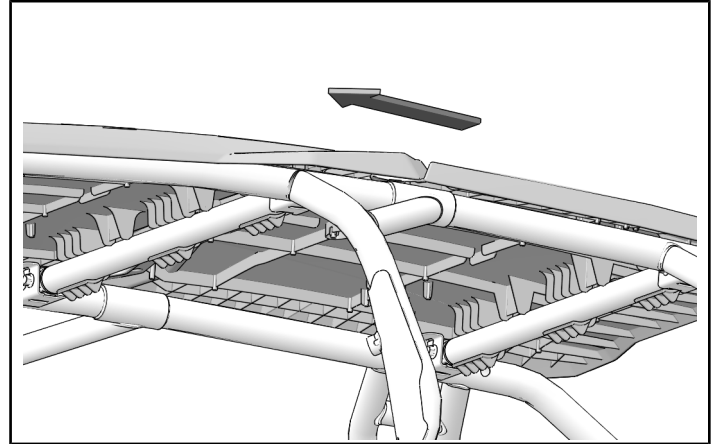
8. Insert bracket ⑪ into front roof panel and secure with one bracket fastener ⑯.

**TORQUE**

Bracket Fasteners ⑯:  
**8 ft-lbs (11 N·m)**



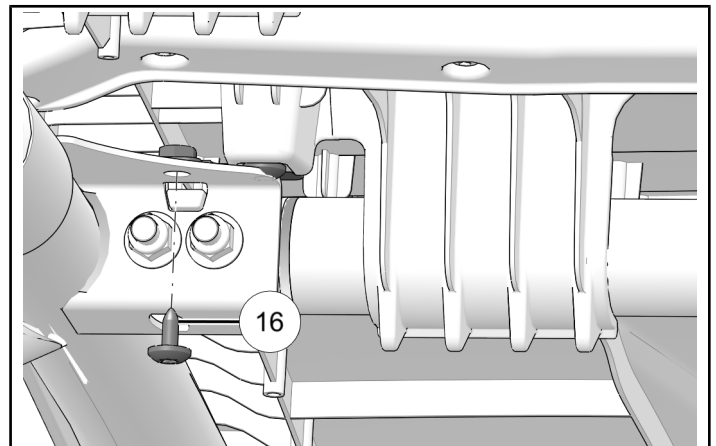
9. With assistance, place roof assembly on top of ROPS. Ensure roof panels hook onto rear cross beam and center cross beam.



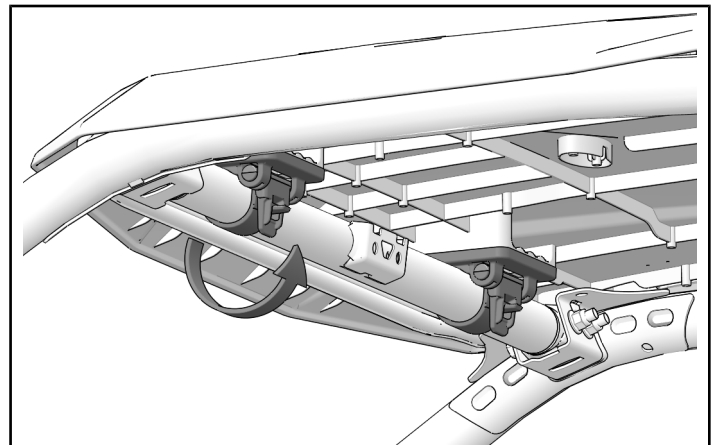
10. Pass one fastener through ROPS weldment and into roof bracket. Repeat this step for opposite side.

**TORQUE**

Bracket Fasteners ⑯:  
**8 ft-lbs (11 N·m)**



11. Install front roof panel onto front cross beam with clamps.



**⚠ WARNING**

If transporting vehicle in non-enclosed trailer then roof must be removed or rear panel must be secured to ROPS with fastener, spacer, and nut combination. Failure to comply may allow airflow, vibration, or other factors to separate roof from vehicle and cause an accident, resulting in serious personal injury or death. Always trailer vehicle with roof removed or properly secured.

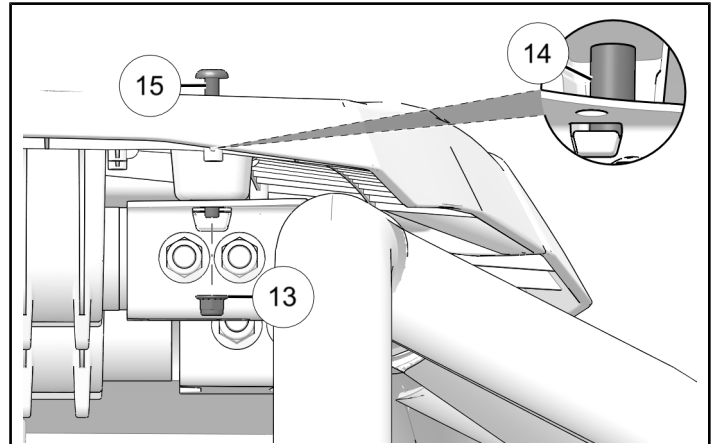
**IMPORTANT**

Aggressive driving conditions require roof to be secured to ROPS at additional mounting locations. Secure rear panel with fastener, spacer, and nut combination.

12. For aggressive riding conditions:  
Insert spacer ⑭ into rear roof panel doghouse.  
Pass one fastener ⑮ through roof panel, spacer, and ROPS weldment. Secure with one nut ⑬.  
Repeat this step for opposite side.

**TORQUE**

Nut ⑬:  
**8 ft-lbs (11 N·m)**



**FEEDBACK FORM**

A feedback form has been created for the installer to provide any comments, questions or concerns about the installation instructions. The form is viewable on mobile devices by scanning the QR code or by clicking [HERE](#) if viewing on a PC.

