

CREW CANVAS DOOR KIT



P/N 2883634

BEFORE YOU BEGIN

Read these instructions and check to be sure all parts and tools are accounted for. Please retain these installation instructions for future reference and parts ordering information.

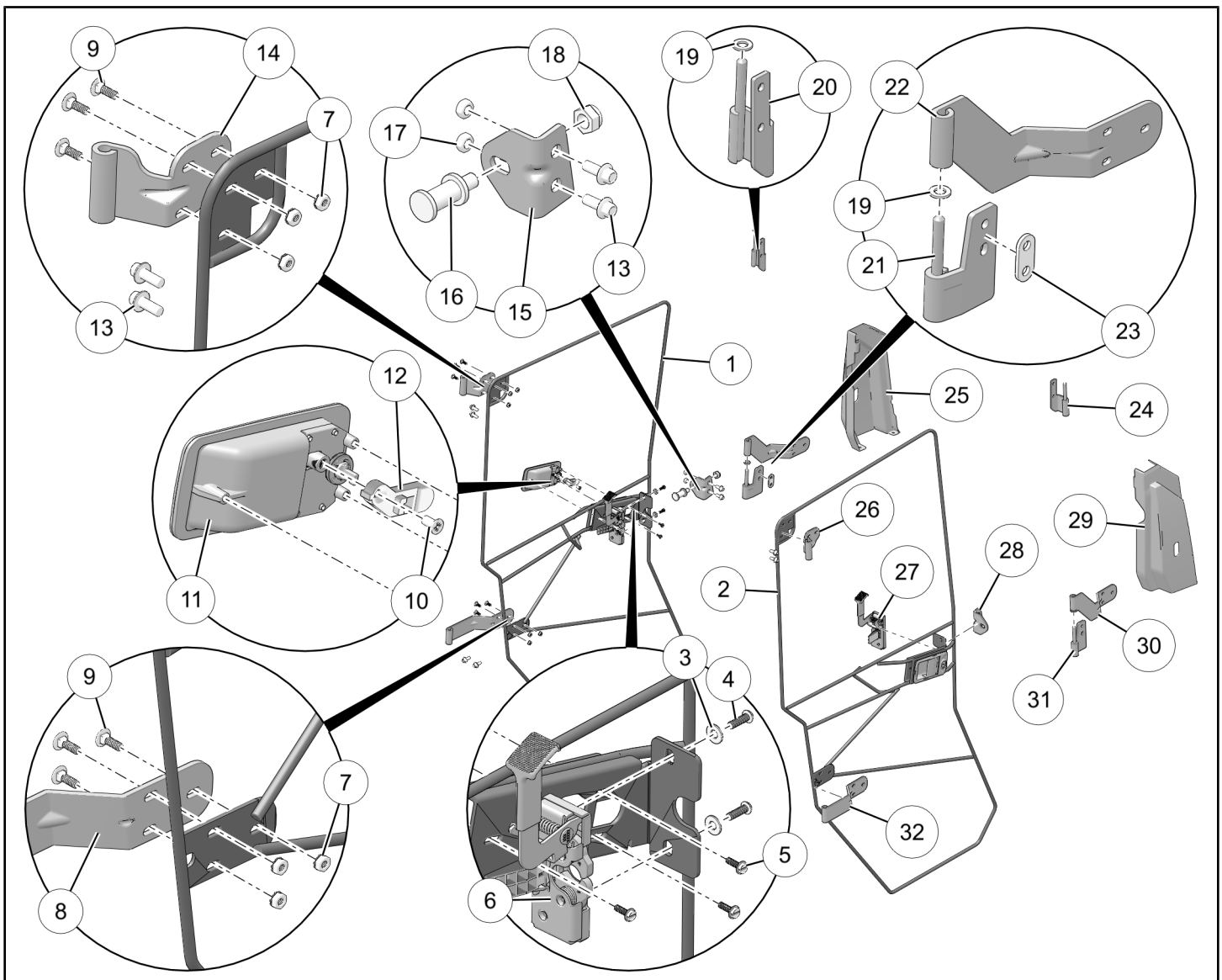
APPLICATION

Verify accessory fitment at Polaris.com.

KIT CONTENTS

NOTE

The CHASSIS-SIDE hinges required to install these rear doors are not included in this kit. They are included in Front Canvas Door Kit 2882902 and in service kit 2207735. See section **INSTALLATION INSTRUCTIONS**, Steps 3–4, for detail.



REF	QTY	PART DESCRIPTION	P/N AVAILABLE SEPARATELY	AVAILABLE SERVICE KIT
1	1	Door Frame, Left (includes item 1.1)	2637395	n/a
1.1	1	- Door Skin, Black, Left (not shown)	n/a	2207863
2	1	Door Frame, Right (includes item 2.1)	2637396	n/a
2.1	1	- Door Skin, Black, Right (not shown)	n/a	2207864
3	4	Washer, Flat - M6	n/a	2207867, 2207868
4	4	Screw, Socket Button Head, M6 X 20 mm	n/a	2207867, 2207868
5	6	Screw, Hex, Serrated Flange 10–32 X 5/8 mm	n/a	2207867, 2207868
6	1	Latch, Interior, Left	n/a	2207867
7	12	Nut, External Tooth Lock Washer 1/4 in X 20 mm	n/a	2207870*
8	1	Hinge, Door Side, Lower Left	n/a	2207870*
9	12	Bolt, Carriage, 1/4 in — (20 mm) X 3/4	n/a	2207870*
10	2	Screw, Phillips Countersunk, 1/4 in — (20 mm) X 1/2 in	n/a	2207867, 2207868
11	2	Latch, Exterior (Left and Right)	n/a	2207867, 2207868
12	2	Lever, Exterior Latch	n/a	2207867, 2207868
13	12	Screw, Hex Flange, M8 X 1.25 X 20 mm	7517838	2207869*
14	1	Hinge, Door Side, Upper Left	n/a	2207870*
15	1	Bracket, Striker, Left	n/a	2207867
16	2	Pin, Striker	n/a	2207867, 2207868
17	4	Nut, Hex Flange, Locking, M8 X 1.25 mm	n/a	2207867, 2207868
18	2	Nut, Hex, M12 X 1.75 mm	n/a	2207867, 2207868
19	4	Washer, Nylon, 10.25 X 19.0 X 2.0 mm	5439712	n/a
20	1	Hinge, Chassis-Side, Upper Left (front door)	n/a	2207869*
21	1	Hinge, Chassis-Side, Lower Left (front door)	n/a	2207869*
22	1	Hinge, Door-Side, Lower Left (front door)	n/a	2207870*
23	2	Spacer	5265312	n/a
24	1	Hinge, Chassis-Side, Upper Right (front door)	n/a	2207869*
25	1	Cover, B-Pillar, Left	5454372–070	n/a
26	1	Hinge, Door Side, Upper Right	n/a	2207870*
27	1	Latch, Interior, Right	n/a	2207868
28	1	Bracket, Striker, Right	n/a	2207868
29	1	Cover, B-Pillar, Right	5454373–070	n/a
30	1	Hinge, Door-Side, Lower Right (front door)	n/a	2207870*
31	1	Hinge, Chassis-Side, Lower Right (front door)	n/a	2207869*
32	1	Hinge, Door Side, Lower Right	n/a	2207870*

* Service kit contains parts and hardware required for BOTH sides of vehicle.

TOOLS REQUIRED

- Safety Glasses
- Cutting Tool
- Pliers, Push Pin Rivet
- Screwdriver, Phillips
- Screwdriver Set, Torx®
- Socket Set, Hex Bit, Metric
- Socket Set, Metric
- Socket Set, SAE
- Torque Wrench
- Wrench Set, Metric

CONSUMABLES REQUIRED

- Gloves, Chemical Resistant
- Grease, Polaris All Season (or equivalent)

IMPORTANT

Your Crew Canvas Door Kit is exclusively designed for your vehicle. Please read the installation instructions thoroughly before beginning. Installation is easier if the vehicle is clean and free of debris. For your safety, and to ensure a satisfactory installation, perform all installation steps correctly in the sequence shown.

INSTALLATION INSTRUCTIONS

NOTICE

Polaris recommends completing installation Steps 1–4 of this Crew Canvas Door Kit **PRIOR TO** installing Front Canvas Door Kit 2882902. Installation of FRONT door hinges on **crew** vehicles is different from installation on **non-crew** vehicles. See Steps 3–4 for detail.

IMPORTANT

Polaris recommends two people install this kit.

1. Shift vehicle transmission into **PARK**. Turn ignition switch to **OFF** position and remove key.
2. Raise vehicle bed.
3. Install lower door-side hinge on **FRONT** door.

NOTICE

Two of the four lower door-side hinges included in this Crew REAR Door Kit will be used on the FRONT doors. The lower door-side hinges included in the FRONT Door Kit will **NOT** be used.

New front lower door-side hinges are required to accommodate different hinge mounting structure between crew and non-crew vehicles.

As a result, do **NOT** follow front door hinge installation instructions included in the Front Door Kit (except as noted below). Follow these instructions instead.

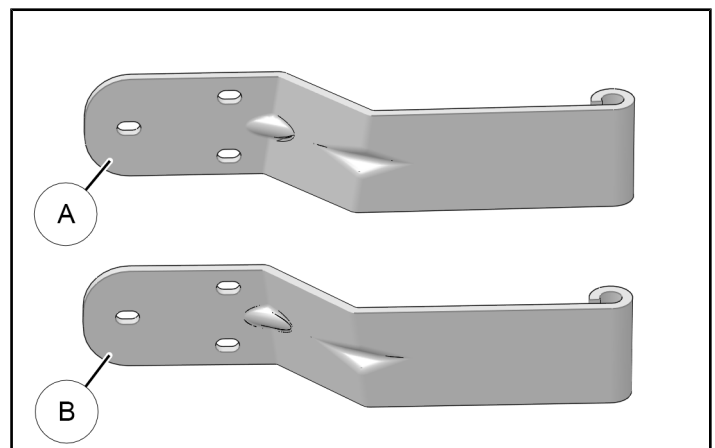
NOTICE

The upper door-side hinges included in the **FRONT Canvas Door Kit 2882902** will be installed as described in the Front Door Kit instructions. No deviation is required for use on crew vehicles.

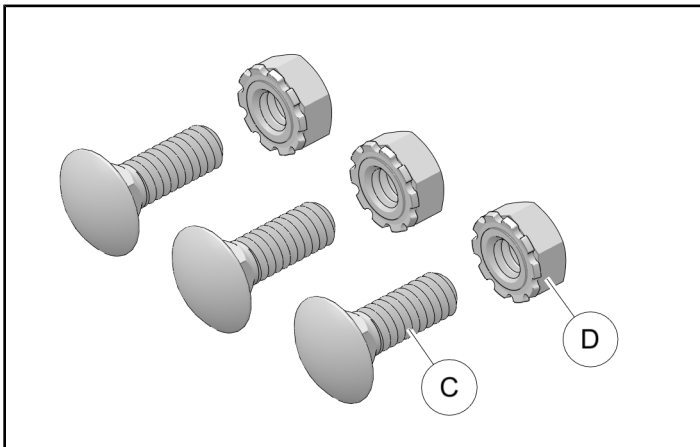
- a. Locate the left and right lower door-side hinges **(A)** and **(B)** included in the **FRONT Canvas Door Kit 2882902**. Set these hinges aside; they will not be used anywhere on a CREW vehicle.

IMPORTANT

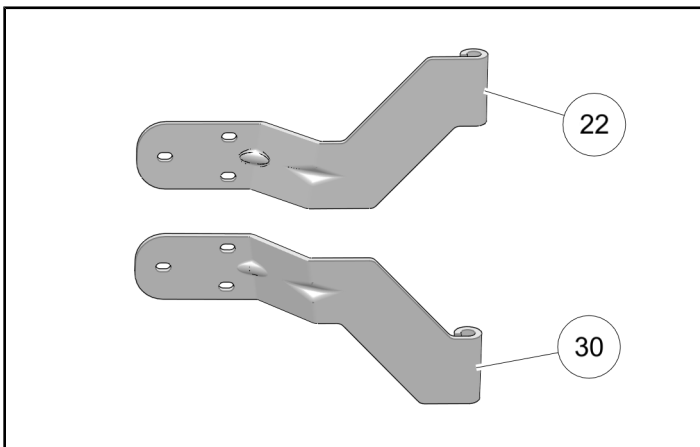
These FRONT door-side hinges look very similar to the REAR door-side hinges included in this Crew Canvas Door Kit. However, they are not identical and should not be used.



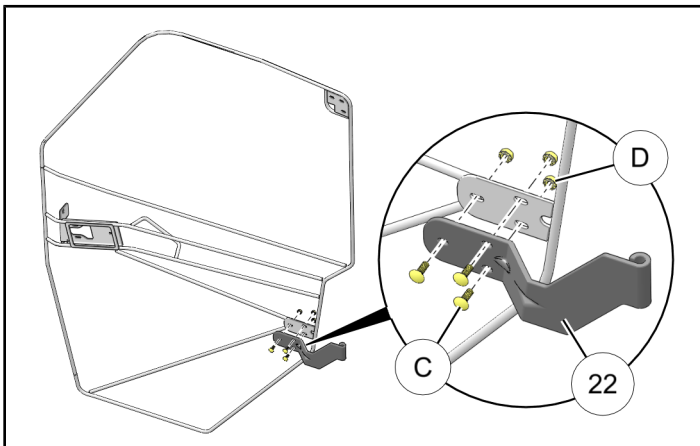
- b. Locate the following hardware included in the **FRONT Canvas Door Kit 2882902**:
- 1/4–20 X 3/4 carriage bolts © (quantity 3)
 - 1/4–20 nuts (with external tooth lock washer) ① (quantity 3)



- c. Identify **left** lower door-side hinge ②. Notice differences from **right** lower door-side hinge ③.



- d. Loosely install left lower door-side hinge ② to **FRONT LH** door using three each carriage bolts © and nuts ①.



4. Install chassis-side hinges for **FRONT** door.

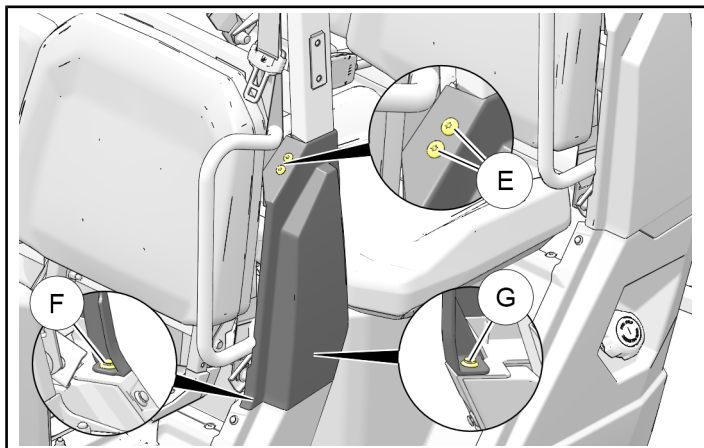
NOTICE

The chassis-side hinges included in this Crew **REAR** Door Kit will be used with the **FRONT** doors. Conversely, the chassis-side hinges included in the **FRONT** Canvas Door Kit 2882902 will be used with the Crew **REAR** doors.

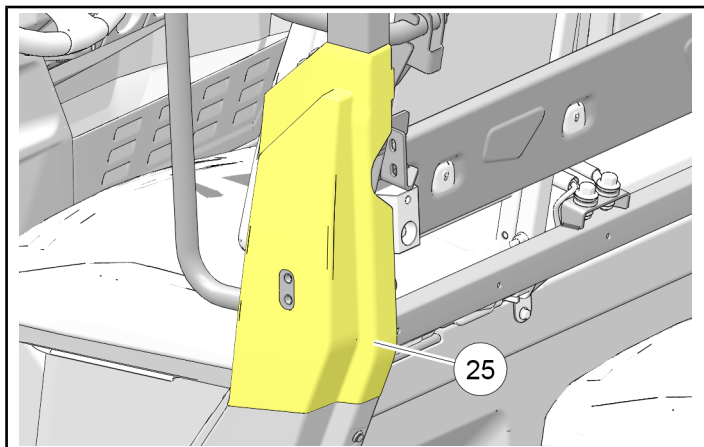
Swapping hinges is required to accommodate different hinge mounting structure between crew and non-crew vehicles.

As a result, do **NOT** follow front door hinge installation instructions included in the Front Door Kit. Follow these instructions instead.

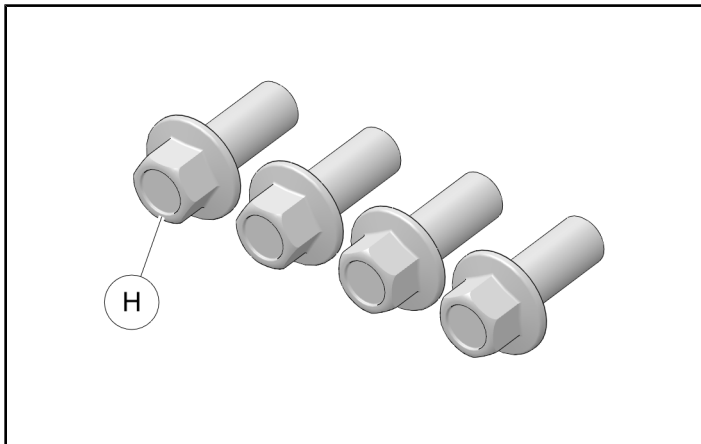
- a. Remove two screws ⑤ from top of existing B-pillar cover. Retain screws.



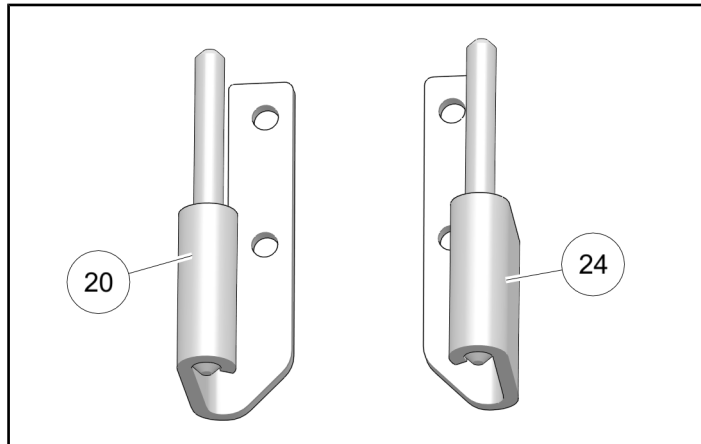
- b. Remove two push pin rivets from bottom interior of B-pillar cover (front rivet ⑥ and rear rivet ⑦), then remove cover. Retain rivets. Cover will not be reused.
- c. Install new left B-pillar cover ⑤ using retained screws ⑤ and push-pin rivets ⑥ and ⑦.



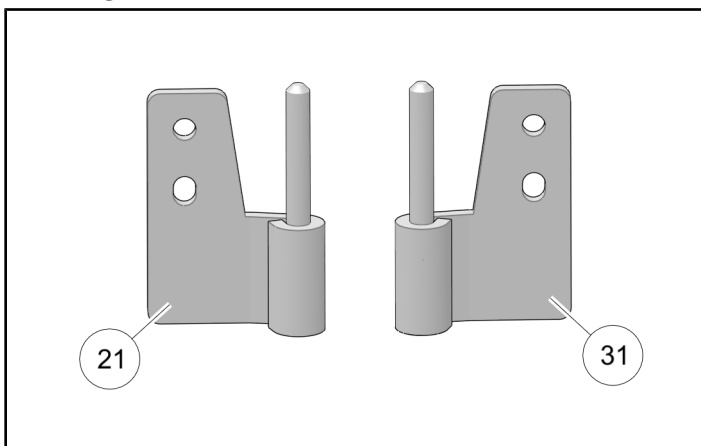
- d. Locate four M8 X 1.25 X 20 hex flange screws (H) included in the **FRONT Canvas Door Kit 2882902**.



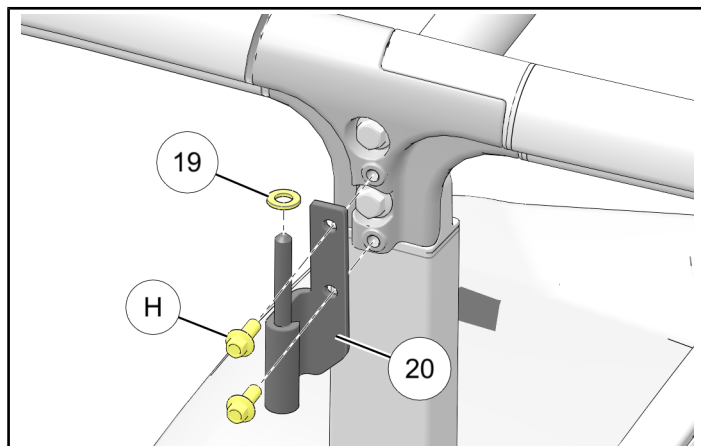
- h. Identify **left** upper chassis-side hinge (20). Notice differences from **right** upper chassis-side hinge (24).



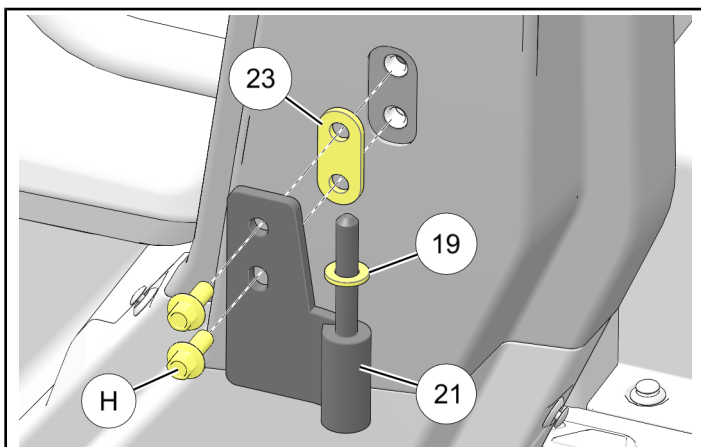
- e. Identify **left** lower chassis-side hinge (21). Notice differences from **right** lower chassis-side hinge (31).



- i. Install upper left chassis-side hinge (20) to B-pillar fitting using two screws (H). Tighten screws.



- f. Install spacer (23) and lower chassis-side hinge (21) to B-pillar fitting using two screws (H). Tighten screws.



- j. Install nylon washer (19) to hinge pin.

WARNING
Follow all chemical manufacturer instructions and safety precautions. Failure to follow all manufacturer instructions and precautions may result in severe injury or death.

- k. Grease pins on upper chassis-side hinge (20) and lower chassis-side hinge (21) with Polaris All Season Grease (or equivalent).

- g. Install nylon washer (19) to hinge pin.

NOTICE
Washer acts as bearing surface to assist in smooth door operation.

- I. Continue with front door installation per instructions provided with Front Door Kit.

When door adjustment is complete, ensure four chassis-side hinge screws (H) and three door-side hinge nuts (D) are torqued to specification.

TORQUE

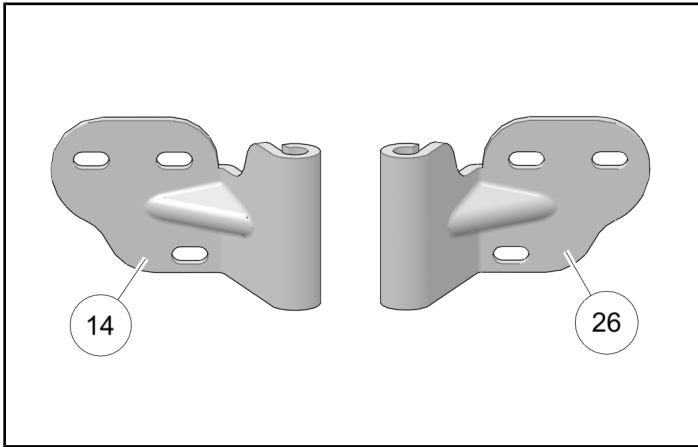
Chassis-Side Hinge Screws (H):
17 ft-lbs (23 N·m)

TORQUE

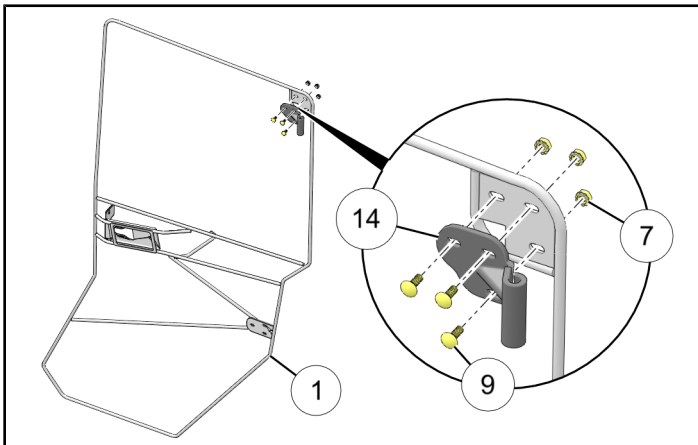
Door-Side Hinge nuts (D):
5 ft-lbs (7 N·m)

5. Install door-side hinges for **REAR** door.

- a. Identify **left** upper door-side hinge (14). Notice differences from **right** upper door-side hinge (26).



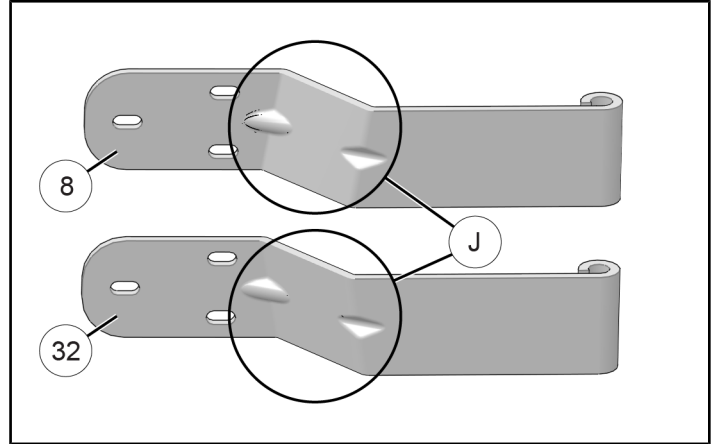
- b. Loosely install left upper door-side hinge (14) to left rear door (1) using three each carriage bolts (9) and nuts (7).



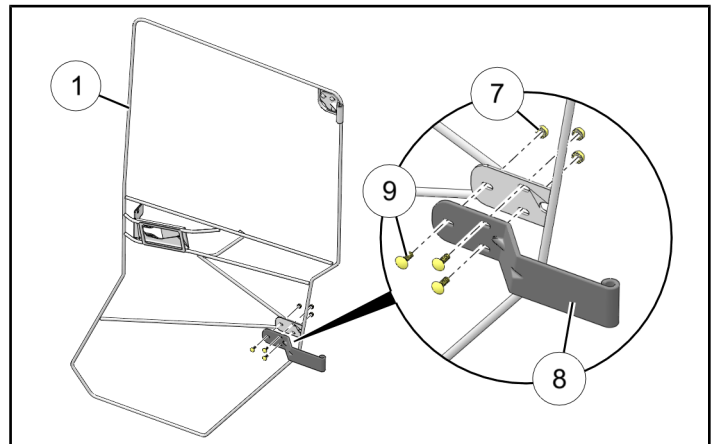
- c. Identify **left** lower door-side hinge (8). Notice differences from **right** lower door-side hinge (32) (especially angle of joggle (J)).

IMPORTANT

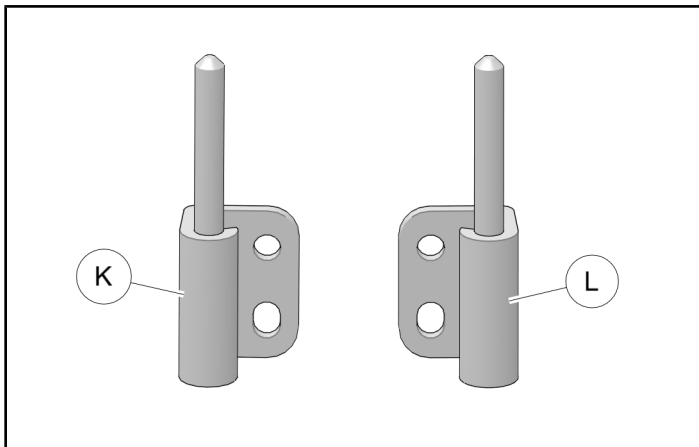
Do NOT use lower door-side hinges included in **FRONT Canvas Door Kit 2882902**. See Step 3a.



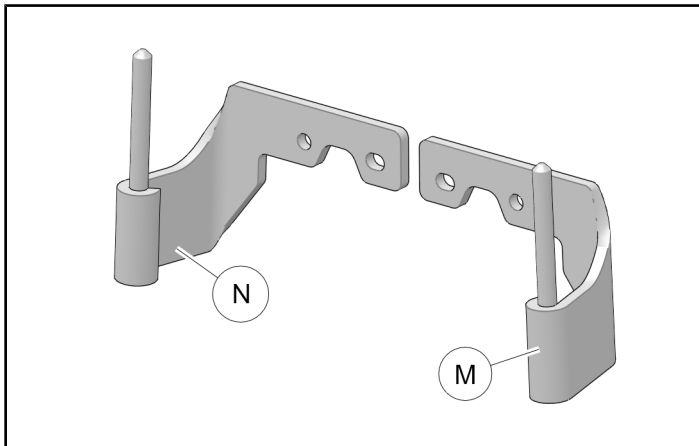
- d. Loosely install left lower door-side hinge (8) to left rear door (1) using three each carriage bolts (9) and nuts (7).



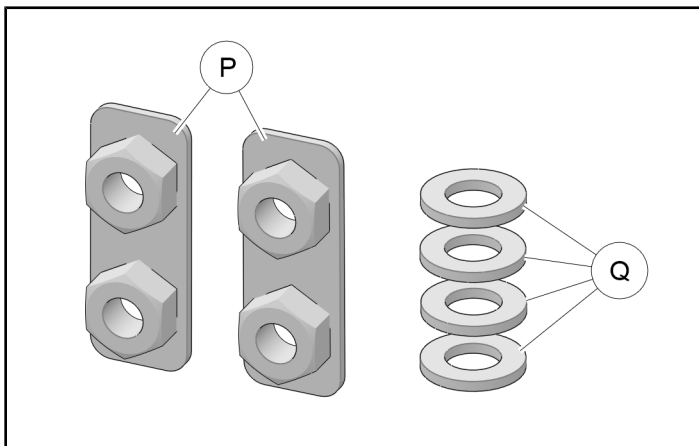
6. Install chassis-side hinges for **REAR** door.
- a. Locate the following parts included in the **FRONT Canvas Door Kit 2882902**:
- Upper **left** chassis-side hinge (K)
 - Upper **right** chassis-side hinge (L)



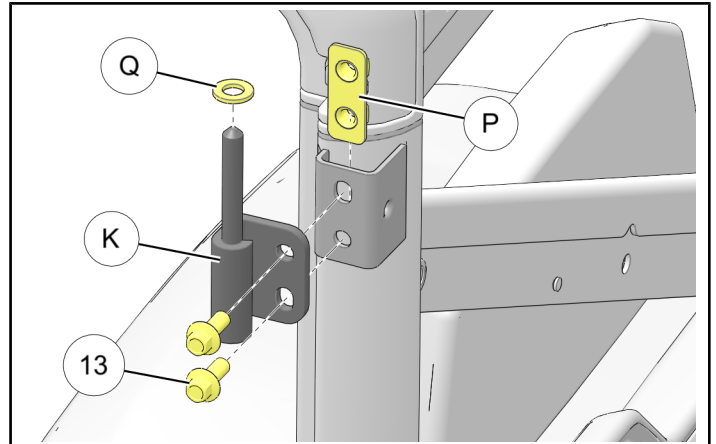
- Lower **left** chassis-side hinge (M)
- Lower **right** chassis-side hinge (N)



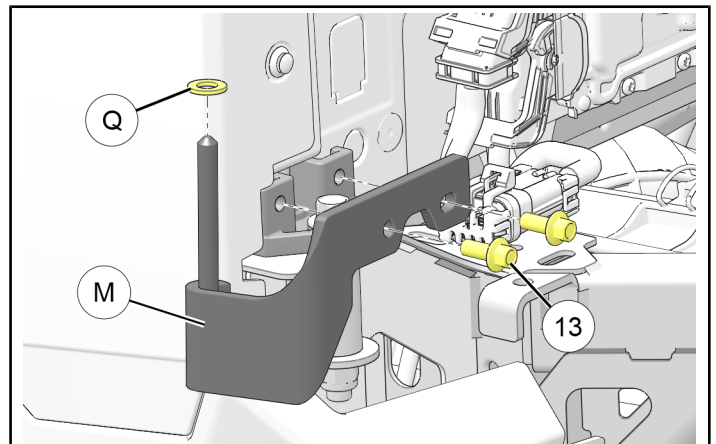
- Nut plate (P) (quantity 2)
- Nylon washer (Q) (quantity 4)



- b. Install upper left chassis-side hinge (K) to C-pillar fitting using two screws (B) and nut plate (P). Tighten screws.



- c. Install lower left chassis-side hinge (M) to chassis fitting using two screws (B). Tighten screws.



⚠ WARNING

Follow all chemical manufacturer instructions and safety precautions. Failure to follow all manufacturer instructions and precautions may result in severe injury or death.

- d. Install nylon washer (Q) to hinge pins on upper left chassis-side hinge (K) and lower left chassis-side hinge (M).

Grease pins with Polaris All Season Grease (or equivalent).

7. Install left door assembly on lower chassis-side hinge (M) first, then upper chassis-side hinge (K).

NOTICE

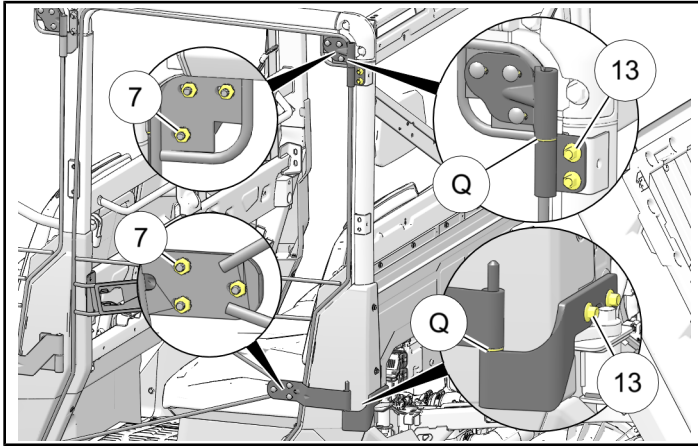
Lower hinge pin is longer than upper hinge pin to assist in door installation.

8. Ensure six upper and lower DOOR-SIDE hinge nuts ⑦ are slightly loose (see Step 5), then close door. Push door inwards while centering door in ROPS/chassis opening, then tighten nuts.

If door cannot be centered, loosen upper and/or lower CHASSIS-SIDE hinge screws ⑬, center door, then retighten all screws. If necessary, upper and/or lower nylon washers ① may be removed.

TIP

Have one person push and center the door, and a second person tighten the screws.



9. Torque all four chassis-side hinge screws ⑬ and all six door-side hinge nuts ⑦ to specification.

TORQUE

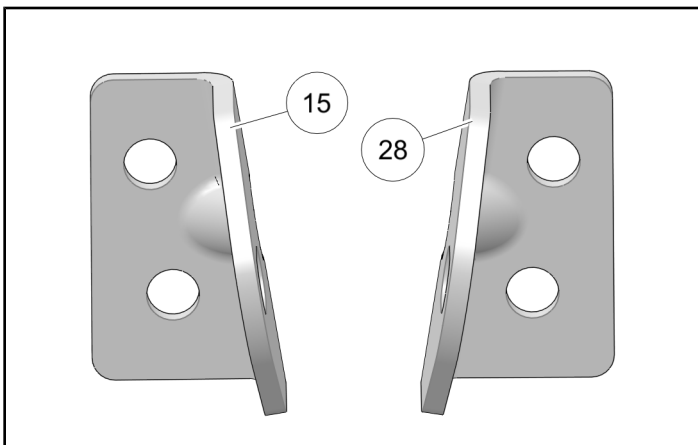
Hinge Screws ⑬:
17 ft-lbs (23 N·m)

TORQUE

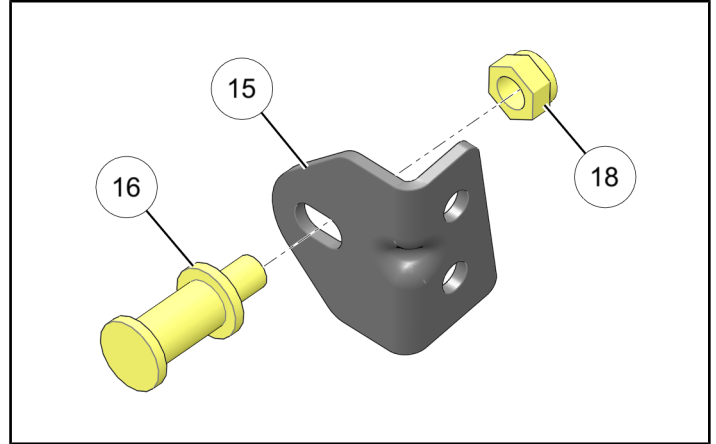
Hinge Nuts ⑦:
5 ft-lbs (7 N·m)

10. Assemble and install striker.

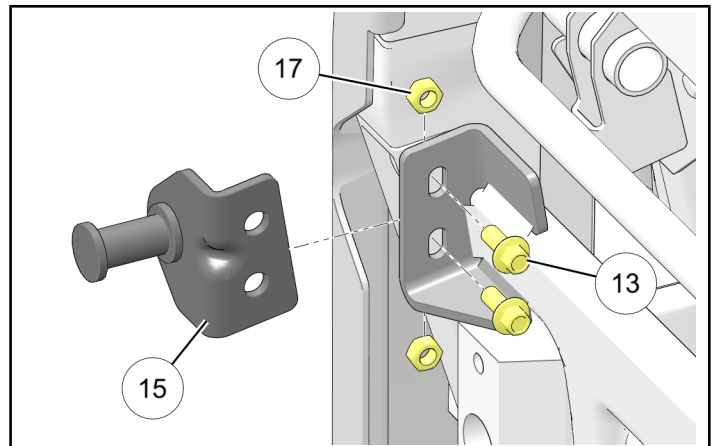
- a. Identify **left** striker bracket ⑮. Notice differences from **right** striker bracket ⑲.



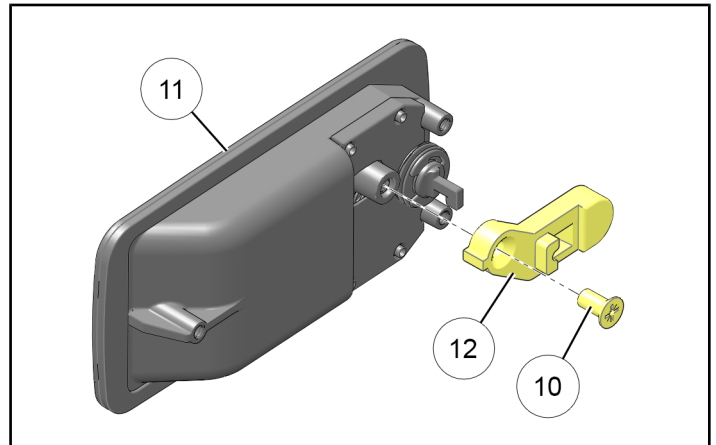
- b. Install striker pin ⑯ to left striker bracket ⑮ using nut ⑱. Center pin in slot, then tighten nut.



- c. Install left striker bracket ⑮ assembly to chassis using two each screws ⑬ and nuts ⑰. Center bracket in slots, then tighten screws.



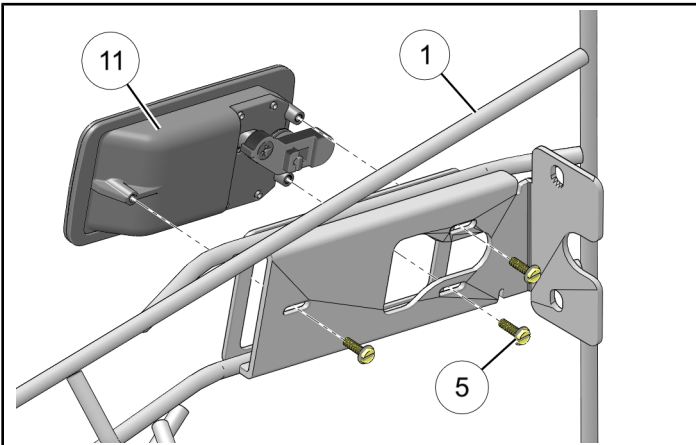
11. Assemble lever ⑰ to exterior latch ⑪ using screw ⑩.



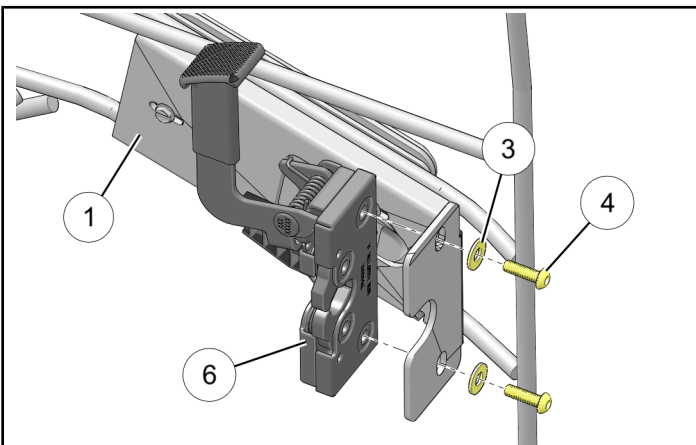
12. Install exterior latch ⑪ to left door frame ① using three screws ⑤. Center latch in slotted holes, then tighten screws.

NOTICE

If canvas has not been cut for exterior latch installation, use screw holes and latch opening in frame to mark where to cut canvas. Make a small slit in canvas for each screw and a large X in canvas for exterior latch.



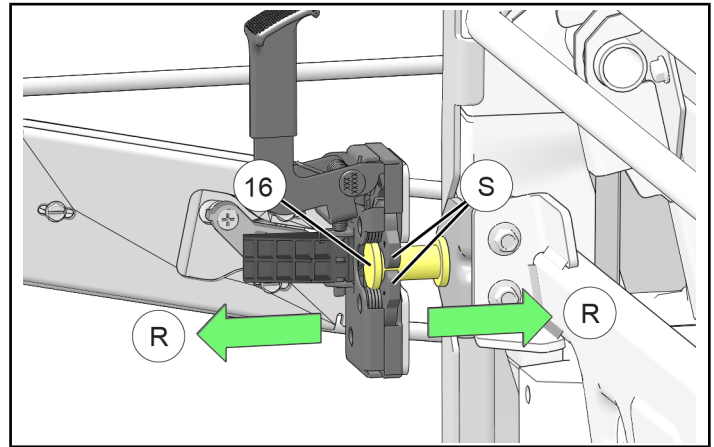
13. Install left interior latch ⑥ to left door frame ① using two each screws ④ and washers ③. Center latch in slotted holes, then tighten screws.



14. Open door latch (to properly position pawls), then slowly close door and observe engagement of striker pin ⑯ into door latch.

Adjust striker pin and/or left striker bracket ⑮ to achieve the following:

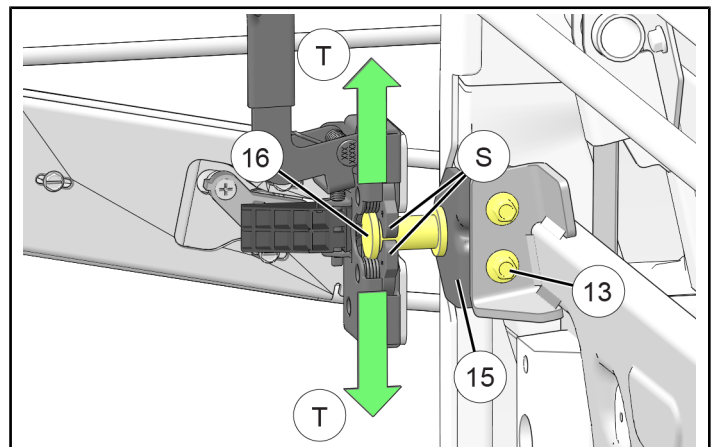
- a. **EXTENSION** ⑲: Head of striker pin ⑯ should fully clear rear side of latch pawls ⑤ as shown. To adjust, loosen door-side hinge nuts ⑦, slide entire door front or rear as required, then re-torque nuts. See Steps 8–9.



- b. **HEIGHT** ⑲: Striker pin ⑯ should be centered vertically between upper and lower latch pawls ⑤. To adjust, loosen two screws ⑬, slide left striker bracket ⑮ up or down as required, then retighten screws.

NOTICE

If further adjustment range is needed, loosen two screws ④, slide interior door latch ⑥ up or down as required, then retighten screws. See Step 13.

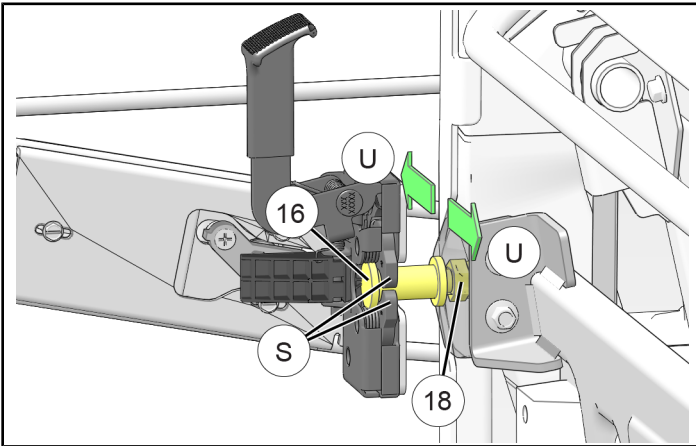


- c. **DEPTH** (U): As required to achieve desired seal compression and door fairing. To adjust, loosen nut (18), slide striker pin (16) inboard or outboard as required, then retighten nut.

Ensure depth adjustment is made with latch pawls (5) at FULL closure as shown below (second “click”), not at partial closure (first “click”).

NOTICE

Nut can be accessed by reaching up from below striker bracket.
Left striker bracket (15) shown partially transparent for clarity.



FEEDBACK FORM

A feedback form has been created for the installer to provide any comments, questions or concerns about the installation instructions. The form is viewable on mobile devices by scanning the QR code or by clicking [HERE](#) if viewing on a PC.



15. Torque striker bracket screws (13) to specification.

TORQUE

Striker Bracket Screws (13):
17 ft-lbs (23 N·m)

16. Torque striker nut (18) to specification.

TORQUE

Striker Nut (18):
54 ft-lbs (73 N·m)

17. Repeat Steps 3–16 for right door assembly (2) using right parts as identified in section **KIT CONTENTS**.

18. Lower vehicle bed.