

FRONT BUMPER RACK KIT



P/N 2883971

BEFORE YOU BEGIN

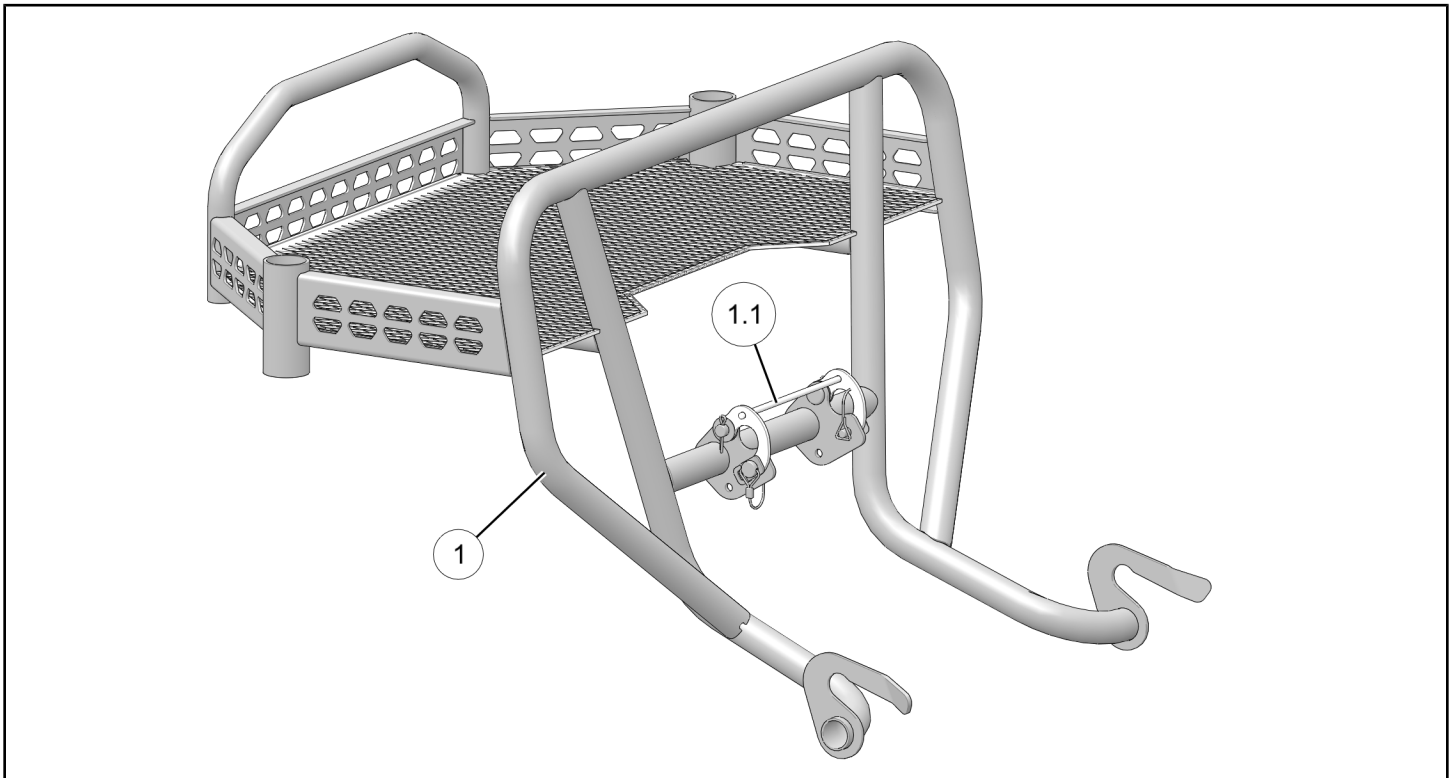
Read these instructions and check to be sure all parts and tools are accounted for. Please retain these installation instructions for future reference and parts ordering information.

REQUIRED, SOLD SEPARATELY

This kit only contains parts for installation of the Front Bumper Rack Kit. Ratcheting tie-down straps or other cargo restraint equipment is also required (commercially available; sold separately).

KIT CONTENTS

This Kit includes:



REF	QTY	PART DESCRIPTION	PART NUMBER
1	1	Rack, Front Storage (includes item 1.1 below)	-
1.1	1	- Hook Assembly, Upper	1025228
	1	Instructions	9929267

TOOLS REQUIRED

None

IMPORTANT

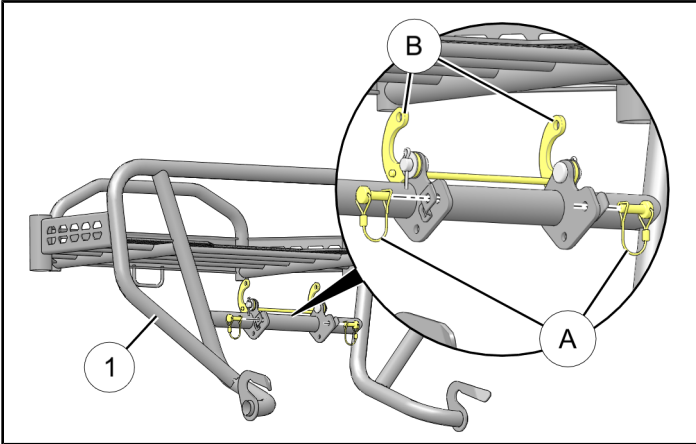
Your Front Bumper Rack Kit is exclusively designed for your vehicle. Please read the installation instructions thoroughly before beginning. Installation is easier if the vehicle is clean and free of debris. For your safety, and to ensure a satisfactory installation, perform all installation steps correctly in the sequence shown.

INSTALLATION INSTRUCTIONS

⚠ CAUTION

Rack weighs approximately 32 lbs. (14 Kg). Failure to adequately support rack during installation or removal may result in personal injury or damage to equipment. Use two people if in doubt.

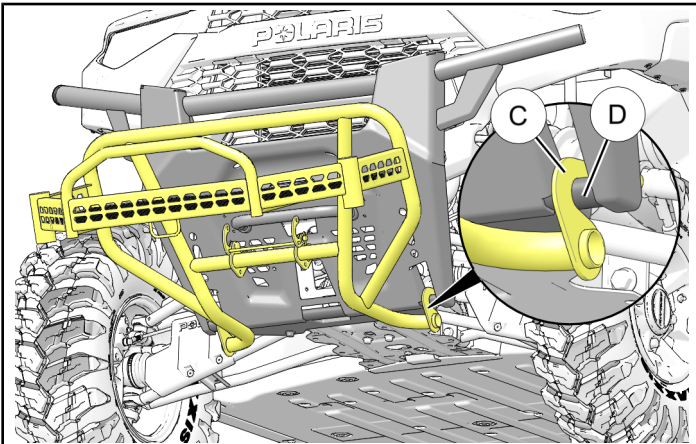
1. Shift vehicle transmission into "PARK". Turn ignition switch to "OFF" position and remove key.
2. Remove two wire lock pins **A** from upper hook brackets, then open upper hook assembly **B** as shown.



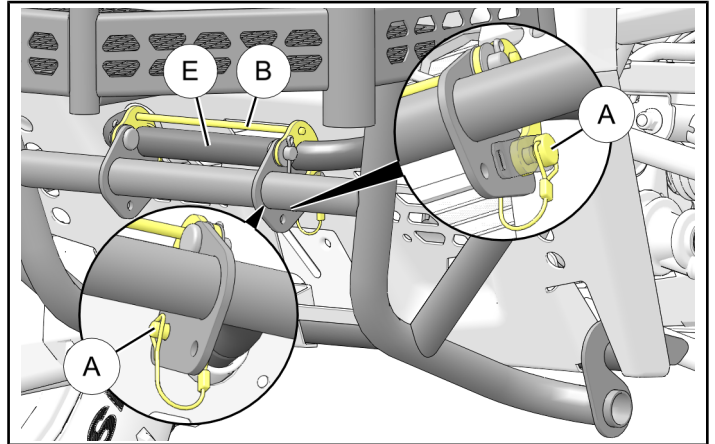
3. Insert two lower hooks **C** over lower bumper tube **D**.

NOTE

LH detail shown; RH opposite.



4. Lift bumper upwards until upper hook assembly **B** can rotate over upper bumper tube **E**.



5. Secure upper hook assembly **B** to upper hook brackets using two wire lock pins **A**.

NOTE

LH detail shown; RH opposite.

⚠ WARNING

Read and follow instructions on any and all labels attached to your accessory. Failure to follow instructions could result in death, serious injury, or damage to vehicle or property.

Do not exceed maximum capacity of 75 lbs (34 Kg). Exceeding maximum capacity may result in rack failure, resulting in death, serious injury, or damage to vehicle or property.

Ensure all cargo is adequately secured to rack. Failure to secure cargo may result in loss of vehicle control, resulting in death, serious injury, or damage to vehicle or property.

FEEDBACK FORM

A feedback form has been created for the installer to provide any comments, questions or concerns about the installation instructions. The form is viewable on mobile devices by scanning the QR code or by clicking [HERE](#) if viewing on a PC.

