

# REAR BUMPER KIT



**P/N 2883748-XXX, 2884189-XXX**

## APPLICATION

Verify accessory fitment at [Polaris.com](http://Polaris.com).

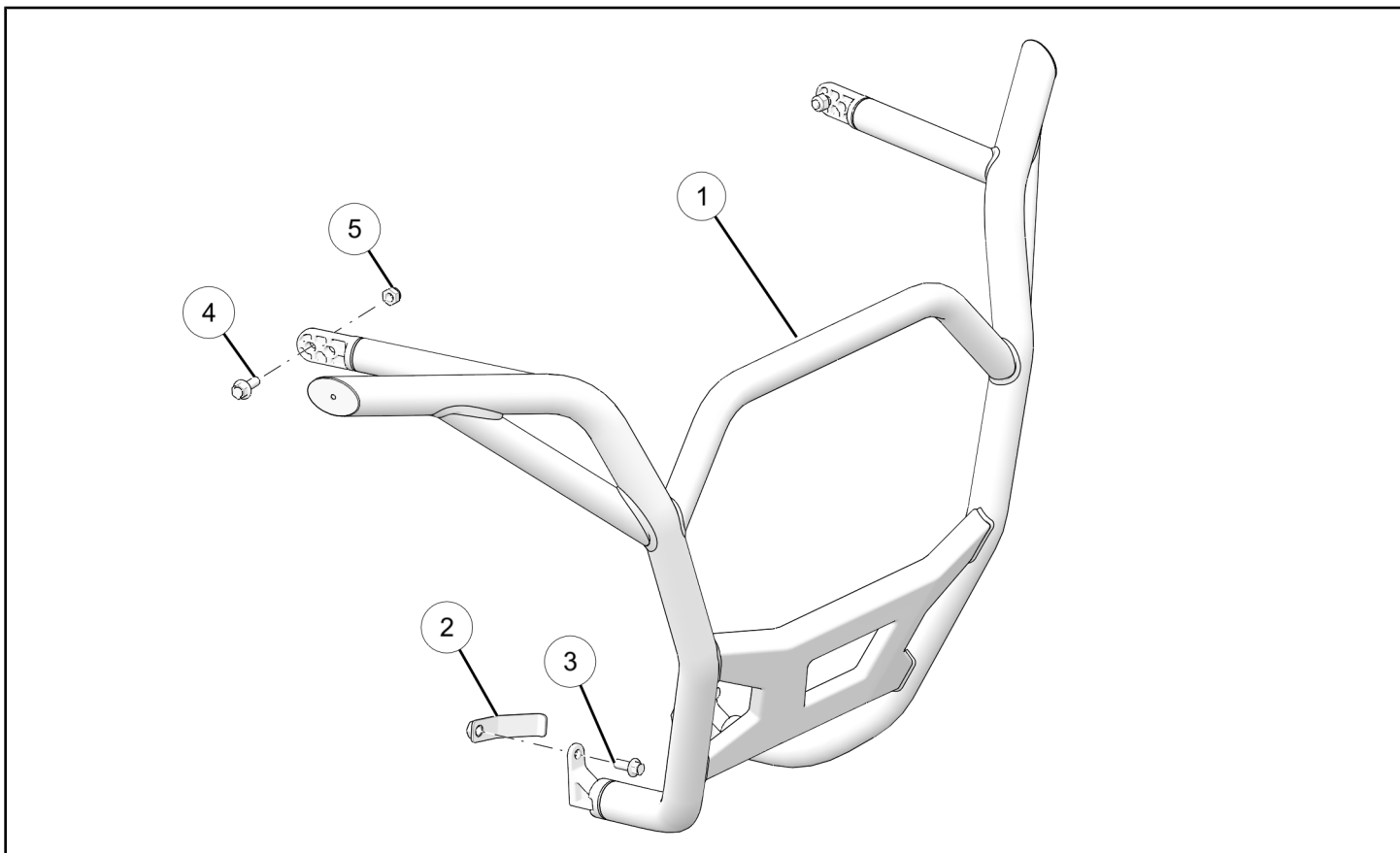
## BEFORE YOU BEGIN

Read these instructions and check to be sure all parts and tools are accounted for. Please retain these installation instructions for future reference and parts ordering information.

## KIT CONTENTS

### BASIC REAR BUMPER KIT

**P/N 2883748-XXX**



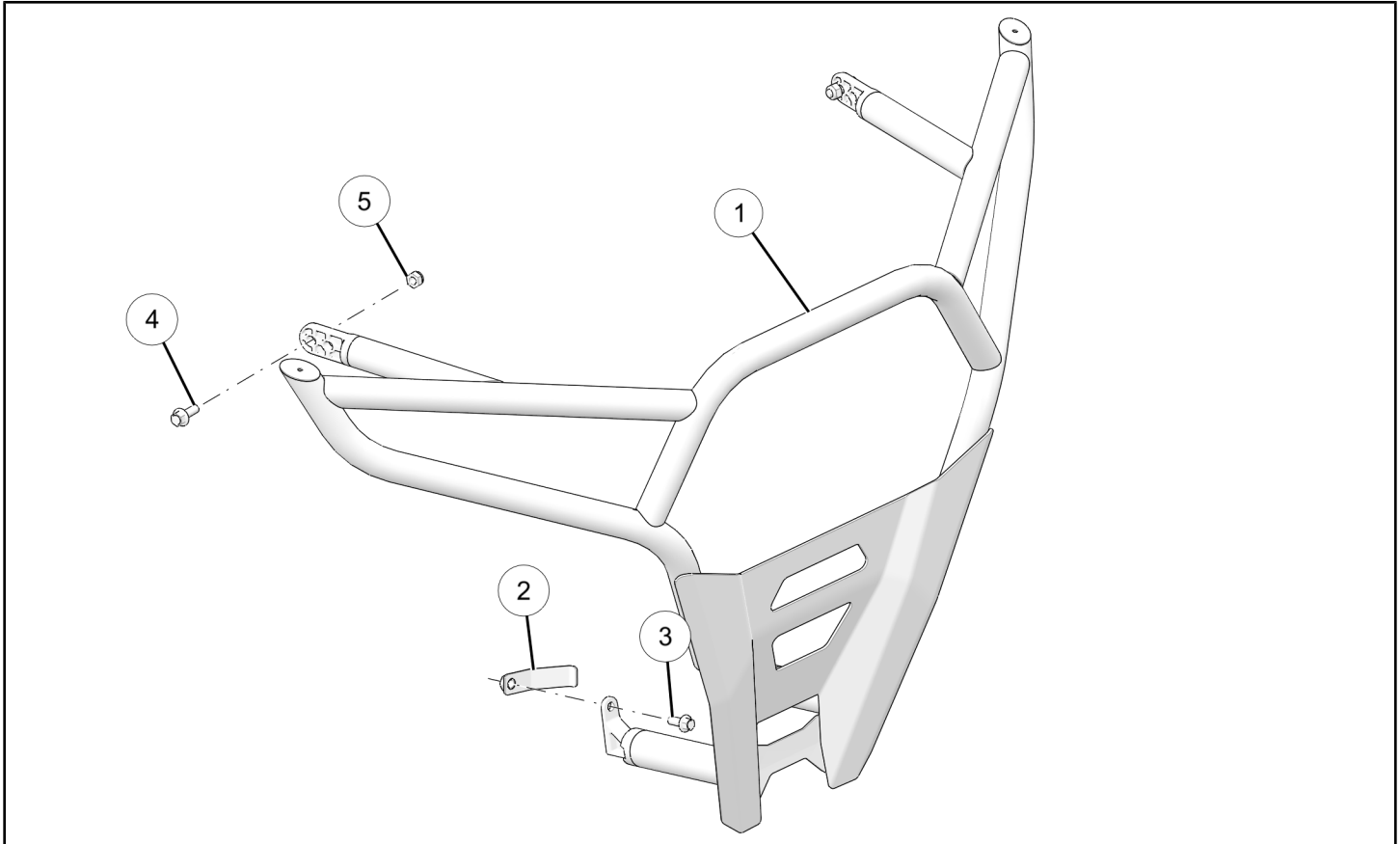
### NOTE

XXX = RZR® color code (For example: 458 = Black)

REF	QTY	PART DESCRIPTION	P/N AVAILABLE SEPARATELY	AVAILABLE HARDWARE KIT
1	1	Weld, Bumper, Rear, Basic	1024532-XXX	n/a
2	2	Plate, Lower, Nut	5267143-XXX	n/a
3	2	Screw, Hex Flange, M10 X 1.5 X 25	7521147	2207774
4	2	Screw, Hex Flange, M10 X 1.5 X 30	7519803	2207774

REF	QTY	PART DESCRIPTION	P/N AVAILABLE SEPARATELY	AVAILABLE HARDWARE KIT
5	2	Nut, Hex, M10 X 1.5, Nylon Locking	7547746	2207774
	1	Instructions	9929126	-

**PREMIUM REAR BUMPER**  
**P/N 2884189-XXX**



**NOTE**

XXX = RZR® color code (For example: 458 = Black)

REF	QTY	PART DESCRIPTION	P/N AVAILABLE SEPARATELY	AVAILABLE HARDWARE KIT
1	1	Weld, Bumper, Rear, Premium	1024530-XXX	n/a
2	2	Plate, Lower, Nut	5267143-XXX	n/a
3	2	Screw, Hex Flange, M10 X 1.5 X 25	7521147	2207774
4	2	Screw, Hex Flange, M10 X 1.5 X 30	7519803	2207774
5	2	Nut, Hex, M10 X 1.5, Nylon Locking	7547746	2207774
	1	Instructions	9929126	-

## TOOLS REQUIRED

- Safety Glasses
- Socket Set, Metric
- Torque Wrench

## IMPORTANT

Your Rear Bumper Kit is exclusively designed for your vehicle. Please read the installation instructions thoroughly before beginning. Installation is easier if the vehicle is clean and free of debris. For your safety, and to ensure a satisfactory installation, perform all installation steps correctly in the sequence shown.

## INSTALLATION INSTRUCTIONS

### NOTICE

Basic Bumper Kit P/N 2883748-XXX shown;  
Premium Bumper Kit PN 2884189-XXX similar.

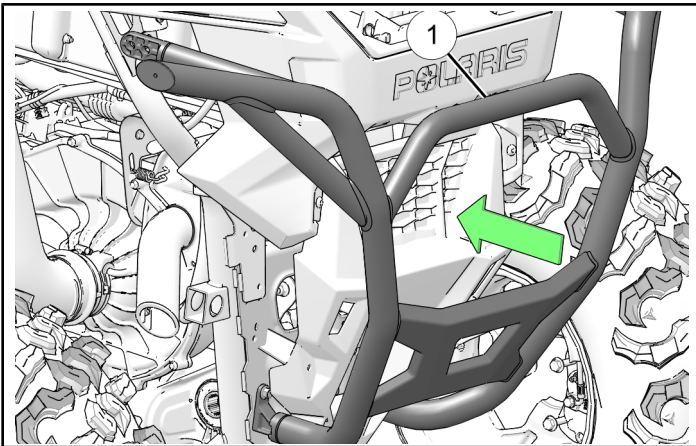
## VEHICLE PREPARATION

### GENERAL

1. Shift vehicle transmission into PARK. Turn ignition switch to OFF position and remove key.

## ACCESSORY INSTALLATION

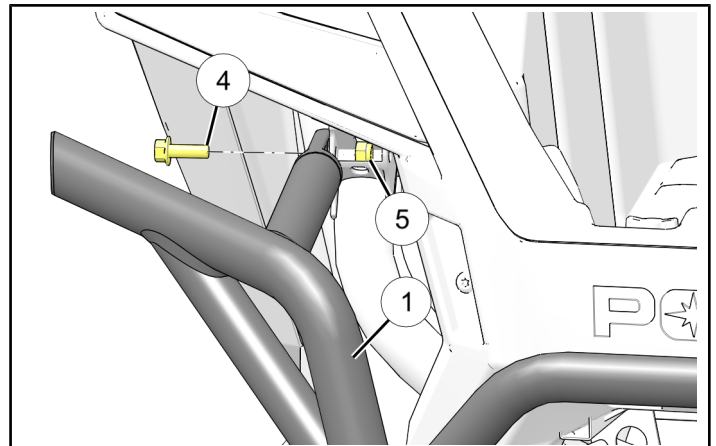
1. With an assistant, align bumper ① with vehicle rear. Align bumper-arms on outside of two C-pillar brackets and lower-bumper with rear transmission bracket, as shown.



2. Place one nut ⑤ within each C-pillar bracket and install bumper ① with one bolt ④ per side.

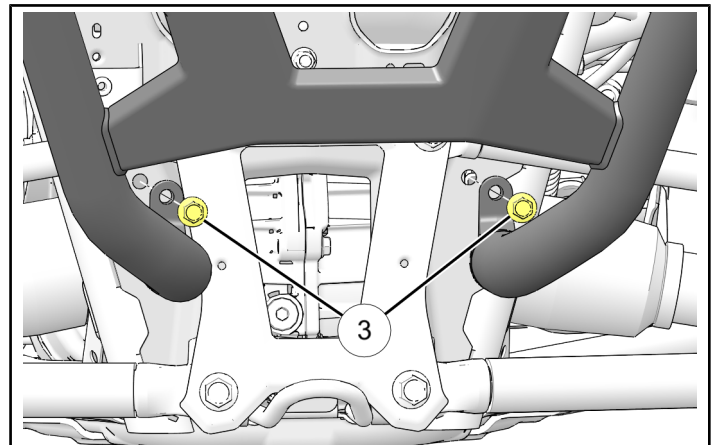
### TORQUE

Two bolts ④:  
40 ft-lbs (54 N·m)



3. Place two bolts ③ through lower bumper mounts and into rear transmission bracket.

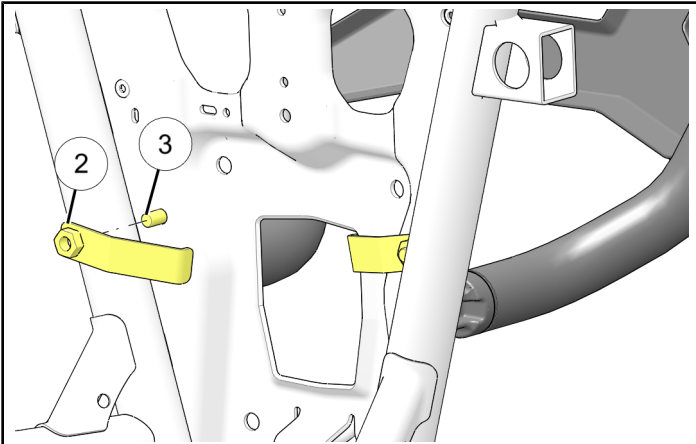
**Do not torque bolts at this time.**



4. Complete lower bumper installation with two plate-nuts ②, placed on backside of rear transmission bracket. Ensure bend in plate-nuts ② face inward and wrap around opening in rear transmission bracket.

### TORQUE

Two bolts ③:  
**40 ft-lbs (54 N·m)**



### FEEDBACK FORM

A feedback form has been created for the installer to provide any comments, questions or concerns about the installation instructions. The form is viewable on mobile devices by scanning the QR code or by clicking [HERE](#) if viewing on a PC.

