

# REAR STORAGE BOX KIT



P/N 2883752

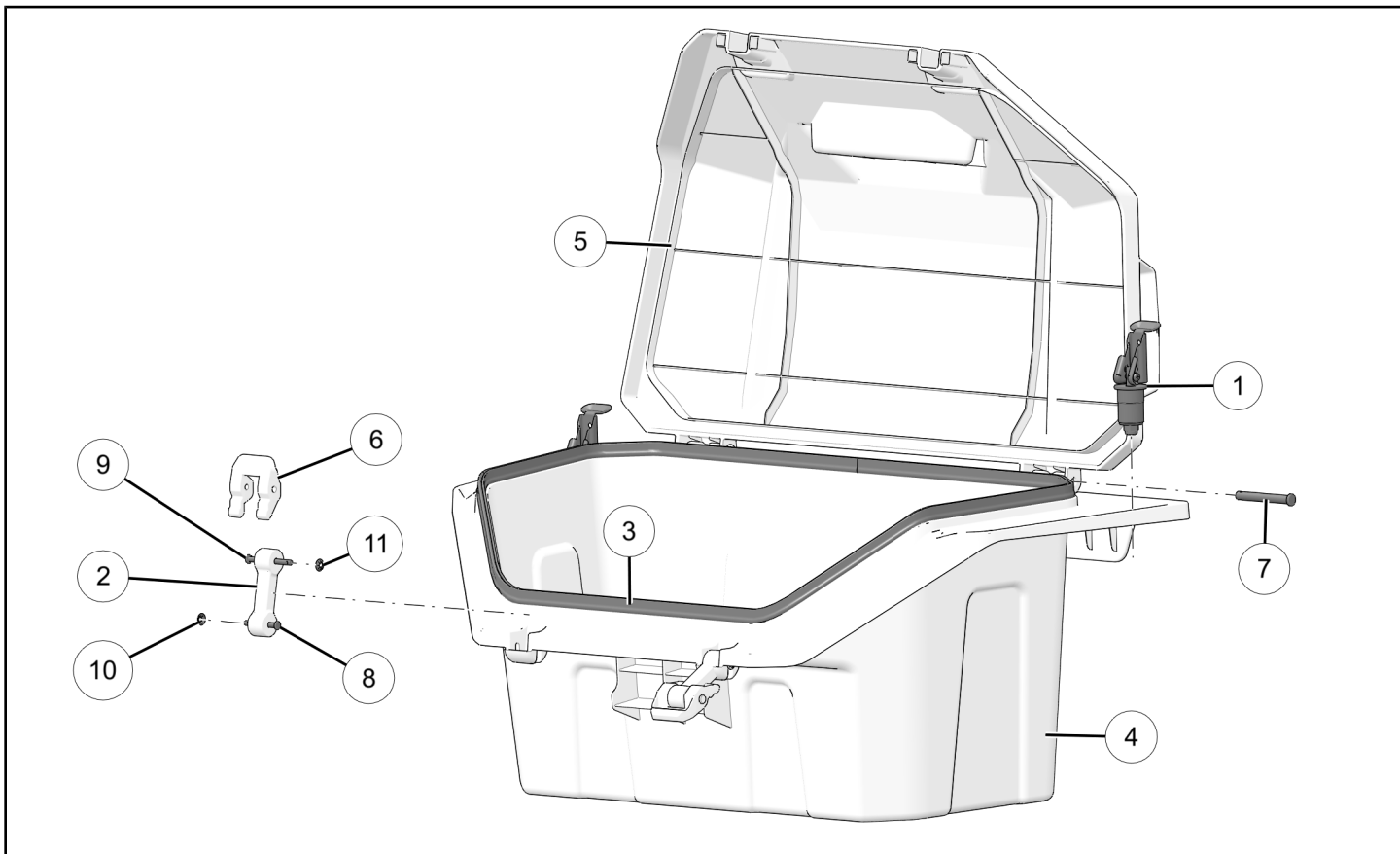
## APPLICATION

Verify accessory fitment at [Polaris.com](https://www.polaris.com).

## BEFORE YOU BEGIN

Read these instructions and check to be sure all parts and tools are accounted for. Please retain these installation instructions for future reference and parts ordering information.

## KIT CONTENTS



REF	QTY	PART DESCRIPTION	P/N AVAILABLE SEPARATELY	AVAILABLE SERVICE KIT
1	2	Kit, Lock & Ride® Anchor	2876420	n/a
1.1	2	- Handle, Lock & Ride® Anchor	n/a	n/a
1.2	2	- Bushing, Rubber, Lock & Ride® Anchor	5413598	n/a
1.3	2	- Washer, Plastic, Lock & Ride® Anchor	5437777	n/a
1.4	2	- Bushing, Plastic, Lock & Ride® Anchor	n/a	n/a
1.5	2	- Screw, Pan Head, 32 mm X 0.75 mm	7511875	n/a
1.6	2	- Nut, Nylon Locking	7547004	n/a
1.7	2	- Nut, 5/16th in., Nylon Locking	7547217	n/a

REF	QTY	PART DESCRIPTION	P/N AVAILABLE SEPARATELY	AVAILABLE SERVICE KIT
1.8	2	- Washer, 0.375 mm x 0.875 mm x 0.078 mm	7558403	n/a
1.9	2	- Shaft, Lock and Ride	n/a	n/a
2	2	Body, Flex, Latch, Storage	n/a	2207771
3	1	Seal, Cargo Box	n/a	2207771
4	1	Box, Storage, Base, Rear	n/a	n/a
5	1	Box, Storage, Lid, Rear	n/a	n/a
6	2	Latch, Lever, Storage	n/a	n/a
7	2	Pin–Clevis, 0.31 mm x 2.25 mm	n/a	2207771
8	2	Pin–Clevis, 0.19 mm x 1.31 mm	n/a	2207771
9	2	Pin–Clevis, 0.19 mm x 1.81 mm	n/a	2207771
10	2	Nut–Push, 5/16 in.	n/a	2207771
11	4	Nut–Push, 3/16 in.	n/a	2207771

## TOOLS REQUIRED

- Wrench Set, SAE

## IMPORTANT

Your Rear Storage Box Kit is exclusively designed for your vehicle. Please read the installation instructions thoroughly before beginning. Installation is easier if the vehicle is clean and free of debris. For your safety, and to ensure a satisfactory installation, perform all installation steps correctly in the sequence shown.

## INSTALLATION INSTRUCTIONS

### VEHICLE PREPARATION

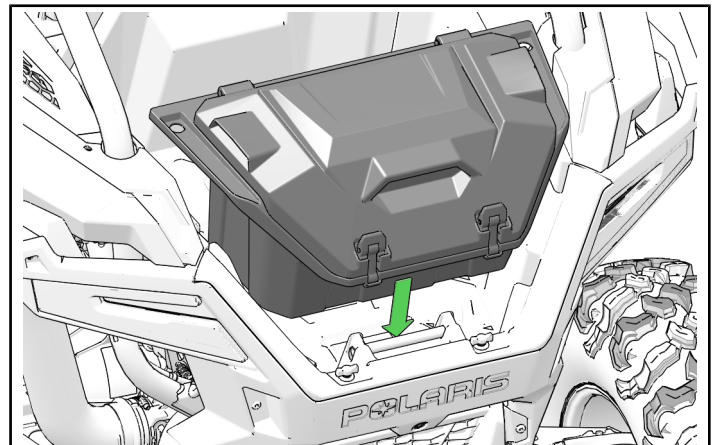
#### GENERAL

1. Shift vehicle transmission into PARK. Turn key to OFF position and remove from vehicle.

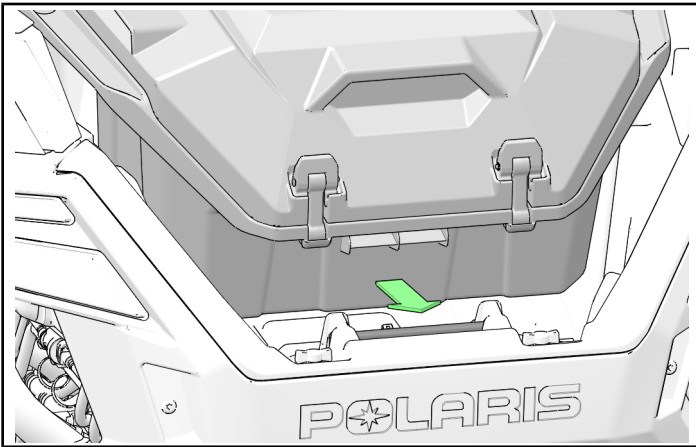
### ACCESSORY INSTALLATION

#### REAR STORAGE BOX INSTALLATION

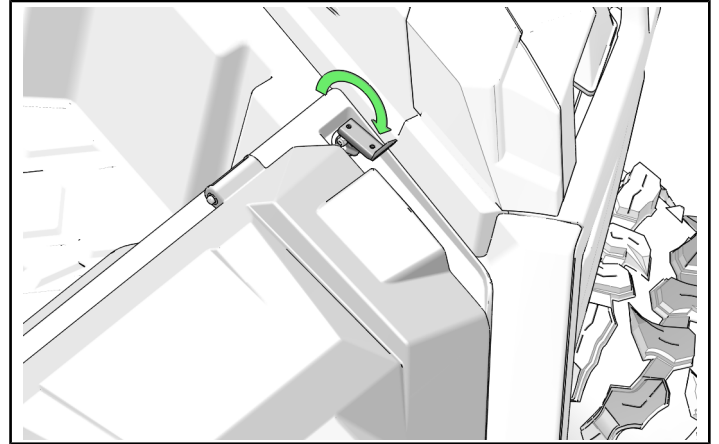
1. Place pre-assembled storage box in rear-most part of rear box. Ensure Lock & Ride® storage box holes are aligned with mounting holes in rear box.



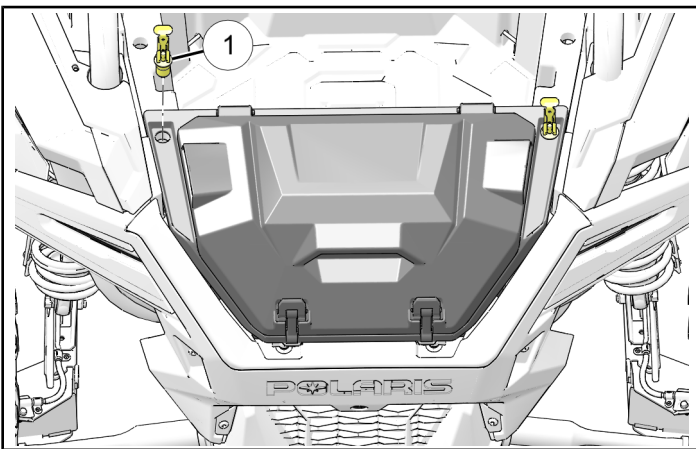
2. Ensure front protrusion of storage box hooks under rear box tube.



5. Ensure Lock & Ride® assemblies ① are fully seated before closing top lever and securing storage box.

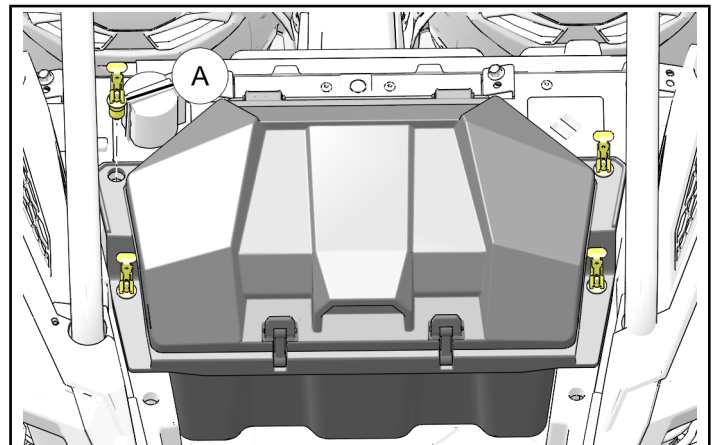


3. Place two Lock & Ride® assemblies in two aligned mounting holes.

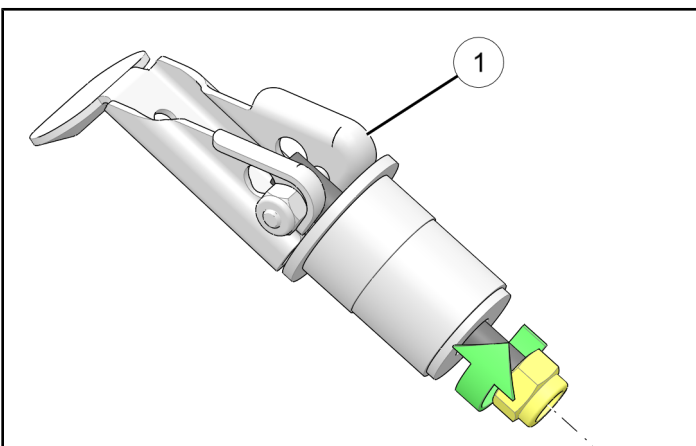


### **INSTALLING WITH FRONT STORAGE BOX KIT P/N 2883751**

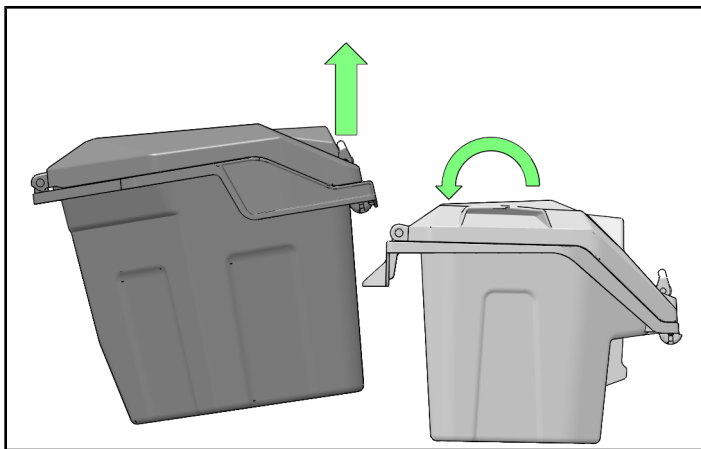
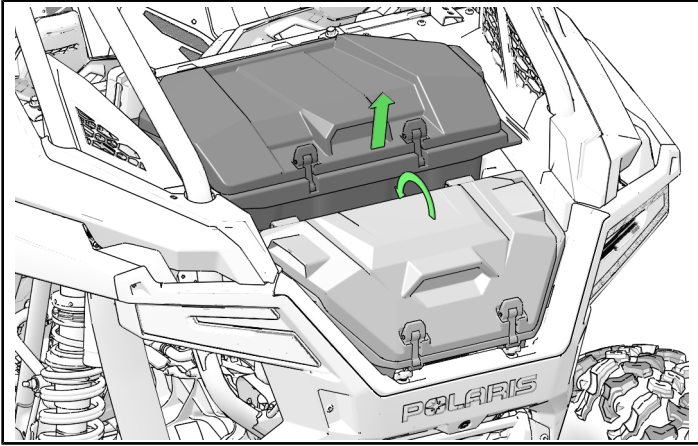
1. Remove and retain Lock & Ride® assemblies from front storage box.



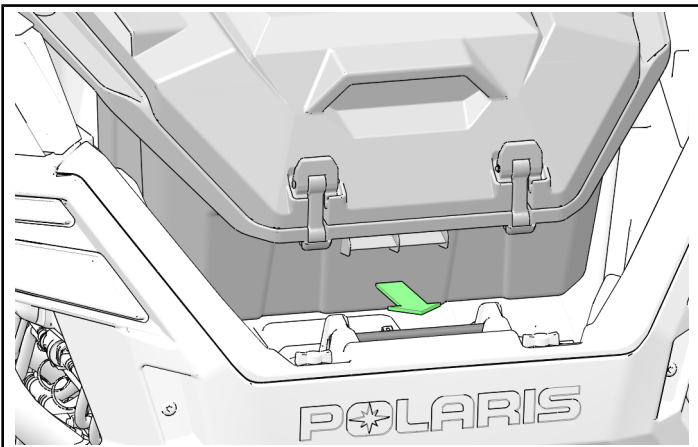
4. Lock & Ride® assemblies ① may need adjustment. Tighten or loosen bottom nut depending on fitment.



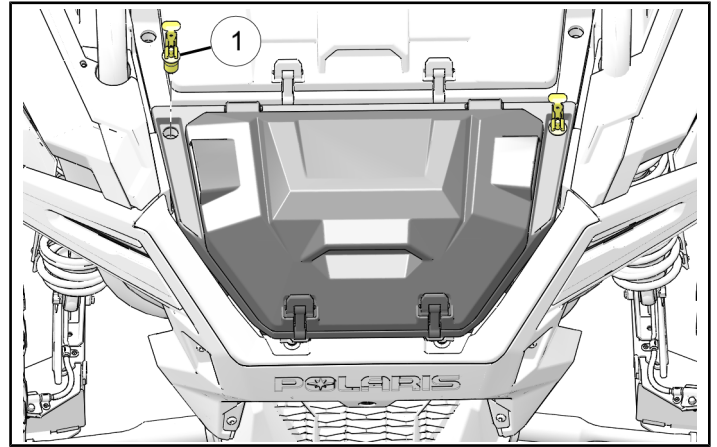
2. Lift front storage box up slightly to allow rear storage box protrusion to fit below front storage box lip as shown.



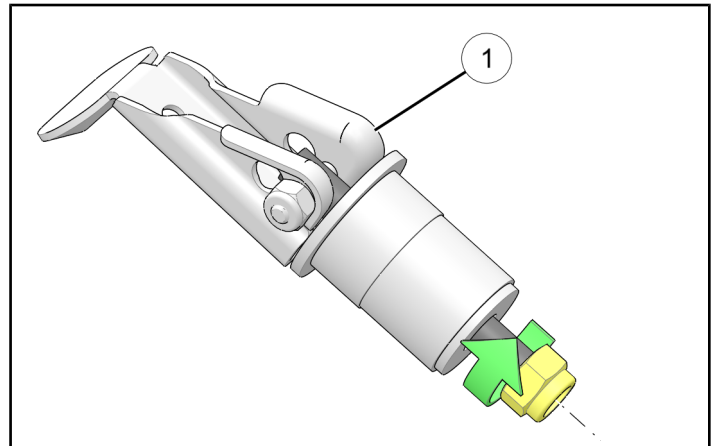
3. Ensure front protrusion of storage box hooks under rear box tube.



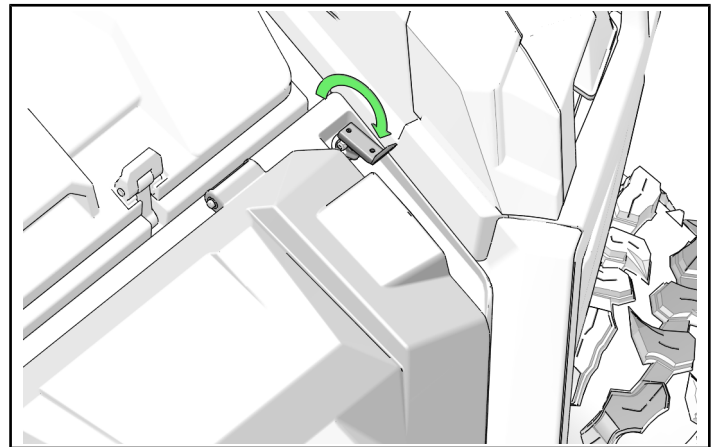
4. Place two Lock & Ride® assemblies in two aligned mounting holes.



5. Lock & Ride® assemblies ① may need adjustment. Tighten or loosen bottom nut depending on fitment.



6. Ensure Lock & Ride® assemblies ① are fully seated before closing top lever and securing storage box.



7. Reinstall Lock & Ride® assemblies into rear storage box.

## FEEDBACK FORM

A feedback form has been created for the installer to provide any comments, questions or concerns about the installation instructions. The form is viewable on mobile devices by scanning the QR code or by clicking [HERE](#) if viewing on a PC.

