

ALUMINUM ROOF KIT



P/N 2883743-XXX, 2883961-XXX

APPLICATION

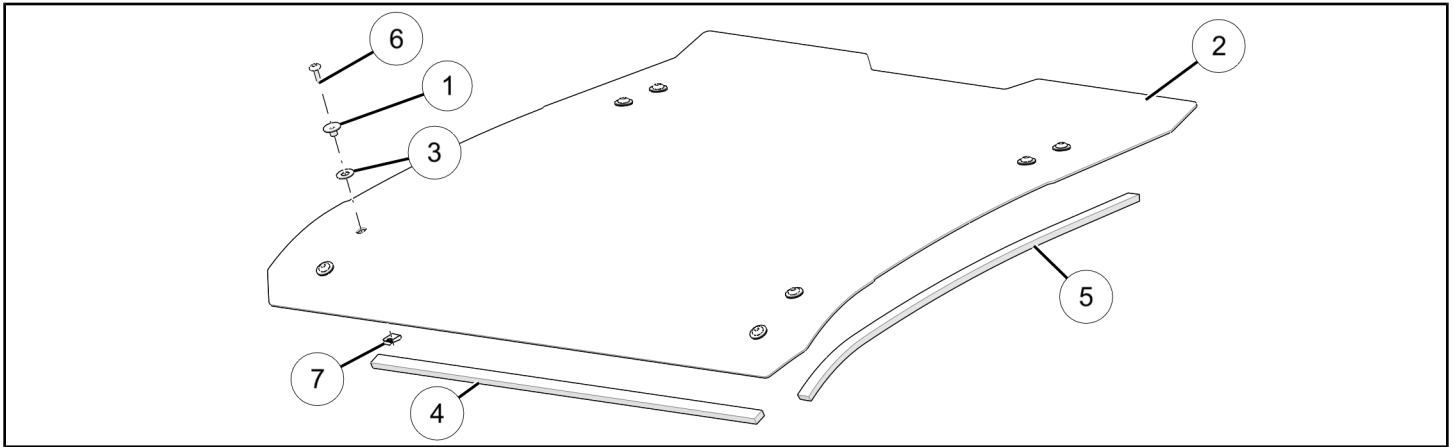
Verify accessory fitment at [Polaris.com](https://www.polaris.com).

BEFORE YOU BEGIN

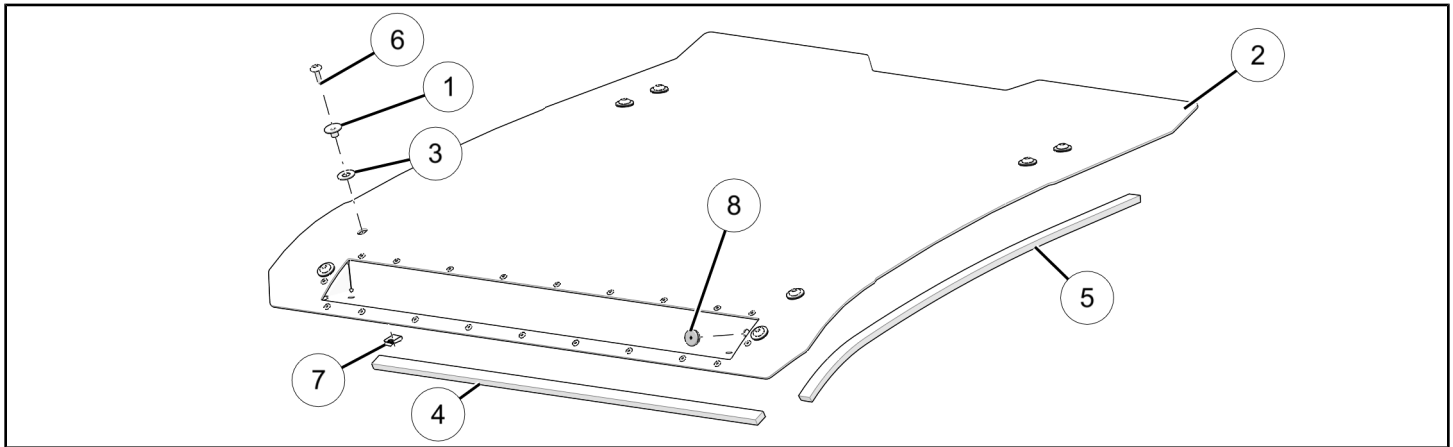
Read these instructions and check to be sure all parts and tools are accounted for. Please retain these installation instructions for future reference and parts ordering information.

KIT CONTENTS

P/N 2883743-XXX



REF	QTY	PART DESCRIPTION	P/N AVAILABLE SEPARATELY	AVAILABLE HARDWARE KIT
1	8	Spacer-Roof	n/a	2207765
2	1	Panel-Roof, Aluminum	n/a	n/a
3	8	Washer-Rubber	5417028	2207765
4	2	Foam	5814826-718	n/a
5	2	Foam	5814826-814	n/a
6	8	Screw, Torx®, Truss Head, M6 x 1.0 mm x 30 mm	n/a	2207765
7	8	Clip-U Speed Nut	n/a	2207765



REF	QTY	PART DESCRIPTION	P/N AVAILABLE SEPARATELY	AVAILABLE HARDWARE KIT
1	8	Spacer-Roof	n/a	2207765
2	1	Panel-Roof, Aluminum, Pocket	n/a	n/a
3	8	Washer-Rubber	5417028	2207765
4	2	Foam	5814826-718	n/a
5	2	Foam	5814826-814	n/a
6	8	Screw, Torx®, Truss Head, M6 x 1.0 mm x 30 mm	n/a	2207765
7	8	Clip-U Speed Nut	n/a	2207765
8	1	Grommet-Rubber	5413027	2207765

TOOLS REQUIRED

- Safety Glasses
- Socket Set, Torx® Bit
- Torque Wrench

IMPORTANT

Your Aluminum Roof Kit is exclusively designed for your vehicle. Please read the installation instructions thoroughly before beginning. Installation is easier if the vehicle is clean and free of debris. For your safety, and to ensure a satisfactory installation, perform all installation steps correctly in the sequence shown.

INSTALLATION INSTRUCTIONS

VEHICLE PREPARATION

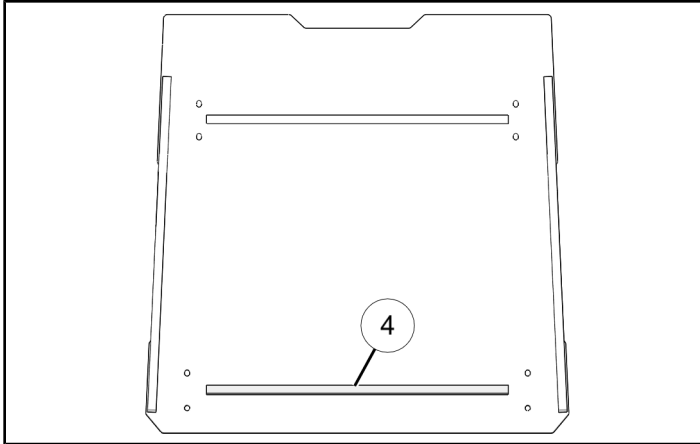
GENERAL

1. Shift vehicle transmission into PARK. Turn key to OFF position and remove from vehicle.

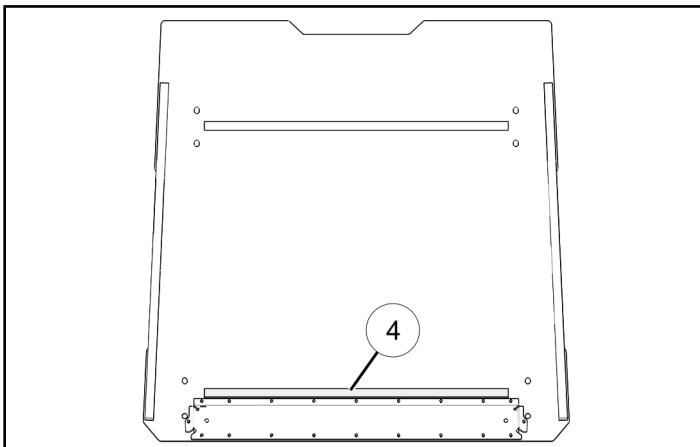
ACCESSORY INSTALLATION

1. Peel backing from adhesive side and apply foam piece ④ to underside of roof panel within etched dashed marks or against rivets of light bar pocket.

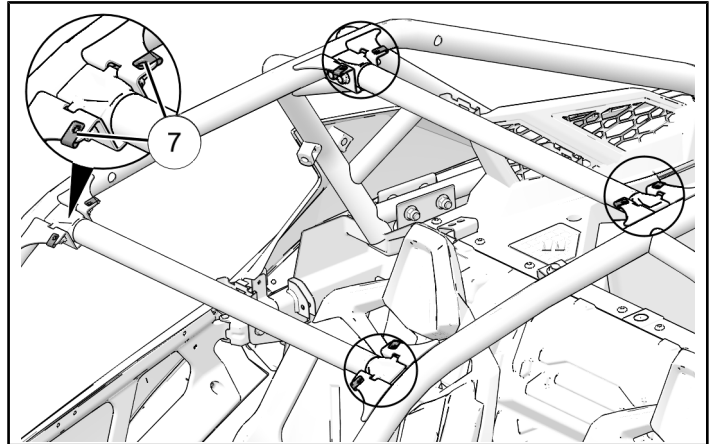
• P/N 2883743-XXX



• P/N 2883961-XXX

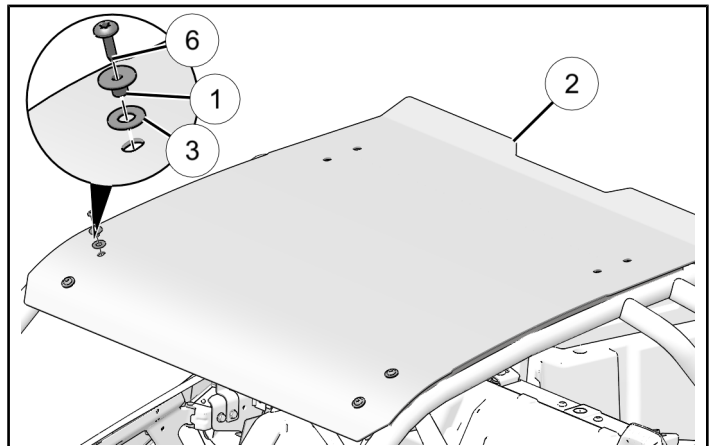


2. Install eight U-nuts ⑦ onto ROPS, as shown. Convex part of each nut will fit into mounting hole of each mounting plate.

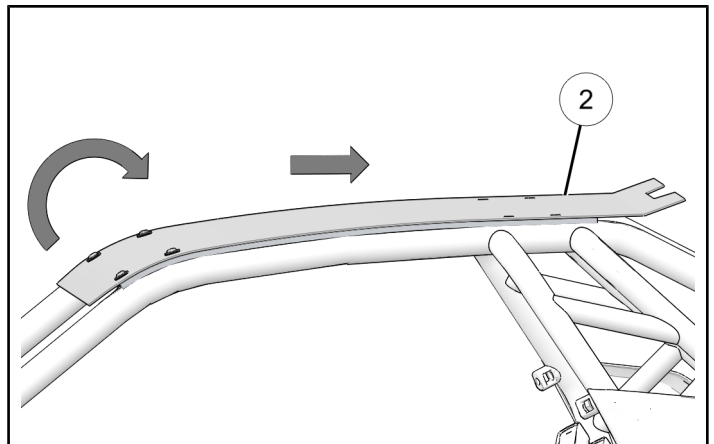


3. Install front of roof panel ② with four washers ③, four spacers ①, and four screws ⑥.

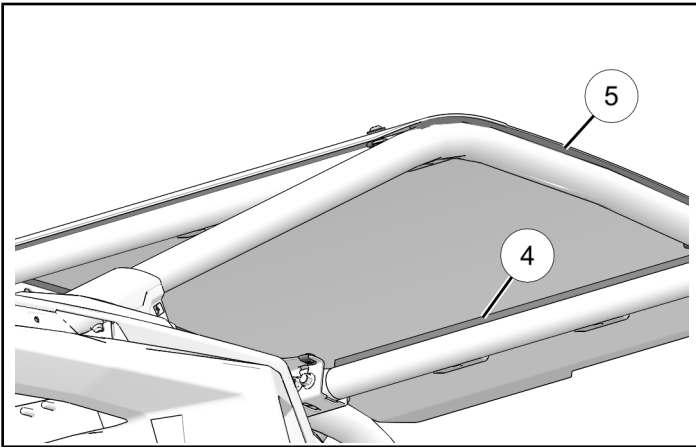
Do not torque screws ③ at this time.



4. With front of roof panel ② secure to vehicle ROPS, begin to slowly pull roof panel ② back so that it molds to ROPS curvature.

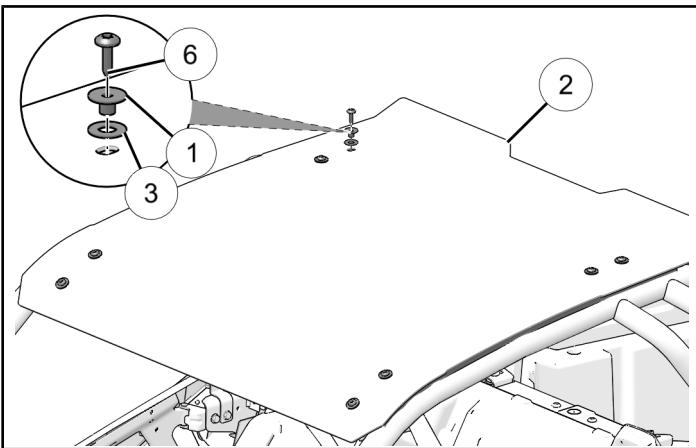


5. Ensure foam pieces ④ and ⑤ align with ROPS on all four sides.



6. Secure rear of roof panel ② to ROPS with four washers ③, four spacers ①, and four fasteners ⑥.

TORQUE
Roof Fasteners ⑥: 8 ft-lbs (11 N·m)

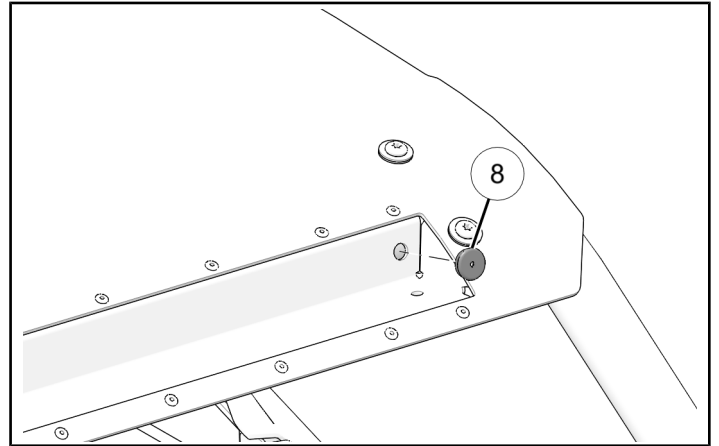


FEEDBACK FORM

A feedback form has been created for the installer to provide any comments, questions or concerns about the installation instructions. The form is viewable on mobile devices by scanning the QR code or by clicking [HERE](#) if viewing on a PC.



7. **P/N 2883961-XXX Only:**
Push rubber grommet ⑧ into harness routing hole until it is securely seated.



8. Verify torque specification of roof fasteners.
Torque may change due to foam compression.

TORQUE
Roof Fasteners ⑥: 8 ft-lbs (11 N·m)