

POLY ROOF KIT



P/N 2883928

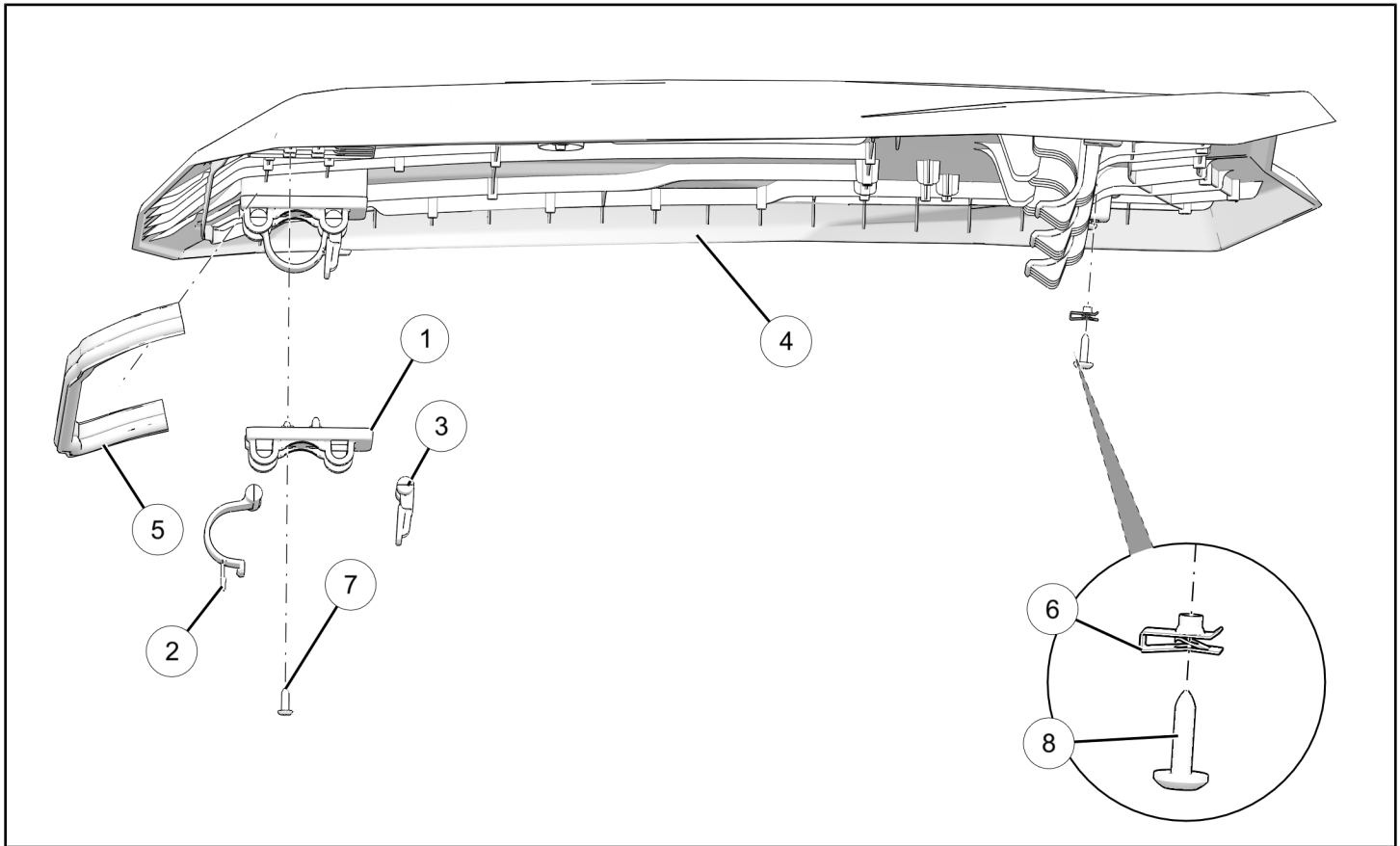
APPLICATION

Verify accessory fitment at Polaris.com.

BEFORE YOU BEGIN

Read these instructions and check to be sure all parts and tools are accounted for. Please retain these installation instructions for future reference and parts ordering information.

KIT CONTENTS



REF	QTY	PART DESCRIPTION	P/N AVAILABLE SEPARATELY	AVAILABLE HARDWARE KIT
1	2	Clamp, Base, Roof	5455622	2207824
2	2	Clamp, Hoop, Roof	5455623	2207824
3	2	Clamp, Latch, Roof	5455624	2207824
4	1	Panel, Roof, Poly	5455762	N/A
5	1	Seal, Clip, Top Bulb	5522287-1065	2207827
6	2	Clip, U, Speed Nut	7081305	2207827
7	8	Screw, Torx®, Truss, #14 X 3/4, HI/LO	7519045	2207827

REF	QTY	PART DESCRIPTION	P/N AVAILABLE SEPARATELY	AVAILABLE HARDWARE KIT
8	2	Screw, Torx®, M6 X 1.0 X 25	7519650	2207827
	1	Instructions	9929115	-

TOOLS REQUIRED

- Safety Glasses
- Screwdriver Set, Torx®
- Socket Set, Torx® Bit
- Torque Wrench

IMPORTANT

Your Poly Roof Kit is exclusively designed for your vehicle. Please read the installation instructions thoroughly before beginning. Installation is easier if the vehicle is clean and free of debris. For your safety, and to ensure a satisfactory installation, perform all installation steps correctly in the sequence shown.

INSTALLATION INSTRUCTIONS

⚠ WARNING

If transporting vehicle in non-enclosed trailer then vehicle must FACE FORWARD, or roof must be removed. Failure to comply may allow airflow, vibration, or other factors to separate roof from vehicle and cause an accident, resulting in serious personal injury or death.

VEHICLE PREPARATION

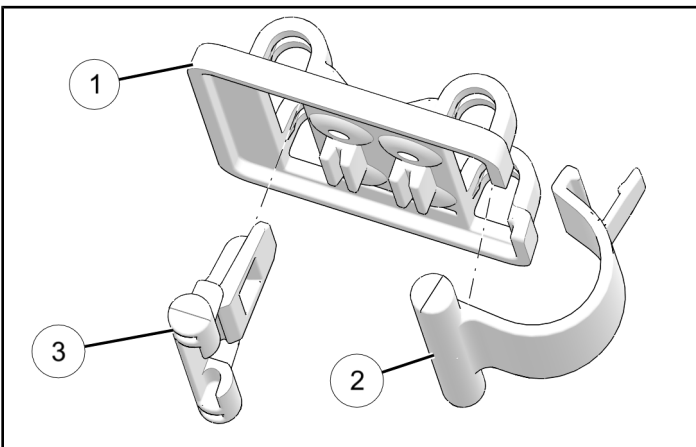
GENERAL

1. Shift vehicle transmission into PARK. Turn key to OFF position and remove from vehicle.

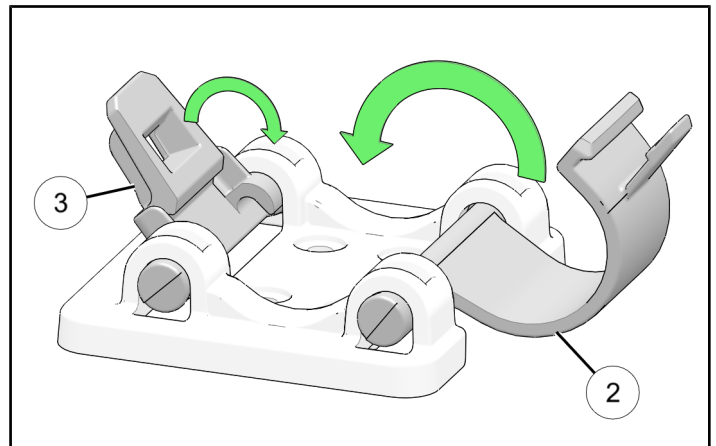
ACCESSORY INSTALLATION

CLAMP ASSEMBLY

1. Snap hoop ② and latch ③ into clamp base ①.



2. Test hoop ② and latch ③ movement to ensure both are fully installed.



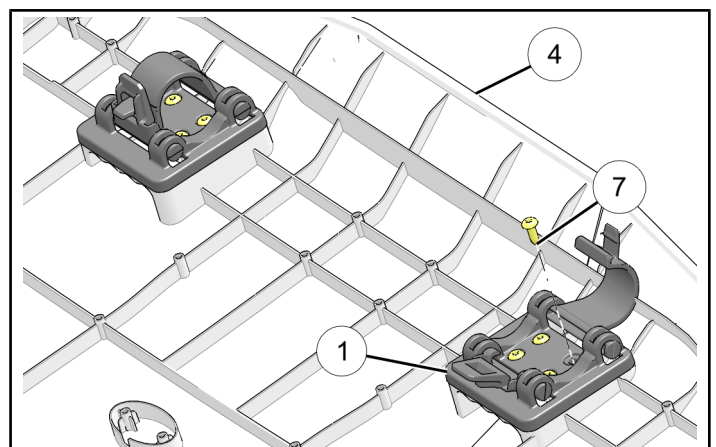
3. Repeat this section to assemble second clamp.

HARDWARE INSTALLATION

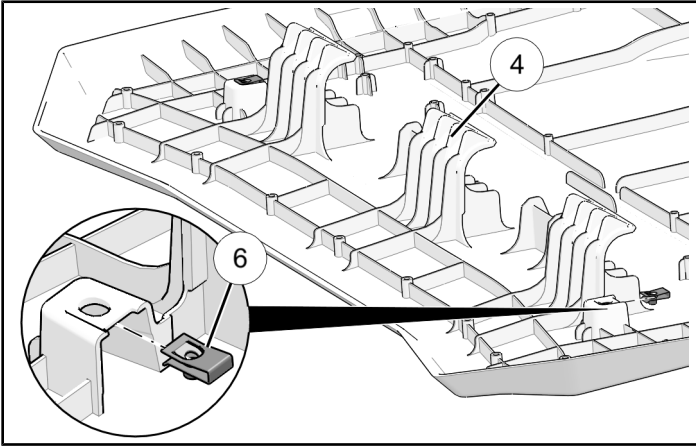
1. Install each clamp assembly ① onto roof panel ④ with four screws ⑦.

TORQUE

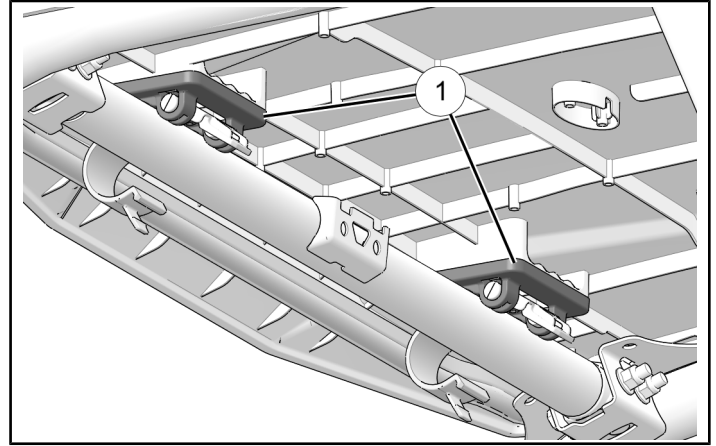
Eight screws ⑦: 20 in. lbs. (2 Nm)



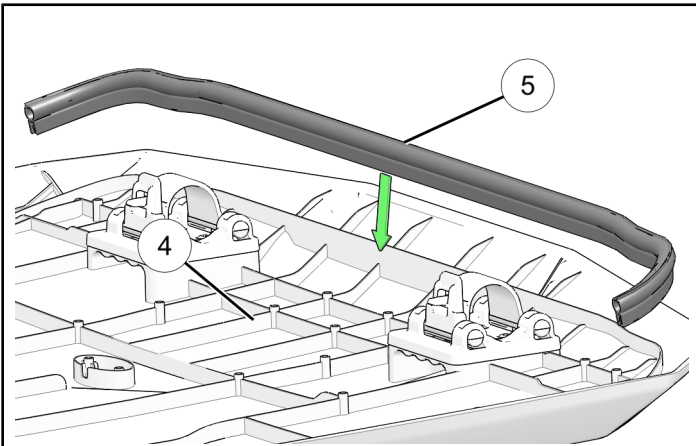
- Slide two U-clips ⑥ onto roof panel ④. Tabs on U-clips ⑥ will set within mounting holes of roof panel ④.



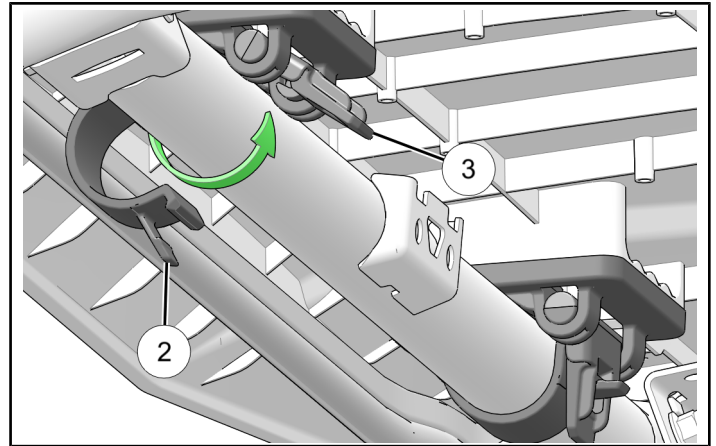
- Rest clamp assemblies ① onto ROPS front cross-beam. Firmly push roof panel into place until clamps engage around ROPS.



- If vehicle is equipped with windshield: Install seal ⑤ onto ridge of roof panel ④.

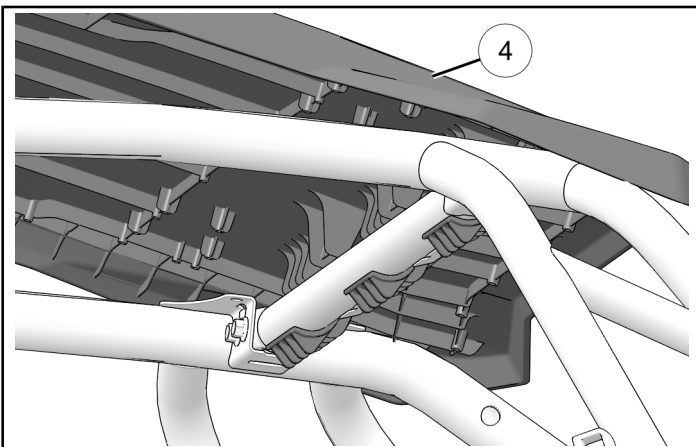


- Wrap hoops ② around ROPS front cross-beam and secure with latch ③.

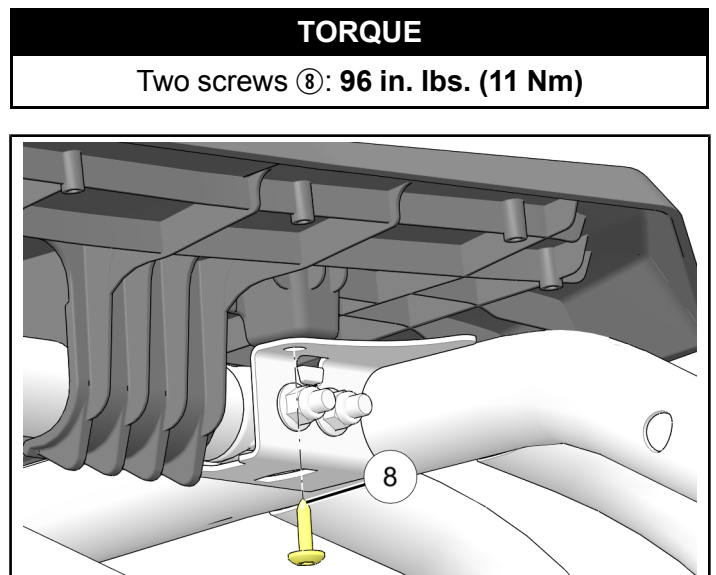


ROOF INSTALLATION

- Hook roof panel ④ onto ROPS rear cross-beam.



- Secure rear of roof panel ④ with two screws ⑧.



TORQUE

Two screws ⑧: **96 in. lbs. (11 Nm)**

FEEDBACK FORM

A feedback form has been created for the installer to provide any comments, questions or concerns about the installation instructions. The form is viewable on mobile devices by scanning the QR code or by clicking [HERE](#) if viewing on a PC.

