

# CREW ROOF AND LINER KITS



**P/N 2883781, 2883801, 2883802**

## APPLICATION

Verify accessory fitment at [Polaris.com](http://Polaris.com).

## BEFORE YOU BEGIN

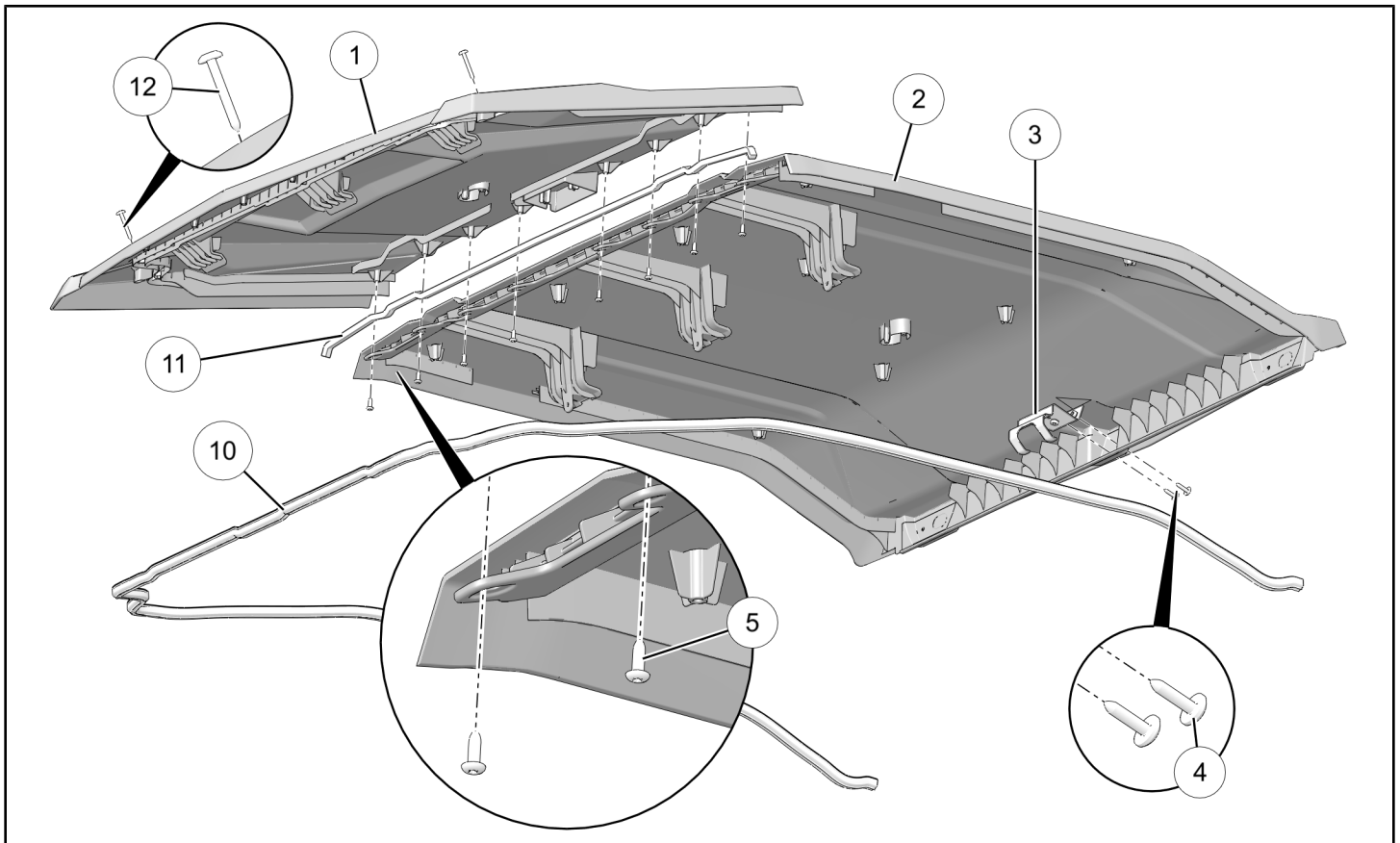
Read these instructions and check to be sure all parts and tools are accounted for. Please retain these installation instructions for future reference and parts ordering information.

## KIT CONTENTS

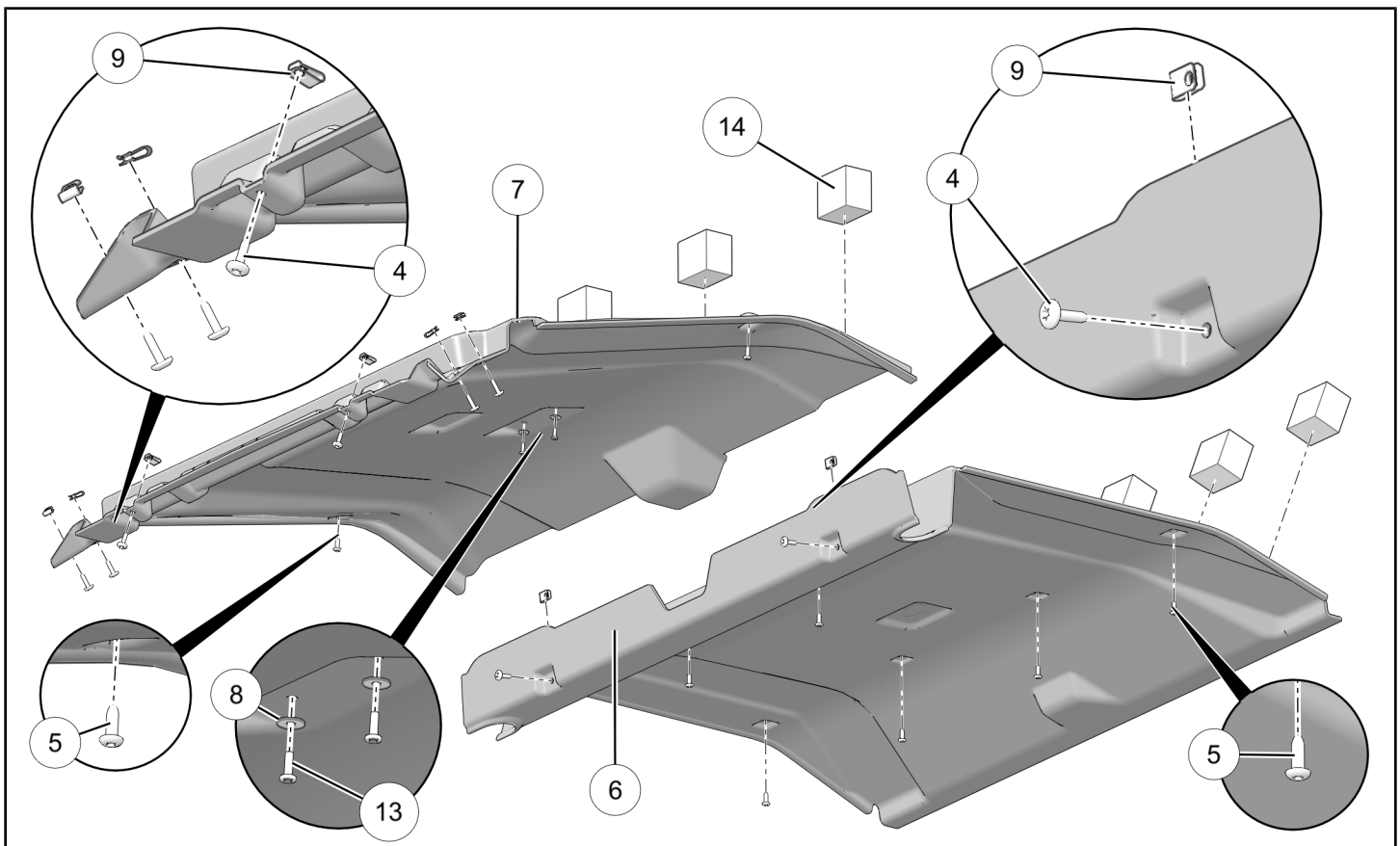
### NOTE

**Crew Premium Roof Kit PN 2883801** includes all parts included in Crew Sport Roof Kit PN 2883781 and Crew Roof Liner Kit PN 2883802 shown below.

## ROOF (Kit PNs 2883781 and 2883801)



**LINER (Kit PNs 2883801 and 2883802)**



REF	QTY	PART DESCRIPTION	PART NUMBER	INCLUDED IN KIT
1	1	Roof Panel, Front	-	2883801, 2883781
2	1	Roof Panel, Rear	-	2883801, 2883781
3*	1	Bracket	5266575-458	2883801, 2883781
4*	10 2 8	Screw, Torx® Truss Head - M6 X 1.0 X 25 Screw, Torx® Truss Head - M6 X 1.0 X 25 Screw, Torx® Truss Head - M6 X 1.0 X 25	7519650 7519650 7519650	2883801 2883781 2883802
5*	14 8	Screw, Torx® Truss Head, High/Low - #14 X 3/4 Screw, Torx® Truss Head, High/Low - #14 X 3/4	7519045 7519045	2883801 2883781, 2883802
6	1	Liner, Roof, Rear	5814807	2883801, 2883802
7	1	Liner, Roof, Front	5814806	2883801, 2883802
8*	2	Washer - 0.20 X 0.67 X 0.048	7556034	2883801, 2883802
9*	8	Nut, Clip	7547674	2883801, 2883802
10	1	Seal, Perimeter	5522189	2883801, 2883781
11	1	Seal, Mid Joint	5522207	2883801, 2883781
12*	2	Screw, Torx® Truss Head - M6 X 1.0 X 50	7519841	2883801, 2883781
13*	2	Screw, Torx® Pan Head, High/Low - #10 X 5/8	7518238	2883801, 2883802
14	8	Foam Block	5814830	2883801, 2883802
	1	Instructions	9929113	ALL

Items marked (\*) are included in Hardware Kit PN 2207762 (universal kit includes all roof and liner hardware).

## TOOLS REQUIRED

- Safety Glasses
- Drill\*
- Drill Bit: 5/16 inch (8 mm)\*
- \* Tool requirement dependent on specific installation.

- Screwdriver Set, Torx®
- Socket Set, Torx® Bit
- Torque Wrench

## IMPORTANT

Your Crew Roof and Liner Kits is exclusively designed for your vehicle. Please read the installation instructions thoroughly before beginning. Installation is easier if the vehicle is clean and free of debris. For your safety, and to ensure a satisfactory installation, perform all installation steps correctly in the sequence shown.

## INSTALLATION INSTRUCTIONS

These instructions contain three sections. Perform the section(s) applicable to your kit.

- **INSTALL ROOF PANEL**
- **INSTALL ROOF LINER WITHOUT OVERHEAD SOUND BAR**
- **INSTALL ROOF LINER WITH OVERHEAD SOUND BAR**

### INSTALL ROOF PANEL

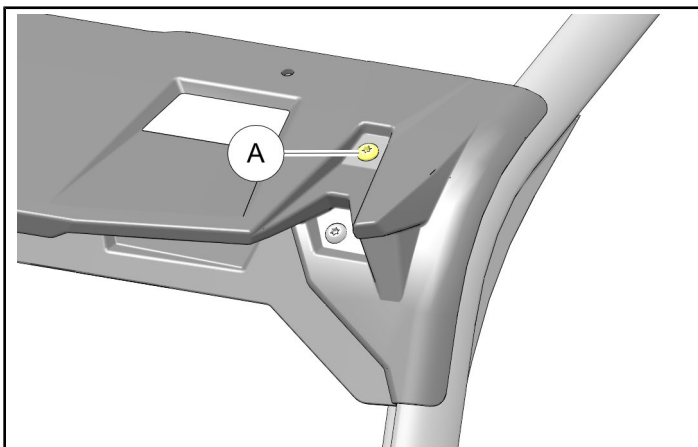
#### NOTE

Polaris recommends two people assemble and install this kit.

1. Shift vehicle transmission into "PARK". Turn ignition switch to "OFF" position and remove key.
2. Remove upper rear screw (A) from LH side of ROPS visor. Repeat for RH side. Screws will not be reused.

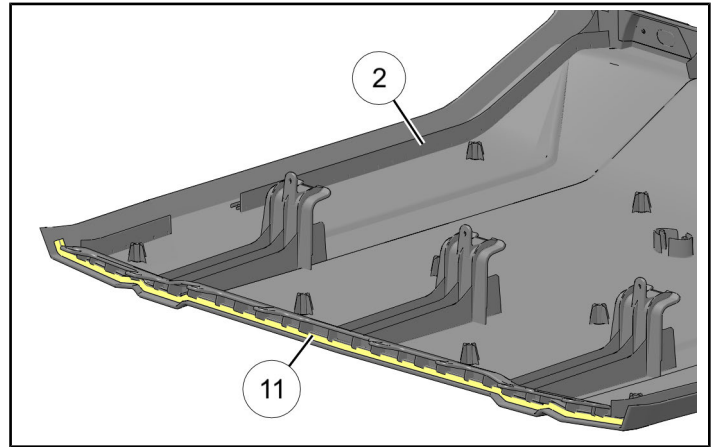
#### NOTE

Do not remove screw from lower front side of visor. Roof panel (1) will be installed on top of visor.

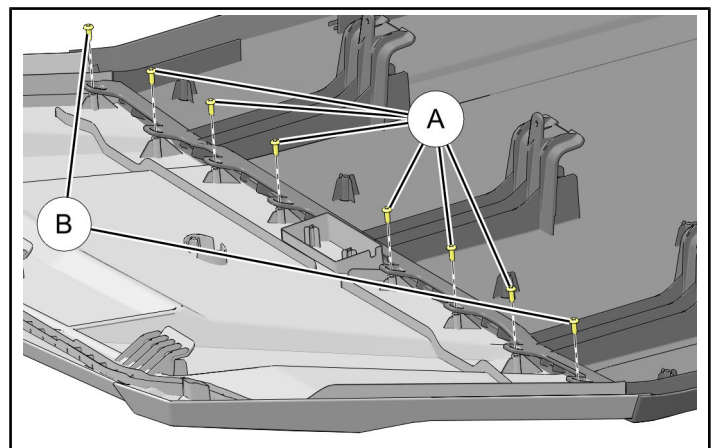


3. Lay roof panels (1) and (2) upside down on protective surface.

4. Insert mid joint seal (11) into slot on forward edge of rear roof panel (2).



5. Insert front roof panel (1) into rear roof panel (2), then secure panels as follows:
  - **Kit 2883781:** Install eight screws (5) at locations (A) and (B)
  - **Kit 2883801:** Install six screws (5) only at locations (A). Two locations (B) will be installed later.

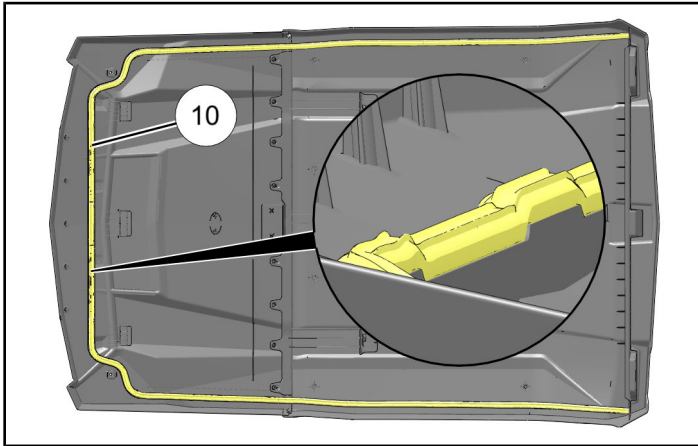


6. Torque screws (5) to specification.

#### TORQUE

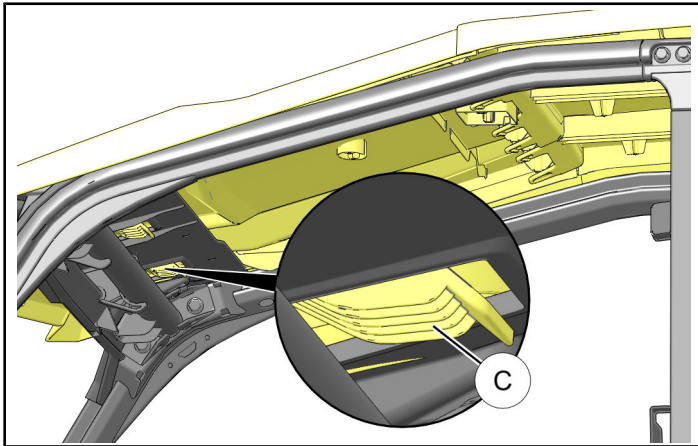
20 in. lbs. (2.3 Nm) ± 10%

7. Install perimeter seal ⑩ into slot on front and rear roof panels. Ensure two ribs on seal face AWAY from panels as shown in detail (to make contact with ROPS when installed on vehicle).

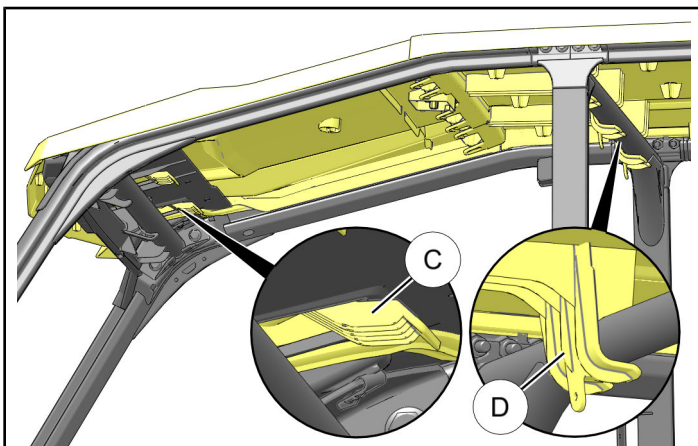


8. Using two people lift entire roof assembly as a single unit, supporting front and rear panels to prevent bending, then lay on top of ROPS.

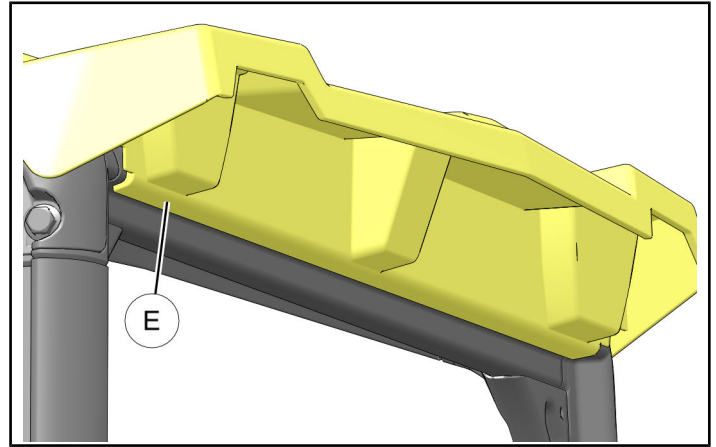
Insert three hooks ③ through openings in ROPS visor.



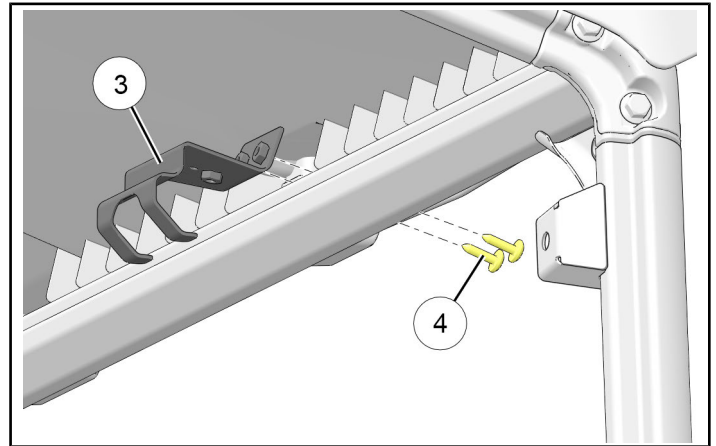
9. Slide entire roof assembly rearward until three hooks ③ lock into ROPS visor, AND three hooks ④ lock into B-pillar cross-member.



10. Press rear edge of rear roof panel down until flange ⑤ locks into C-pillar cross-member.

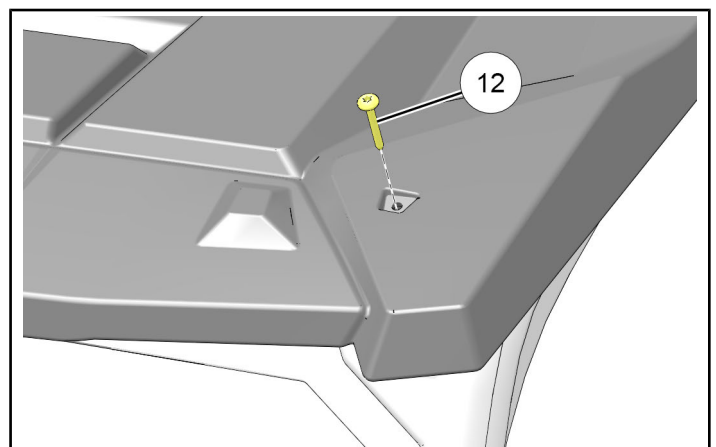


11. Secure rear roof panel to C-pillar cross-member using bracket ③ and two screws ④.



12. Secure front roof panel to ROPS visor using two screws ⑫.

**NOTE**  
LH side shown; RH side opposite.



13. Torque screws ④ and ⑫ to specification.

### TORQUE

42 in. lbs. (4.7 Nm) ± 10%

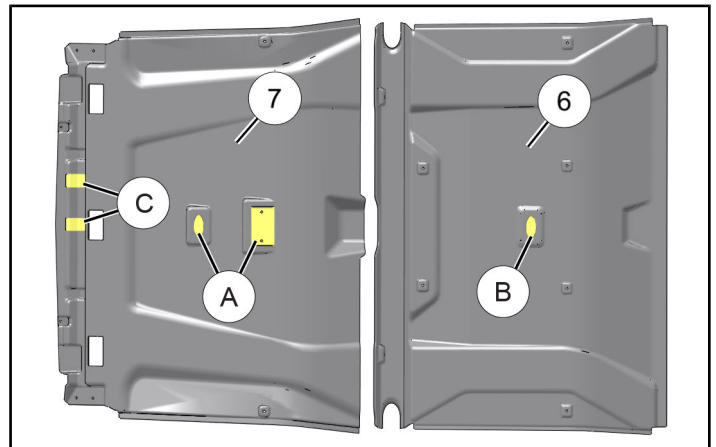
### ⚠ WARNING

If transporting vehicle in non-enclosed trailer then vehicle must FACE FORWARD, or roof must be removed.

Failure to comply may allow airflow, vibration, or other factors to separate roof from vehicle and cause an accident, resulting in serious personal injury or death.

## INSTALL ROOF LINER WITHOUT OVERHEAD SOUND BAR

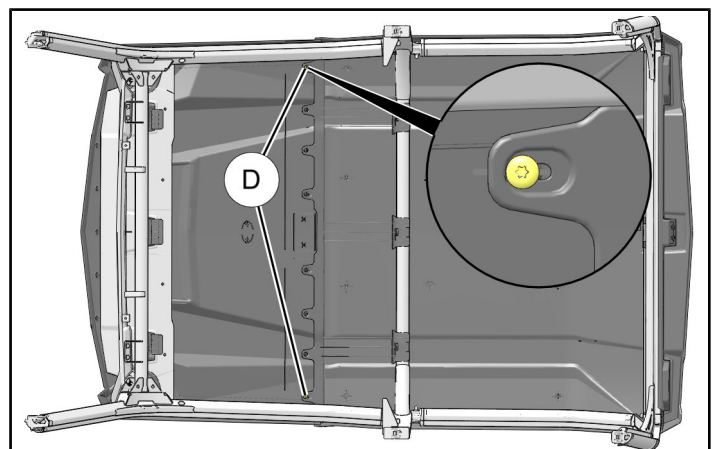
1. OPTIONAL: If installing any of the following accessories (sold separately), then modify roof liners ⑥ and/or ⑦ as described below.
  - **Front Light:** Cut rectangular or oval opening ①, as required, to accommodate light. Install electrical harness per instructions included with accessory.
  - **Rear Light:** Cut oval opening ② to accommodate light. Install electrical harness per instructions included with accessory.
  - **Rear View Mirror:** Cut center or offset opening ③, as required, to accommodate mirror.



2. If roof panels were previously installed with two outboard screws ④, then remove them now.

### NOTE

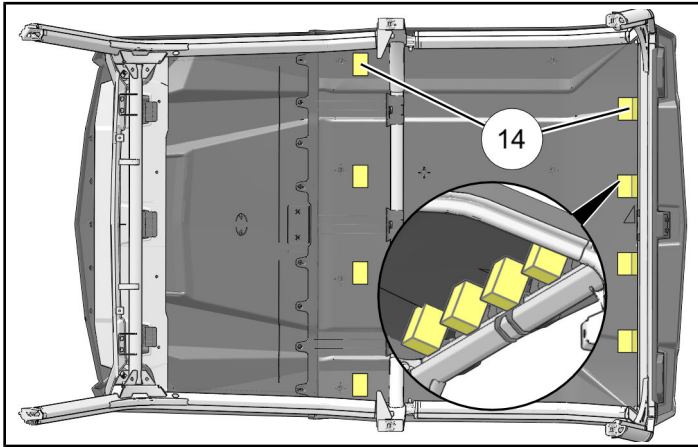
Screws will be reinstalled with front liner.





3. Clean underside of front and rear roof panels as required to ensure proper foam tape adhesion.

Peel adhesive backing from foam block ⑭, then apply four to each panel (front and rear) at locations shown. Press firmly into place.

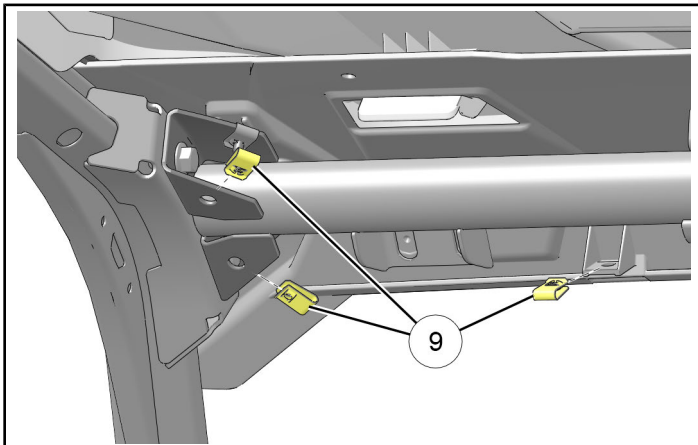


4. Install front roof liner.

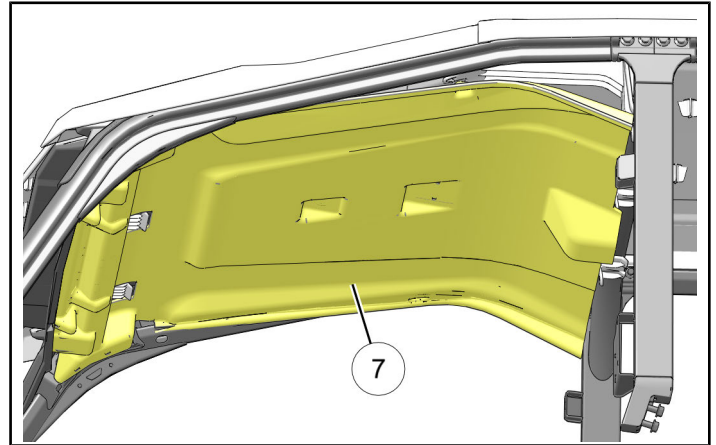
- a. Install three clip nuts ⑨: two on A-pillar cross-member mounting bracket, and one on visor. Repeat for RH side.

**NOTE**

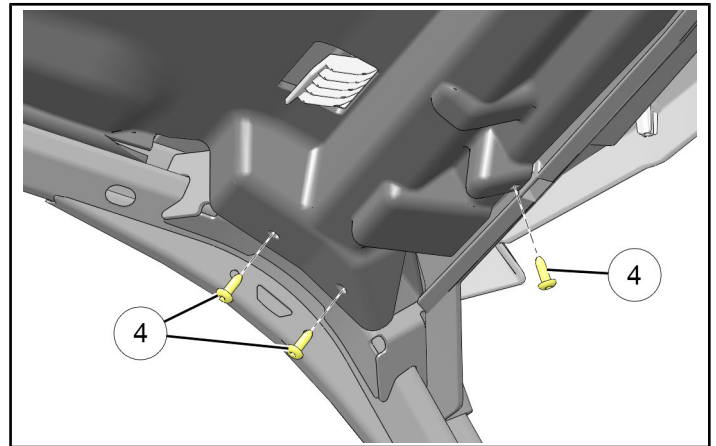
LH side shown; RH side opposite.



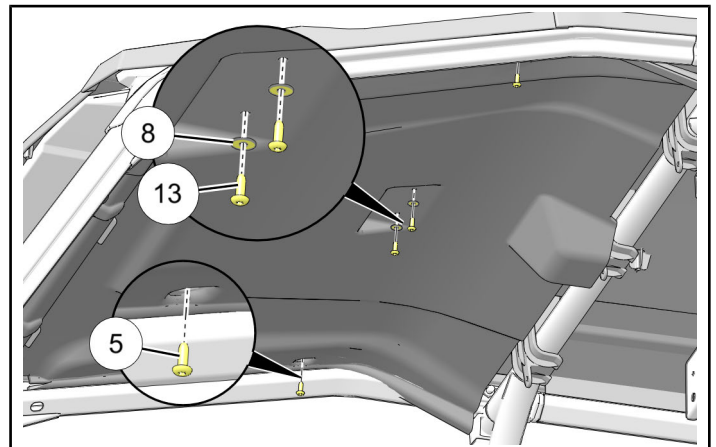
- b. Install front roof liner ⑦ by inserting LH and RH liner edges between ROPS and roof seal.



- c. Loosely secure front of roof liner to ROPS bracket and roof using three screws ④. Repeat for RH side.



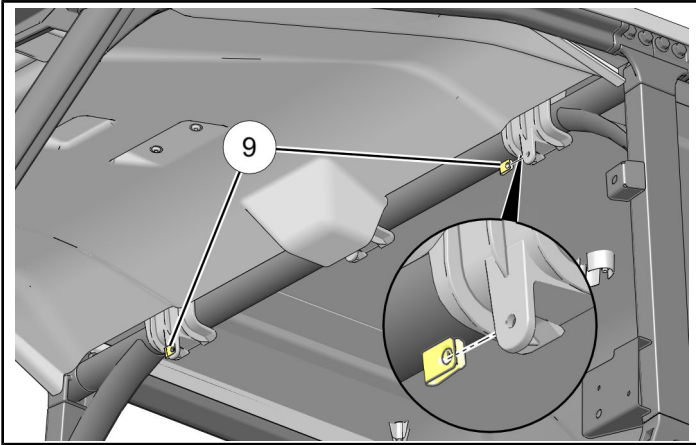
- d. If installing optional front light, then refer to instructions included with light. Otherwise, loosely install two each screws ⑬ and washers ⑧ through roof liner into roof.



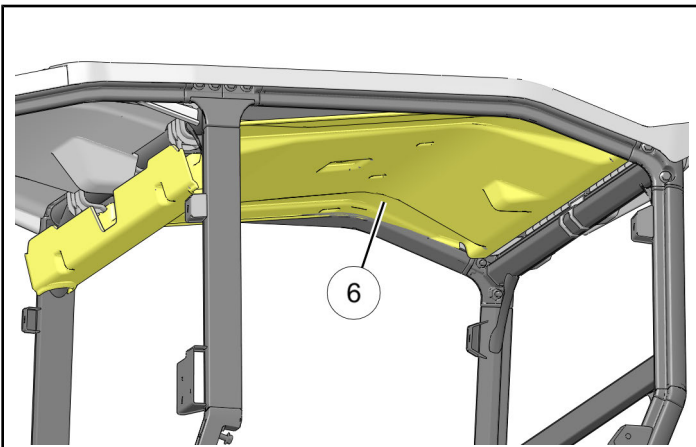
- e. Install two screws ⑤ into roof, one on each side of roof liner. Tighten screws.
- f. Tighten six screws ④ (see previous Step c.) and two screws ⑬.

5. Install rear roof liner.

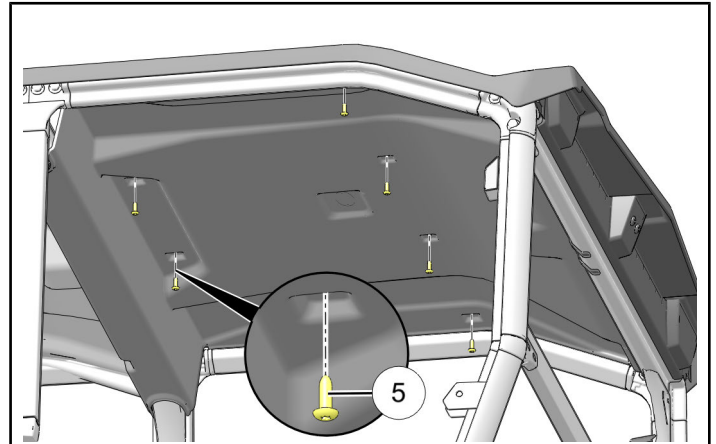
- a. Install two clip nuts ⑨ to outboard tabs on rear roof panel. Ensure proper orientation: locking tangs on clip nut must be on REAR side of roof tab.



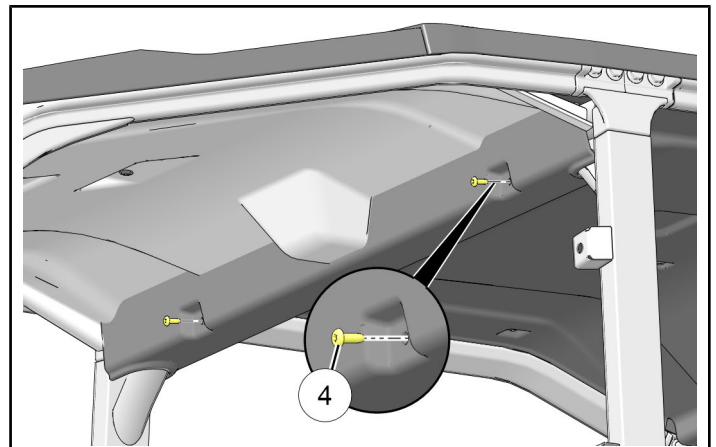
- b. Insert rear edge of rear roof liner ⑥ above C-pillar cross-member, then slowly tip liner up, inserting LH and RH liner edges between ROPS and roof seal.



- c. OPTIONAL: If installing rear light, then refer to instructions included with light.
- d. Loosely install six screws ⑤ upward through roof liner into roof.



- e. Loosely install two screws ④ rearward through roof liner into previously installed clip nuts ⑨.



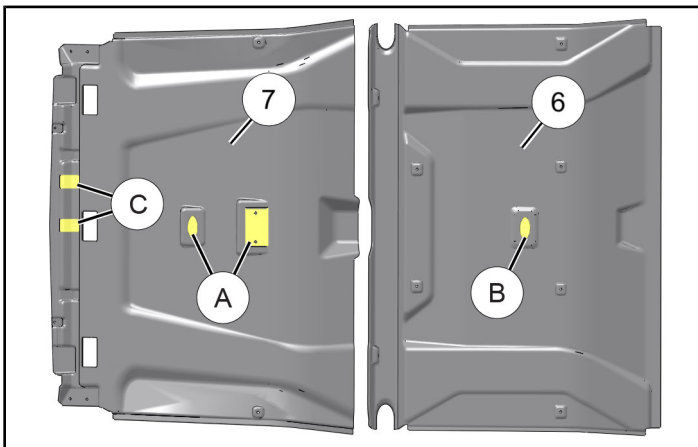
- f. Tighten all screws ④ and ⑤. Do not over-tighten screws.

## INSTALL ROOF LINER WITH OVERHEAD SOUND BAR

### NOTE

Follow this section if Sound Bar Kit PN 2883115 (or factory installed equivalent) is already installed. Polaris recommends two people assemble and install this kit.

1. OPTIONAL: If installing any of the following accessories (sold separately), then modify roof liners ⑥ and/or ⑦ as described below.
  - **Front Light:** Cut rectangular or oval opening ①, as required, to accommodate light. Install electrical harness per instructions included with accessory.
  - **Rear Light:** Cut oval opening ② to accommodate light. Install electrical harness per instructions included with accessory.
  - **Rear View Mirror:** Cut center or offset opening ③, as required, to accommodate mirror.

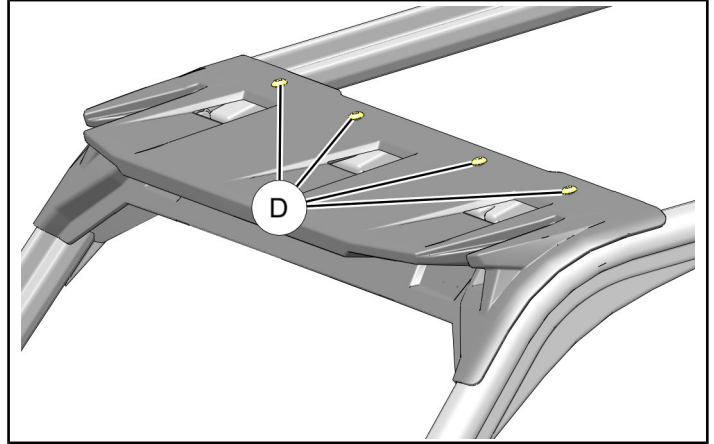


2. Remove roof per previous section **INSTALL ROOF PANEL**, Steps 8–12 (performed in reverse order).

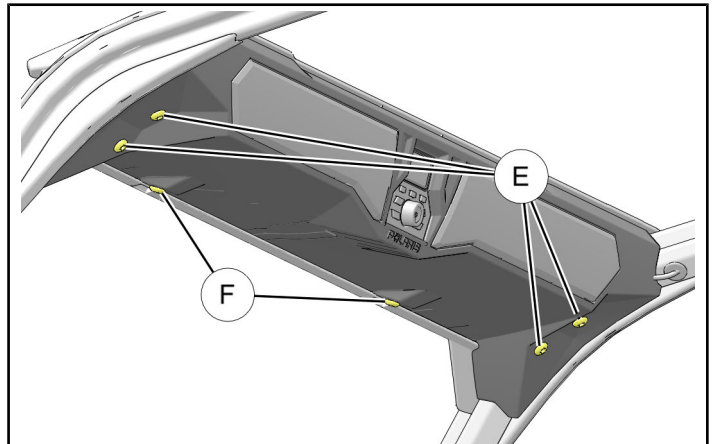
### NOTE

Roof must be removed to gain access to upper sound bar mounting screws.

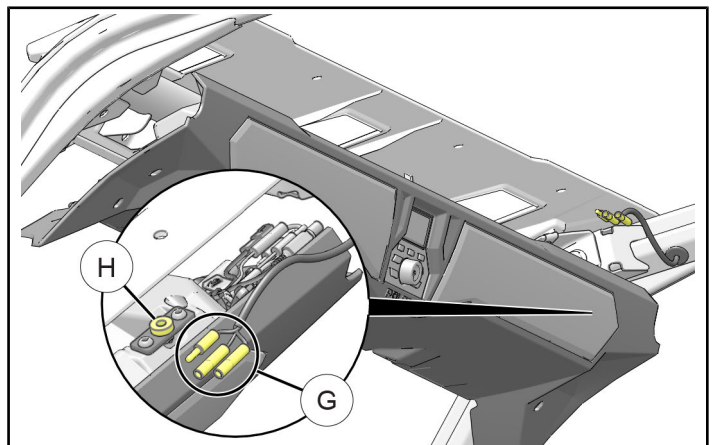
3. Remove sound bar.
  - a. Remove four sound bar mounting screws ④. Retain screws.



- b. **WHILE SUPPORTING SOUND BAR**, remove four sound bar mounting screws ⑤ and two screws ⑥. Retain screws.

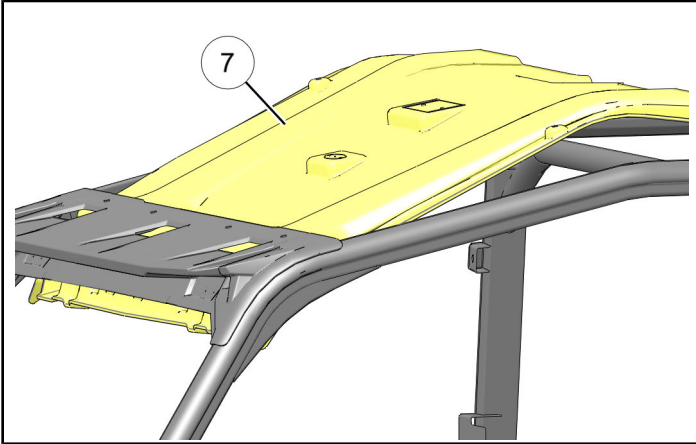


- c. Carefully lower sound bar enough to detach three bullet connectors ⑦. Retrieve four spacers ⑧ on upper mounting plates to prevent loss, then set sound bar aside.

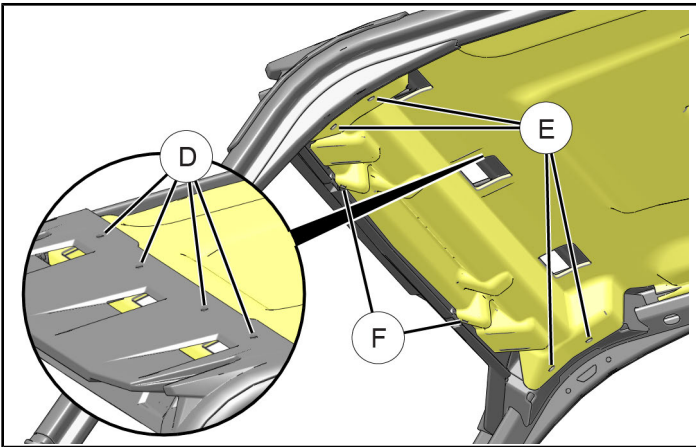




4. Install front roof liner ⑦ by inserting front edge beneath visor, then lowering until LH and RH liner edges rest on ROPS tubing.



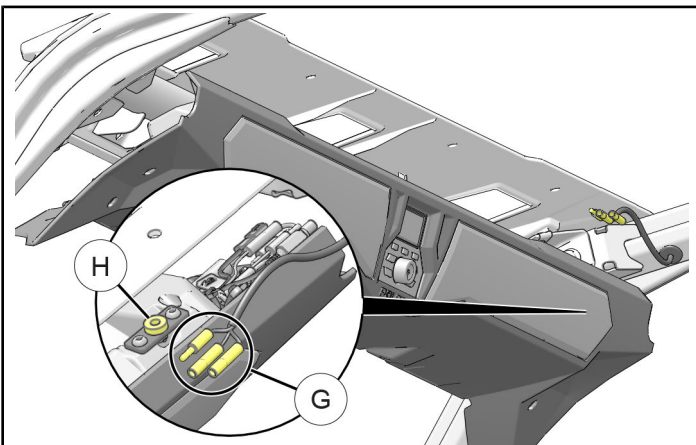
5. Align all six liner holes ⑤ and ⑥ with nut clips in ROPS structure, mark four upper holes ④, then remove liner. Drill 5/16 inch (8 mm) holes through liner at marked locations, then reinstall liner.



6. Reinstall sound bar.
  - a. Align four spacers ⑧ with holes in sound bar mounting plates, then tape spacers in place.

**NOTE**

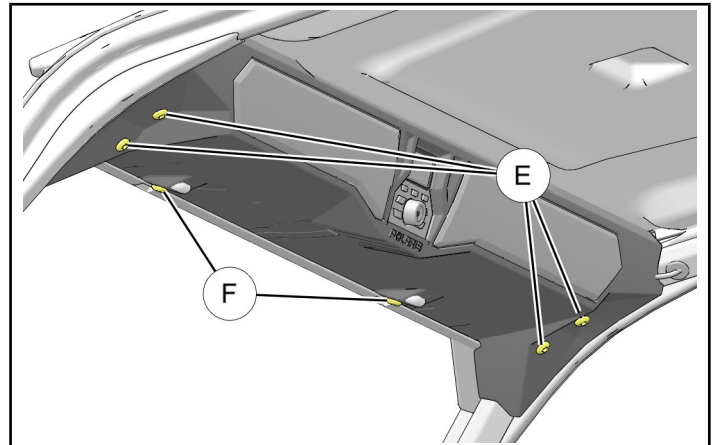
Liner hidden for clarity.



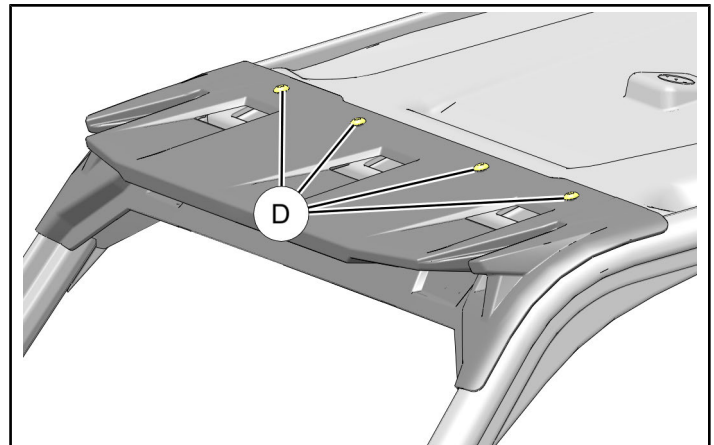
- b. Lift sound bar up to ROPS and reattach three bullet connectors ⑥ (match wire colors: red to red, orange/white stripe to orange, and brown to brown).
  - c. Reinstall sound bar to ROPS using four screws ⑤ and two screws ⑥. Do not fully tighten screws at this time.

**IMPORTANT**

Do NOT use screws ④ provided with liner kit. Screws are not long enough to secure sound bar.



- d. Reinstall four sound bar mounting screws ④. Ensure screws pass through spacers ⑧.

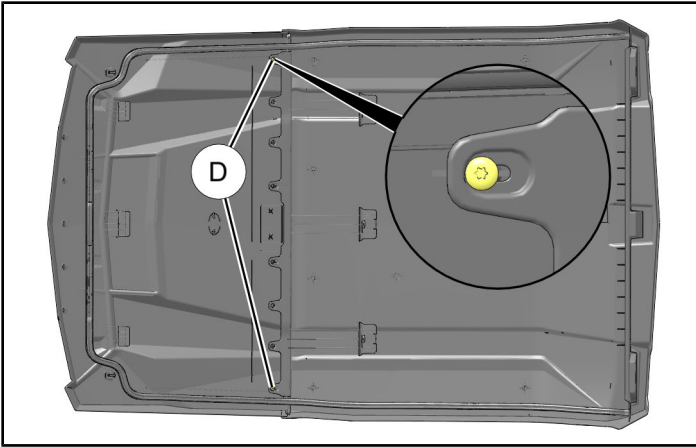


- e. Tighten all four screws ④, four screws ⑤, and two screws ⑥.

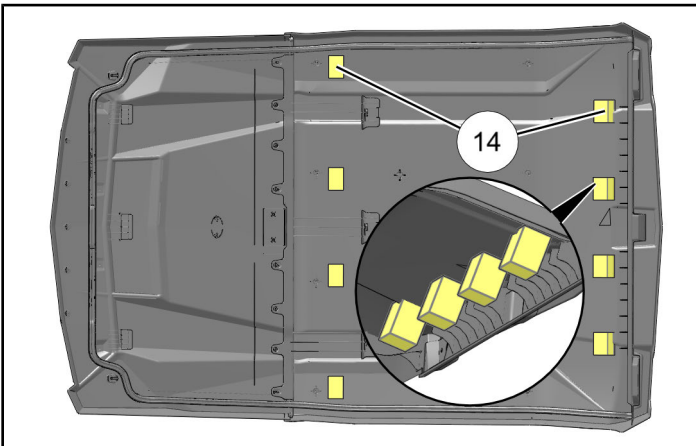
- Remove two outboard screws ④ from roof panels. Screws will not be reused.

### NOTE

New screws will be reinstalled with front liner.



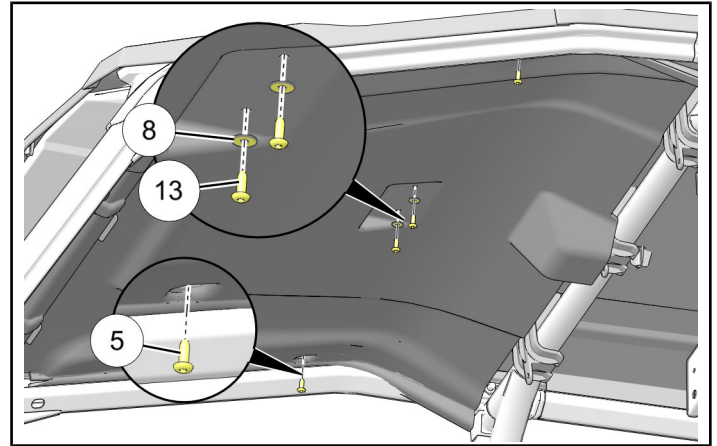
- Clean underside of front and rear roof panels as required to ensure proper foam tape adhesion. Peel adhesive backing from foam block ⑭, then apply four to each panel (front and rear) at locations shown. Press firmly into place.



- Reinstall roof per previous section **INSTALL ROOF PANEL**, Steps 8–13.

- Finish installing front roof liner.

- If installing optional front light, then refer to instructions included with light. Otherwise, loosely install two each screws ⑬ and washers ⑧ through roof liner into roof.



- Install two screws ⑤ into roof, one on each side of roof liner. Tighten screws.
- Tighten two screws ⑬.

- Install rear roof liner per previous section, **INSTALL ROOF LINER WITHOUT OVERHEAD SOUNDBAR**, Step 5.

## FEEDBACK FORM

A feedback form has been created for the installer to provide any comments, questions or concerns about the installation instructions. The form is viewable on mobile devices by scanning the QR code or by clicking [HERE](#) if viewing on a PC.

### FEEDBACK FORM

