

ROOF KIT



P/N 2883780, 2883800

APPLICATION

Verify accessory fitment at Polaris.com.

BEFORE YOU BEGIN

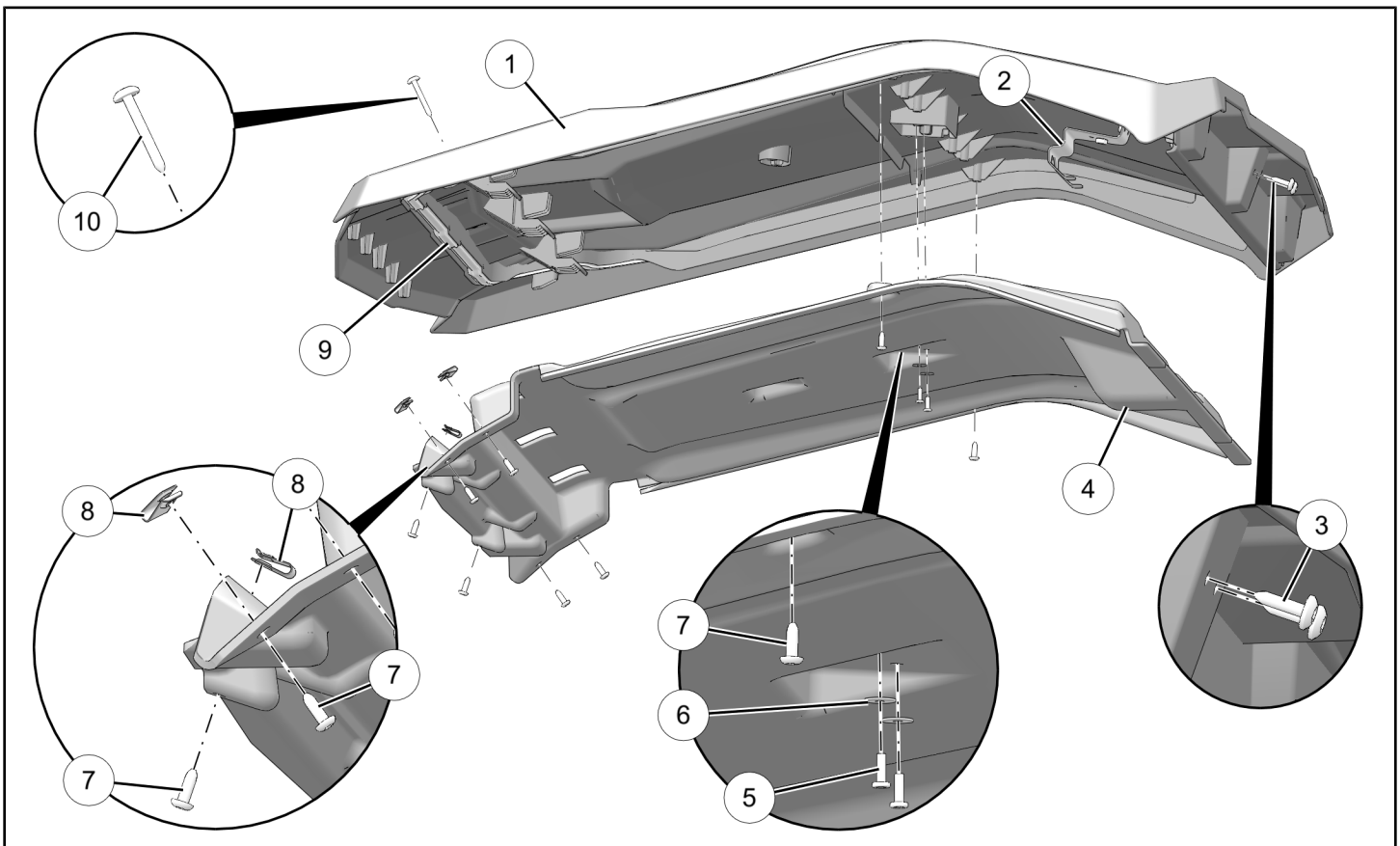
Read these instructions and check to be sure all parts and tools are accounted for. Please retain these installation instructions for future reference and parts ordering information.

KIT CONTENTS

This Kit includes:

NOTE

Kit PN 2883800 shown; Kit PN 2883780 similar except as noted below.



REF	QTY	PART DESCRIPTION	PART NUMBER
1	1	Roof Panel	-
2*	1	Bracket	5266575-458
3*	2	Screw, Torx® Truss Head - M6 X 1.0 X 25	7519650
4	1	Liner, Roof (Kit PN 2883800 only)	5814805
5*	2	Screw, Torx® Pan Head, High/Low - #10 X 5/8 (Kit PN 2883800 only)	7518238
6*	2	Washer - 0.20 X 0.67 X 0.048 (Kit PN 2883800 only)	7556034

REF	QTY	PART DESCRIPTION	PART NUMBER
7*	8	Screw, Torx® Truss Head, High/Low - #14 X 3/4 (Kit PN 2883800 only)	7519045
8*	6	Nut, Clip (Kit PN 2883800 only)	7547674
9	1	Seal	5415720
10*	2	Screw, Torx® Truss Head - M6 X 1.0 X 50	7519841
	1	Instructions	9929112

Items marked (*) are included in Hardware Kit PN 2207763.

TOOLS REQUIRED

- Safety Glasses
- Screwdriver Set, Torx®
- Socket Set, Torx® Bit
- Torque Wrench

IMPORTANT

Your Roof Kit is exclusively designed for your vehicle. Please read the installation instructions thoroughly before beginning. Installation is easier if the vehicle is clean and free of debris. For your safety, and to ensure a satisfactory installation, perform all installation steps correctly in the sequence shown.

ASSEMBLY TIME

Approximately 10–25 minutes

NOTE

Time dependent on specific kit purchased and accommodation of other accessories.

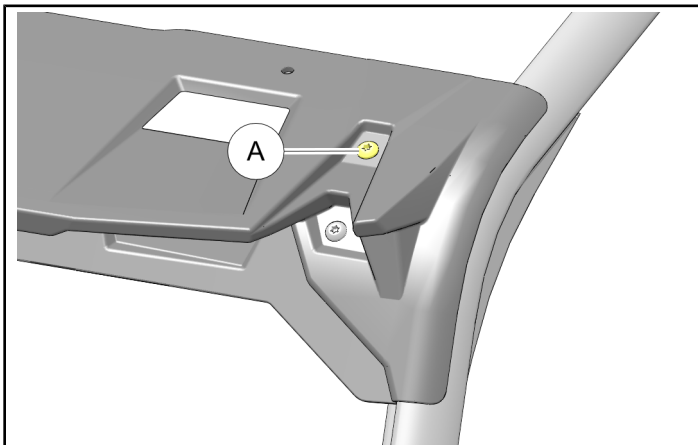
INSTALLATION INSTRUCTIONS

INSTALL ROOF PANEL

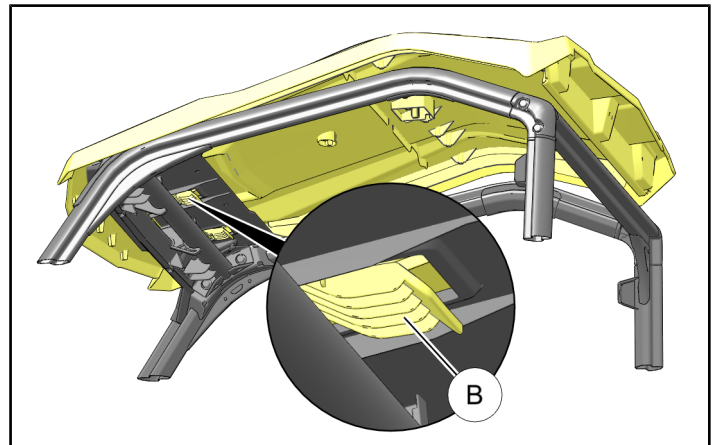
1. Shift vehicle transmission into “PARK”. Turn ignition switch to “OFF” position and remove key.
2. Remove upper rear screw (A) from LH side of ROPS visor. Repeat for RH side. Screws will not be reused.

NOTE

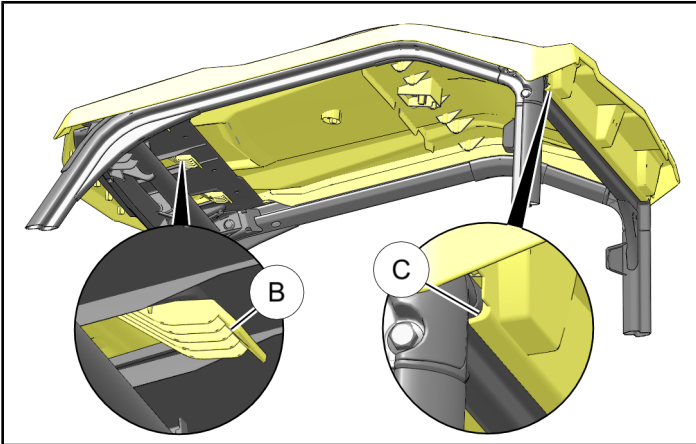
Do not remove two screws from lower front side of visor. Roof panel (1) will be installed on top of visor.



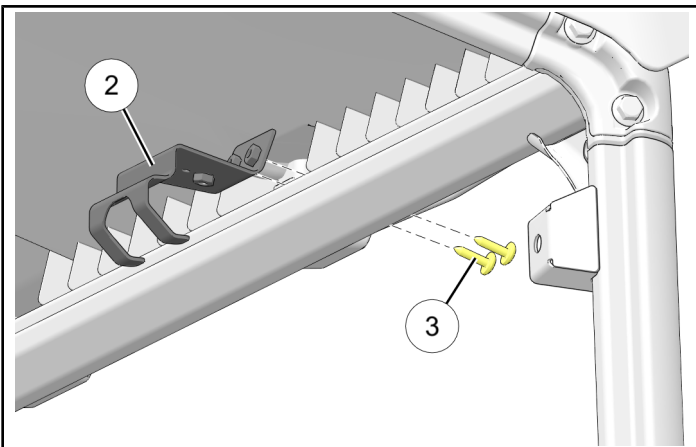
3. Lay roof panel (1) on top of ROPS, inserting three hooks (B) through openings in ROPS visor.



- Slide roof panel rearward until hooks **(B)** lock into ROPS visor, then press rear edge of roof panel down until flange **(C)** locks into B-pillar cross-member.



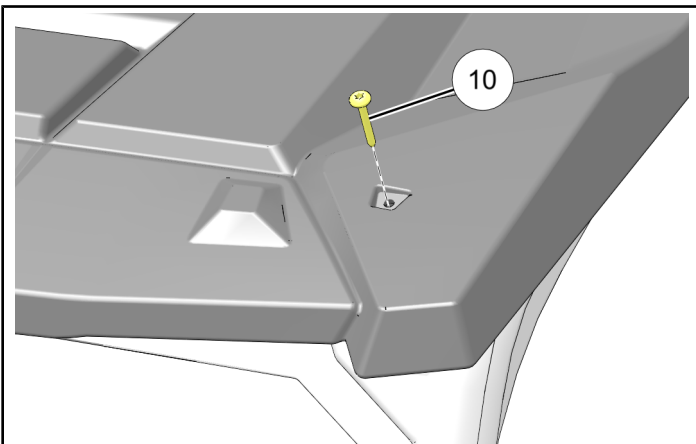
- Secure rear of roof panel to B-pillar cross-member using bracket **(2)** and two screws **(3)**.



- Secure front of roof panel to ROPS visor using two screws **(10)**.

NOTE

LH side shown; RH side opposite.



- Torque screws **(3)** and **(10)** to specification.

TORQUE

42 in. lbs. (4.7 Nm) ± 10%

⚠ WARNING

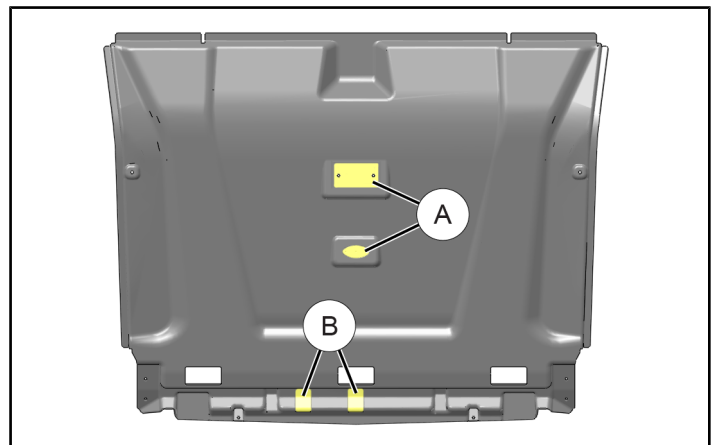
If transporting vehicle in non-enclosed trailer then vehicle must **FACE FORWARD**, or roof must be removed.

Failure to comply may allow airflow, vibration, or other factors to separate roof from vehicle and cause an accident, resulting in serious personal injury or death.

- If installing kit PN 2883800 then proceed to next section, **INSTALL ROOF LINER**.

INSTALL ROOF LINER (KIT PN 2883800 ONLY)

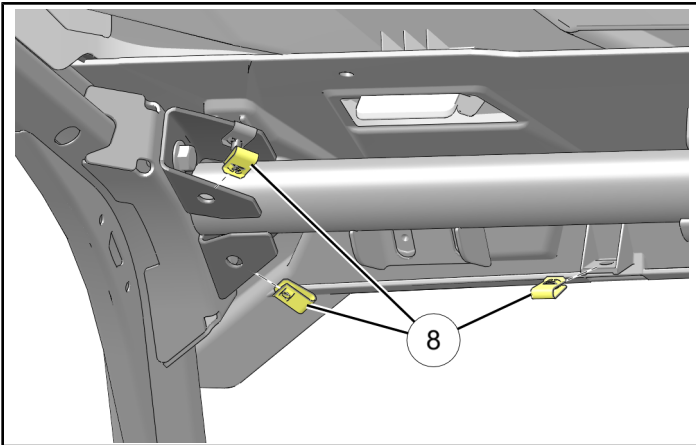
- OPTIONAL: If installing one or both of the following accessories (sold separately), then modify roof liner **(4)** as described below.
 - Light:** Cut rectangular or oval opening **(A)**, as required, to accommodate light. Install electrical harness per instructions included with accessory.
 - Rear View Mirror:** Cut center or offset opening **(B)**, as required, to accommodate mirror.



2. Install three clip nuts ⑧: two on A-pillar cross-member mounting bracket, and one on visor. Repeat for RH side.

NOTE

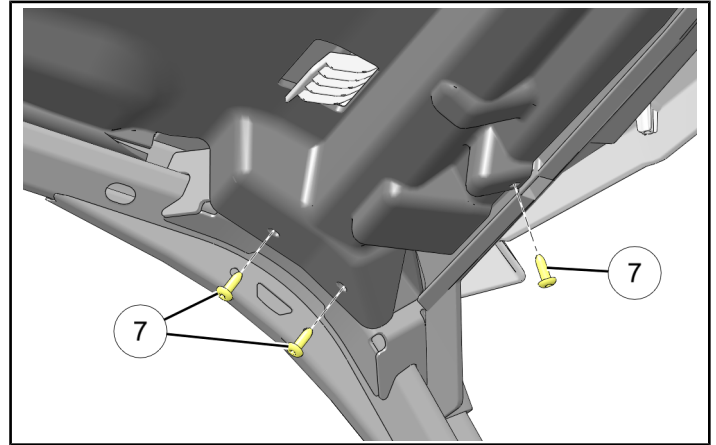
LH side shown; RH side opposite.



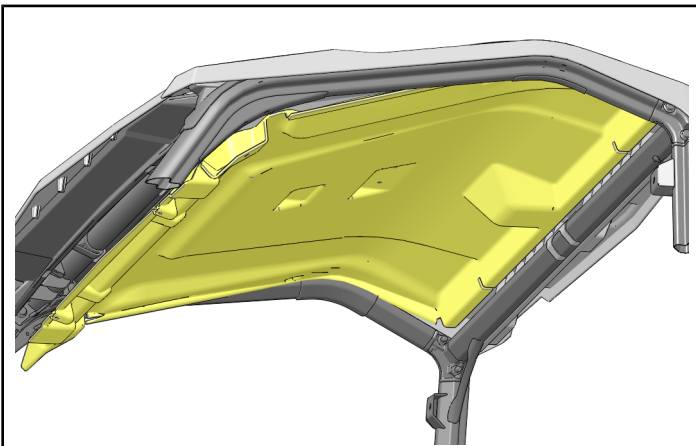
4. Loosely secure front of roof liner to ROPS bracket and roof using three screws ⑦. Repeat for RH side.

NOTE

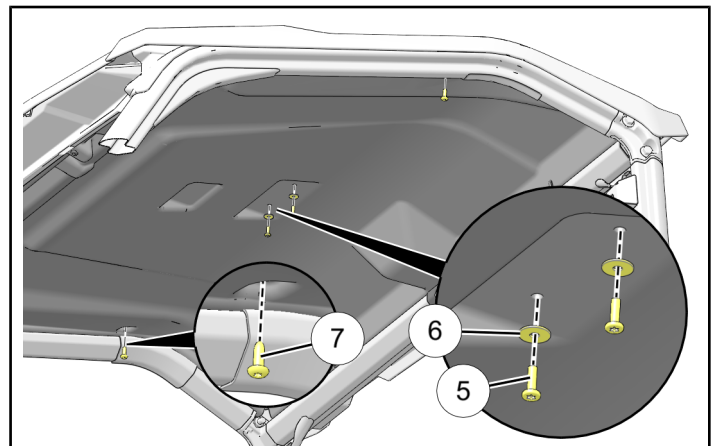
LH side shown; RH side opposite.



3. Insert rear edge of roof liner ④ above B-pillar cross-member, then slowly tip liner up, inserting LH and RH liner edges between ROPS and roof seal.



5. If installing optional light, then refer to instructions included with light. Otherwise, loosely install two each screws ⑤ and washers ⑥ through roof liner ④ into roof.



6. Loosely install two screws ⑦ into roof, one on each side of roof liner ④.
7. Tighten all screws ⑤ and ⑦. Do not over-tighten screws.

FEEDBACK FORM

A feedback form has been created for the installer to provide any comments, questions or concerns about the installation instructions. The form is viewable on mobile devices by scanning the QR code or by clicking [HERE](#) if viewing on a PC.

FEEDBACK FORM

