

# WINDSHIELD WIPER SERVICE KIT



**P/N 2207624**

## APPLICATION

Verify accessory fitment at [Polaris.com](http://Polaris.com).

### IMPORTANT

This service kit cannot be used with General Purpose Windshield (Kit PN 2883278).

## BEFORE YOU BEGIN

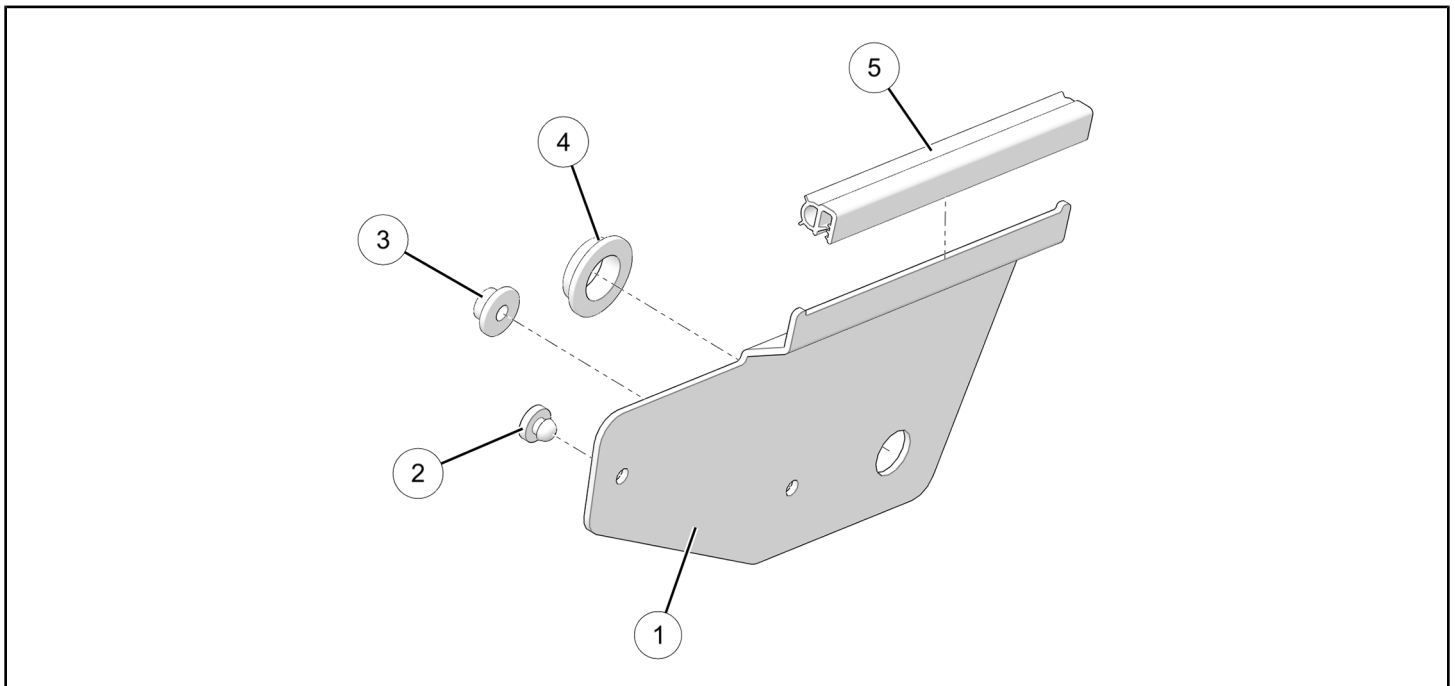
Read these instructions and check to be sure all parts and tools are accounted for. Please retain these installation instructions for future reference and parts ordering information.

## KIT CONTENTS

This kit contains parts for installation of the windshield wiper support bracket only. Installation of the following additional kits is also required (sold separately):

- Windshield Wiper Kit (PN 2882754)
- Vented Windshield Kit (PN 2883266) or Hard Coat Windshield Kit (PN 2883300)

This Kit includes:



REF	QTY	PART DESCRIPTION	PART NUMBER
1	1	Bracket	-
2	1	Bumper - 0.5 inch OD (13 mm)	-
3	1	Spacer - 0.28 ID X 0.50 OD	-
4	1	Spacer - 0.72 ID X 1.00 OD	-

REF	QTY	PART DESCRIPTION	PART NUMBER
5	1	Seal, Bulb - 0.375 X 6 inch length (9.5 X 150 mm)	-
	1	Instructions	9929091

## TOOLS REQUIRED

- Safety Glasses
- Deburring Tool
- Drill
- Hole Saw: 0.5 inch (13 mm), 1.0 inch (25 mm)

## IMPORTANT

Your Windshield Wiper Service Kit is exclusively designed for your vehicle. Please read the installation instructions thoroughly before beginning. Installation is easier if the vehicle is clean and free of debris. For your safety, and to ensure a satisfactory installation, perform all installation steps correctly in the sequence shown.

## ASSEMBLY TIME

Approximately 5–20 minutes

### NOTE

Time dependent on specific windshield configuration and accommodation of other accessories.

## INSTALLATION INSTRUCTIONS

### IMPORTANT

This service kit is **ONLY** used for installing Windshield Wiper Kit (PN 2882754, sold separately) to either Vented Windshield Kit (PN 2883266) or Hard Coat Windshield Kit (PN 2883300).

1. Shift vehicle transmission into “PARK”. Turn ignition switch to “OFF” position and remove key.
2. Drill holes for Windshield Wiper Kit (PN 2882754, sold separately).

### NOTE

Some vented and hard coat windshields were manufactured without two holes to allow passage of wiper motor shaft and spray nozzle. This step provides hole installation detail. If these holes are already present then proceed to Step 3.

- a. Detach template page located at end of this instruction.

- b. Locate REFERENCE DIMENSION on template page.
- c. Verify template was printed to proper scale by using ruler to verify REFERENCE DIMENSION is exactly 5 inches.

### IMPORTANT

If your measurement is not exactly 5 inches, then reprint template page from electronic file using print setting “**Actual Size**” (not “Fit”) to obtain 1:1 scale. Electronic file available from your **Authorized Polaris Dealer**.

- d. Carefully cut out template.
- e. On EXTERIOR (forward) surface of windshield, along UPPER edge of windshield, roll seal upwards to expose top edge of windshield. Locate and mark left-to-right centerpoint of windshield along this top edge.

### IMPORTANT

Do NOT attempt to pull seal away from interior (rear) surface of windshield. Seal is bonded to windshield on interior surface.

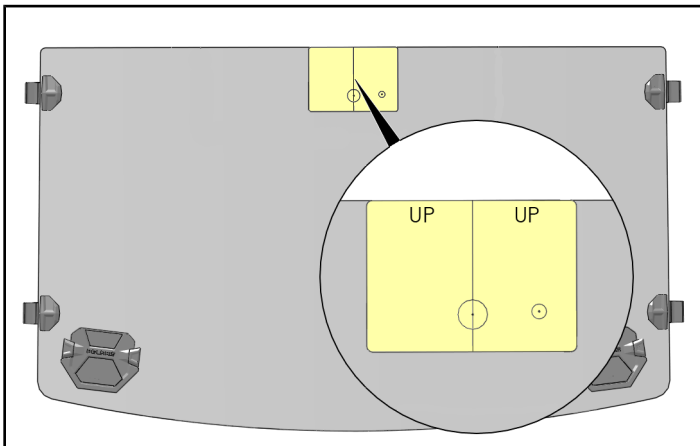
### CAUTION

Seal MUST be rolled up to expose top edge of windshield. Failure to properly position template will result in improper location of windshield wiper assembly.

- f. On EXTERIOR (forward) surface of windshield, roll seal upwards to expose top edge of windshield. Properly orient template (UP), then secure template to windshield as follows:
- CENTER OF TEMPLATE (vertical dashed line) should be aligned with CENTER OF WINDSHIELD (marked in previous step)
  - TOP EDGE OF TEMPLATE should be aligned with TOP EDGE OF WINDSHIELD

### NOTE

Windshield seal hidden for clarity.



- g. Mark and drill two holes through windshield at marked locations:
- 1.0 inch (25 mm) at centerline of windshield (wiper motor shaft)
  - 0.5 inch (13 mm) on driver side of windshield (spray nozzle)

Debur holes as required.

3. Install support bracket for Windshield Wiper Kit (PN 2882754, sold separately).

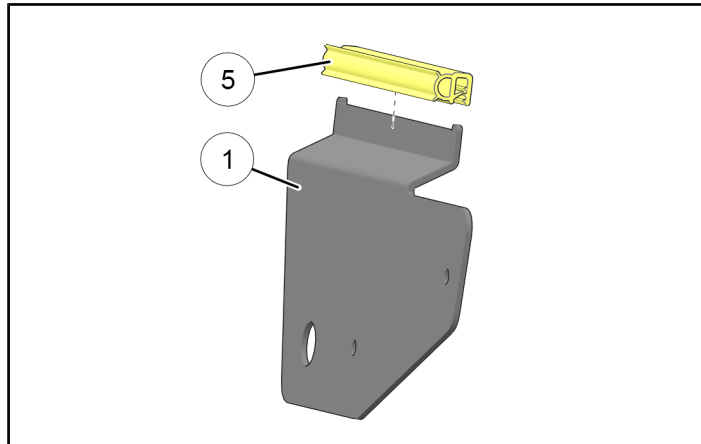
### NOTE

Bracket provides additional support for wiper motor assembly.

- a. Install bulb seal ⑤ to top edge of bracket ① as shown. Ensure bulb faces forward.

### NOTE

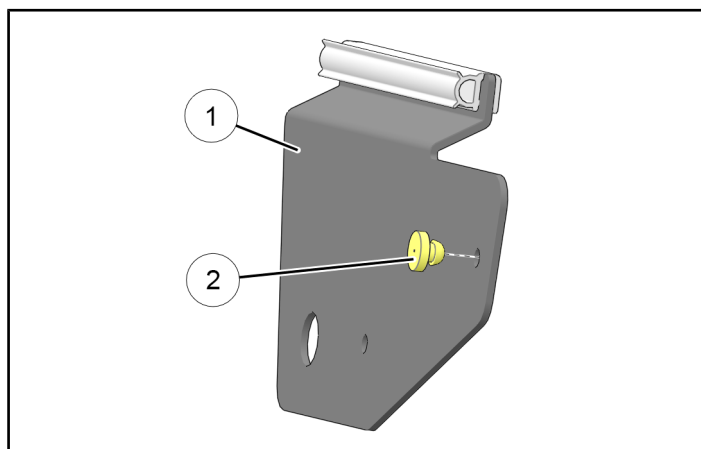
Bulb seal will make contact with ROPS visor when installed.



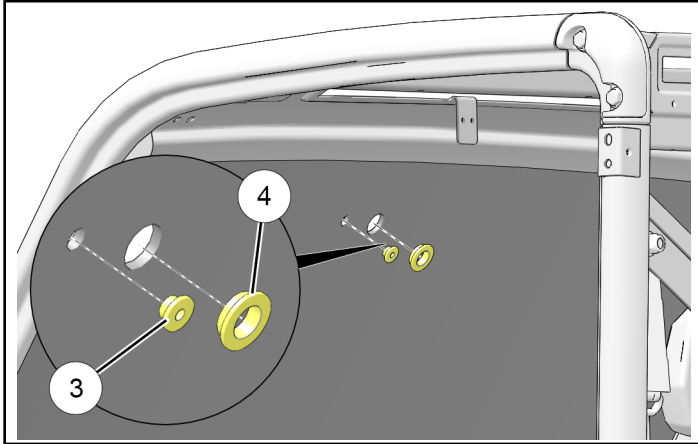
- b. Install bumper ② to front side of bracket ① as shown.

### NOTE

Bumper will make contact with windshield panel when installed.



- c. Insert large spacer ④ and small spacer ③ forward through interior (rear) surface of windshield.

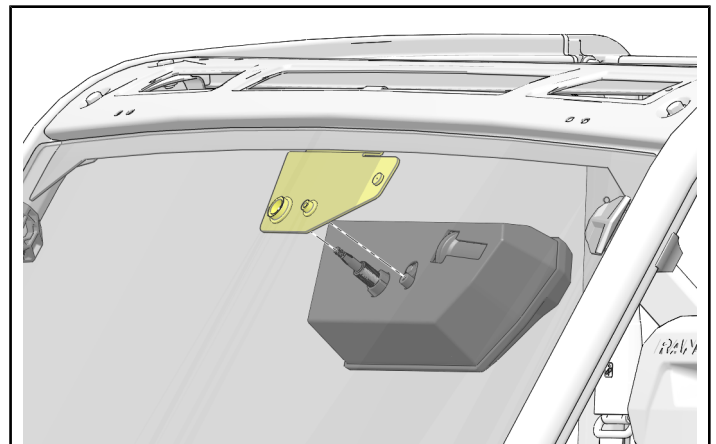
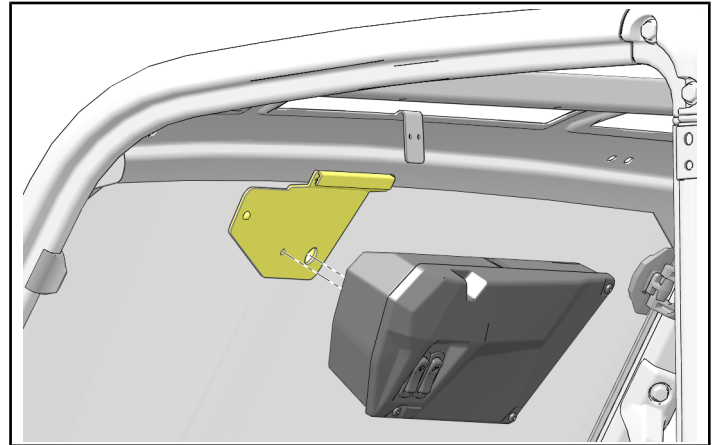


- d. Continue with windshield wiper installation per instructions included with Windshield Wiper Kit.

#### NOTE

Bracket is not secured to ROPS visor. Bracket is sandwiched between windshield panel and wiper motor assembly, with upper flange of bracket (bulb seal) pressed against interior lower edge of ROPS visor.

Windshield panel shown transparent for clarity.



## FEEDBACK FORM

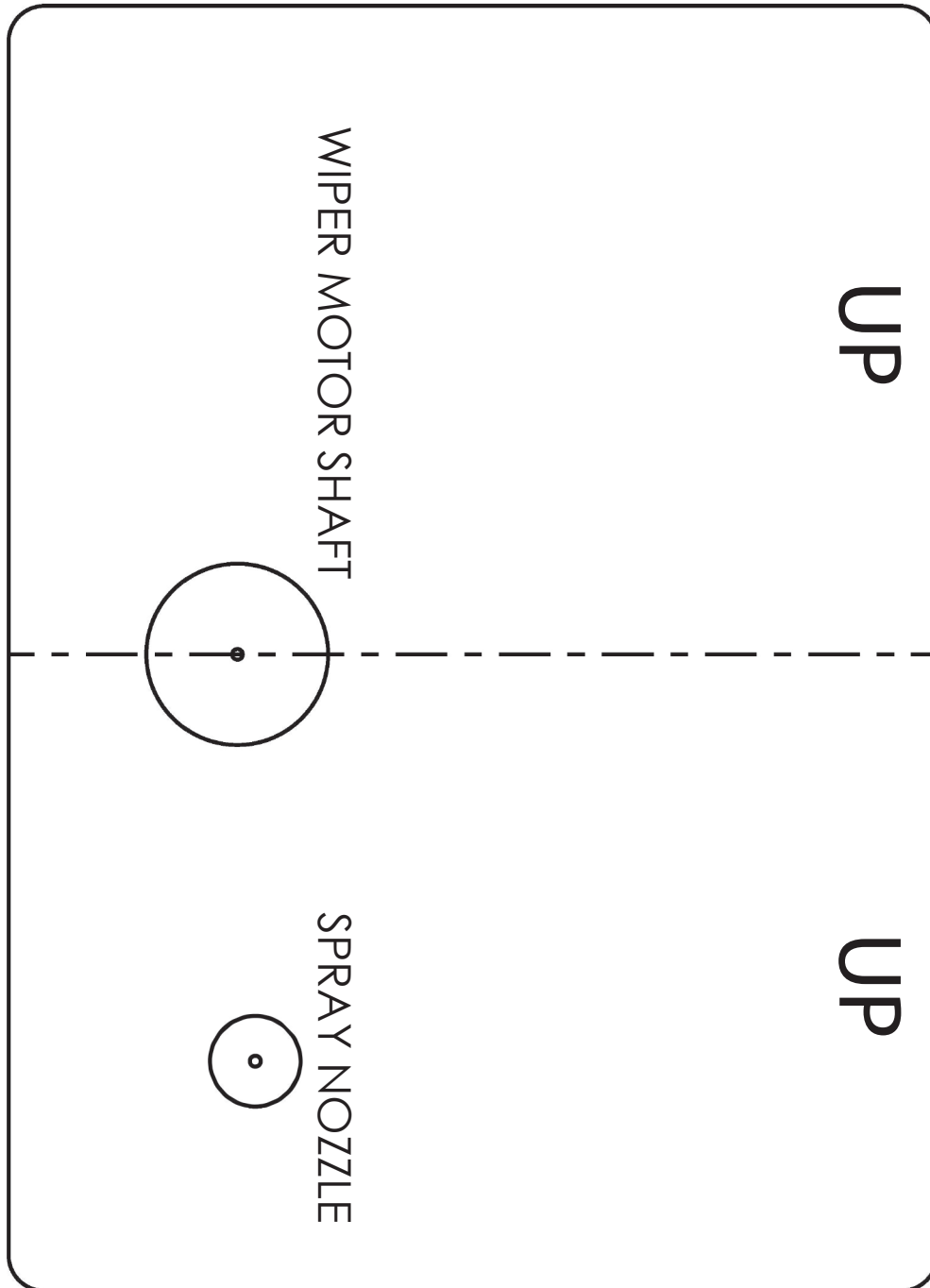
A feedback form has been created for the installer to provide any comments, questions or concerns about the installation instructions. The form is viewable on mobile devices by scanning the QR code or by clicking [HERE](#) if viewing on a PC.

#### FEEDBACK FORM





REFERENCE DIMENSION



**THIS PAGE INTENTIONALLY BLANK; TEMPLATE ON PREVIOUS PAGE**