

ACCESSORY POWER EXTENSION KIT



P/N 2883231

APPLICATION

Verify accessory fitment at Polaris.com.

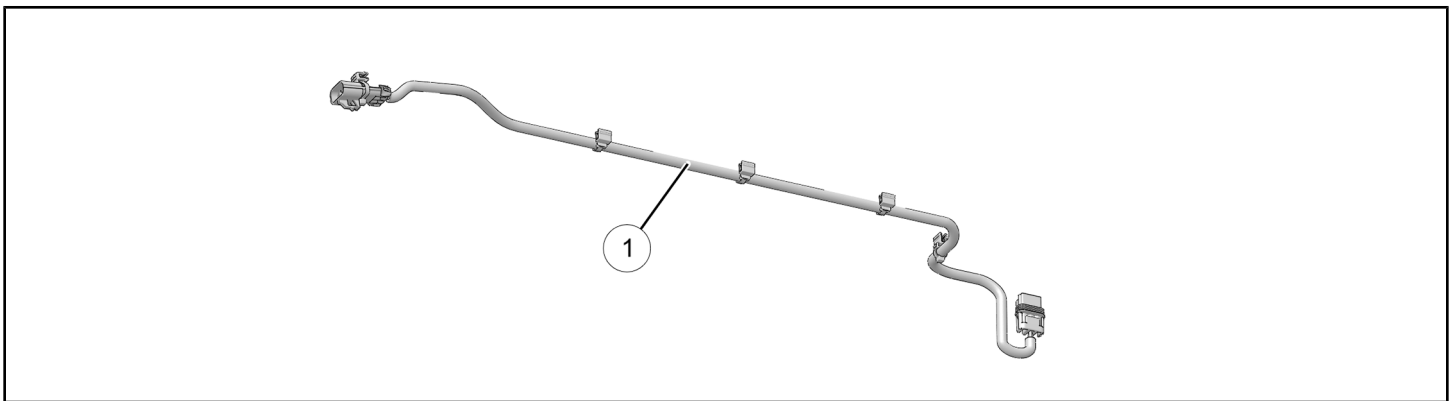
BEFORE YOU BEGIN

Read these instructions and check to be sure all parts and tools are accounted for. Please retain these installation instructions for future reference and parts ordering information.

KIT CONTENTS

This kit contains parts for installation of the accessory power extension harness only. Prior installation of the Polaris Pulse™ Roof 6 Kit, PN 2882904, is also required (sold separately).

This Kit includes:



| REF | QTY | PART DESCRIPTION | PART NUMBER |
|-----|-----|--|-------------|
| 1 | 1 | Harness, Accessory Power Extension, Crew | - |
| | 1 | Instructions | 9928799 |

TOOLS REQUIRED

- Safety Glasses

IMPORTANT

Your Accessory Power Extension Kit is exclusively designed for your vehicle. Please read the installation instructions thoroughly before beginning. Installation is easier if the vehicle is clean and free of debris. For your safety, and to ensure a satisfactory installation, perform all installation steps correctly in the sequence shown.

ASSEMBLY TIME

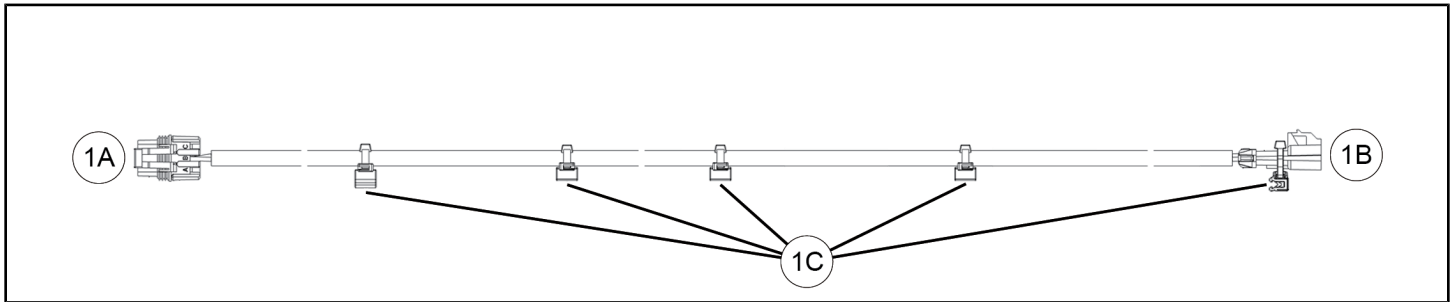
Approximately 5 minutes

NOTE

Additional time may be required to accommodate other accessories.

HARNESS DETAIL

EXTENSION HARNESS ①:



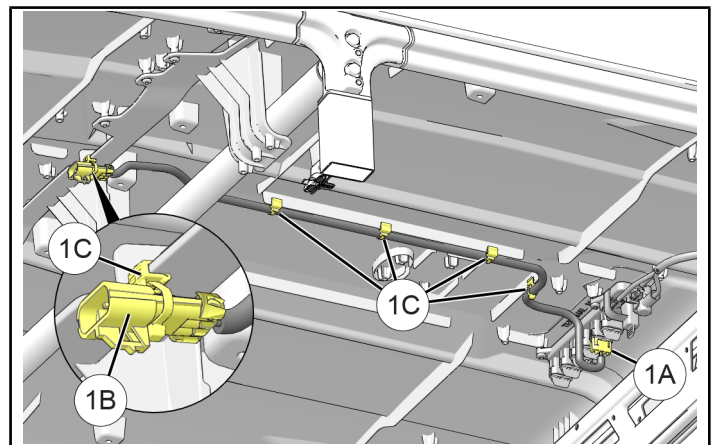
| REF | PART DESCRIPTION | WIRE COLOR | PIN QTY/ GENDER | CONNECTS TO |
|-----|---------------------------------|------------|--------------------|--|
| 1A | Connector, Terminal Block, Roof | - | 3 female | Polaris Pulse™ Roof 6 Kit PN 2882904 (sold separately) |
| 1B | Connector, Accessory | - | 3 male | Accessory kit (sold separately) |
| 1C | Clip, Edge | - | - | Vehicle structure |

INSTALLATION INSTRUCTIONS

1. Shift vehicle transmission into “PARK”. Turn ignition switch to “OFF” position and remove key.
2. Remove front and rear roof liners (if installed).
3. Join connector 1B to accessory (purchased separately), then secure connector to forward edge of rear roof panel using edge clip 1C.

NOTE

See previous section, **HARNESS DETAIL**, for connector identification.



4. Open power cap on vehicle terminal block at any open location, then plug in connector 1A.
5. Secure harness to ribs on rear roof panel using four edge clips 1C.
6. Reinstall roof liners (if removed).

FEEDBACK FORM

A feedback form has been created for the installer to provide any comments, questions or concerns about the installation instructions. The form is viewable on mobile devices by scanning the QR code or by clicking [HERE](#) if viewing on a PC.

FEEDBACK FORM

