

HALF DOOR KIT



P/N 2882559; 2889814

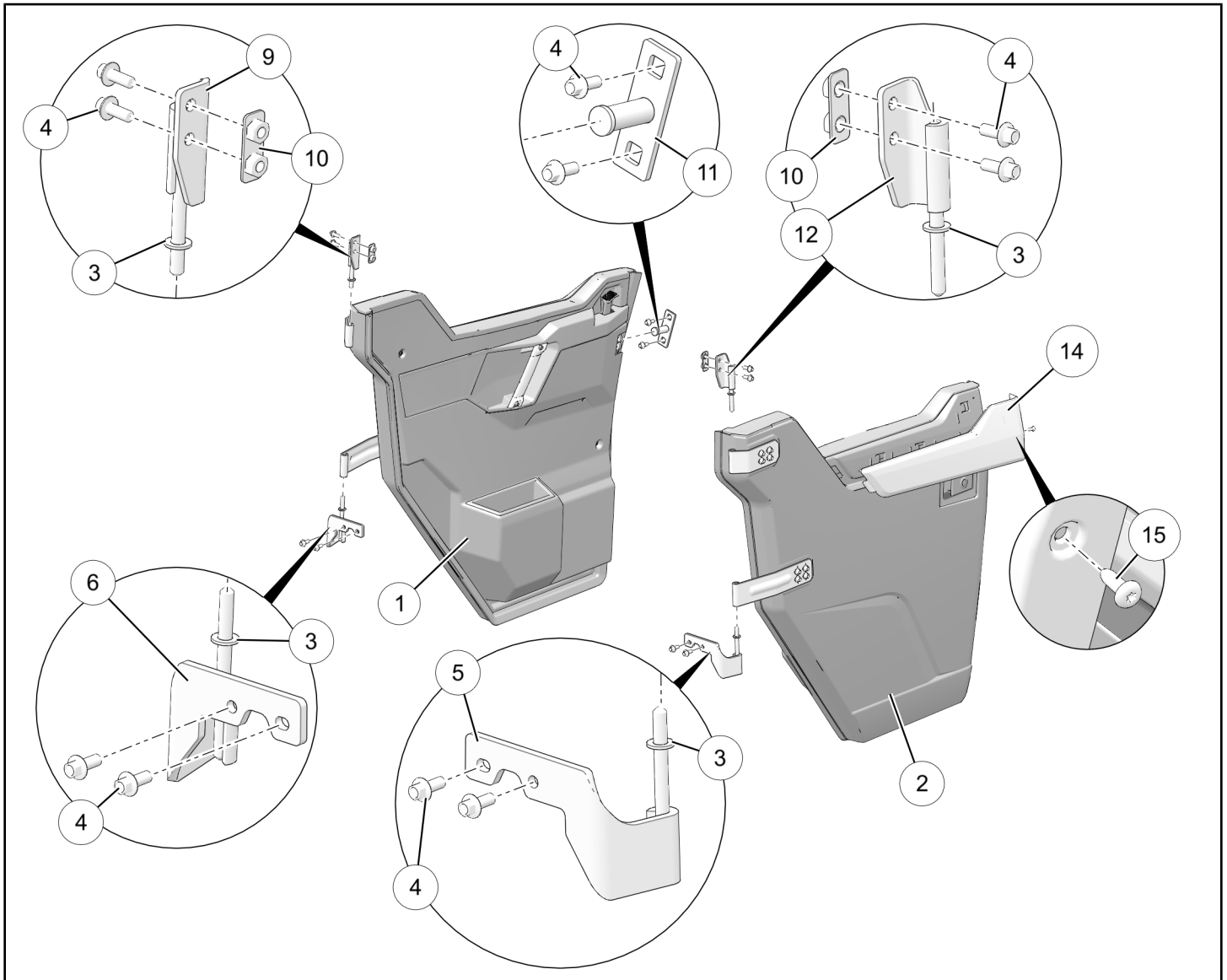
BEFORE YOU BEGIN

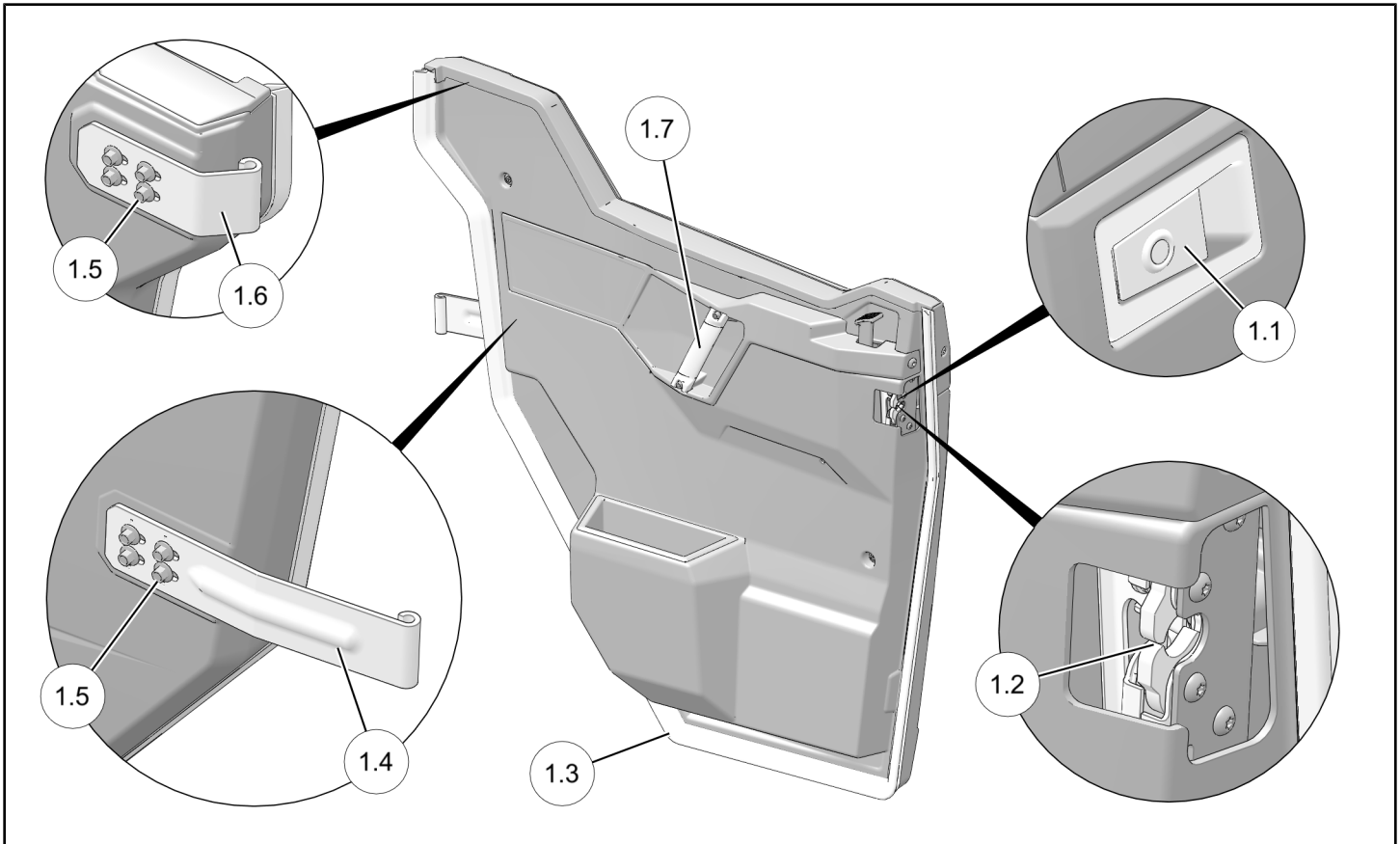
Read these instructions and check to be sure all parts and tools are accounted for. Please retain these installation instructions for future reference and parts ordering information.

APPLICATION

Verify accessory fitment at [Polaris.com](https://www.polaris.com).

KIT CONTENTS





REF	QTY	PART DESCRIPTION	PART NUMBER	INCLUDED IN SERVICE KIT
1	1	Door Assembly, LH (includes items 1.1 through 1.7 below)	2637341	n/a
1.1	1	- Latch Assembly, Exterior	n/a	2207716*
1.2	1	- Latch Assembly, Interior, LH	n/a	2207923
1.3	1	- Seal, Door, Perimeter	5510925	n/a
1.4	1	- Hinge, Door-Side, Lower	n/a	2207760
1.5	8	- Screw, Hex Flange - M8 X 1.25 X 20, 8.8	7519936	n/a
1.6	1	- Hinge, Door-Side, Upper	n/a	2207760
1.7	1	- Handle, Grab, LH	n/a	2207714
2	1	Door Assembly, RH (includes items 2.2, 2.7; all other parts same as those identified in 1.x above)	2637342	n/a
2.2	1	- Latch Assembly, Interior, RH (not shown)	n/a	2207923
2.7	1	- Handle, Grab, RH (not shown)	n/a	2207714
3	4	Washer, Nylon - 10.25 X 19.0 X 2.0	5439712	2207759
4	12	Screw, Hex Flange - M8 X 1.25 X 20, 8.8	7519936	2207759 (qty 8)
5	1	Hinge, Chassis-Side, Lower RH	n/a	2207759
6	1	Hinge, Chassis-Side, Lower LH	n/a	2207759
7	-	(unused)	n/a	n/a-

REF	QTY	PART DESCRIPTION	PART NUMBER	INCLUDED IN SERVICE KIT
8	-	(unused)	n/a	n/a
9	1	Hinge, Chassis-Side, Upper LH	n/a	2207759
10	2	Nut Plate, Upper Chassis-Side Hinge	n/a	2207759
11	2	Striker	n/a	2207717*
12	1	Hinge, Chassis-Side, Upper RH	n/a	2207759
13	1	Panel, Accent, LH (not shown)	5453999-070	n/a
14	1	Panel, Accent, RH	5454000-070	n/a
15	2	Screw, Torx® Truss Head, High/Low - #14 X 3/4	7519045	n/a

* Service kit contains parts and hardware required for ONE side of vehicle.

TOOLS REQUIRED

- Safety Glasses
- Screwdriver Set, Torx®
- Socket Set, Metric
- Socket Set, Torx® Bit
- Torque Wrench
- Wrench Set, Metric

CONSUMABLES REQUIRED

- Gloves, Chemical Resistant
- Grease, Polaris All Season (or equivalent)

IMPORTANT

Your Half Door Kit is exclusively designed for your vehicle. Please read the installation instructions thoroughly before beginning. Installation is easier if the vehicle is clean and free of debris. For your safety, and to ensure a satisfactory installation, perform all installation steps correctly in the sequence shown.

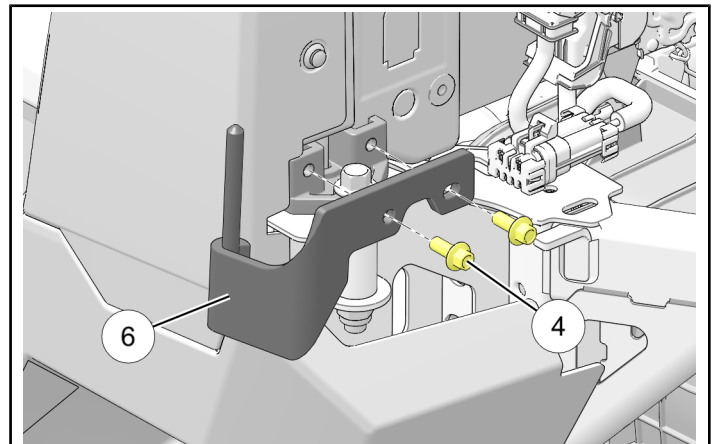
INSTALLATION INSTRUCTIONS

NOTE

Polaris recommends two people install this kit.

1. Shift vehicle transmission into "PARK". Turn ignition switch to "OFF" position and remove key.
2. Raise vehicle bed.

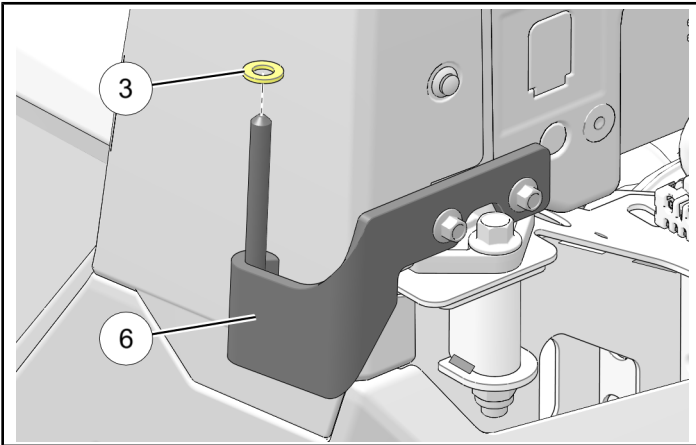
3. Install lower LH chassis-side hinge ⑥ using two screws ④. Tighten screws.



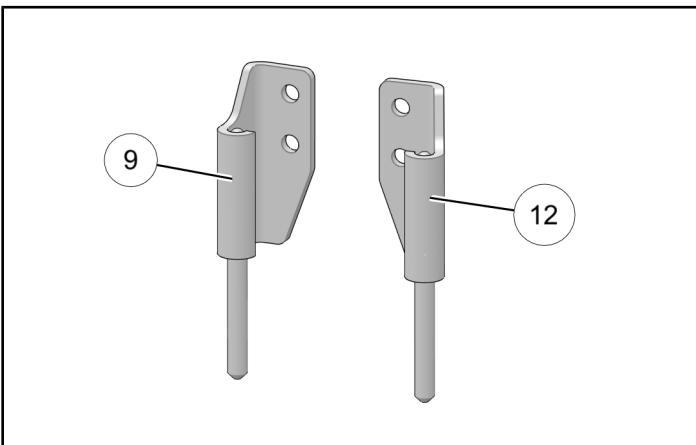
4. Install nylon washer ③ on hinge ⑥.

NOTE

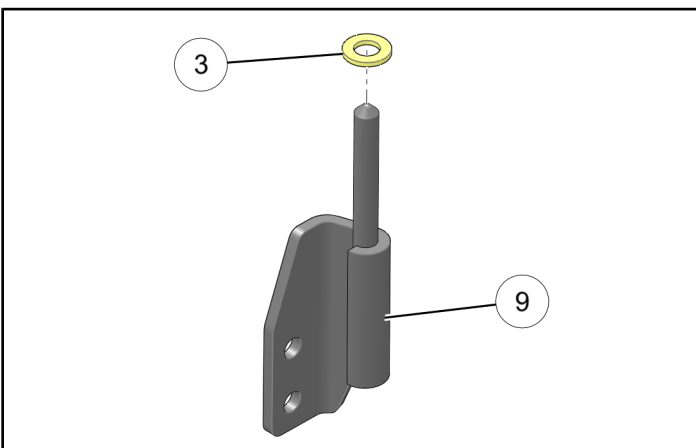
Washer acts as bearing surface to assist in smooth door operation.



5. Identify LH upper chassis-side hinge ⑨. Notice differences from RH upper chassis-side hinge ⑫.



6. Install nylon washer ③ on upper LH chassis-side hinge ⑨.



WARNING

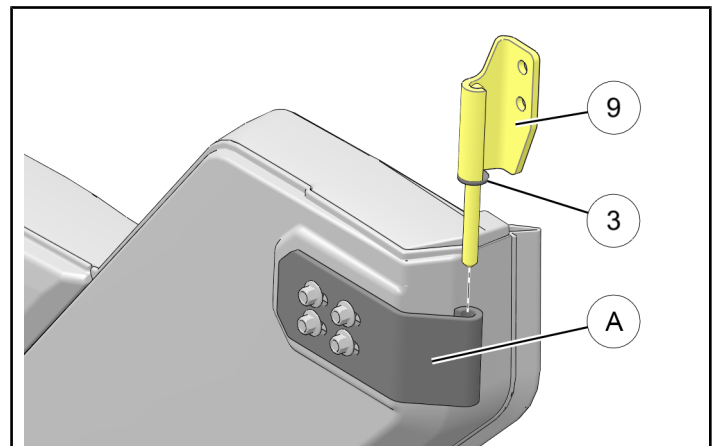
Follow all chemical manufacturer instructions and safety precautions. Failure to follow all manufacturer instructions and precautions may result in severe injury or death.

7. Grease pins on lower hinge ⑥ and upper hinge ⑨ using Polaris All Season Grease (or equivalent).

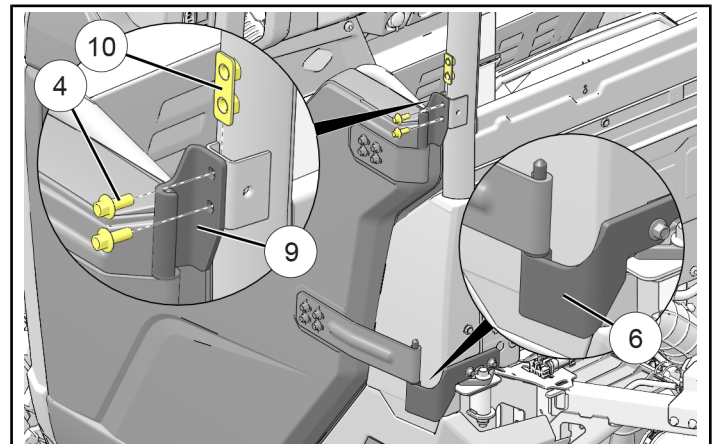
8. Install upper LH chassis-side hinge ⑨ into upper door-side hinge ①.

NOTE

Ensure nylon washer ③ does not fall off pin.



9. Install LH door assembly ① to vehicle by first inserting door onto lower chassis-side hinge ⑥, then install upper chassis-side hinge ⑨ to ROPS bracket using two screws ④ and nut plate ⑩. Tighten screws.

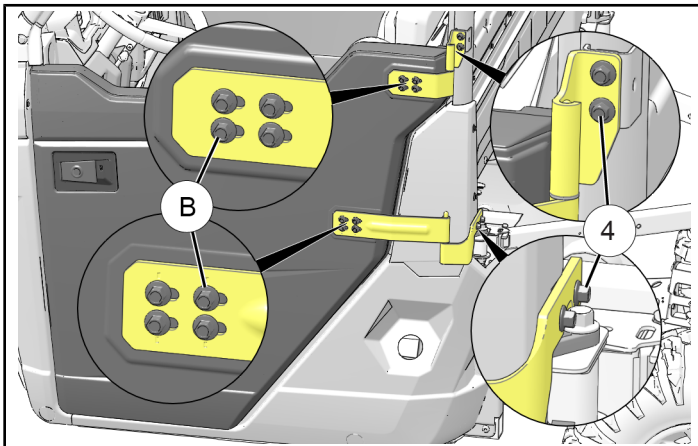


10. Slightly loosen all eight DOOR-SIDE hinge screws (B), then close door. Push door inwards while centering door in ROPS/chassis opening, then tighten screws.

If door cannot be centered, loosen two upper and/or two lower CHASSIS-SIDE screws (4), center door, then retighten all screws. If necessary, upper and/or lower nylon washers (3) may also be removed.

TIP

Have one person push and center the door, and a second person tighten the screws.

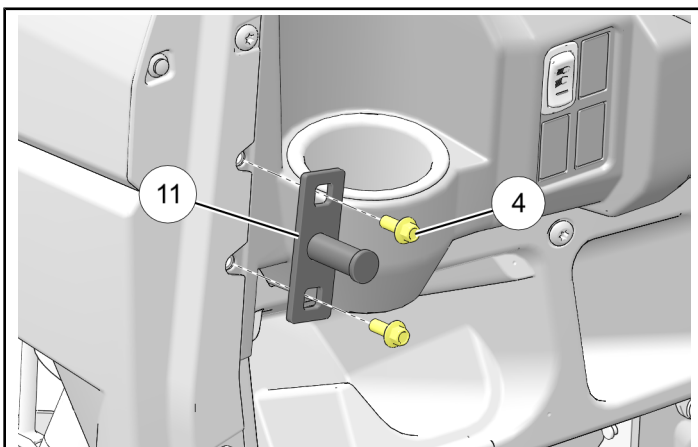


11. Torque all four chassis-side hinge screws (4) and all eight door-side hinge screws (B) to specification.

TORQUE

17 ft. lbs. (23 Nm) ± 10%

12. Install striker (11) to door frame using two screws (4). Position striker in middle of square fastener openings, then tighten fasteners.

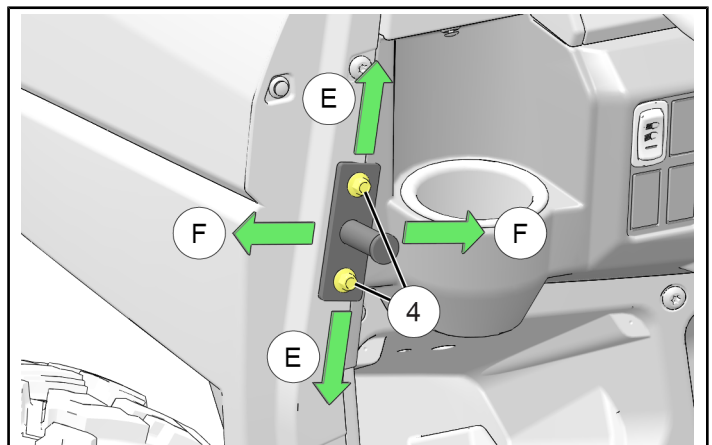
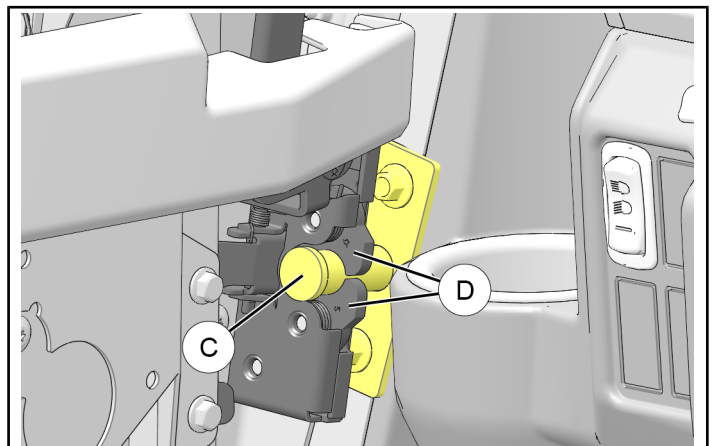


13. Open door latch (to properly position pawls), then slowly close door and observe engagement of striker pin (C) into door latch (D).

Adjust striker (11) to achieve the following:

- a. **HEIGHT (E):** Pin (C) should be centered vertically between upper and lower latch pawls (D). To adjust, loosen two screws (4), slide striker up or down as required, then retighten screws.
- b. **DEPTH (F):** As required to achieve desired seal compression and door fairing. To adjust, loosen two screws (4), slide striker inboard or outboard as required, then retighten screws.

Ensure depth adjustment is made with latch pawls (D) at FULL closure as shown below (second "click"), not at partial closure (first "click").



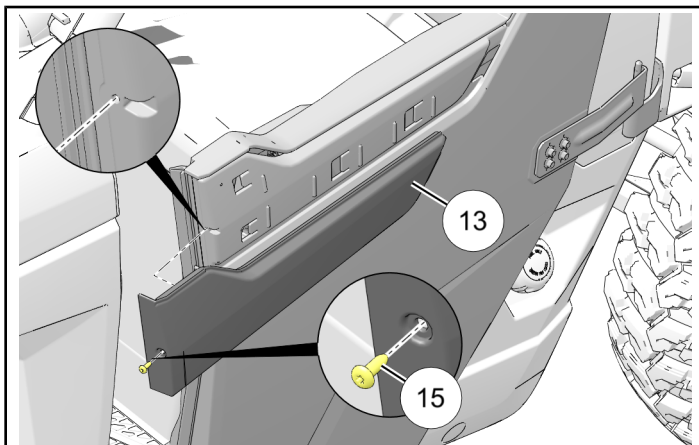
14. Torque striker screws (4) to specification.

TORQUE

17 ft. lbs. (23 Nm) ± 10%

15. Install LH accent panel ⑬ to door, engaging tabs in door with receptacles in panel, then secure using screw ⑮. Torque to specification.

TORQUE
18 in. lbs. (2.0 Nm) ± 20%



16. Repeat Steps 3–15 for RH door assembly ②, using upper RH chassis-side hinge ⑫, lower RH chassis-side hinge ⑤, and RH accent panel ⑭.

17. Lower vehicle bed.

FEEDBACK FORM

A feedback form has been created for the installer to provide any comments, questions or concerns about the installation instructions. The form is viewable on mobile devices by scanning the QR code or by clicking [HERE](#) if viewing on a PC.

