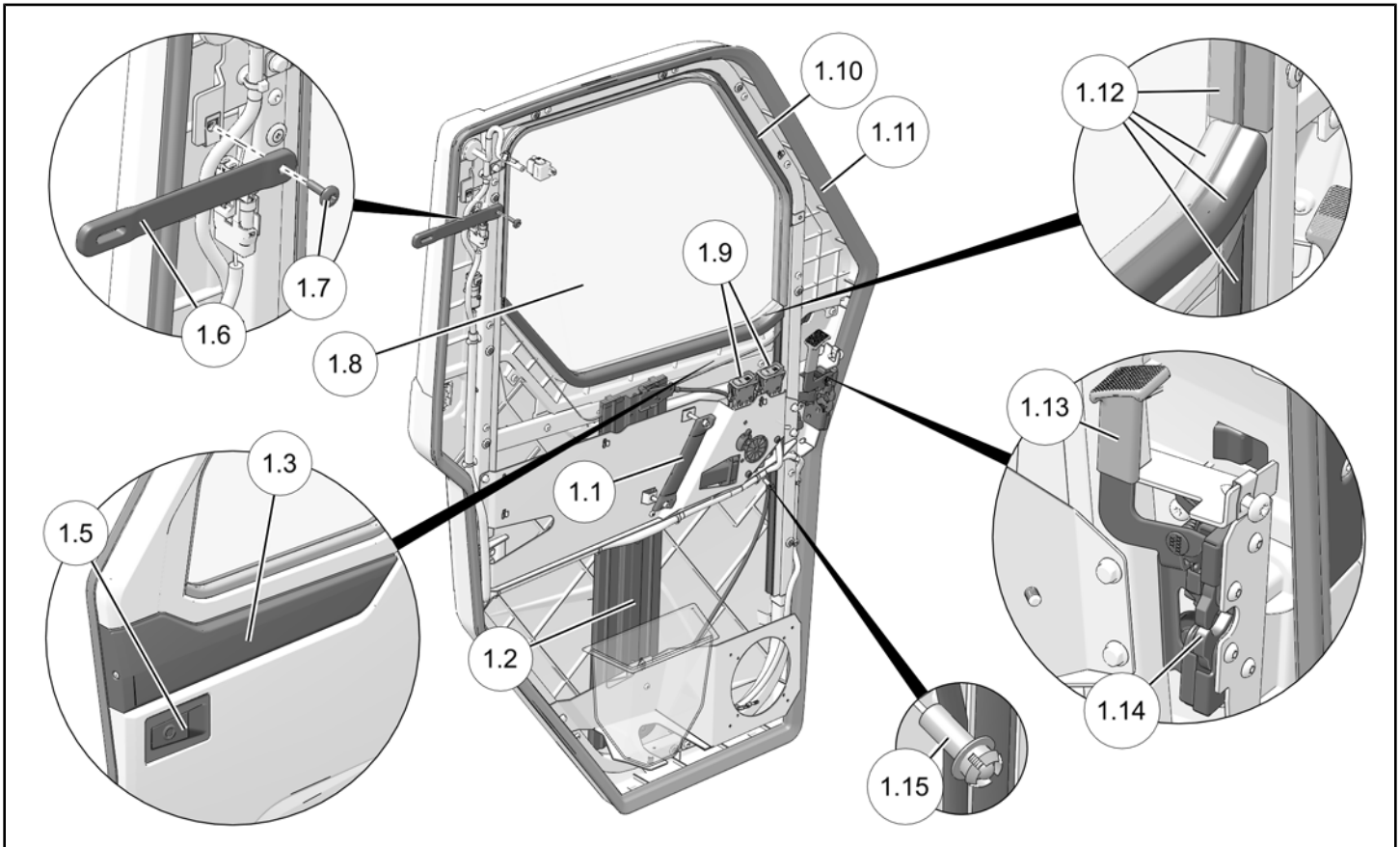


NOTICE

LH door shown (from Kit PN 2882562); other LH and RH doors similar except as noted below.
Interior door panels hidden for clarity.



REF	QTY	PART DESCRIPTION	PART NUMBER	INCLUDED IN SERVICE KIT
1	1	Door Assembly, LH (includes items 1.1 through 1.16 except as noted below)	n/a	n/a
1.1	1	- Handle, Grab, LH	n/a	2207714**
1.2	1	- Regulator Assembly, LH (2882562, 2884338 only) (not shown)	n/a	2207756*
	1	- Regulator Assembly, LH (2882561, 2884275 only) (not shown)		2207710*
1.3	1	- Panel, Accent, LH (2884275-133; 2884275-453 only)	5453999-133	n/a
	1		5453999-453	
1.5	1	- Latch Assembly, Exterior (2282561, 2882562, 2884338 only)	n/a	2207716*
	1	- Latch Assembly, Exterior (2884275 only)	7082545	-
1.6	1	- Strap, Limiter	n/a	2205280**
1.7	1	- Screw, Torx® Truss Head - M6 X 1.0 X 25	7519650	
1.8	1	- Glass	n/a	2207713*
1.9	1-2	- Switch (2882562, 2884338 only)	n/a	2207758*
1.10	1	- Seal, Glass Upper	n/a	2207718*

REF	QTY	PART DESCRIPTION	PART NUMBER	INCLUDED IN SERVICE KIT
1.11	1	- Seal, Door, Full Perimeter	n/a	
1.12	-	- Kit, Glass Seal (contains one each as shown)	n/a	2883782
1.13	1	- Handle, Latch	n/a	2207715**
1.14	1	- Latch Assembly, Interior, LH	n/a	
1.15	1	- LED, Blue (2882562, 2884338 only)	n/a	2207758*
1.16	1	- Crank, Window (2882561, 2884275 only) (not shown)	n/a	2207712**
2	1	Door Assembly, RH (includes items 2.1 through 2.3, 2.14; all other parts same as those identified in 1.x above)	n/a	n/a
2.1	1	- Handle, Grab, RH (not shown)	n/a	2207714**
2.2	1	- Regulator Assembly, RH (2882562, 2884338 only) (not shown)	n/a	2207757*
	1	- Regulator Assembly, LH (2882561, 2884275 only) (not shown)		2207711*
2.3	1	- Panel, Accent, RH (2884275-133; 2884275-453 only) (not shown)	5454000-133	-
	1		5454000-453	-
2.14	1	- Latch Assembly, Interior, RH (not shown)	n/a	2207715**
3	4	Washer, Nylon - 10.25 X 19.0 X 2.0	5439712	2207709**
4	26	Screw, Hex Flange - M8 X 1.25 X 20	7519936	2207708 (qty: 8)
5	1	Hinge, Chassis-Side, Upper LH	n/a	2207709**
6	2	Nut Plate, Upper Chassis Side Hinge	5256140	n/a
7	1	Hinge, Chassis-Side, Lower LH	n/a	2207709**
8	1	Hinge, Chassis-Side, Upper RH		
9	1	Hinge, Chassis-Side, Lower RH		
10	2	Striker	n/a	2207717*
11	2	Nut, Hex Flange, Locking - M6 X 1.0	7547339	2205280**
12	2	Spacer	5139193	
13	2	Screw, Torx® Truss Head - M6 X 1.0 X 25	7519650	
14	1	Harness, Door Crossover (2882562, 2884338 only) (not shown)	4017096	n/a
15	1	Panel, Door Accent, LH (2882561, 2882562, 2884338, 2889624 only) (not shown)	5453999-070	n/a
16	1	Panel, Door Accent, RH (2882561, 2882562, 2884338, 2889624 only)	5454000-070	n/a
17	2	Screw, Torx® Truss Head, #14 X 3/4 (2882561, 2882562, 2884338 only)	7519045	n/a
18	1	Push Dart (2882562, 2884338 only) (not shown)	7670088	n/a

REF	QTY	PART DESCRIPTION	PART NUMBER	INCLUDED IN SERVICE KIT
19	1	Cab Seal Kit (not shown)	2883253	n/a
20	2	Hinge, Door-Side, Lower	n/a	2207708**
21	1	Hinge, Door-Side, Upper LH	n/a	
22	1	Hinge, Door-Side, Upper RH	n/a	
23	2	Nut-Flange – M8x1.25	7547454	2207709**

* Service kit contains parts and hardware required for ONE side of vehicle.

* Service kit contains parts and hardware required for BOTH sides of vehicle.

TOOLS REQUIRED

- Safety Glasses
- Pliers, Push Pin Rivet
- Push Dart (Panel Clip) Tool
- Screwdriver Set, Torx®
- Socket Set, Metric
- Torque Wrench
- Wrench Set, Metric

CONSUMABLES REQUIRED

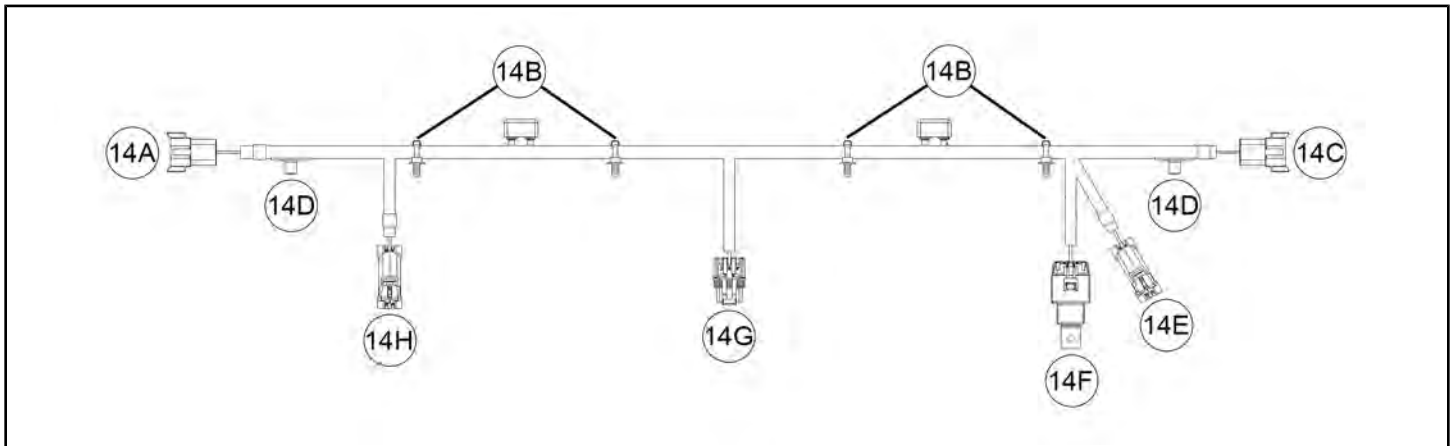
- Gloves, Chemical Resistant
- Grease, Polaris All Season (or equivalent)

IMPORTANT

Your Premium Door Kit is exclusively designed for your vehicle. Please read the installation instructions thoroughly before beginning. Installation is easier if the vehicle is clean and free of debris. For your safety, and to ensure a satisfactory installation, perform all installation steps correctly in the sequence shown.

HARNES DETAIL

DOOR CROSSOVER HARNES ⑭:



REF	PART DESCRIPTION	WIRE COLOR	PIN QTY/ GENDER	CONNECTS TO
14A	Connector, Window Crossover, LH (identified as: LH DOOR)	-	8 male	LH door assembly ①
14B	Clip, Routing	-	-	Vehicle structure
14C	Connector, Window Crossover, RH (identified as: RH DOOR)	-	8 male	RH door assembly ②
14D	Clip, Edge (Spring)	-	-	Vehicle structure
14E	Connector, Door Speaker, RH (with cap) (identified as: RH DOOR SPEAKER)	-	2 male	OPTIONAL: Door Panel Speaker Kit (PN 2882889 or equivalent)
14F	Relay	-	-	Vehicle structure
14G	Connector, Terminal Block, Accessory Roof	-	3 female	Pulse™ Roof 6 Kit, PN 2882904 (sold separately)
14H	Connector, Door Speaker, LH (with cap) (identified as: LH DOOR SPEAKER)	-	2 male	OPTIONAL: Door Panel Speaker Kit (PN 2882889 or equivalent)

INSTALLATION INSTRUCTIONS

IMPORTANT

If installing doors on a **crew** vehicle, Polaris recommends installation of Crew Rear Door Kit (PN 2883437, 2884276, 2884439, or equivalent) **PRIOR TO** installation of this Front Door Kit. Installation of **FRONT** door hinges on **crew** vehicles is different from installation on **non-crew** vehicles.

NOTICE

Polaris recommends two people assemble and install this kit.

1. Shift vehicle transmission into "PARK". Turn ignition switch to "OFF" position and remove key.

2. Install Cab Seal Kit ⑲ per instructions included with kit.
3. If installing CRANK Window Door Kit, then proceed to Step 4.

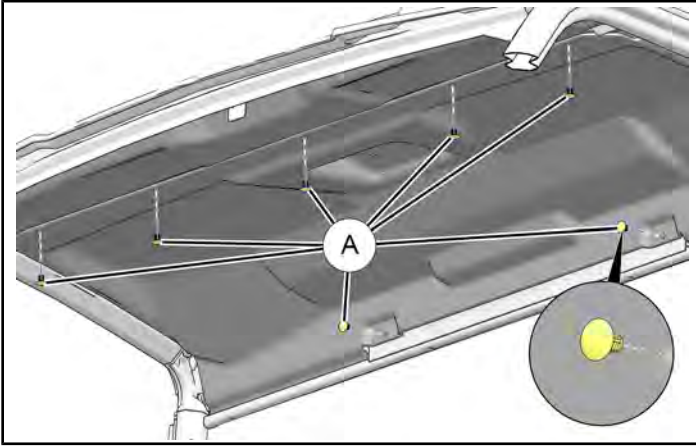
If installing POWER Window Door Kit, then remove rear roof liner (if installed) as follows:

NOTICE

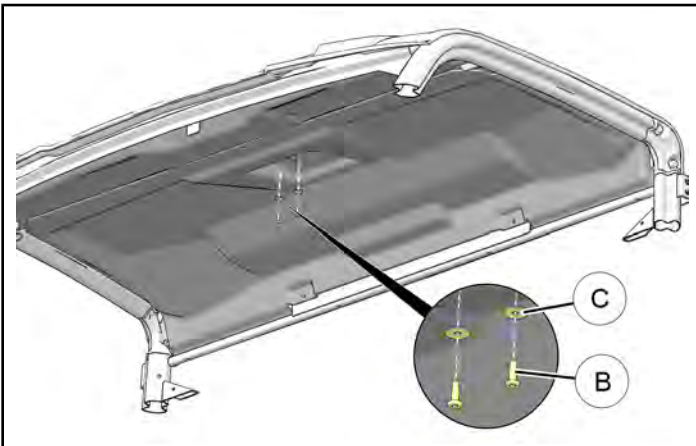
Front roof liner can remain installed.

- a. Remove rear (roof mounted) speakers, if installed.

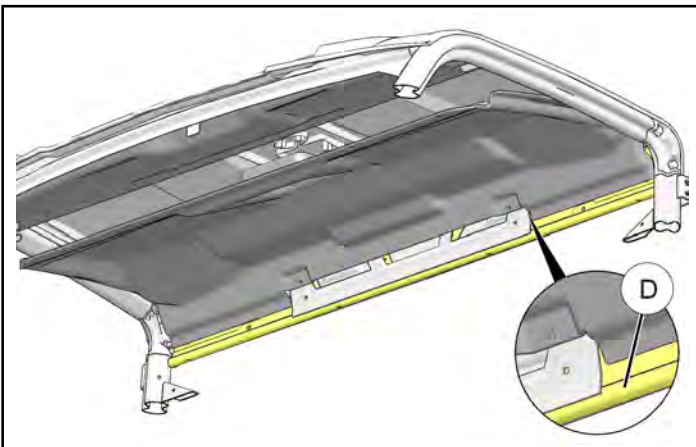
- b. Remove seven push darts (A), two from rear edge and five from front edge. Retain push darts.



- c. If overhead light is installed against liner, remove it. Otherwise, remove two each screws (B) and washers (C). Retain hardware.

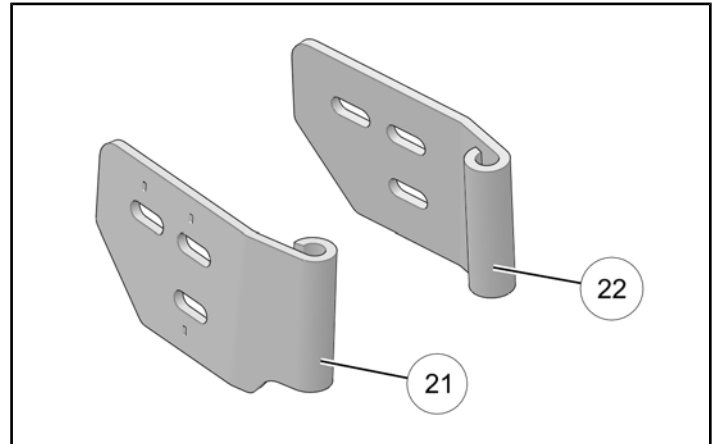


- d. Carefully pull LH and RH edges of liner from between ROPS and roof seal, then remove rear edge of liner from roof support channel (D).



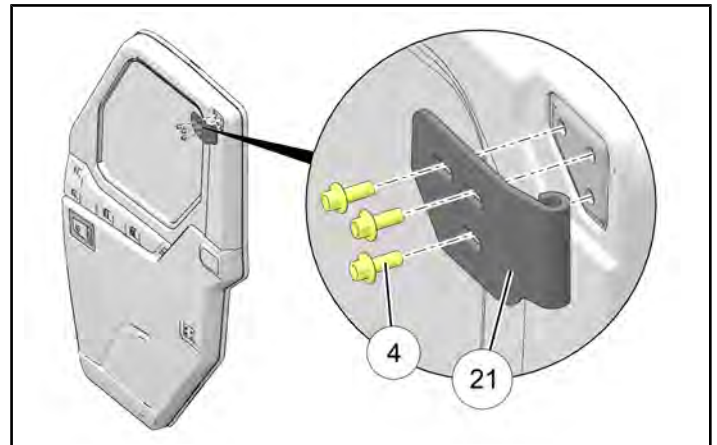
4. Install door-side hinges.

- a. Identify upper LH door-side hinge (21). Notice differences from upper RH door-side hinge (22).



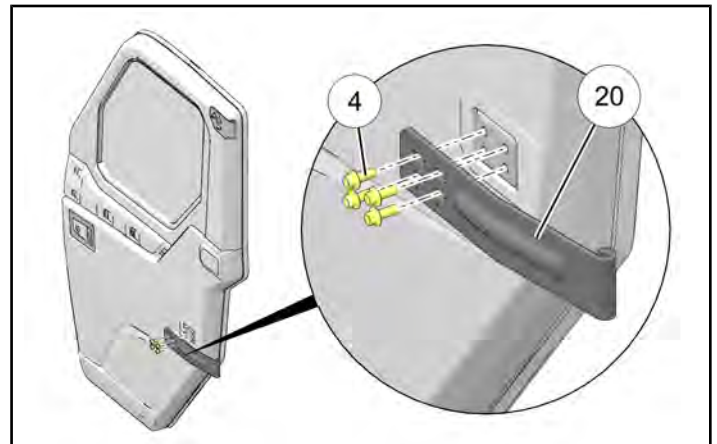
- b. Loosely install upper left door hinge (21) to left door (1) with three screws (4).

Do not torque fasteners at this time.



- c. Loosely install upper left door hinge (20) to left door (1) with three screws (4).

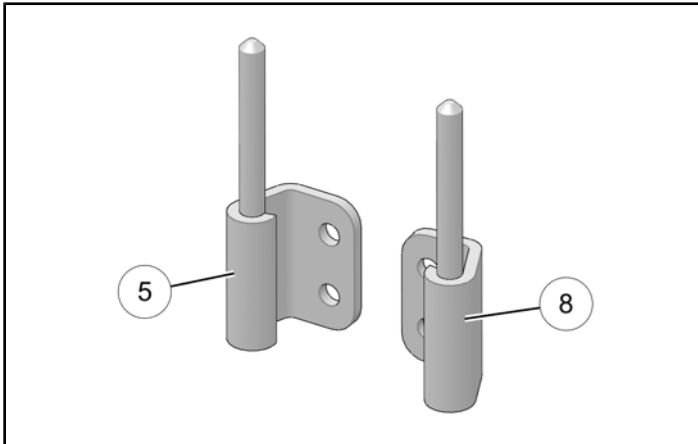
Do not torque fasteners at this time.



5. Install chassis-side hinges.

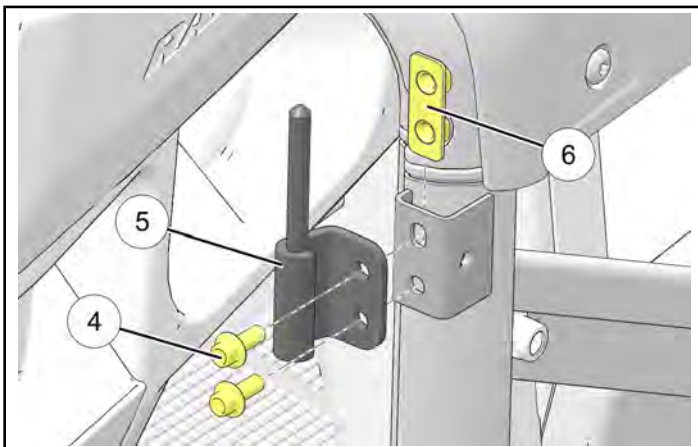
- a. Raise vehicle bed.

- b. Identify upper **LH** chassis-side hinge ⑤. Notice differences from upper **RH** chassis-side hinge ⑧.

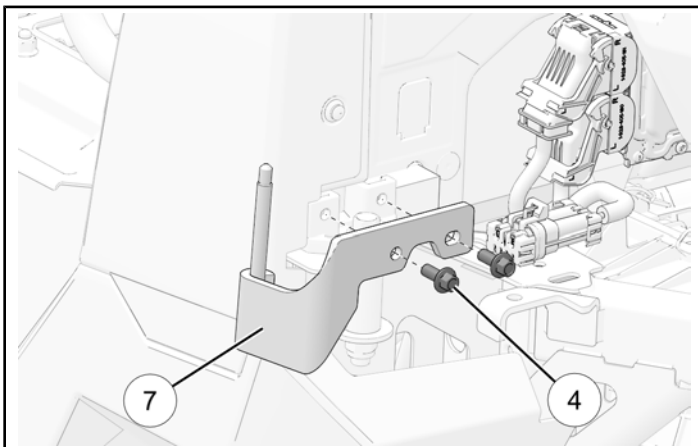


- c. Loosely install upper left chassis-side hinge ⑤ using two screws ④ and nut plate ⑥.

Do not torque fasteners at this time.

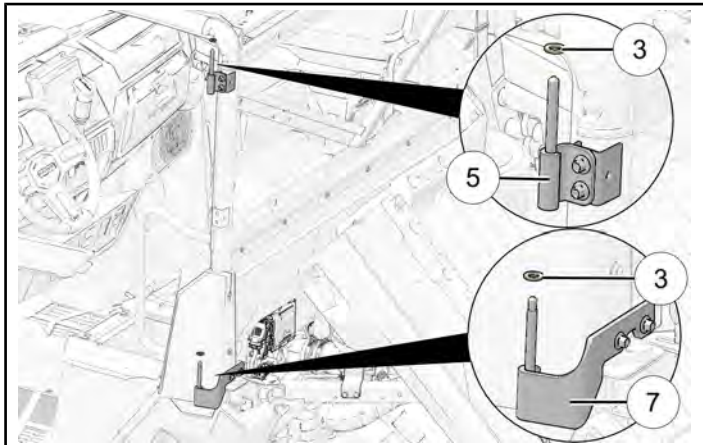


- d. Install lower LH chassis-side hinge ⑦ using two screws ④. Loosely tighten screws.



- e. Install nylon washer ③ to pins on upper and lower LH chassis-side hinges ⑤ and ⑦.

NOTICE
Washer acts as bearing surface to assist in smooth door operation.



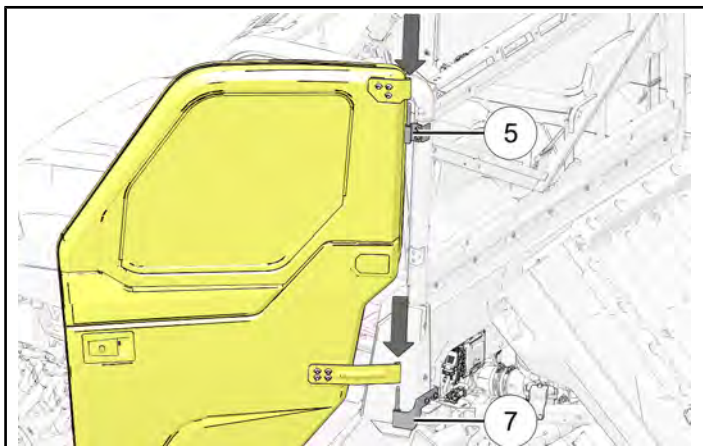
WARNING
Follow all chemical manufacturer instructions and safety precautions. Failure to follow all manufacturer instructions and precautions may result in severe injury or death.

- f. Grease pins on upper and lower chassis-side hinges ⑤ and ⑦ using Polaris All Season Grease (or equivalent).

6. Install door.

- a. Install door assembly ① on lower chassis-side hinge ⑦ first, then upper chassis-side hinge ⑤.

NOTICE
Lower hinge pin is longer than upper hinge pin to aid door installation.



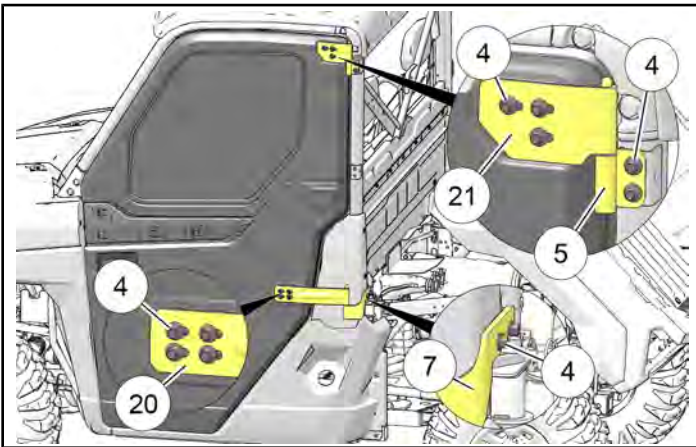
- b. Close and push door inward while centering door in ROPS/chassis opening, then loosely tighten all screws ④.

NOTICE

If necessary for height adjustment, remove one or both nylon washers ⑭.

TIP

Have one person hold and center the door, and a second person tighten the screws.



- c. Open and close door to ensure door is still centered in ROPS/chassis opening. Adjust as required.
- d. Torque all door-side and chassis-side hinge screws ④ to specification.

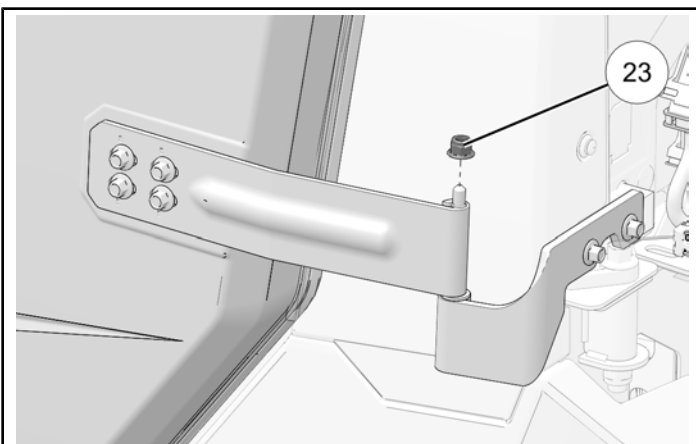
TORQUE

17 ft-lbs (23 N·m)

- e. Install the nut ⑲ on the pivot hinge. Torque to specification.

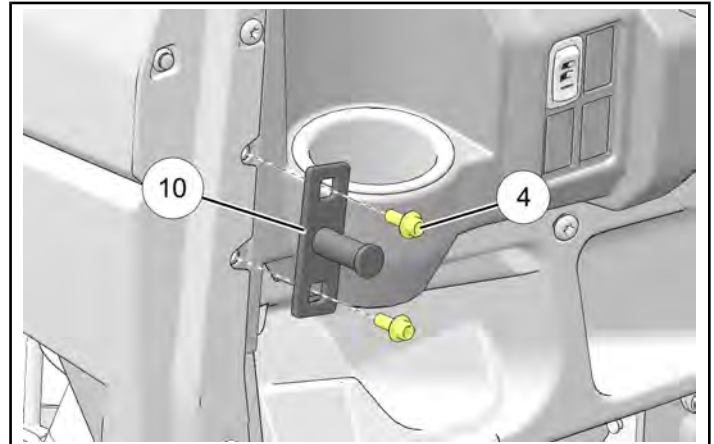
TORQUE

19 ft-lbs (26 N·m)



- f. Lower vehicle bed.

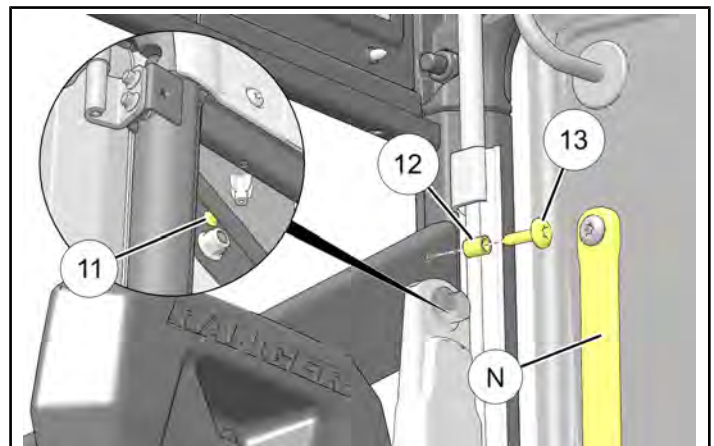
- 7. Install striker ⑩ to chassis using two screws ④. Center striker beneath screw heads, then loosely tighten screws.



- 8. Install limiter strap ① retaining post to ROPS diagonal support using screw ③, spacer ⑫, and nut ⑪. Torque to specification, then secure strap to post.

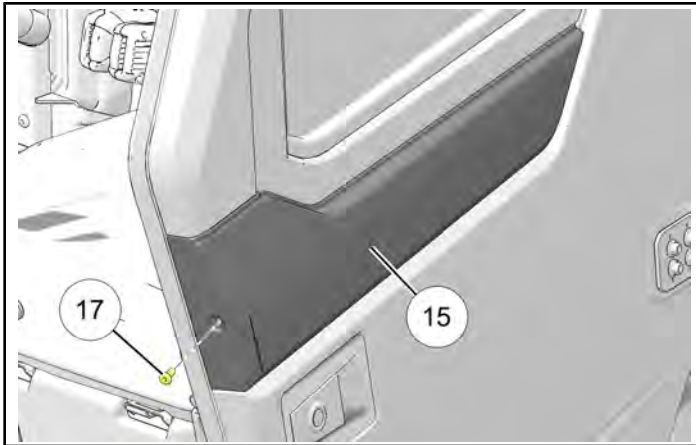
TORQUE

7 ft-lbs (9 N·m)



- If not already installed, install accent panel ⑮ to door by inserting over tabs in door. Attach with screw ⑰. Torque to specification.

TORQUE
18 in-lbs (2 N·m)



- Repeat Steps 4–9 for RH door assembly ② using hinges ⑧⑨⑳㉑, and accent panel ⑯ (if not pre-installed).

11. Lower vehicle bed.

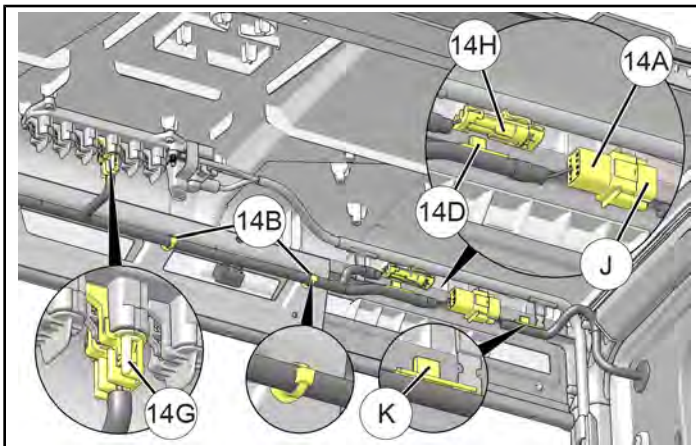
- If installing CRANK Window Door Kit, then installation is complete.

POWER WINDOW CROSSOVER HARNESS INSTALLATION

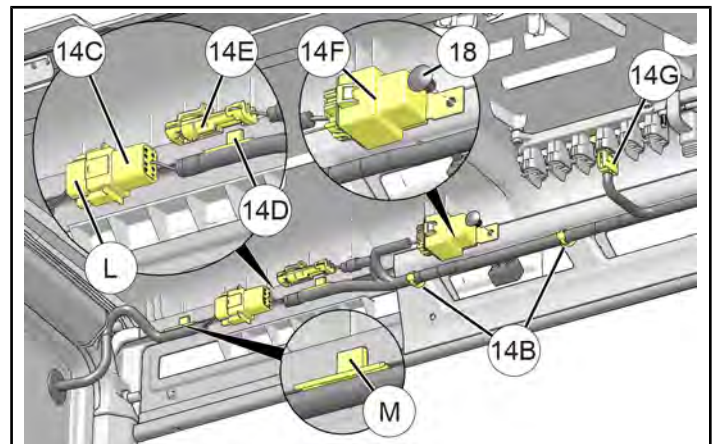
Install crossover harness ⑭ as follows:

NOTICE
See page 5 for connector identification.

- Remove cap from LH door connector ⑬, then join to LH window crossover connector 14A (identified as: **LH DOOR**).



- OPTIONAL:** If installing Door Speaker Kit (PN 2882889 or equivalent), then remove cap from connector 14H (identified as: **LH DOOR SPEAKER**) and join to LH door speaker harness.
- Open power cap on roof-mounted Pulse™ terminal block at any open location, then plug in connector 14G.
- Secure LH side of harnesses to ROPS cross-member using edge clips ⑰ and 14D, and two routing clips 14B.
- Remove cap from LH door connector ⑬, then join to RH window crossover connector 14C (identified as: **RH DOOR**).



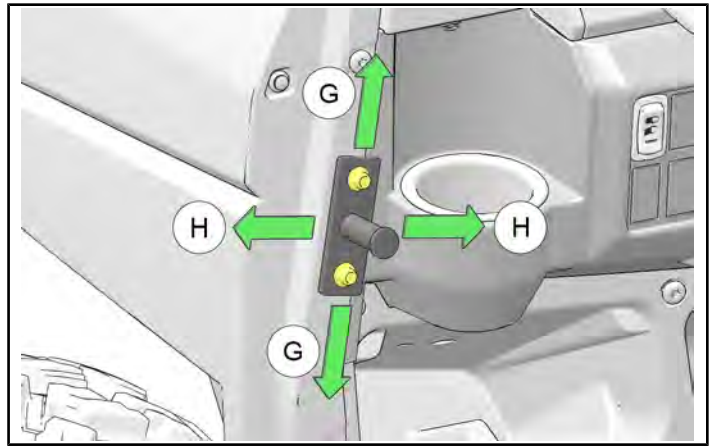
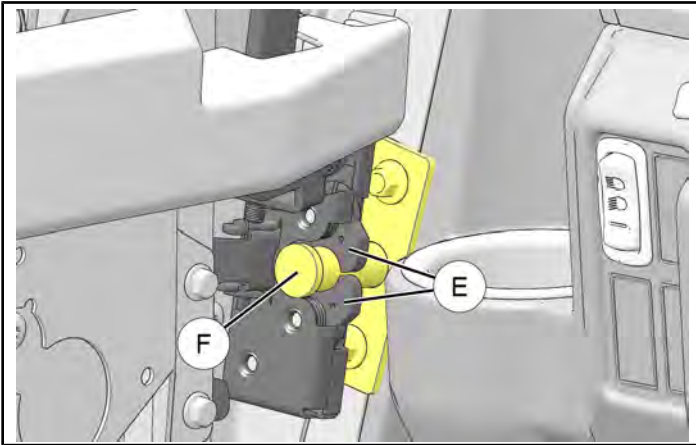
- OPTIONAL:** If installing Door Speaker Kit (PN 2882889 or equivalent), then remove cap from connector 14E (identified as: **RH DOOR SPEAKER**) and join to RH door speaker harness.
- Secure relay 14F to ROPS cross-member using push dart ⑱.
- Secure RH side of harnesses to ROPS cross-member using edge clips ⑰ and 14D, and two routing clips 14B.
- Reinstall rear roof liner (if removed).

DOOR STRIKER ADJUSTMENT

- Open door latch (to ensure upper and lower pawls ⑤ are fully opened), then slowly close door and observe striker pin ⑥ entering latch assembly. Adjust striker ⑩ to achieve the following:
 - HEIGHT ⑥:** Pin ⑥ should be centered vertically between upper and lower pawls. To adjust, loosen two screws ④, slide striker ⑩ up or down as required, then retighten screws.

- b. **DEPTH** (H): As required to achieve desired seal compression and door fairing. To adjust, loosen two screws (4), slide striker (10) inboard or outboard as required, then retighten screws.

Ensure depth adjustment is made with door at FULL closure as shown (second "click"), not at partial closure (first "click").



2. Torque striker screws (4) to specification.

TORQUE
17 ft-lbs (23 N·m)

FEEDBACK FORM

A feedback form has been created for the installer to provide any comments, questions or concerns about the installation instructions. The form is viewable on mobile devices by scanning the QR code or by clicking [HERE](#) if viewing on a PC.

