

ROOF KIT



P/N 2883274, 2883277

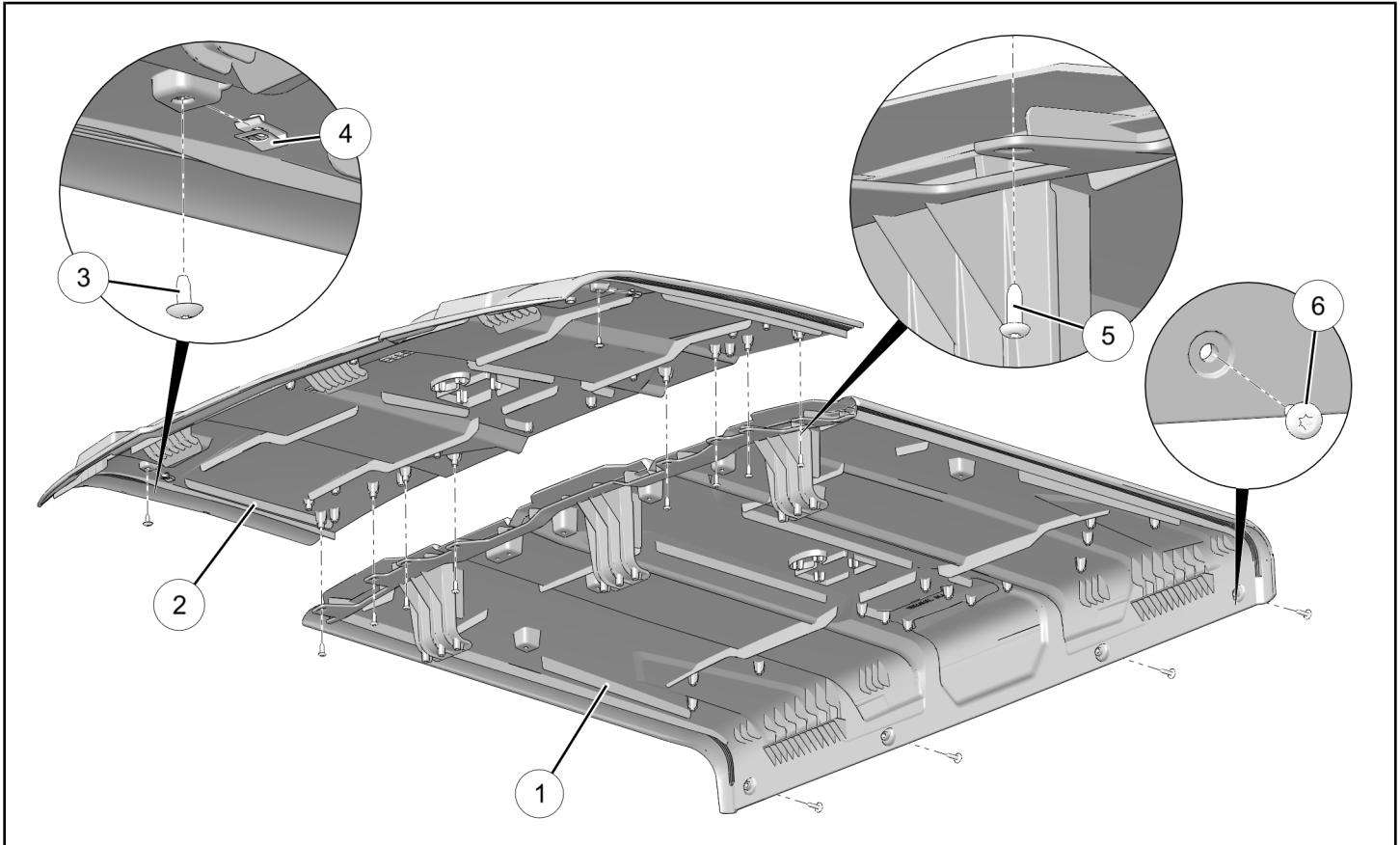
APPLICATION

Verify accessory fitment at [Polaris.com](https://www.polaris.com).

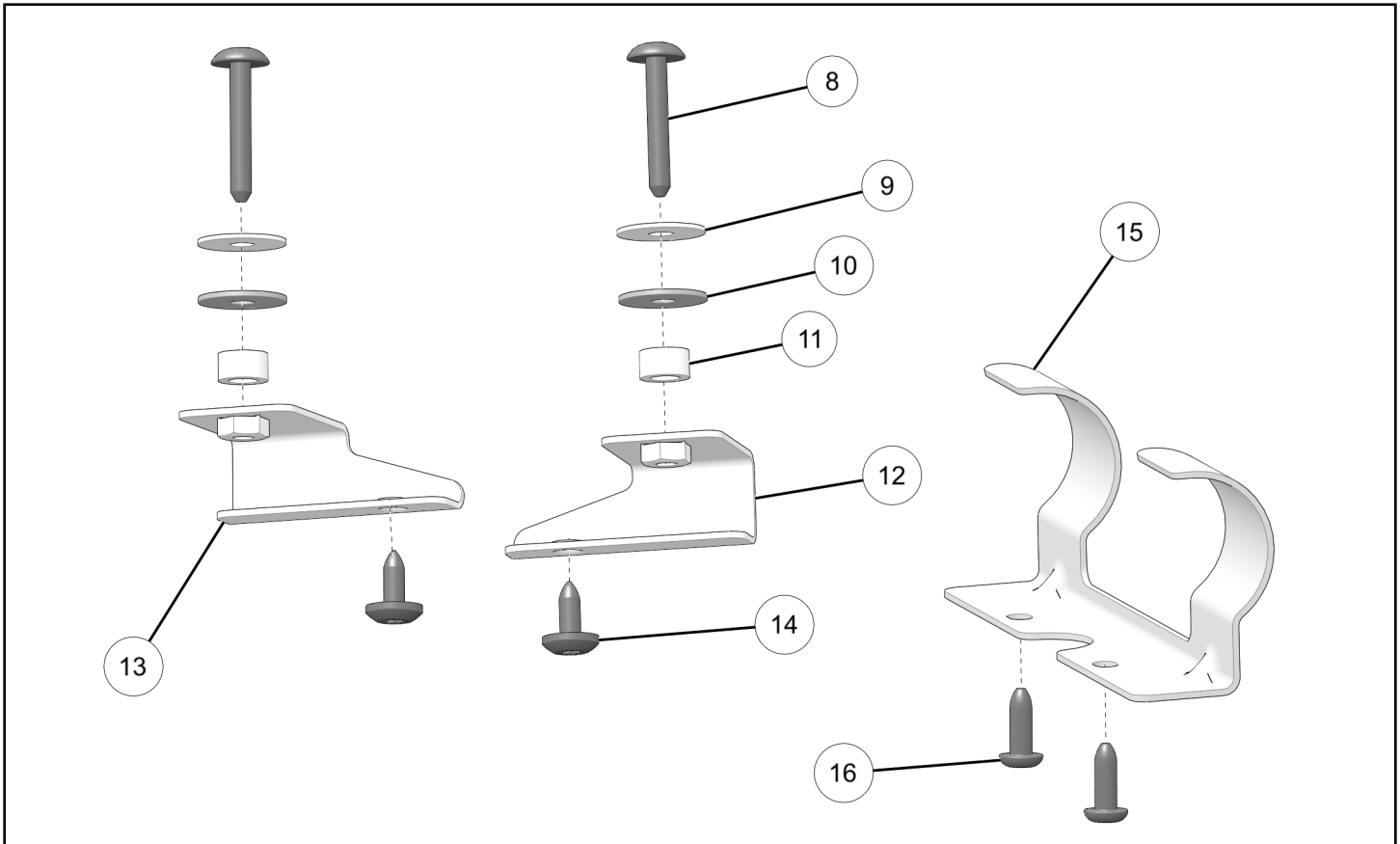
BEFORE YOU BEGIN

Read these instructions and check to be sure all parts and tools are accounted for. Please retain these installation instructions for future reference and parts ordering information.

KIT CONTENTS

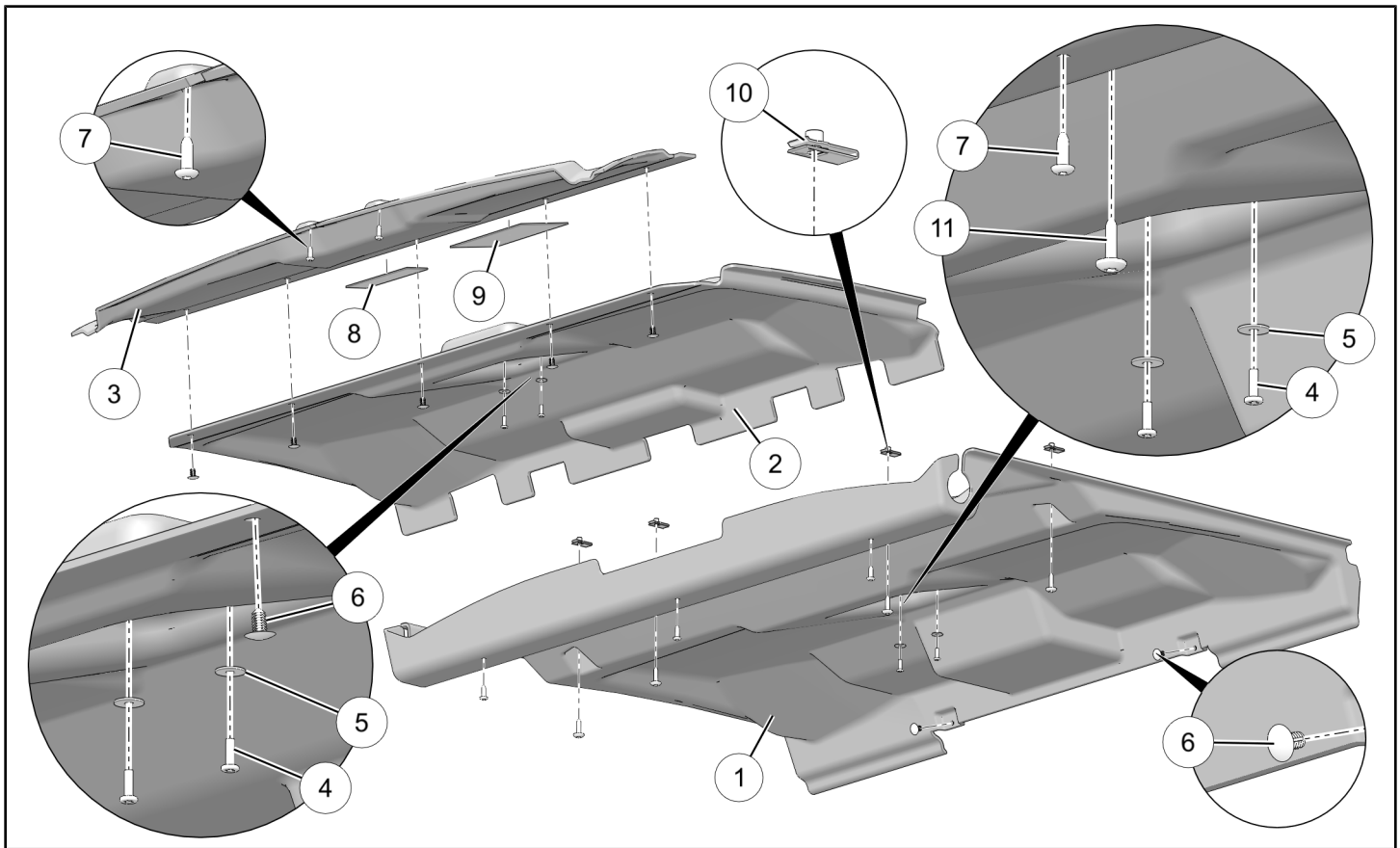


REF	QTY	PART DESCRIPTION	P/N AVAILABLE SEPARATELY
1	1	Panel-Roof, Rear	n/a
2	1	Panel-Roof, Front	n/a
3	2	Screw-Torx® Truss Head, M6 x 1.0 x 15 mm (kit 2883274 only)	7519092
4	2	Nut-Clip (kit 2883274 only)	7081657
5	8	Screw-Torx® Truss Head, M5 x 25 mm	7527826
6	4	Screw-Torx® Truss Head, M6 x 1.0 x 25 mm	7519650
7	1	Roof Seal Kit (not shown)	2883276



REF	QTY	PART DESCRIPTION	P/N AVAILABLE SEPARATELY	AVAILABLE SERVICE KIT
8	2	Screw-Torx® Truss Head, M6 x 1.0 x 40 mm (kit 2883277 only)	n/a	2208130
9	2	Washer-Steel, 0.281 x 1.00 x 0.051 mm (kit 2883277 only)	n/a	2208130
10	2	Washer-Rubber, 7.1 x 25.4 x 1.6 mm (kit 2883277 only)	n/a	2208130
11	2	Spacer, 0.34 ID x 0.56 OD x 0.31 mm (kit 2883277 only)	n/a	2208130
12	1	Bracket-Internal ROPS, Left (kit 2883277 only)	n/a	2208130
13	1	Bracket-Internal ROPS, Right (kit 2883277 only)	n/a	2208130
14	2	Screw-Torx® Truss Head, M6 x 1.0 x 16 mm (kit 2883277 only)	n/a	2208130
15	1	Bracket-Roof Support (kit 2883277 only)	5268194	n/a
16	2	Screw-Torx® Truss Head, High/Low, #14 x 3/4 in (kit 2883277 only)	7519045	n/a

Roof Kit PN 2883277 Only:



REF	QTY	PART DESCRIPTION	P/N AVAILABLE SEPARATELY
1	1	Liner-Roof, Rear	5814814
2	1	Liner-Roof, Middle	5814726
3	1	Liner-Roof, Front	5814774
4	4	Screw-Torx® Pan Head, High/Low, #10 x 5/8 in	7518238
5	4	Washer, 0.20 x 0.67 x 0.048 mm	7556034
6	7	Clip-Plastic Dart	7670088
7	5	Screw-Torx® Truss Head, High/Low, #14 x 3/4 in	7519045
8	1	Decal-Warning, Payload	7189382
9	1	Decal-Warning, General Use	7188575
10	4	Clip-U, Speed Nut, M6 mm	7081657
11	4	Screw-Torx® Truss Head, M6 x 1.0 x 25 mm	7519650

TOOLS REQUIRED

- Safety Glasses
- Drill*
- Drill Bit: 5/16 inch (8 mm)*
- Screwdriver Set, Torx®
- Socket Set, Torx® Bit
- Torque Wrench

* Tool requirement dependent on specific installation.

IMPORTANT

Your Roof Kit is exclusively designed for your vehicle. Please read the installation instructions thoroughly before beginning. Installation is easier if the vehicle is clean and free of debris. For your safety, and to ensure a satisfactory installation, perform all installation steps correctly in the sequence shown.

INSTALLATION INSTRUCTIONS

PREPARATION

IMPORTANT

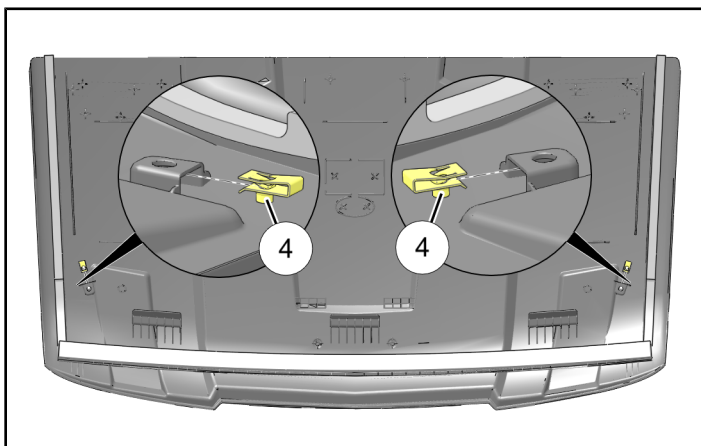
If also installing Visor Audio Kit PN 2882888 or 2882891 (sold separately), then Polaris recommends using THOSE Visor Audio Kit instructions as your primary installation guide. THESE Roof Kit instructions should be used as a secondary reference.

1. Shift vehicle transmission into "PARK". Turn ignition switch to "OFF" position and remove key.
2. Install Roof Seal Kit PN 2883276 (included) per separate instructions included in that kit.
3. Prepare front roof panel for installation.

Kit 2883274 Only:

Install two clip nuts ④ to standoffs at front of roof panel ①. Ensure proper orientation: Threaded portion of clip nut is located INSIDE standoff.

When complete proceed to next section, **INSTALL ROOF PANELS.**



Kit 2883277 Only:

IMPORTANT

Visor Audio Kits PN 2882888 / 2882891 and Roof Kit PN 2883277 all contain roof support brackets ⑫ and ⑬, plus associated hardware. If installing a Visor Audio Kit **AND** Roof Kit PN 2883277, then only **ONE** set of support brackets (LH/RH) need to be installed. The remaining set can be discarded.

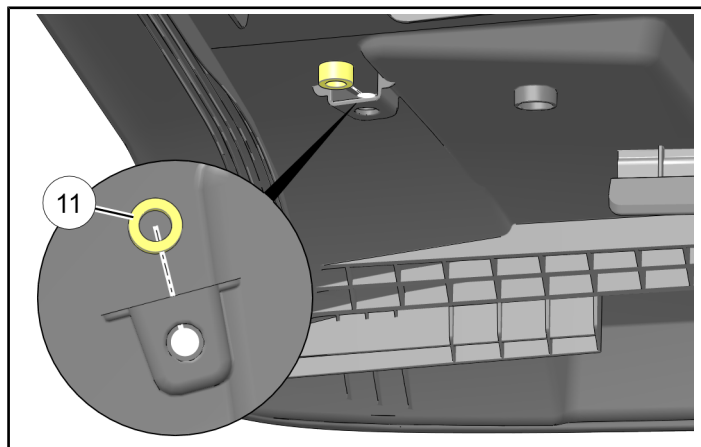
NOTE

Roof seals not shown in following images.

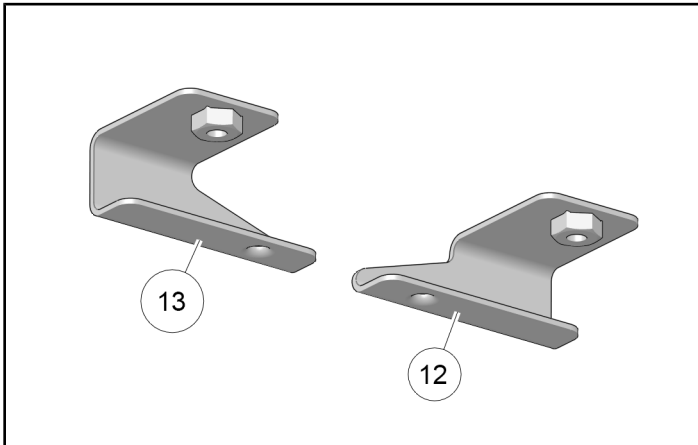
- a. Insert spacer ⑪ into each standoff. Use tape to prevent spacer from falling out of standoff during roof installation.

NOTE

LH side shown; RH side opposite.



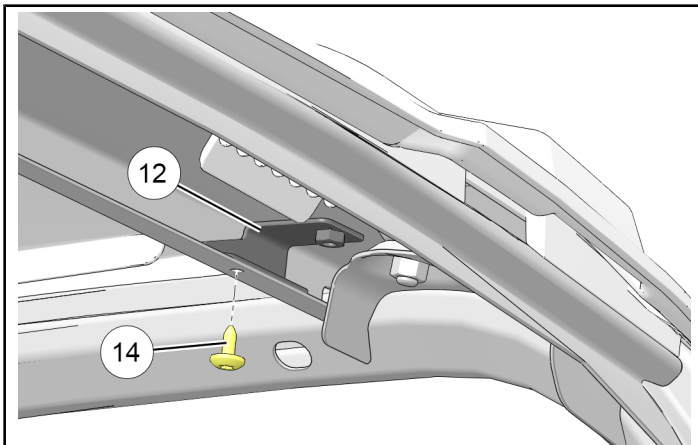
- b. Identify LH internal ROPS bracket ⑬ and RH internal ROPS bracket ⑭.



- c. Install LH internal ROPS bracket ⑫ to visor using screw ⑭. Tighten screw. Repeat for RH side using RH internal ROPS bracket ⑬.

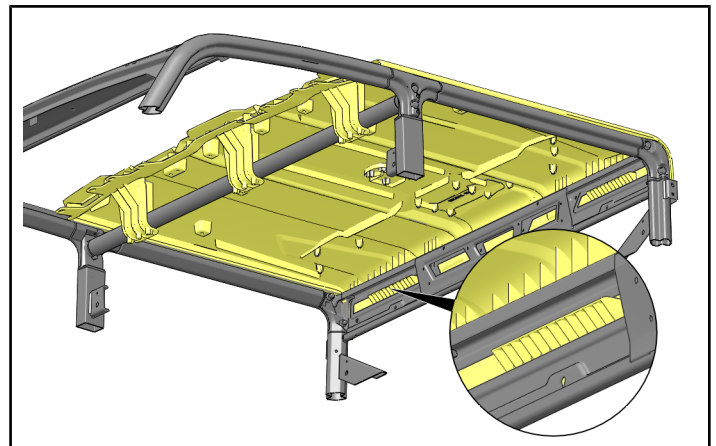
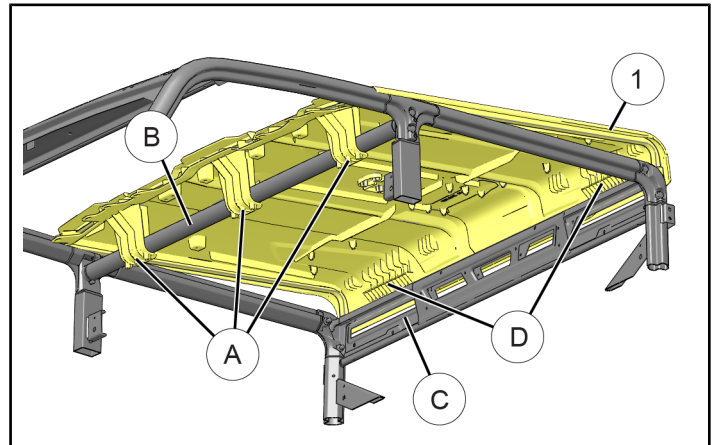
NOTE

LH side shown; RH side opposite.

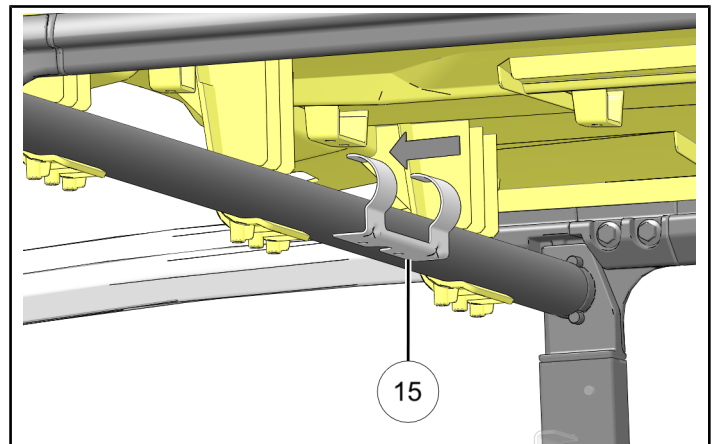


INSTALL ROOF PANELS

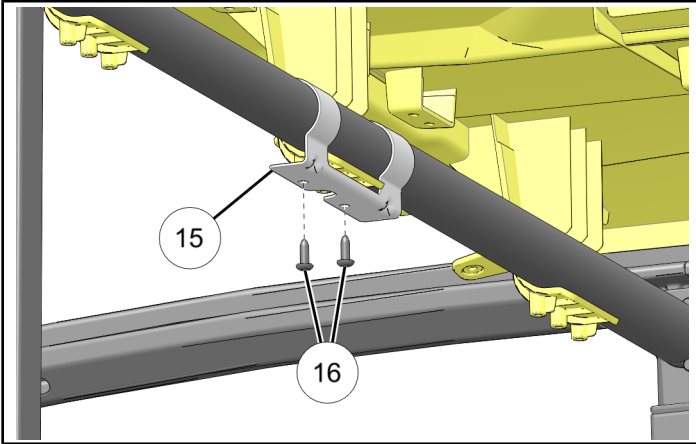
1. Hold rear panel ① at slight angle above ROPS as shown. Snap three hooks ① into B-pillar cross member ②. Lower rear of panel, snapping two tabs ④ into C-pillar cross member ③.



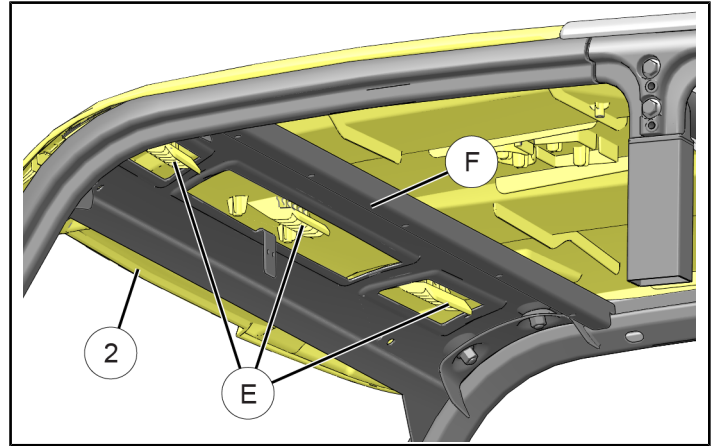
2. Put roof support bracket ⑮ over ROPS and align with middle roof hook.



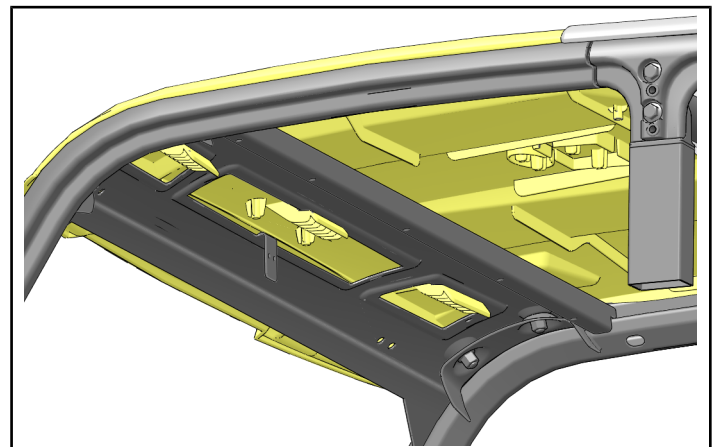
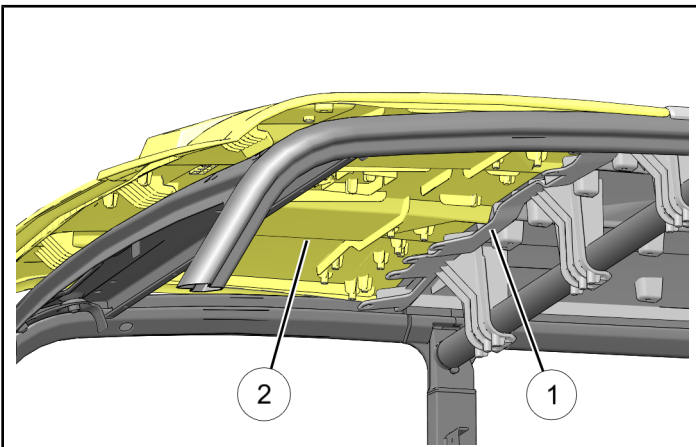
3. Install roof support bracket ⑮ to ROPS and roof hook with two screws ⑯. Tighten screws until fully seated.



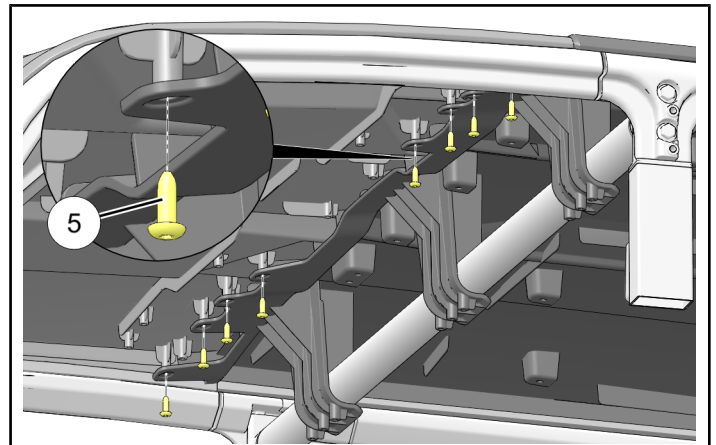
5. Lower front of panel ②, inserting three hooks ④ through openings in ROPS visor ⑥, then slide panel rearward until hooks lock into visor.



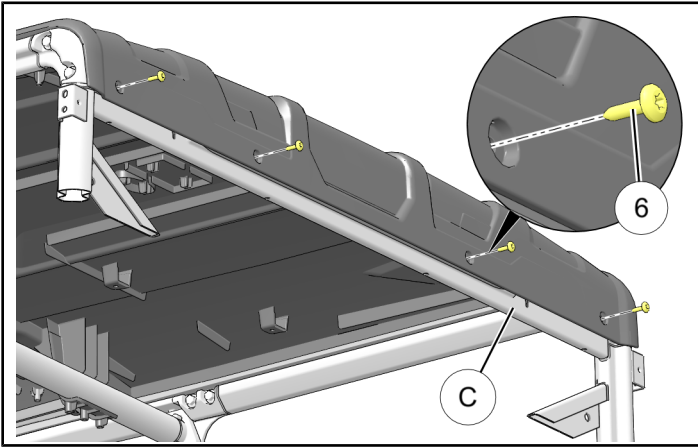
4. Hold front panel ② at slight angle above ROPS as shown. Insert rear edge of front panel ② into channel on front edge of rear panel ①.



6. Secure rear panel ① to front panel ② using eight screws ⑤.



7. Secure rear panel ① to C-pillar cross member C using four screws ⑥.

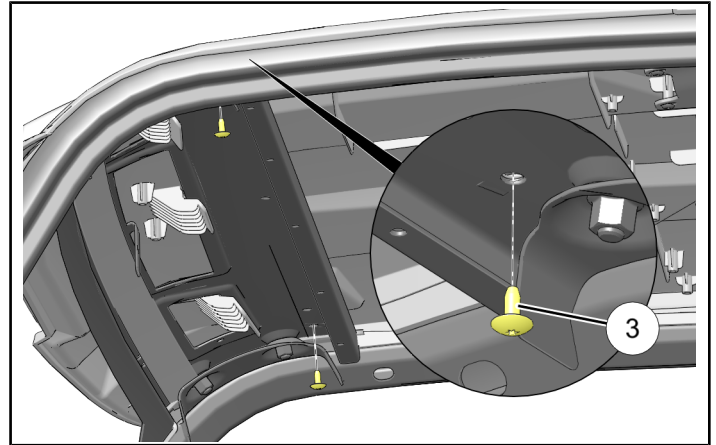


8. Secure front panel ② to ROPS visor.

Kit 2883274 Only:

Secure front panel to visor using two screws ③.

When complete proceed to next Step 7.



Kit 2883277 Only:

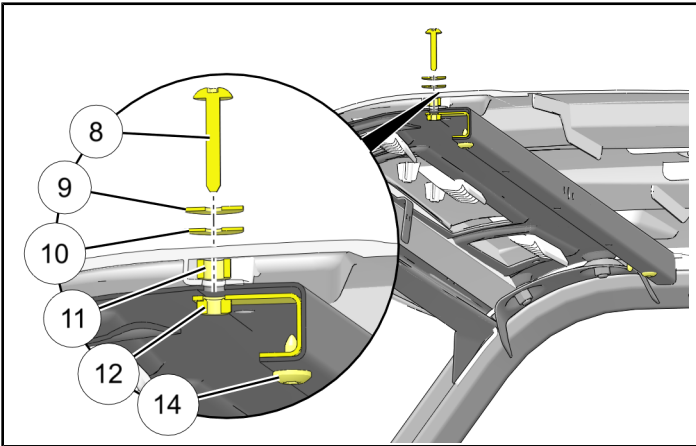
Loosely install screw ⑧, steel washer ⑨, and rubber washer ⑩ into roof, through spacer ⑪, into ROPS brackets ⑫ or ⑬ as applicable.

Ensure steel washer is against screw head, rubber washer is against roof, and screw passes through spacer.

Repeat for opposite side.

NOTE

LH side sectional view shown; RH side opposite.
Screw ⑭ shown for reference only.



9. Torque screws to specification (as applicable to your kit).

TORQUE

#14 screws ⑤: 20 in. lbs. (2.3 Nm) ± 10%
M6 screws ③, ⑥, and ⑧: 42 in. lbs. (4.7 Nm) ± 10%

⚠ WARNING

If transporting vehicle in non-enclosed trailer then vehicle must **FACE FORWARD**, or roof must be removed.

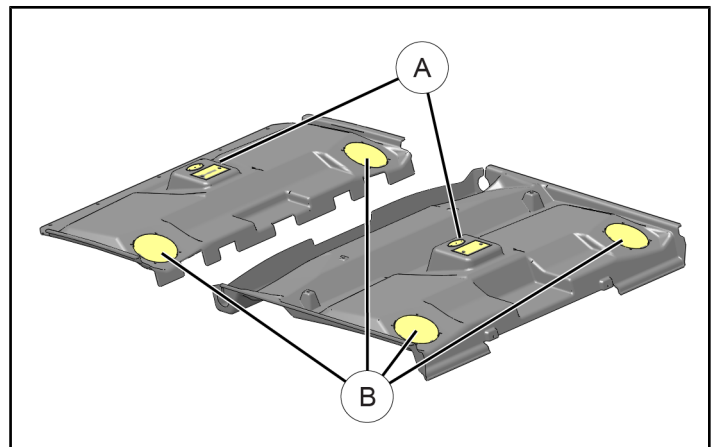
Failure to comply may allow airflow, vibration, or other factors to separate roof from vehicle and cause an accident, resulting in serious personal injury or death.

INSTALL ROOF LINERS

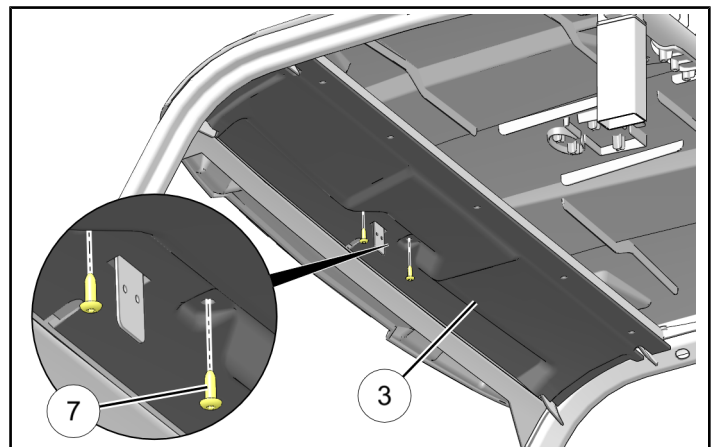
NOTE

This section only applicable to Roof Kit PN 2883277.

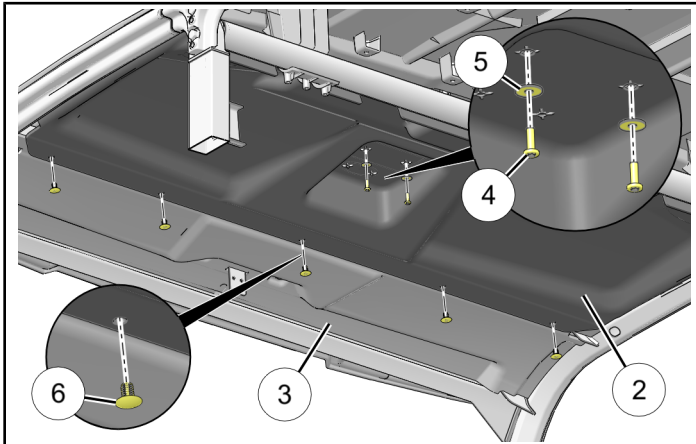
1. OPTIONAL: If installing interior light and/or rear speakers (accessories sold separately), then modify mid liner ② and/or rear liner ① as follows:
 - Light: Cut oval or rectangular opening ④ (as required) to accommodate light. Install light and electrical harness per instructions included with accessory.
 - Speakers: Cut circular openings ⑤ (as required) and open associated fastener holes. Install speakers and electrical harness per instructions included with accessory.



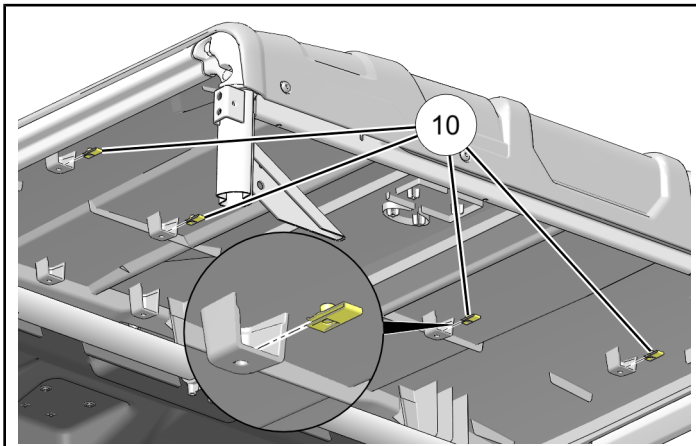
2. Loosely install front liner ③ to ROPS visor using two screws ⑦.



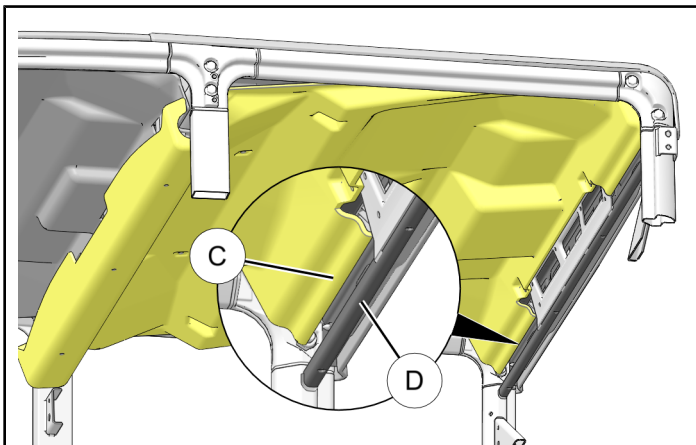
- If installing optional light, then refer to instructions included with light. Otherwise, loosely install two each screws ④ and washers ⑤ through mid liner ② into roof panel.



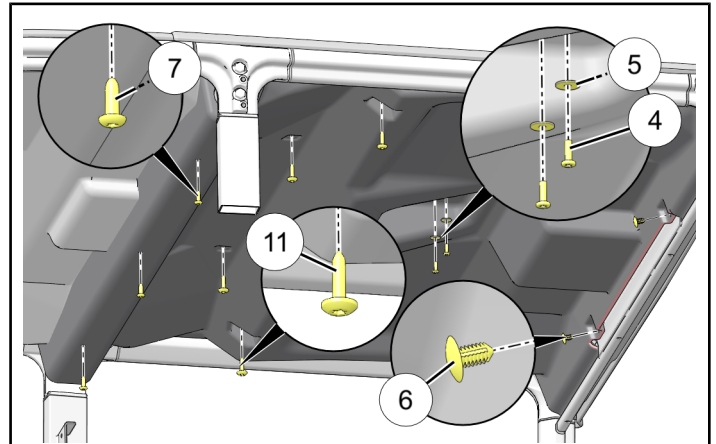
- Install mid liner ② to front liner ③ and ROPS visor using five push darts ⑥.
- Install four clip nuts ⑩ to standoffs in rear roof panel. Ensure proper orientation: Threaded portion of clip nut is located INSIDE standoff.



- Insert rear edges ③ of rear liner ① into roof support channel ④, then tip liner up, inserting LH and RH sides of liner between ROPS and roof seal.



- If installing optional light, then refer to instructions included with light. Otherwise, loosely install two each screws ④ and washers ⑤ through rear liner ① into roof.



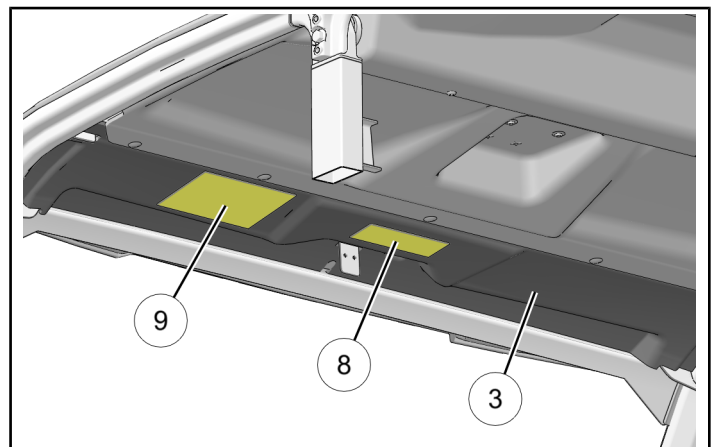
- Secure rear liner ② by loosely installing three screws ⑦ along B-pillar cross-member, four screws ⑪, and two push darts ⑥ into C-pillar cross-member.
- Tighten all liner screws ④, ⑦, and ⑪. Do not overtighten screws.
- Decal application.

IMPORTANT

Decals required per ANSI/ROHVA standards.

MY18 and newer RANGER XP® 1000

Apply payload decal ⑧ and general use decal ⑨ to front liner ③ as shown.



MY19 and older RANGER XP® 900

All required decals are applied to vehicle from factory. Decals ⑧ and ⑨ are not used.

- If installing optional rear speakers, then refer to instructions included with speakers.

FEEDBACK FORM

A feedback form has been created for the installer to provide any comments, questions or concerns about the installation instructions. The form is viewable on mobile devices by scanning the QR code or by clicking [HERE](#) if viewing on a PC.

