

# RANGER® 150 EFI POLY ROOF KIT



**P/N 2883289**

## APPLICATION

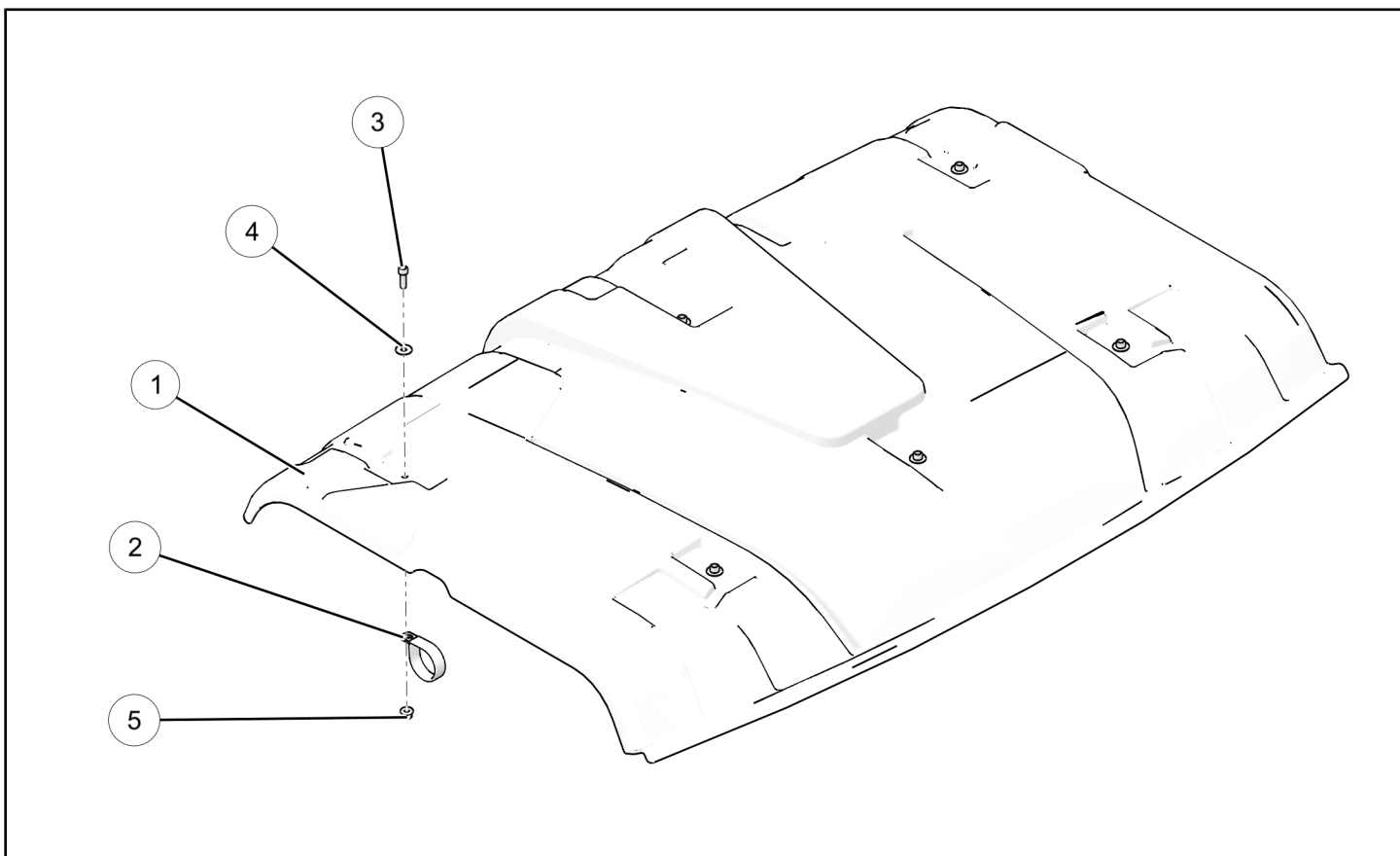
Verify accessory fitment at [Polaris.com](http://Polaris.com).

## BEFORE YOU BEGIN

Read these instructions and check to be sure all parts and tools are accounted for. Please retain these installation instructions for future reference and parts ordering information.

## KIT CONTENTS

Items marked (\*) are included in Hardware Kit PN 2207428.



REF	QTY	PART DESCRIPTION	PART NUMBER
1	1	Roof - Poly, MZ	5454692
2	6	P-Clamp, 1.5", Rubber Dipped	*
3	6	Screw - M6 X 1.0 X 20	*
4	6	Locking Nut - M6 X 1.0	*
5	6	Flat Washer - M6	*
6	1	Hardware Kit (Includes Items 2-5)	2207428
7		Adhesive Backed Foam Pads	
	1	Instructions	9928539

## TOOLS REQUIRED

- Safety Glasses
- Socket Set, Hex Bit, Metric
- Socket Set, Metric
- Torque Wrench
- Wrench Set, Metric

## IMPORTANT

Your Ranger® 150 EFI Poly Roof Kit is exclusively designed for your vehicle. Please read the installation instructions thoroughly before beginning. Installation is easier if the vehicle is clean and free of debris. For your safety, and to ensure a satisfactory installation, perform all installation steps correctly in the sequence shown.

## ASSEMBLY TIME

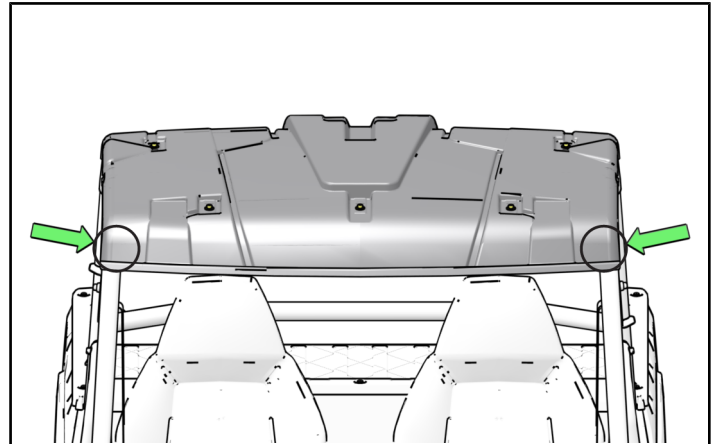
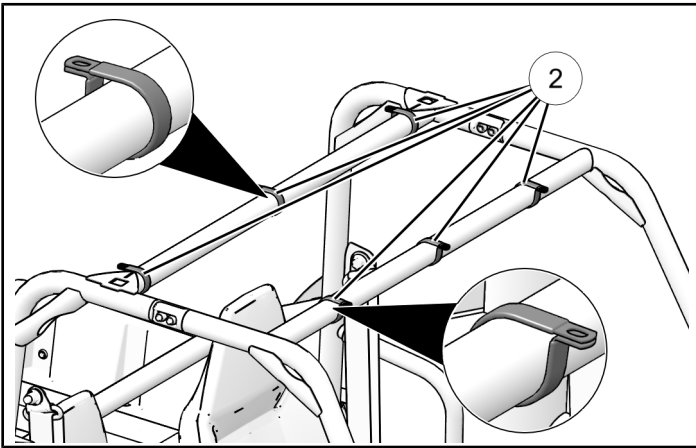
Approximately 12 minutes

### NOTE

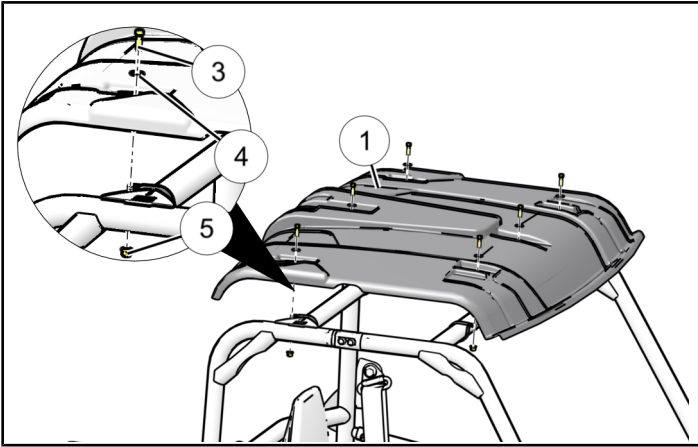
Additional time may be required for optional steps, or to accommodate other accessories.

## INSTALLATION INSTRUCTIONS

1. Shift vehicle transmission into “PARK”. Turn ignition switch to “OFF” position and remove key.
2. Place the six provided P-Clamps ② into the approximate locations indicated making sure they are orientated with the rear most clamps facing rearward and the front most clamps facing forward as shown.
3. Install provided adhesive backed foam pads (not shown) to the INTERIOR side of the poly roof in any location where the edge of the poly roof may come in contact with the ROPS tubes such as the two example locations indicated below. The provided pads will assist in limiting excessive rattling noise between the cab and ROPS tubes.



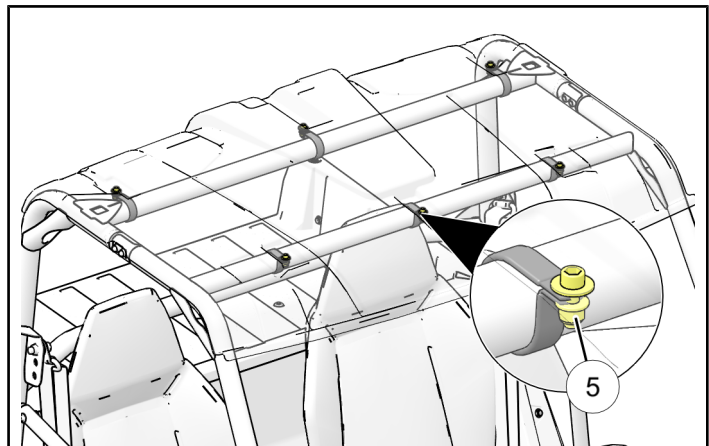
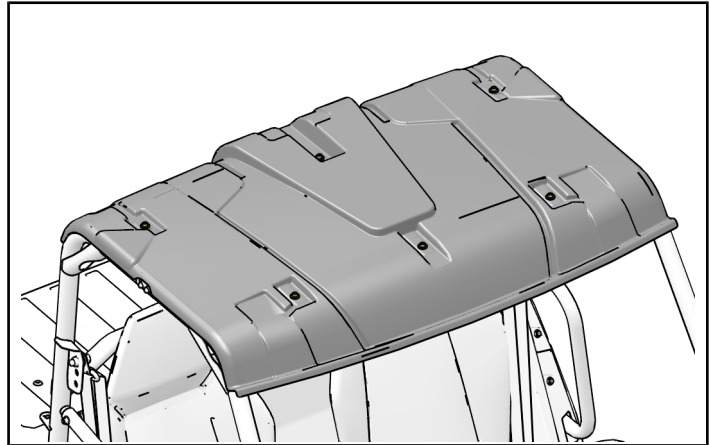
4. Install the roof ① by placing it on top of the upper ROPS tubes and lining up all P-Clamp mounting holes with the pre-drilled mounting holes in the roof panel. Once aligned, insert mounting hardware ③/④/⑤ as shown and start each locking nut by hand to temporarily hold into position.



5. Once all mounting hardware is in place, torque lock nuts ⑤ to specification provided.

**TORQUE**  
6 ft. lbs (8.1 Nm)

**IMPORTANT**  
Make sure to rotate clamps up to contact the roof before tightening. If the roof begins to deform during tightening, loosen the fastener and rotate the clamp more closely to the roof to prevent deforming the roof.



6. Ensure all tools are accounted for and all steps have been completed.

## FEEDBACK FORM

A feedback form has been created for the installer to provide any comments, questions or concerns about the installation instructions. The form is viewable on mobile devices by scanning the QR code or by clicking [HERE](#) if viewing on a PC.

### FEEDBACK FORM

