

# IN-CAB GUN MOUNT KIT



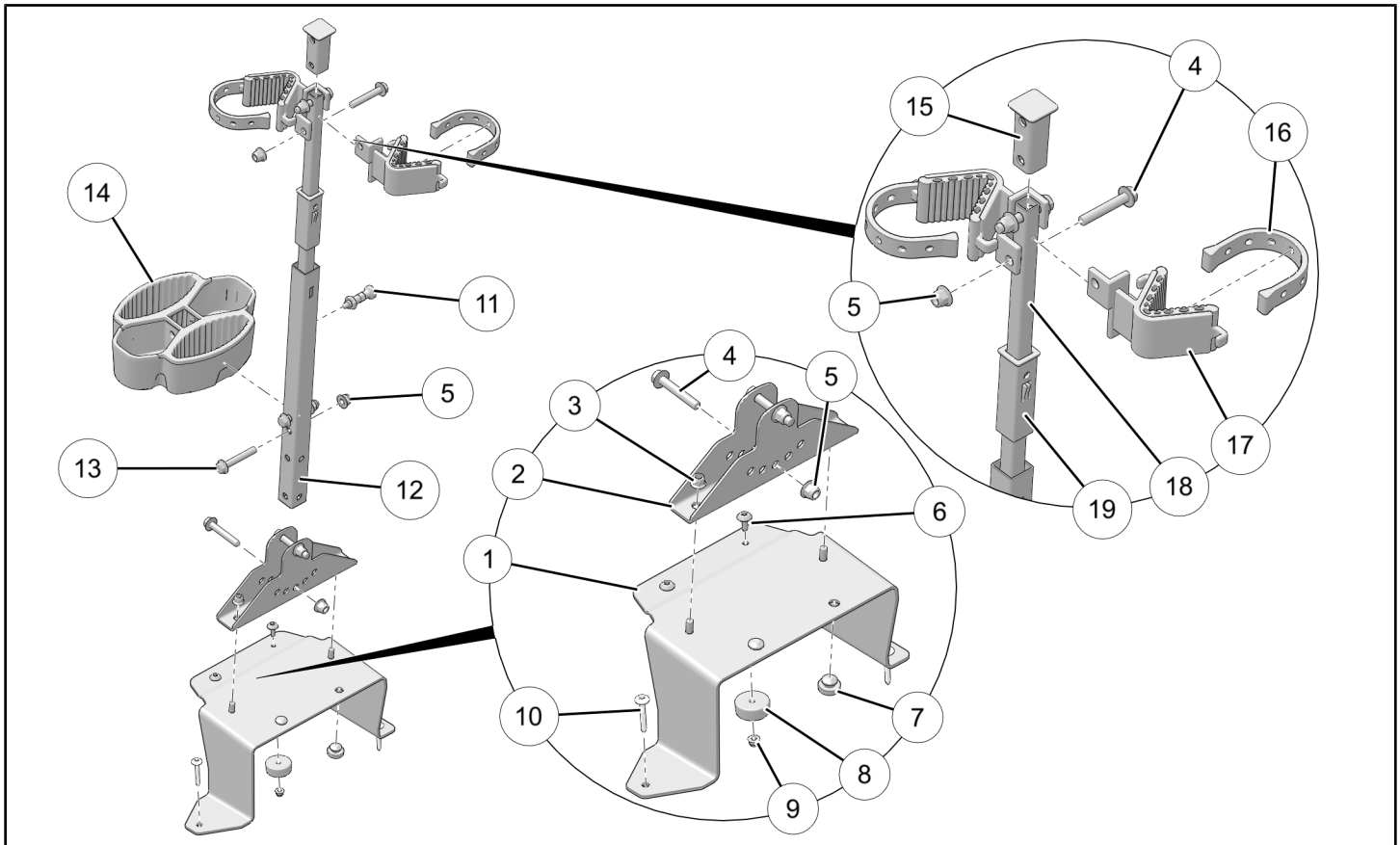
P/N 2883263

## BEFORE YOU BEGIN

Read these instructions and check to be sure all parts and tools are accounted for. Please retain these installation instructions for future reference and parts ordering information.

## KIT CONTENTS

This Kit includes:



REF	QTY	PART DESCRIPTION	PART NUMBER
1	1	Bracket, Floor	1023757
2	1	Bracket, Pivot	-
3	2	Nut, Hex Flange, Locking - M8 X 1.25	7547332
4	4	Screw, Hex Flange - M10 X 1.5 X 60	7518826
5	6	Nut, Hex Flange, Locking - M10 X 1.5	7547313
6	2	Screw, Torx® Truss Head - M6 X 1.0 X 20	7519112
7	2	Bumper, Rubber (with knob)	5412067
8	2	Bumper, Rubber (with through-hole)	-
9	2	Nut, Hex Flange, Locking - M6 X 1.0	7547453
10	2	Screw, Torx® Truss Head, Self-Tapping - M6 X 1.0 X 50	7519841

REF	QTY	PART DESCRIPTION	PART NUMBER
11	1	Pin Assembly, Spring	-
12	1	Tube, Outside (Lower)	-
13	2	Screw, Hex Flange - M10 X 1.5 X 65	7519903
14	1	Holder, Gun Butt	-
15	1	Cap, Inside Tube	-
16	2	Belt, Gun Forearm	-
17	2	V-Clamp, Gun Forearm	-
18	1	Tube, Inside (Upper)	-
19	1	Bushing	5450250
20	1	Rivet, Push Pin (not shown)	7661855

## TOOLS REQUIRED

- Safety Glasses
- Drill
- Drill Bit: 5/16 inch (8 mm)
- Pliers, Push Pin Rivet
- Screwdriver Set, Torx®
- Socket Set, Metric
- Wrench Set, Metric

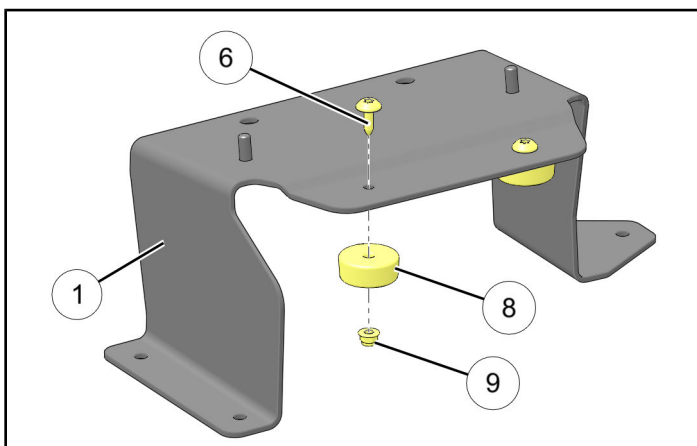
## IMPORTANT

Your In-Cab Gun Mount Kit is exclusively designed for your vehicle. Please read the installation instructions thoroughly before beginning. Installation is easier if the vehicle is clean and free of debris. For your safety, and to ensure a satisfactory installation, perform all installation steps correctly in the sequence shown.

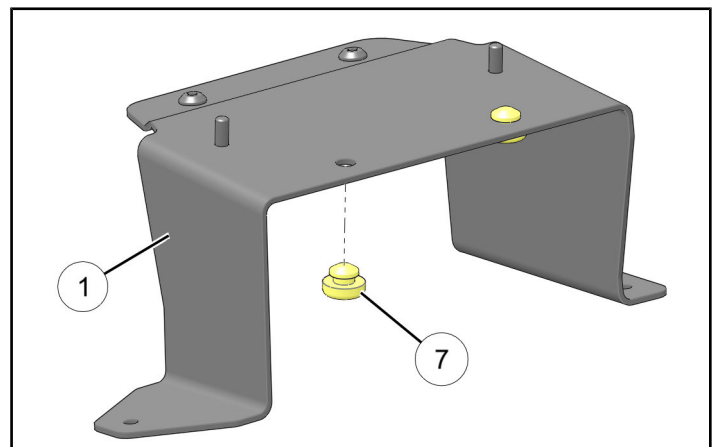
## INSTALLATION INSTRUCTIONS

### ASSEMBLE FLOOR BRACKET

1. Shift vehicle transmission into "PARK". Turn ignition switch to "OFF" position and remove key.
2. Install rubber bumper ⑧ to FRONT end of floor bracket ① using screw ⑥ and nut ⑨. Tighten nut. Repeat for opposite side.

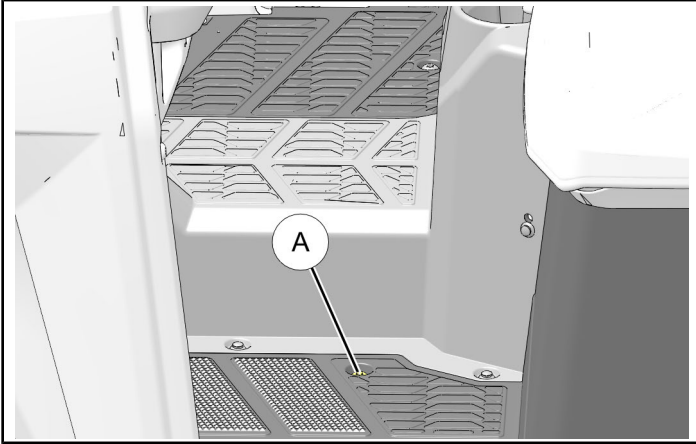


3. Install rubber bumper ⑦ to REAR end of floor bracket ① by pushing button-end up through hole. Repeat for opposite side.

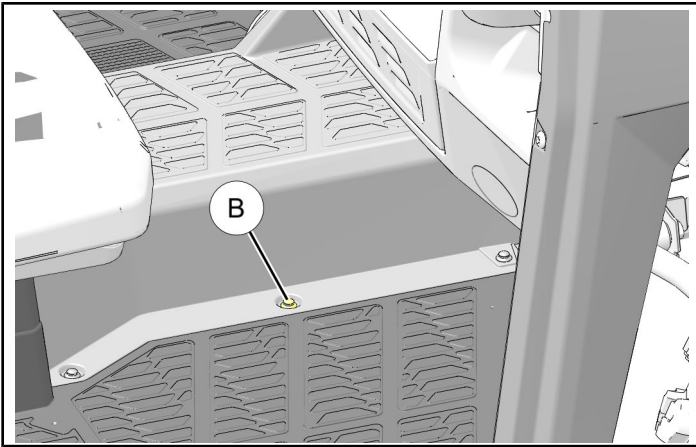


## INSTALL FLOOR BRACKET – RANGER XP® 1000, RANGER CREW® XP 1000

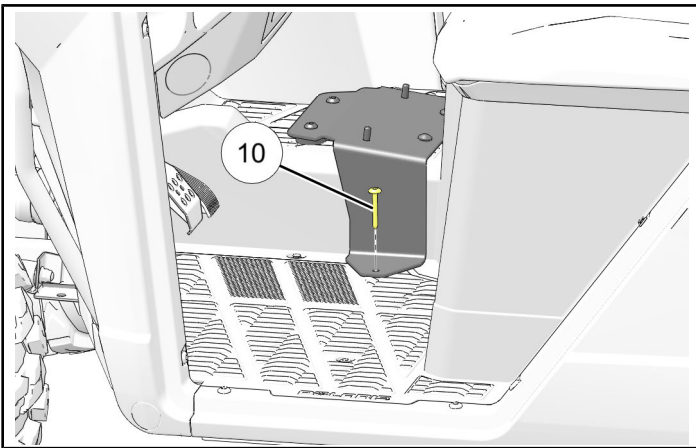
1. Remove screw **A** from LH floor liner. Screw will not be reused.



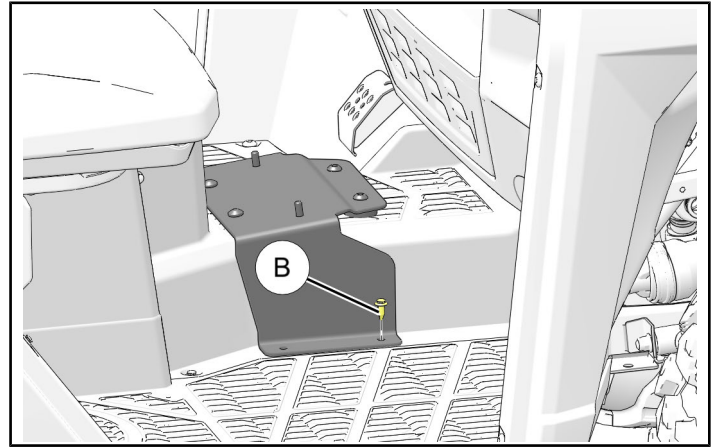
2. Remove push pin rivet **B** from RH side of center floor console. Retain rivet.



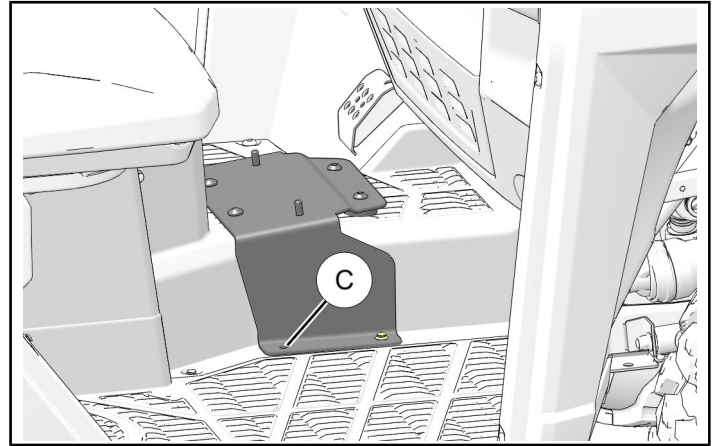
3. Temporarily install LH side of floor bracket **1** to vehicle using screw **10**.



4. Temporarily install RH front side of floor bracket **1** to vehicle using retained push pin rivet **B**.



5. Using floor bracket **1** as template, mark location of rear hole **C** on RH side of center floor console.

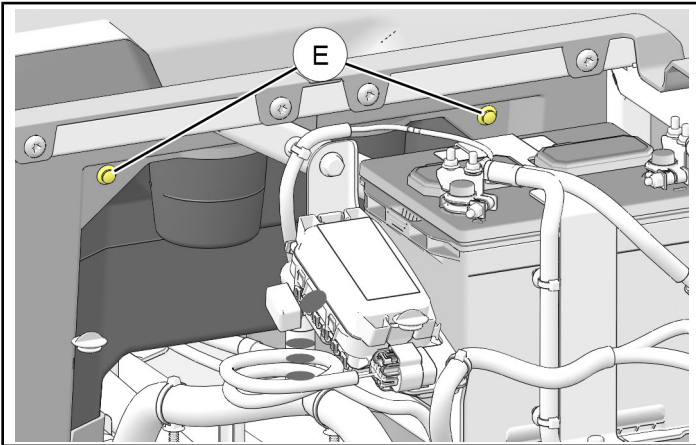
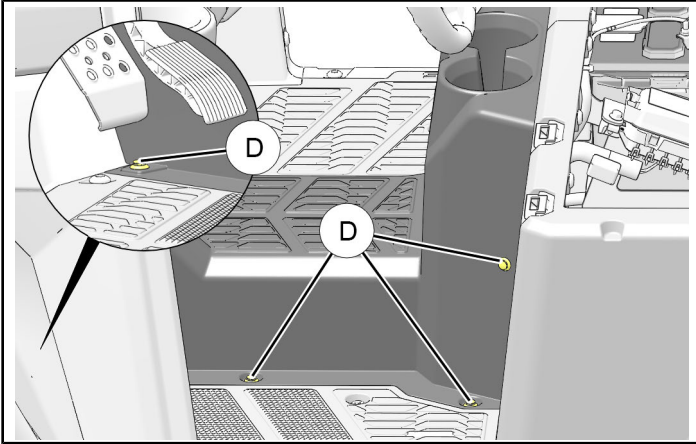


6. Remove floor bracket **1** by removing screw **10** from LH side of bracket, and push pin rivet **B** from RH side of bracket. Retain screw and rivet.

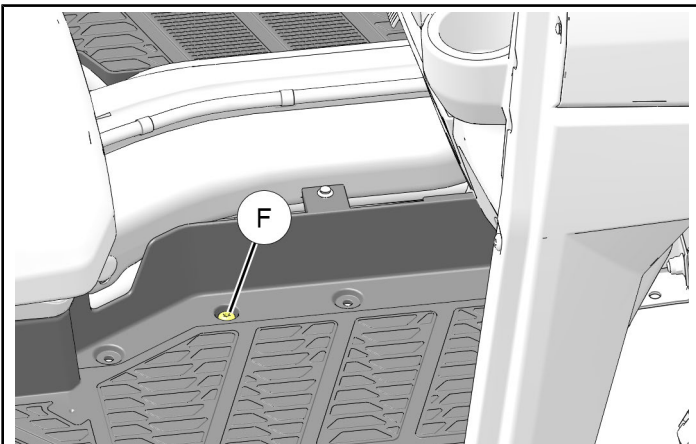
7. Remove four push pin rivets ① from LH side of center floor console, and three remaining push pin rivets from RH side of console.

Also remove two push pin rivets ② (if installed) from interior of underseat storage compartment.

Lift back of console, disengage tab at front of console, then remove console from vehicle.



8. Drill 5/16 inch (8 mm) hole through center floor console at marked location. See Step 5.
9. Remove screw ③ from RH floor liner. Screw will not be reused.

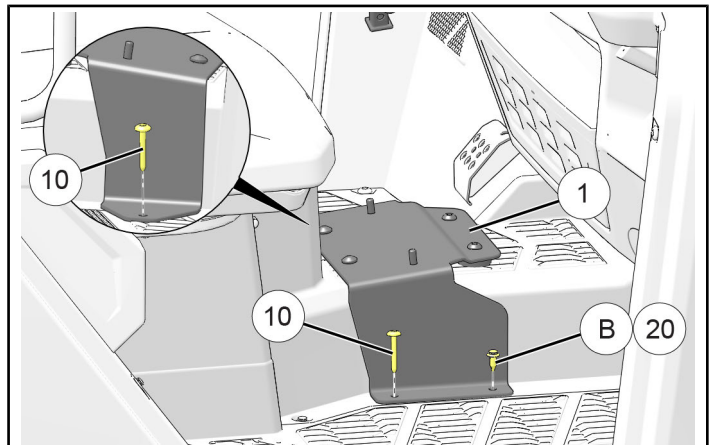


10. Reinstall center floor console by engaging tab at front of console, then lowering back of console. Do not secure console with push pin rivets ①, ② or ③ at this time.

11. Reinstall floor bracket ④ over center floor console using screw ⑩ on LH side, screw ⑩ on RH rear side, and push pin rivet ⑤ on RH front side.

#### NOTE

If desired, push pin rivet ⑤ may be replaced with push pin rivet ⑥.



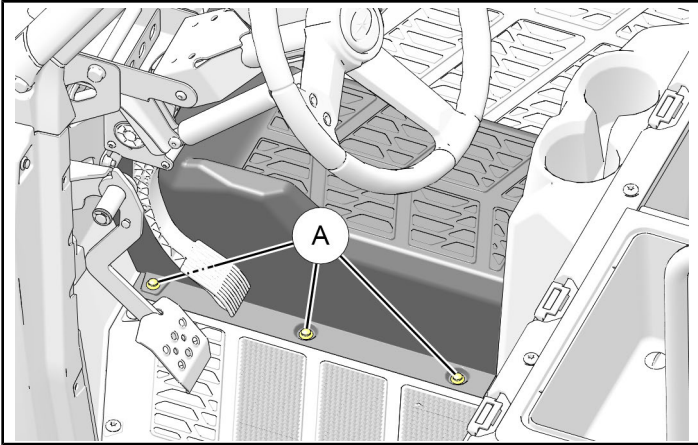
12. Reinstall seven retained push pin rivets ① (and two push pin rivets ②, if installed) to center floor console. See previous Step 7.
13. Tighten two screws ⑩.



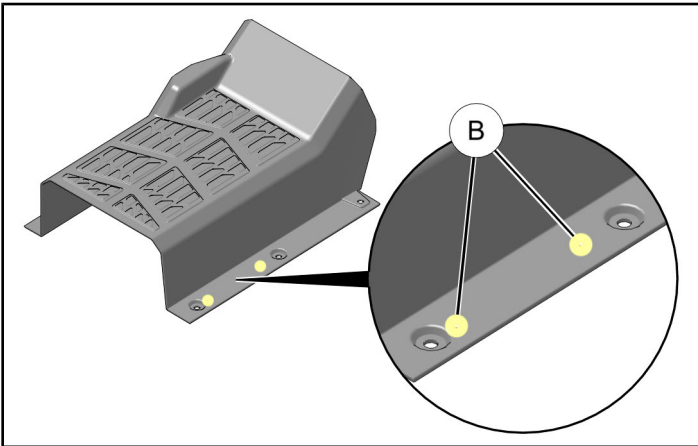
## INSTALL FLOOR BRACKET – RANGER® 1000, RANGER CREW® 1000

1. Remove three push pin rivets (A) from each side of center floor console.

Lift back of console, disengage tab from front, then remove console from vehicle. Retain rivets.



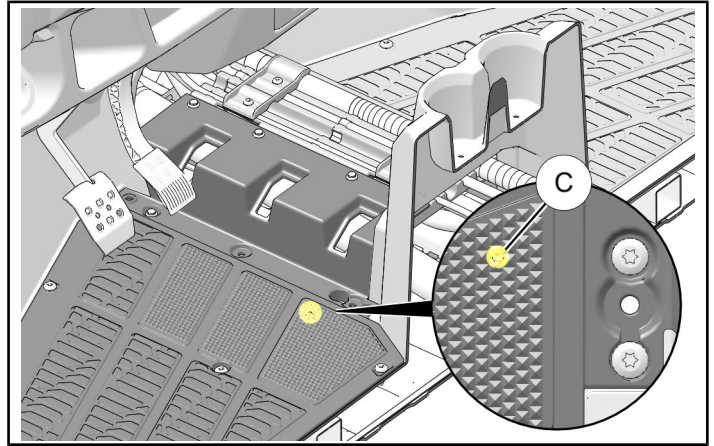
2. Drill two 5/16 inch (8 mm) holes through RH side of console at dimpled locations (B).



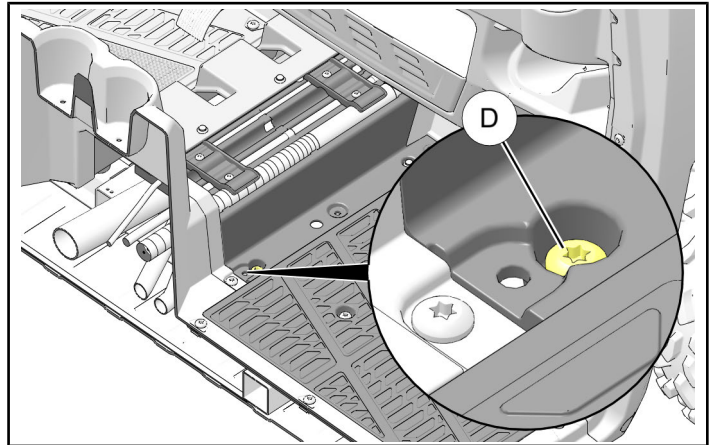
3. Drill 5/16 inch (8 mm) hole through LH floor liner at dimpled location (C).

### IMPORTANT

Only drill deep enough to penetrate liner and expose coin hole in structure below liner. Control drill depth to prevent damage to underlying structure.

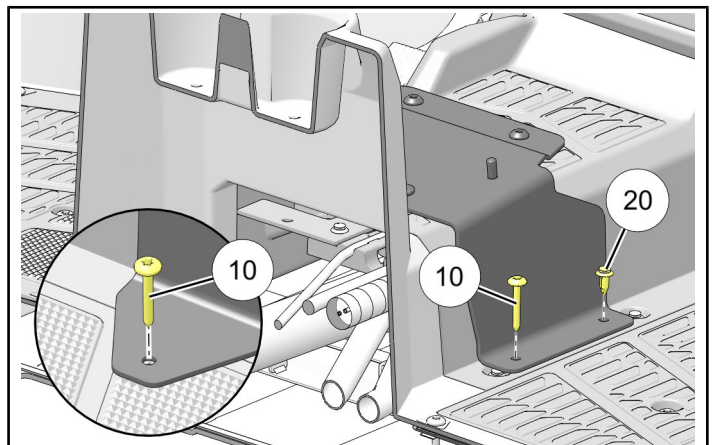


4. Remove and discard screw (D) from RH floor liner.



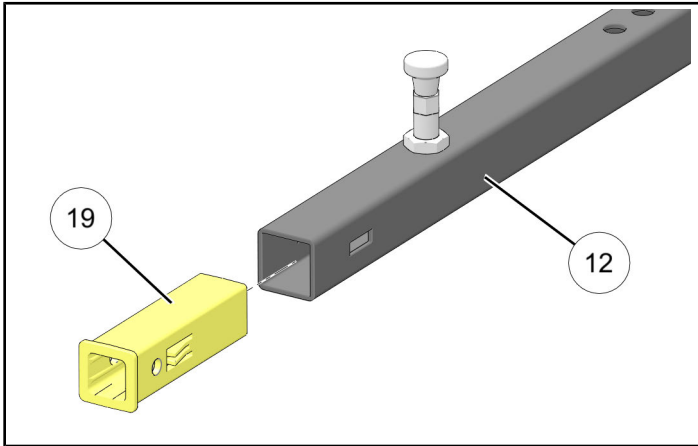
5. Reinstall center floor console by engaging tab at front of console, then lowering back of console. Secure using six retained push pin rivets (A).

6. Install floor bracket (1) using two screws (10) and push pin rivet (20).

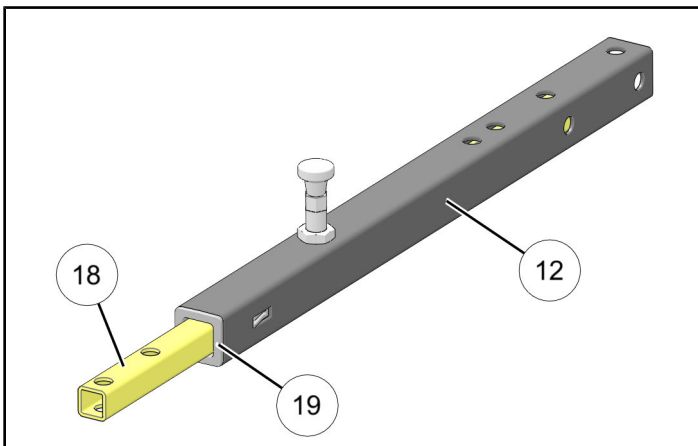
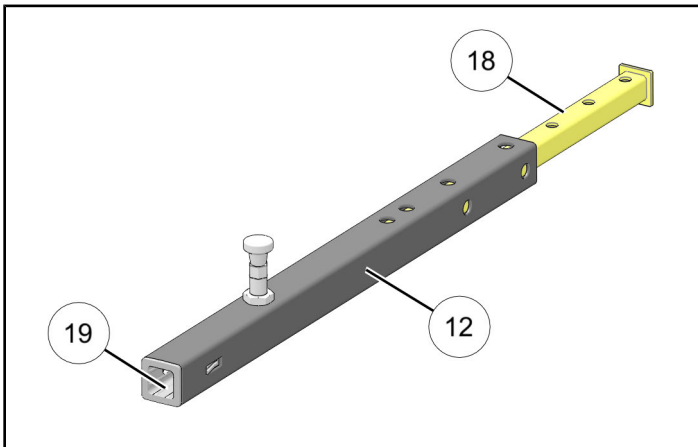


## ASSEMBLE AND INSTALL GUN HOLDER

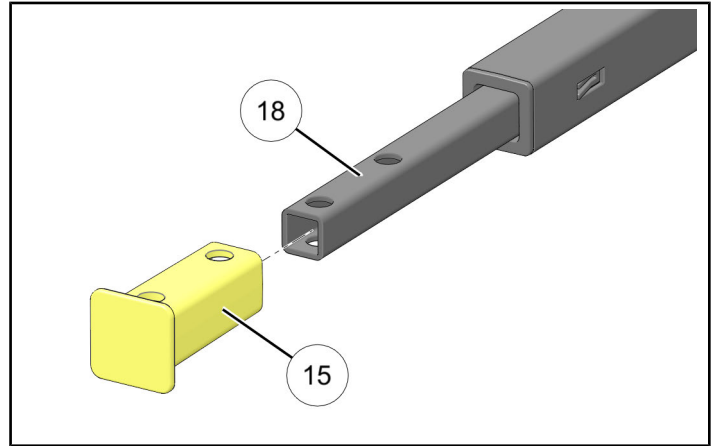
1. Insert bushing ⑰ into upper end of outside tube ⑫ until locking tabs on bushing fully engage mating slots in tube.



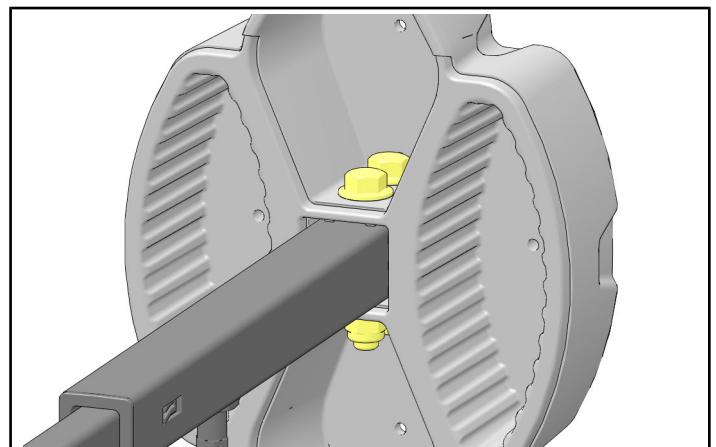
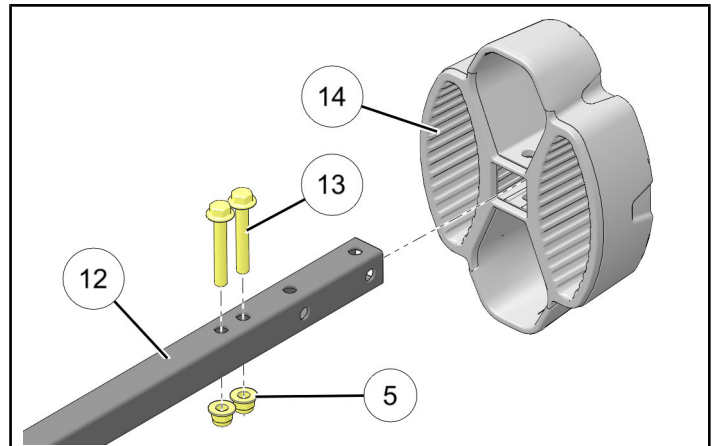
2. Insert inside tube ⑱ into lower end of outside tube ⑫. Push inside tube completely through outside tube, then out through bushing ⑰.



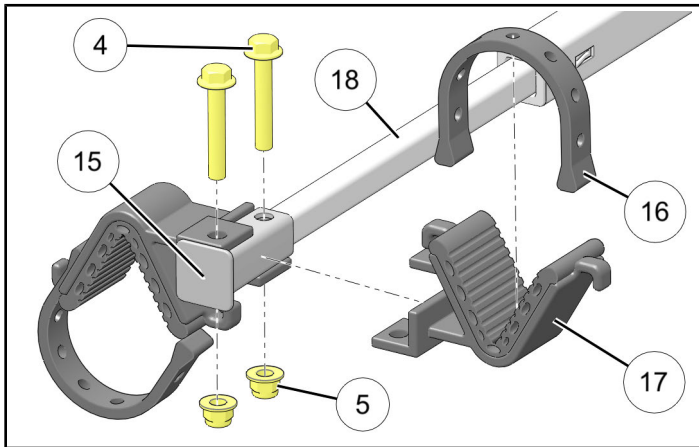
3. Install cap ⑮ to upper end of inside tube ⑱. Ensure cap is fully seated so screw holes are aligned.



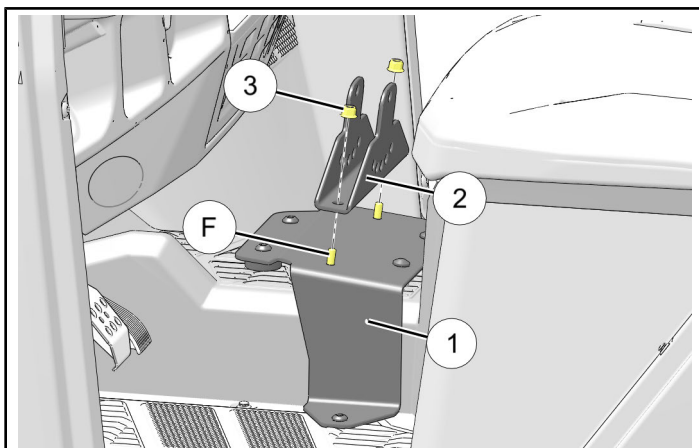
4. Install gun butt holder ⑭ to outside tube ⑫ using two each 65 mm screws ⑬ and nuts ⑤ as shown.



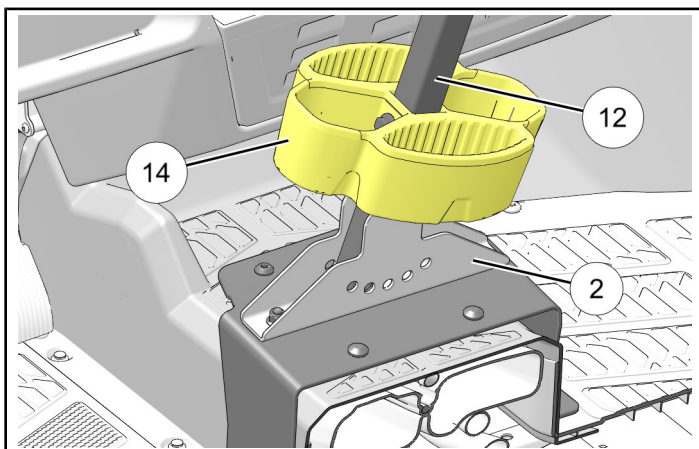
5. Install two V-clamps ⑰ to cap ⑮ and inside tube ⑱ using two each 60 mm screws ④ and nuts ⑤.



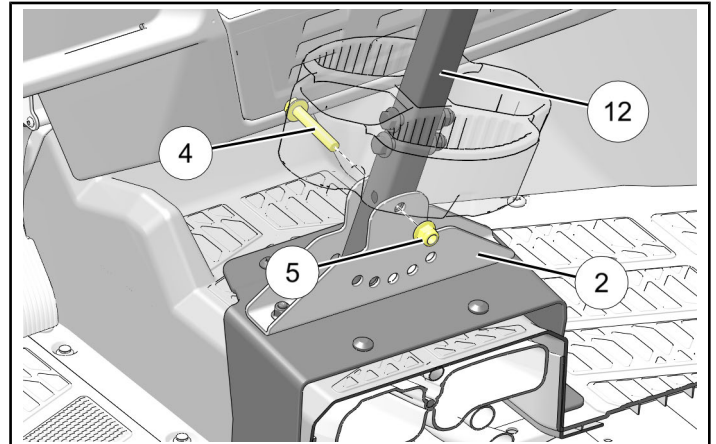
6. Attach gun forearm belt ⑯ to each V-clamp ⑰.
7. Install pivot bracket ② to studs F in base plate ① using two nuts ③.



8. Assemble outside tube to pivot bracket.
  - a. Insert lower end of outside tube ⑫ into pivot bracket ②. Ensure gun butt holder ⑭ is oriented as shown.



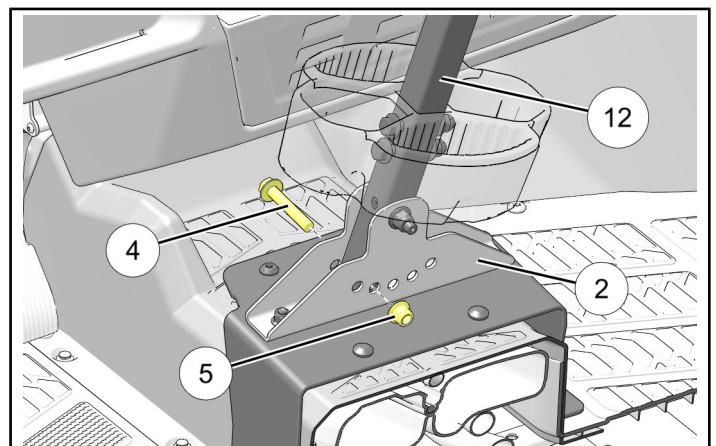
- b. Install 60 mm screw ④ through UPPER holes in pivot bracket ② and outside tube ⑫. Secure with nut ⑤, but do not tighten at this time.



**⚠ WARNING**

Adjust as required in next step to ensure mount does not interfere with vehicle operation or driver visibility. Failure to comply may cause an accident, resulting in serious personal injury or death.

- c. Pivot bracket ② has five LOWER holes for angle adjustment. Select a hole which ensures gun mount does not interfere with vehicle operation or driver visibility. Install 60 mm screw ④ through selected hole and outside tube ⑫. Secure with nut ⑤.

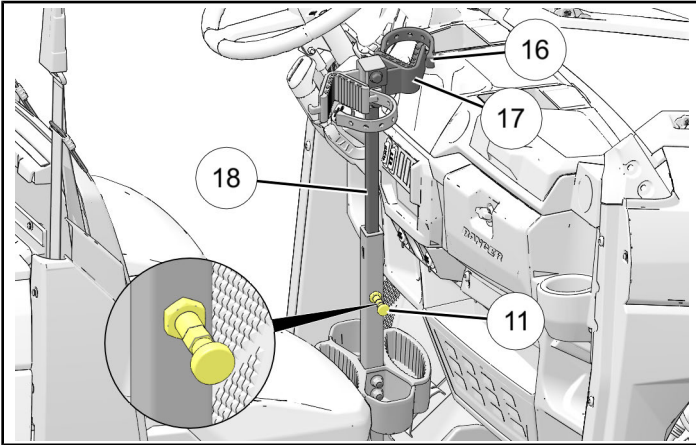


- d. Tighten both nuts ⑤.

- Adjust height of inside tube ⑱ using spring pin ⑪ to position V-clamp ⑰ at proper height for gun, then secure gun using belt ⑯.

#### NOTE

Four height positions are available.



## FEEDBACK FORM

A feedback form has been created for the installer to provide any comments, questions or concerns about the installation instructions. The form is viewable on mobile devices by scanning the QR code or by clicking [HERE](#) if viewing on a PC.

